

BATTERY SAFETY INFORMATION:

1. Non-rechargeable batteries are not to be recharged.
2. Rechargeable batteries are to be removed from the product before they are charged.
3. If removable rechargeable batteries are used, they are only to be charged under adult supervision.
4. Do not mix alkaline, standard (carbon-zinc), or rechargeable (nickel-cadmium) batteries.
5. Do not mix old batteries and new batteries.
6. Only batteries of the same or equivalent type as recommended are to be used.
7. Be sure to insert batteries with the correct polarities and always follow the toy and battery manufacturers' instructions.
8. Exhausted batteries are to be removed from the product.
9. The supply terminals are not to be short-circuited.
10. Dispose of batteries safely.

Keep these instructions for future reference, as they contain important information.

CONSUMER INFORMATION

YOU CAN TELL IT'S MATTEL!™ CALL us toll-free or write with any comments or questions about our products or service. Monday-Friday, 8:00 a.m.-6:00 p.m. Eastern Time. Outside U.S.A. see telephone directory for Mattel listing. Consumer Relations, Mattel, Inc., 333 Continental Blvd., El Segundo, CA 90245 USA

1 (800) 524-TOYS

CONFORMS TO THE SAFETY REQUIREMENTS OF ASTM F963.

We are dedicated to quality products.

TWO-YEAR LIMITED WARRANTY

Mattel, Inc. warrants to the original consumer purchaser that this product will be free of defects in material or workmanship for two years (unless specified in alternate warranties) from the date of purchase. If defective, return the product along with proof of the date of purchase, postage prepaid, to Consumer Adjustment Center, 15930 E. Valley Boulevard, City of Industry, California 91744 for replacement or refund at our option. This warranty does not cover damage resulting from unauthorized modification, accident, misuse or abuse. **VALID ONLY IN U.S.A.** This warranty gives you specific legal rights and you may also have other rights which vary from state to state.

Send only the product to the address above. Send all correspondence to Consumer Relations, Mattel, Inc., 333 Continental Blvd., El Segundo, CA 90245-5012, U.S.A. Or you may phone us toll-free at 1-800-524-TOYS, Monday through Friday, 8:00 a.m.- 6:00 p.m. Eastern Time.

25771-0920 G2



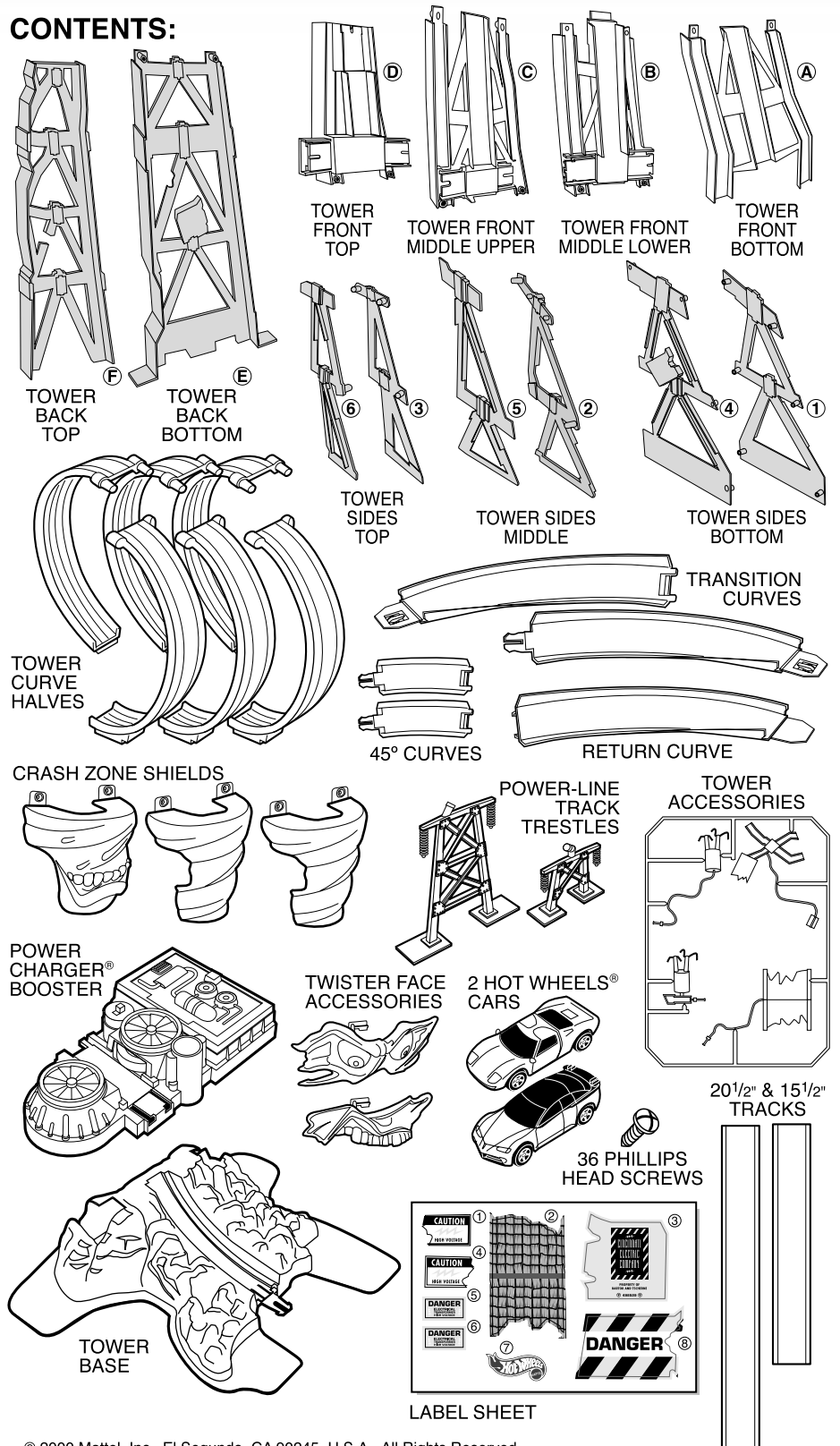
**MOTORIZED
TORNADO
TWISTER
TRACKSET™**

INSTRUCTIONS

ADULT ASSEMBLY REQUIRED.

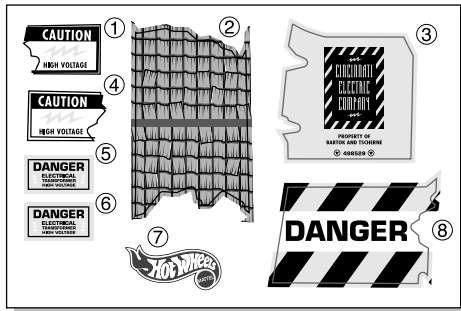
Phillips head screwdriver (*not included*) is required for assembly.
Requires 4 "D" size alkaline batteries (*not included*).

CONTENTS:



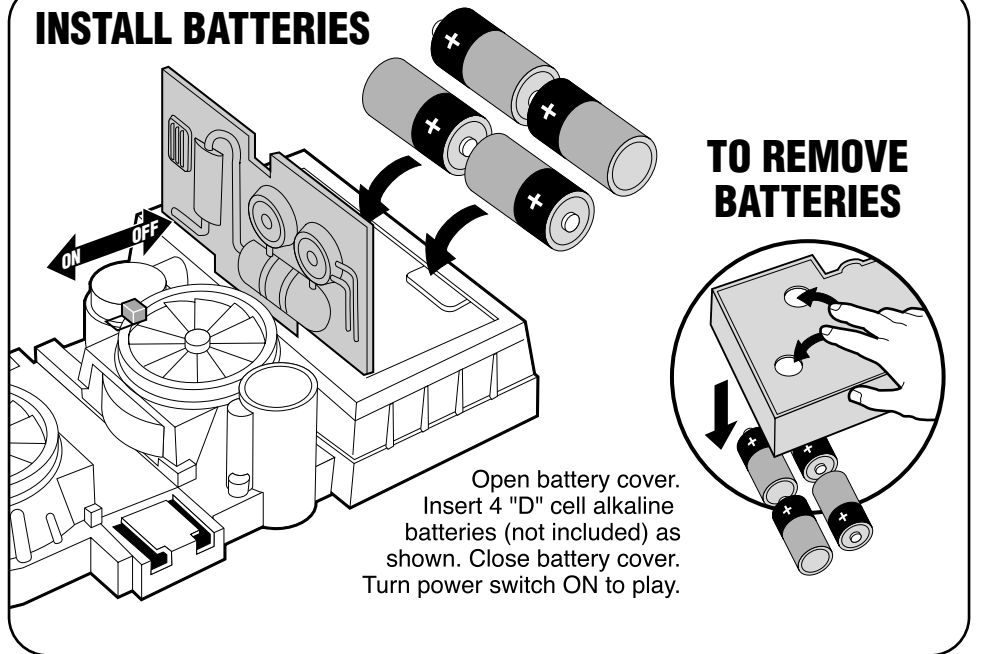
10

Attach Labels and Accessories to tower.



Label sheet

INSTALL BATTERIES



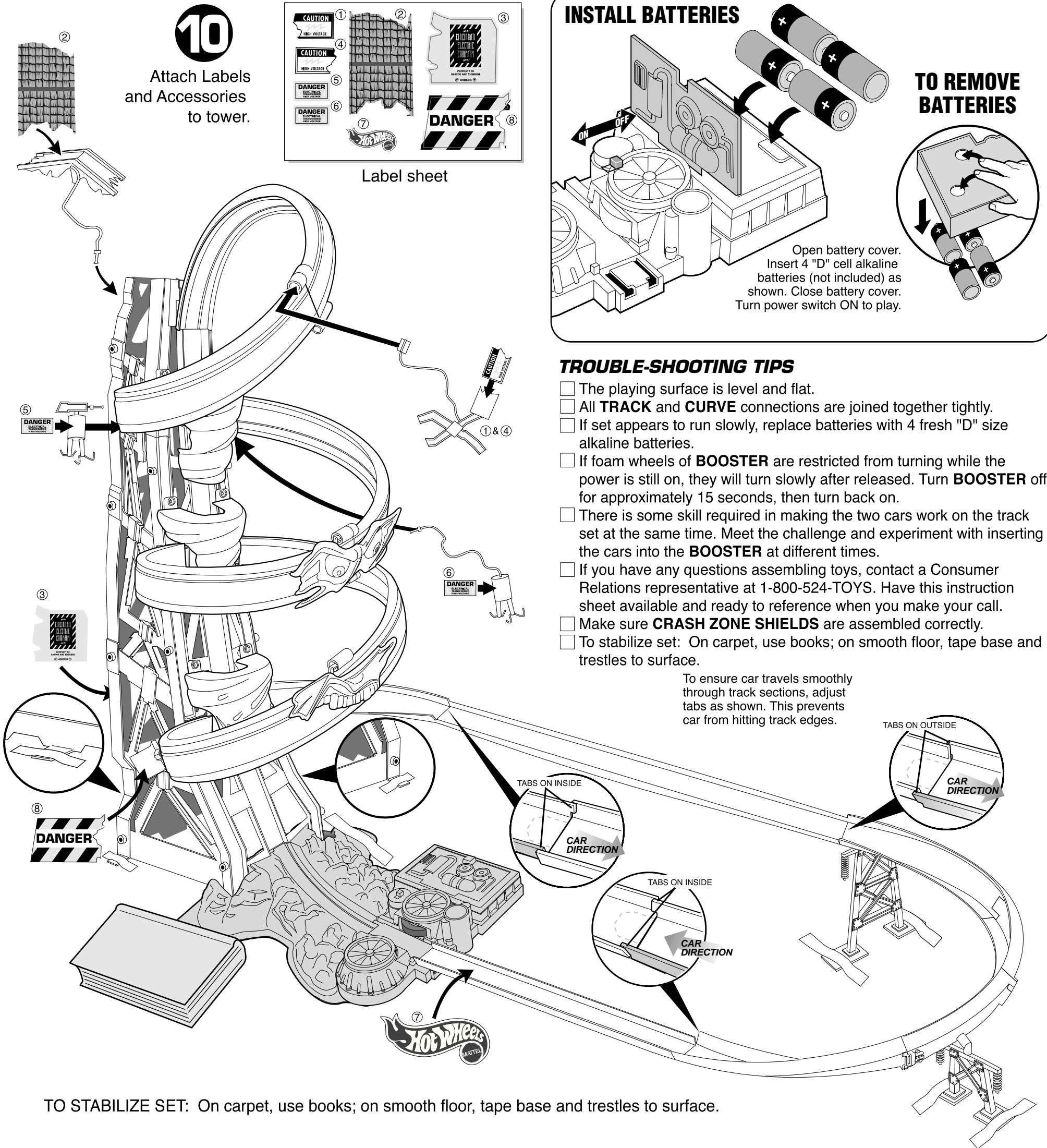
TO REMOVE BATTERIES

Open battery cover. Insert 4 "D" cell alkaline batteries (not included) as shown. Close battery cover. Turn power switch ON to play.

TROUBLE-SHOOTING TIPS

- The playing surface is level and flat.
- All **TRACK** and **CURVE** connections are joined together tightly.
- If set appears to run slowly, replace batteries with 4 fresh "D" size alkaline batteries.
- If foam wheels of **BOOSTER** are restricted from turning while the power is still on, they will turn slowly after released. Turn **BOOSTER** off for approximately 15 seconds, then turn back on.
- There is some skill required in making the two cars work on the track set at the same time. Meet the challenge and experiment with inserting the cars into the **BOOSTER** at different times.
- If you have any questions assembling toys, contact a Consumer Relations representative at 1-800-524-TOYS. Have this instruction sheet available and ready to reference when you make your call.
- Make sure **CRASH ZONE SHIELDS** are assembled correctly.
- To stabilize set: On carpet, use books; on smooth floor, tape base and trestles to surface.

To ensure car travels smoothly through track sections, adjust tabs as shown. This prevents car from hitting track edges.



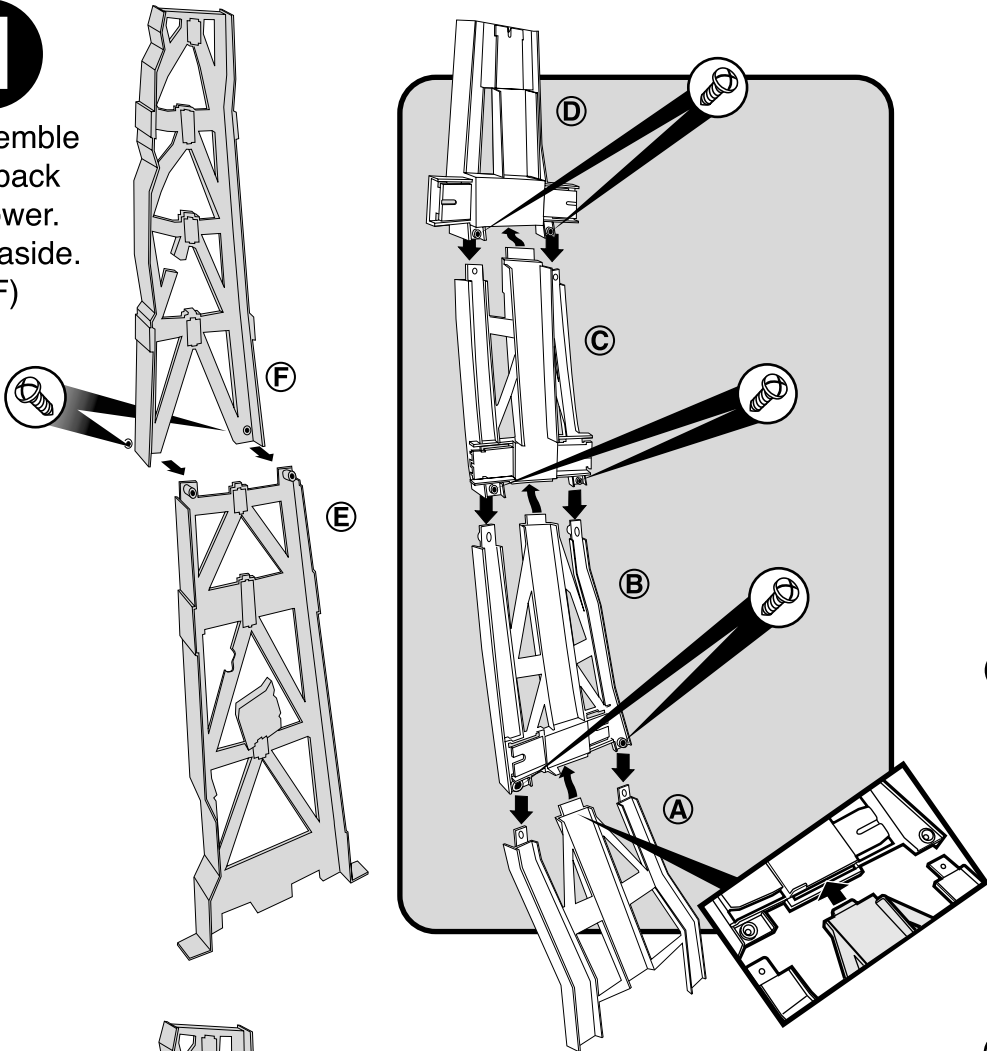
TO STABILIZE SET: On carpet, use books; on smooth floor, tape base and trestles to surface.

ASSEMBLY TIPS:

Look for letters or numbers marked on the tower panels (as shown) for reference.

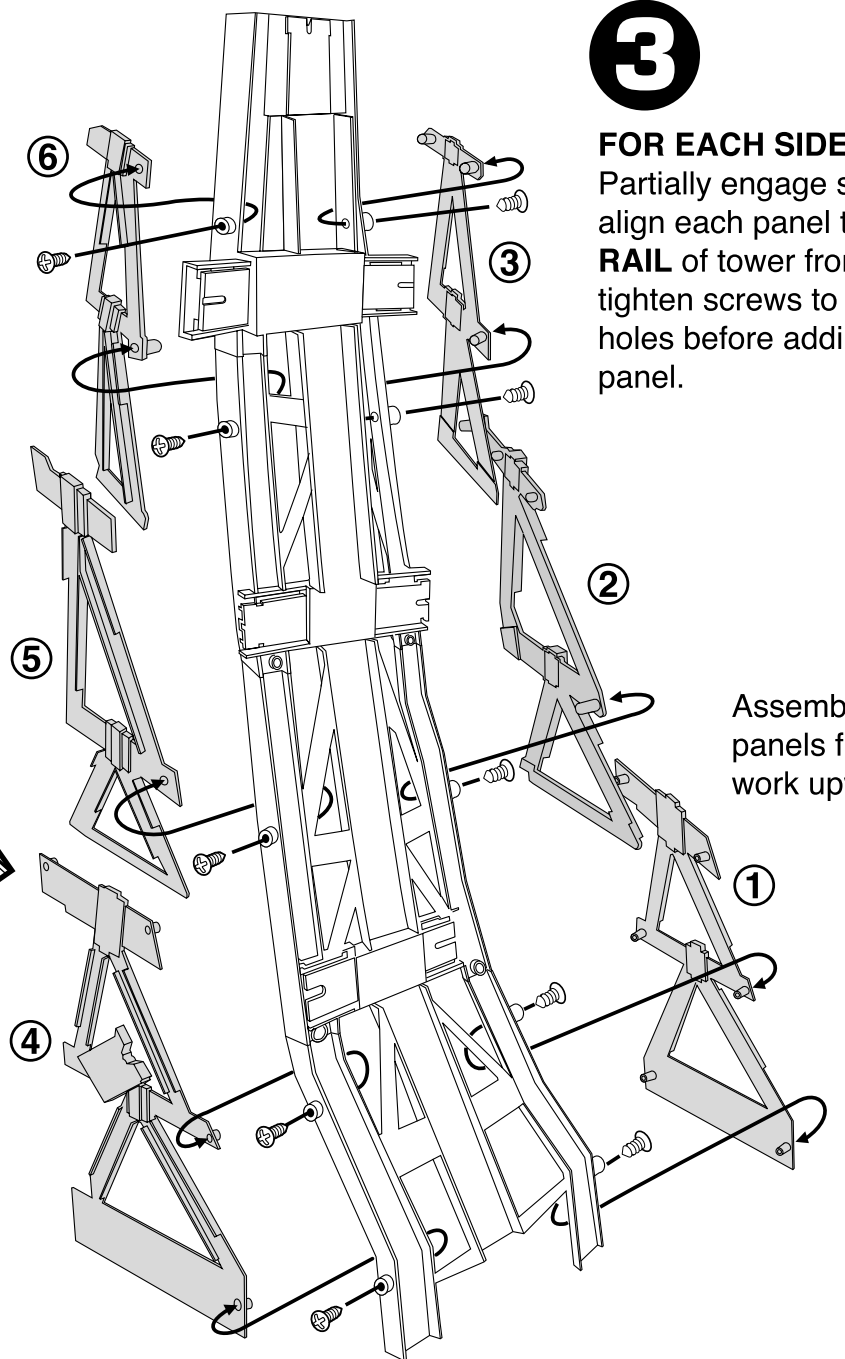
1

Assemble the back of tower. Set aside. (E, F)



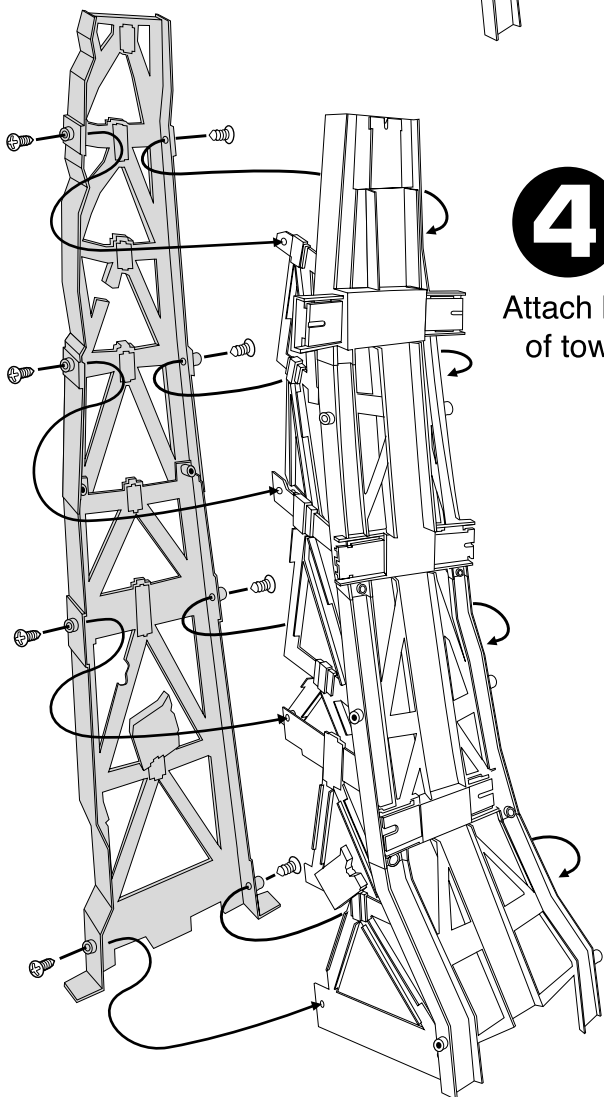
3

FOR EACH SIDE PANEL: Partially engage screws; align each panel to **INSIDE RAIL** of tower front, THEN tighten screws to screw holes before adding next panel.



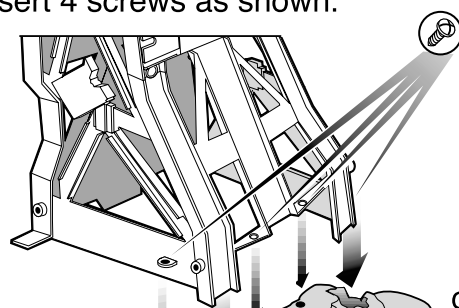
4

Attach back of tower.



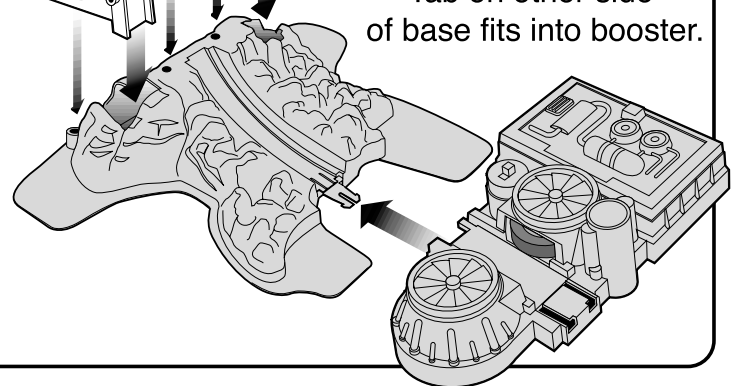
5

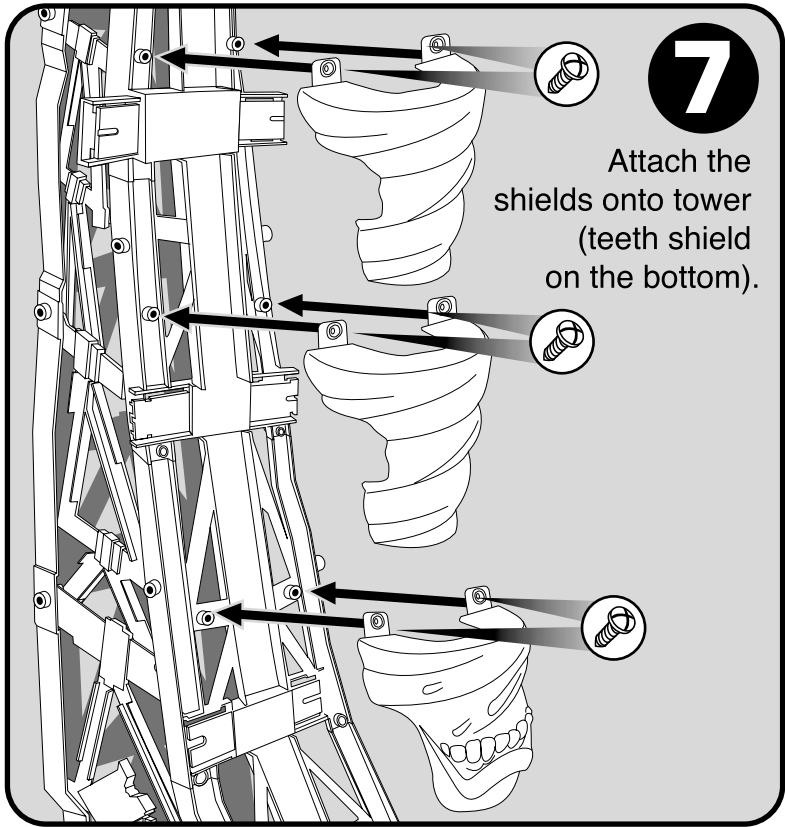
Place front tower legs through holes in base. Insert 4 screws as shown.



6

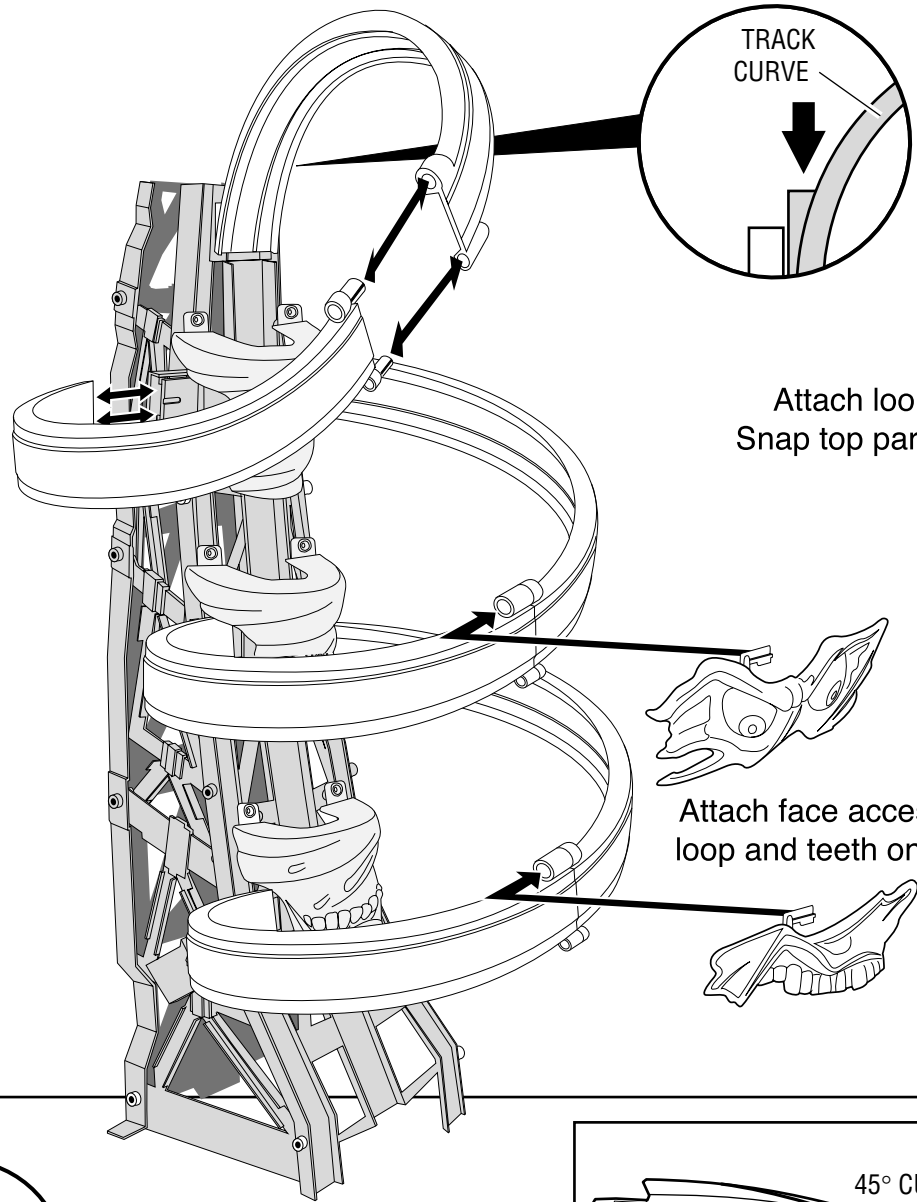
Attach booster. Tab on other side of base fits into booster.



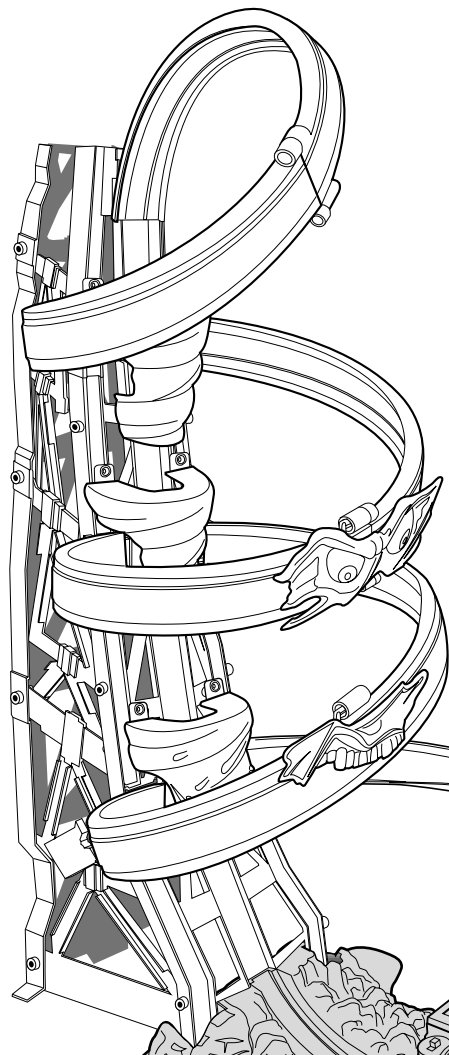


7
Attach the shields onto tower (teeth shield on the bottom).

IMPORTANT SAFETY NOTE FOR ADULT: Top Tower Curve must remain attached to the top of the Tower at **ALL TIMES**. Push curve in until it is **FULLY SEATED** and **SNAPS** in place.



8
Attach loops as shown. Snap top part of track into top of tower.



9
Attach face accessory on 2nd loop and teeth on bottom loop.

