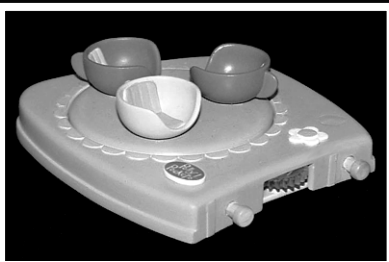
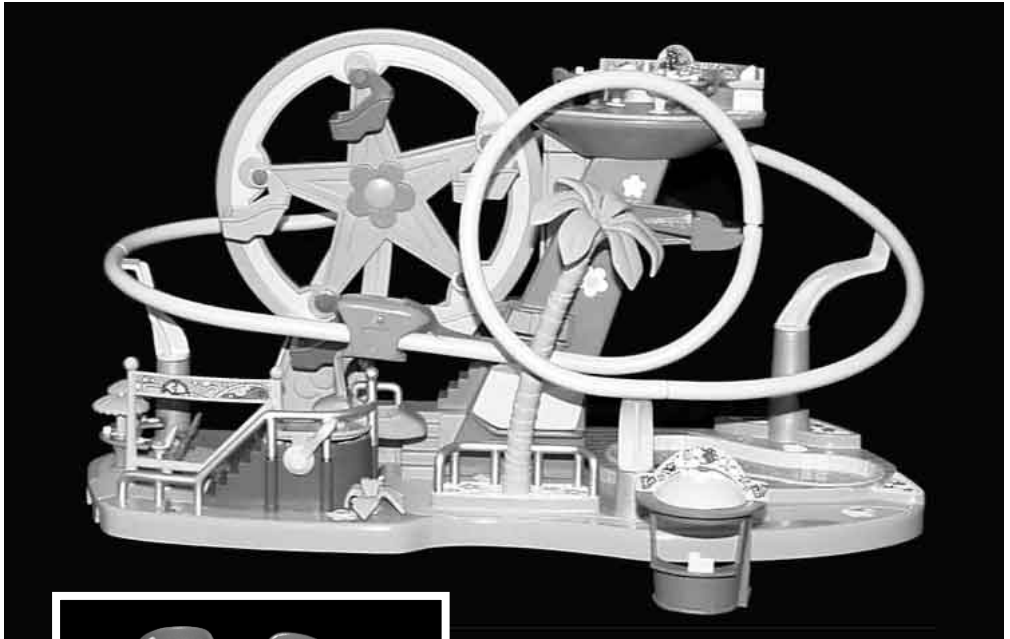




PollyWorld™

Amusement Park INSTRUCTIONS



Please remove everything from the package and compare to the contents shown here.

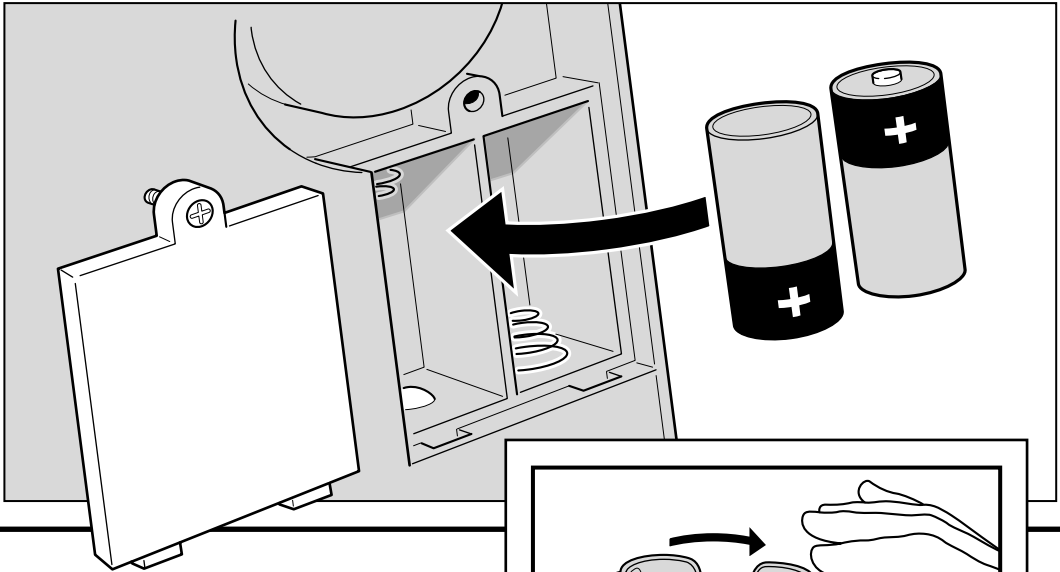
If any items are missing, please call 1-800-524-TOYS.

Keep these instructions for future reference as they contain important information.

⚠ WARNING:
CHOKING HAZARD – Small parts.
Not for children under 3 years.

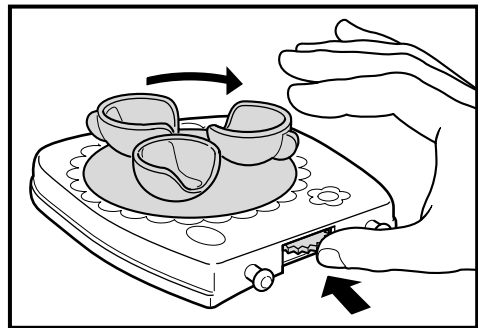
INSERT BATTERIES

Unscrew battery door with Phillips head screwdriver (not included). Remove door and insert 2 "C" batteries as shown. Replace door.



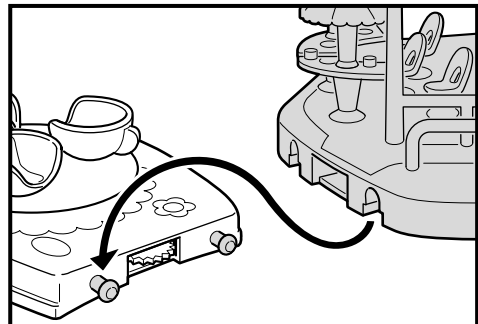
BATTERY SAFETY INFORMATION:

1. Non-rechargeable batteries are not to be recharged.
2. Rechargeable batteries are to be removed from the product before they are charged.
3. If removable rechargeable batteries are used, they are only to be charged under adult supervision.
4. Do not mix alkaline, standard (carbon-zinc), or rechargeable (nickel-cadmium) batteries.
5. Do not mix old batteries and new batteries.
6. Only batteries of the same or equivalent type as recommended are to be used.
7. Be sure to insert batteries with the correct polarities and always follow the toy and battery manufacturers' instructions.
8. Exhausted batteries are to be removed from the product.
9. The supply terminals are not to be short-circuited.
10. Dispose of batteries safely. Do not dispose of in a fire as the batteries may explode or leak.
11. Products with non-replaceable batteries are not to be disposed of in a fire as the batteries inside may explode or leak.



SPIN TEA CUPS BY HAND!

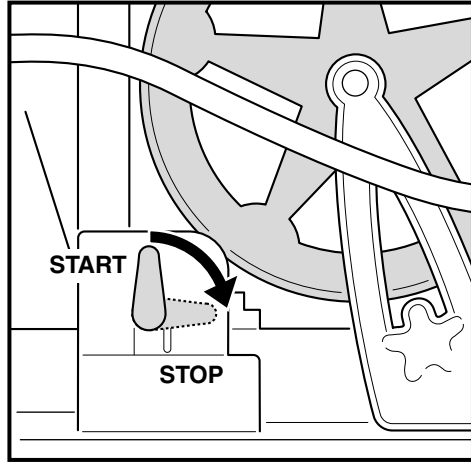
(Tea cup ride fits over pool area too.)



ADD TEA CUP MODULE

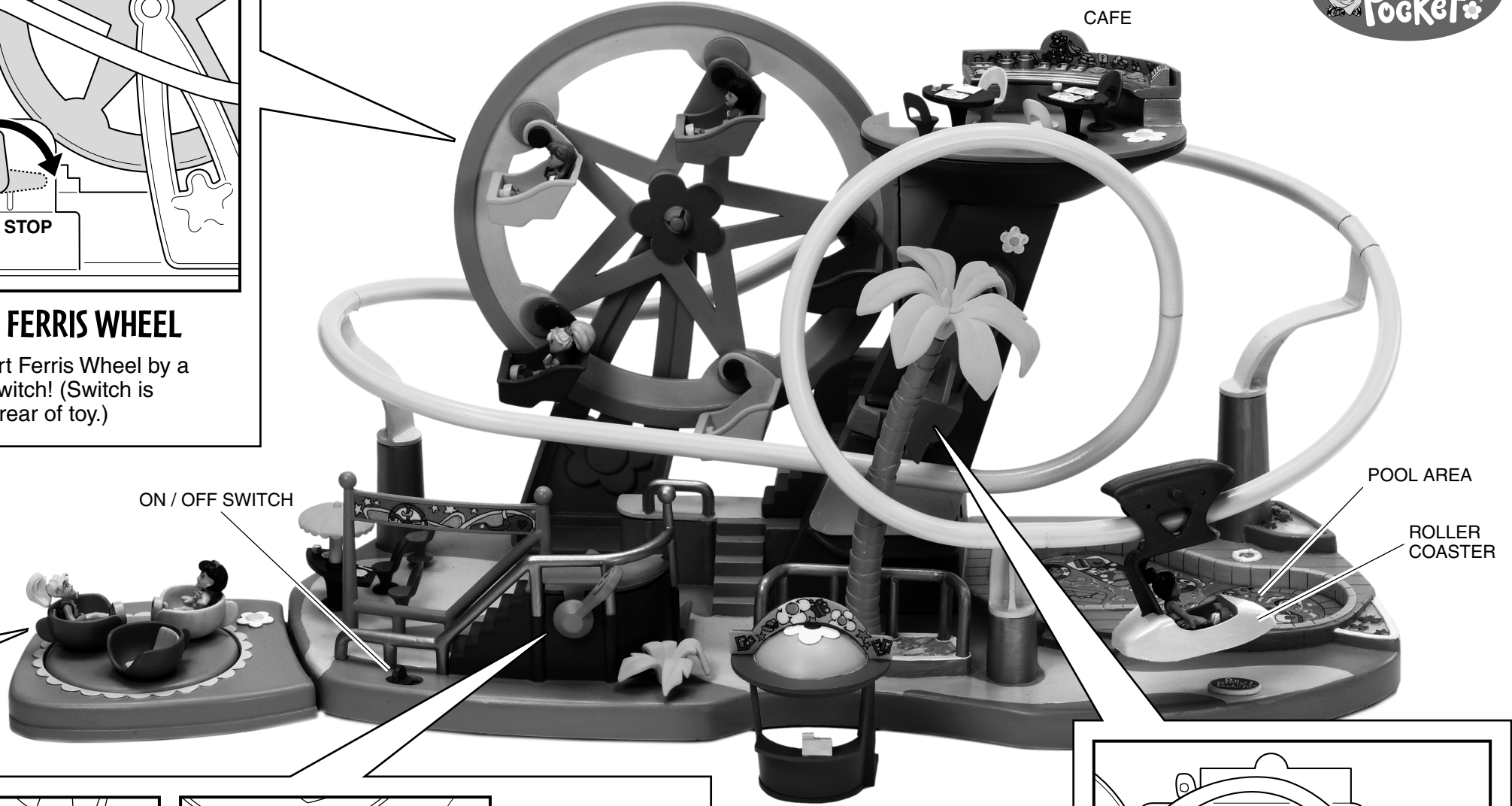
Lift Amusement Park base and press down onto posts of Tea Cup module.

Amusement Park Fun!



OPERATE FERRIS WHEEL

Stop or start Ferris Wheel by a flip of the switch! (Switch is located at rear of toy.)

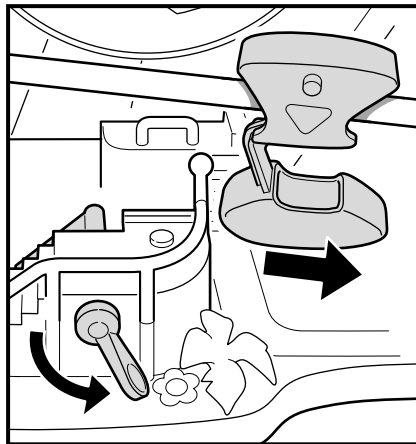
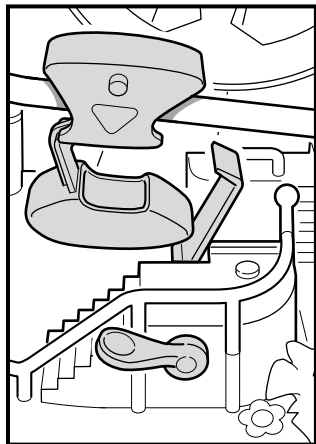


ON / OFF SWITCH

POOL AREA

ROLLER COASTER

TICKET BOOTH

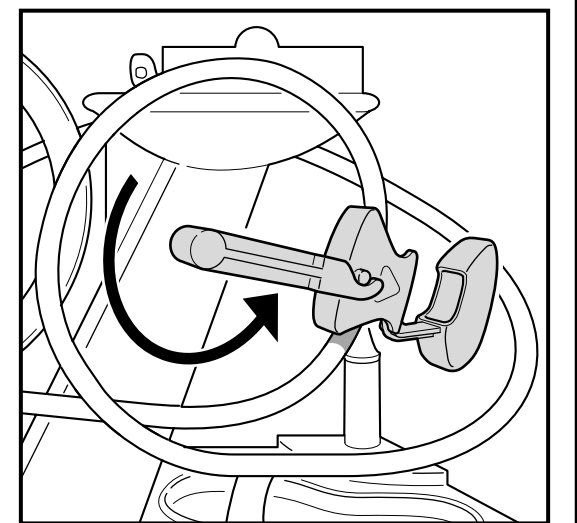


START THE ROLLER COASTER ROLLING!

Turn ON / OFF switch to "On".

Position roller coaster behind starting block. Push lever downward to release roller coaster.

MECHANIZED ARM SWINGS INTO ACTION!





**Ferris
Wheel
fun!**



**Ride the
Roller
Coaster!**



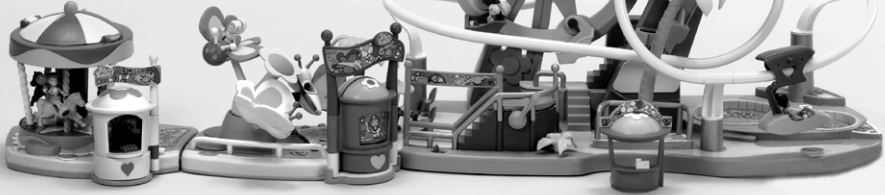
PollyWorld™ Amusement Park

**Twirl and
whirl on the
Tea Cups!**



Connect all the PollyWorld™ playsets for more carnival fun!*

The Amusement Park activates movement for
all rides when connected together.



Carousel
56227

Butterfly Ride™
56226

Amusement Park
56228

*Each sold separately and subject to availability.

Product decorations may vary from those shown.

2 YEAR LIMITED WARRANTY

Mattel, Inc. warrants to the original consumer purchaser that this product will be free of defects in material or workmanship for two years (unless specified in alternate warranties) from the date of purchase. If defective, return the product along with proof of the date of purchase, postage prepaid, to Consumer Relations, 636 Girard Avenue, East Aurora, New York 14052 for replacement or refund at our option. This warranty does not cover damage resulting from unauthorized modification, accident, misuse, or abuse. In no event shall we be responsible for incidental, consequential, or contingent damages (except in those states that do not allow this exclusion or limitation). **Valid only in U.S.A.** This warranty gives you specific legal rights and you may also have other rights which vary from state to state. Some states do not allow the exclusion of incidental or consequential damages, so the above limitations may not apply to you.

Send only the product to the address above. Send all correspondence to Consumer Relations, Mattel, Inc., 333 Continental Blvd., El Segundo, California 90245-5012, U.S.A. Or you may phone us toll-free at 1-800-524-TOYS, Monday-Friday, 8:00 a.m.-6:00 p.m. Eastern Time. See telephone directory for Mattel listing.



CONFORMS TO THE SAFETY
REQUIREMENTS OF ASTM F963.

CONSUMER INFORMATION

MATTEL
MATTIE™ TOYS



YOU CAN TELL IT'S MATTEL!™ CALL us toll-free or write with any comments or questions about our products or service. Monday-Friday 8:00 a.m.-6:00 p.m. Eastern Time. Outside U.S.A., see telephone directory for Mattel listing.

Consumer Relations, Mattel, Inc.
333 Continental Blvd.
El Segundo, CA 90245 USA

1 (800) 524-TOYS

WE ARE DEDICATED TO QUALITY PRODUCTS.