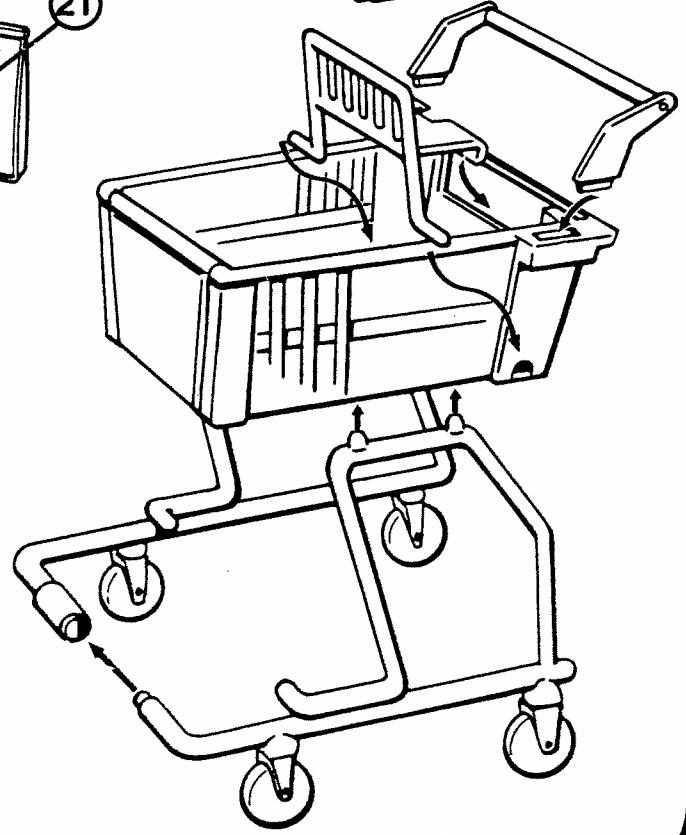
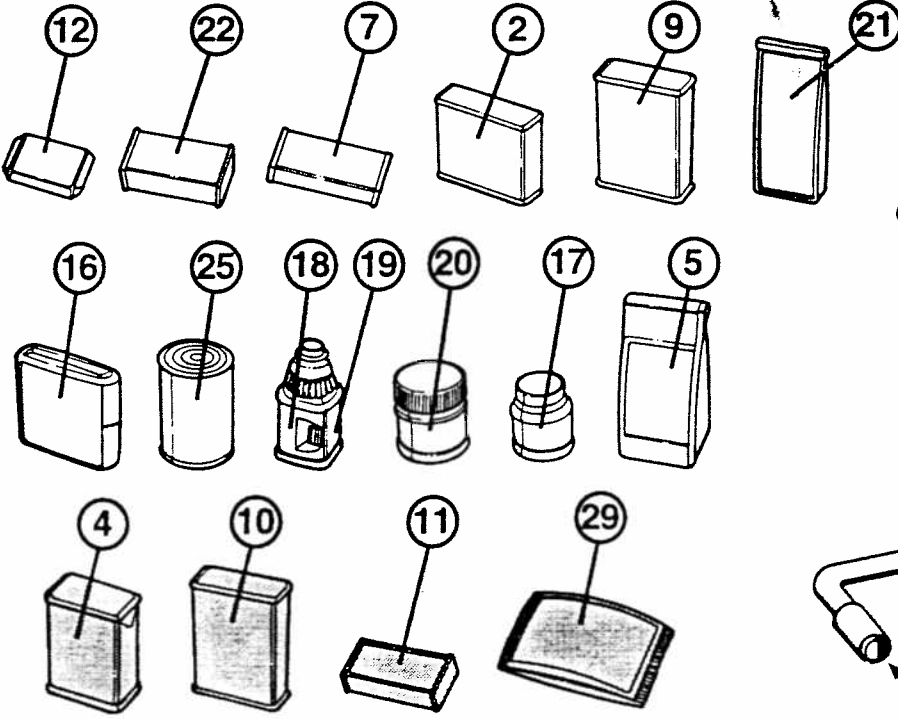
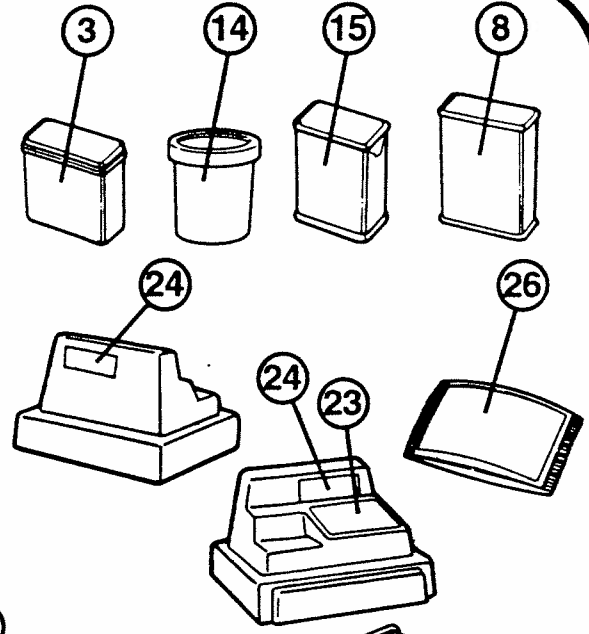
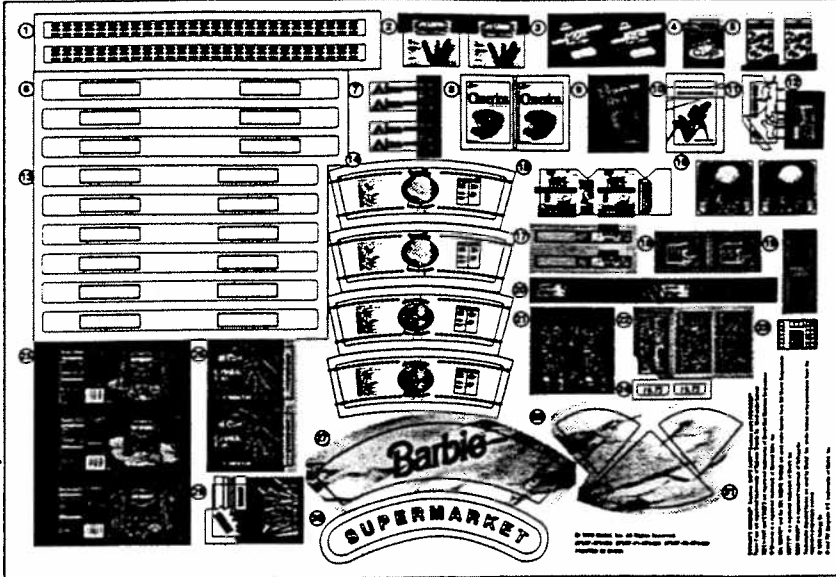


Barbie

Mattel Company, warrants to the original consumer purchaser that this toy product will be free from defects in material or workmanship for 2 years (unless otherwise specified in alternate warranties) from the date of purchase. If defective, return the product along with proof of the date-of-purchase, postage prepaid, to Consumer Adjustment Center, ARCOTOYS, INC., A Mattel Company, C.S. #1015, Westbury N.Y. 11590-0115 U.S.A. for replacement or refund at our option, or you may phone us toll-free at 1 (800) 442-2664, Monday thru Friday between the hours of 10:00 A.M. - 5:00 P.M. EST (7:00 A.M. - 2:00 P.M. PST). This warranty gives you specific legal rights and you may also have other rights which vary from state to state. This warranty does not cover damage resulting from accident, misuse or abuse.
Valid only in U.S.A.

03



BARNUM'S ANIMALS® Crackers, CHIPS AHOY!® Cookies and LIFESAVERS® Flavor Pops are registered trademarks of Nabisco Brands Co. Used under license.
BEECH-NUT and STAGES are registered trademarks of Beech-Nut Nutrition Corporation.
© Cheerios is a registered trademark of General Mills, Inc.
DEL MONTE® and the DEL MONTE SHIELD are used under license from Del Monte Corporation.
MOTT'S® is a registered trademark of Mott's Inc.

EGGO MINIS® is a registered trademark of Kellogg Co. Trademarks depicted herein are used by Mattel, Inc. under license or by permission from the respective proprietary owners.
© 1996 Kellogg Co.

CAUTION: This product contains a magnet. It should not be used around items which are sensitive to or affected by magnetic fields.



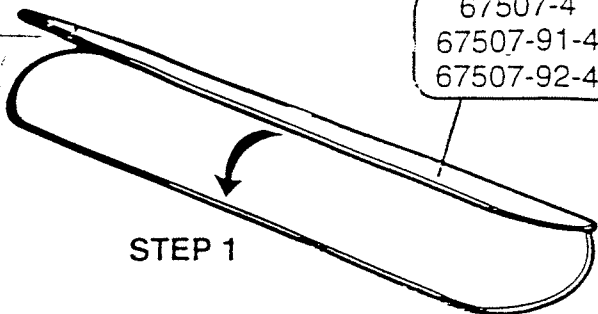
© 1996 Mattel, Inc. All Rights Reserved.
® and TM designate U.S. trademarks of Mattel, Inc.

WARNING:
CHOKING HAZARD - Small parts.
Not for children under 3 years.

67507-070400
67507-91-070400
67507-92-070400
PRINTED IN CHINA

This toy is designed to be assembled one time only.

67507-4
67507-91-4
67507-92-4

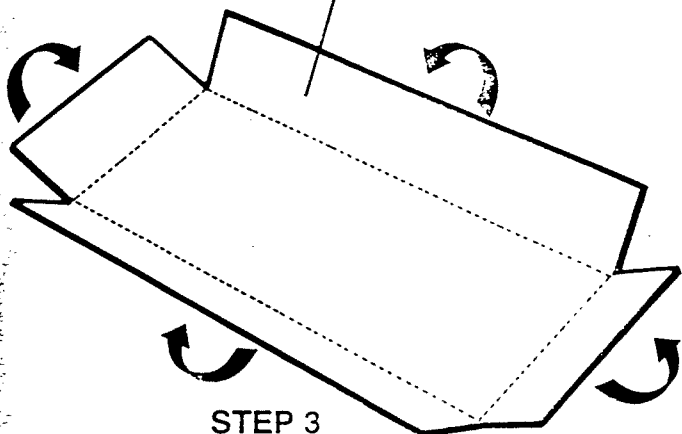


STEP 1



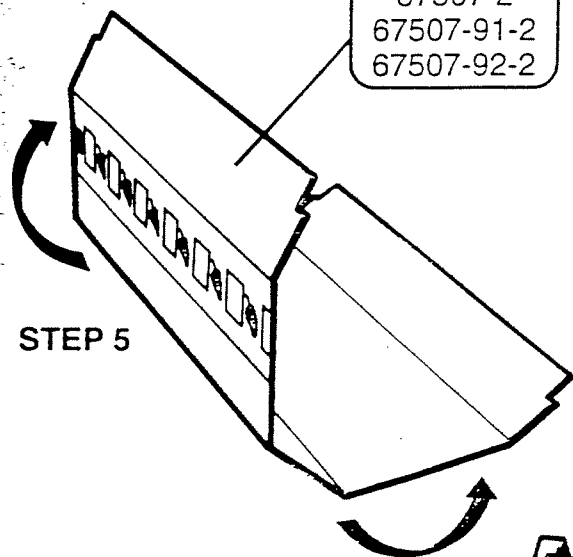
STEP 2

67507-3
67507-91-3
67507-92-3



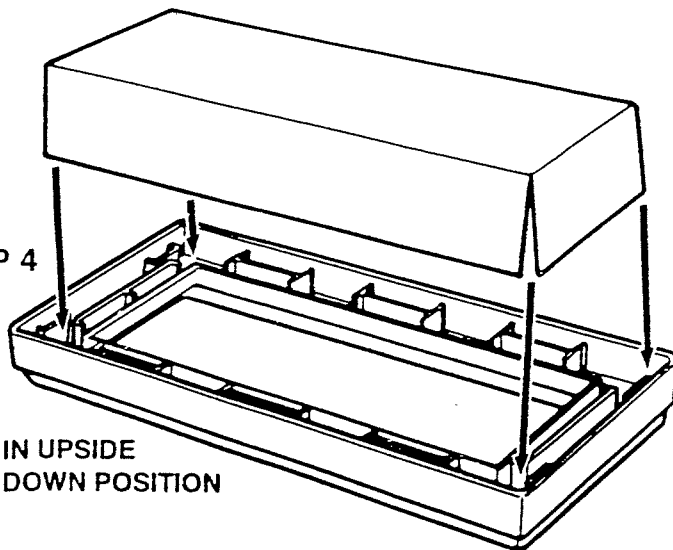
STEP 3

67507-2
67507-91-2
67507-92-2



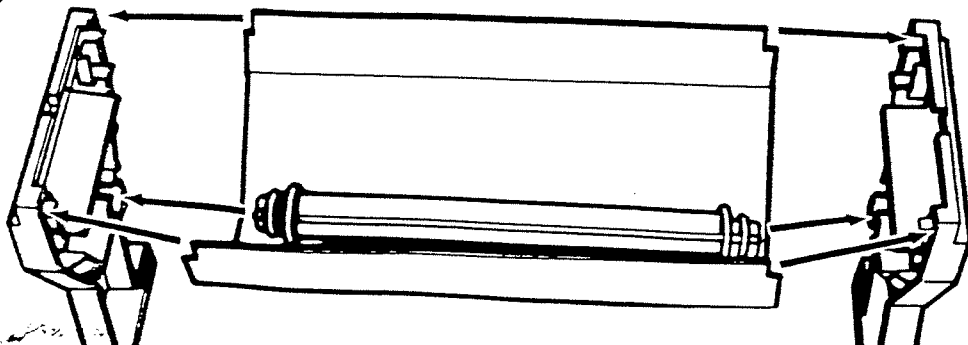
STEP 5

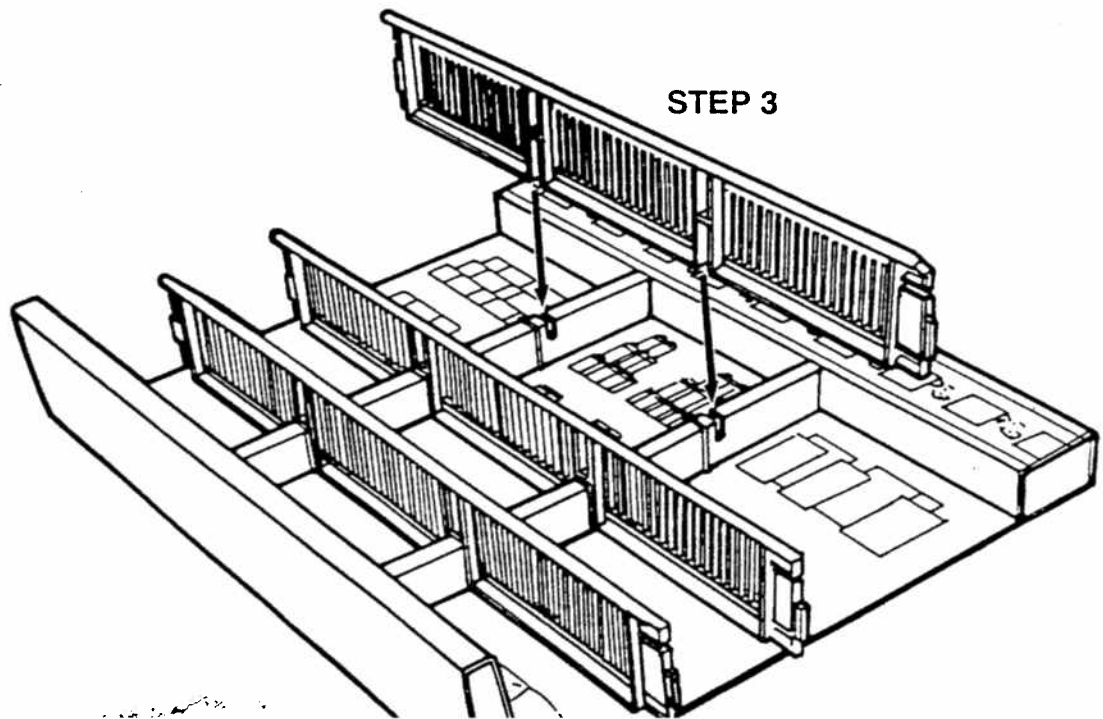
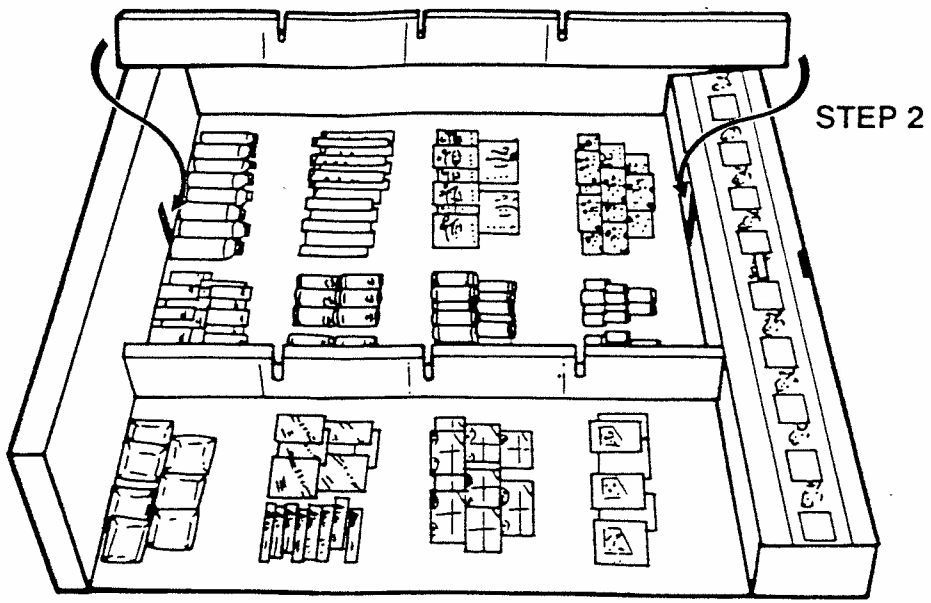
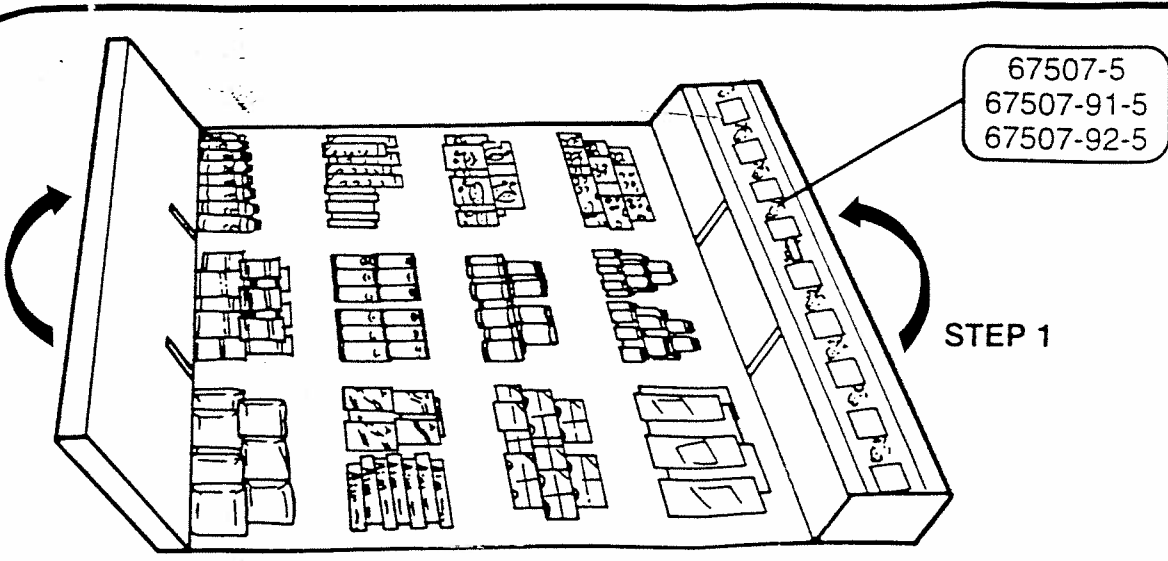
STEP 4

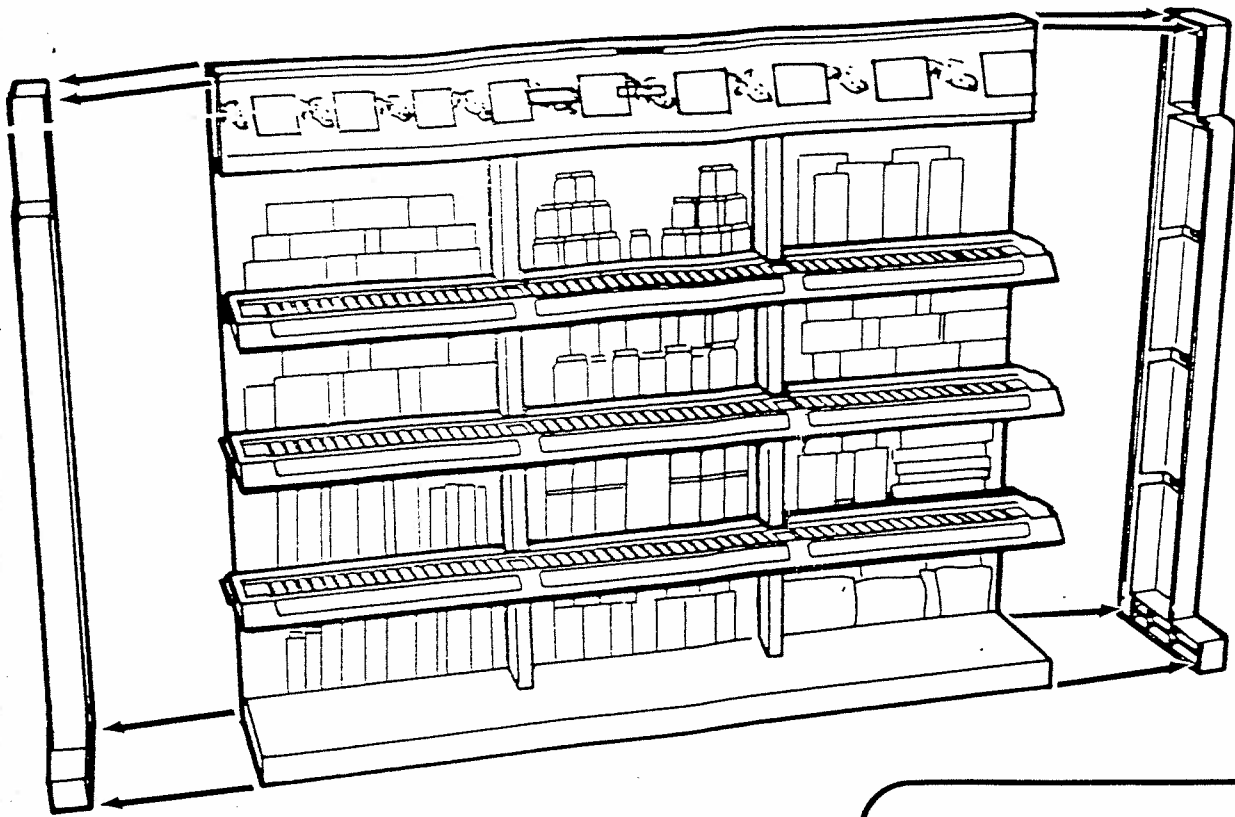


IN UPSIDE
DOWN POSITION

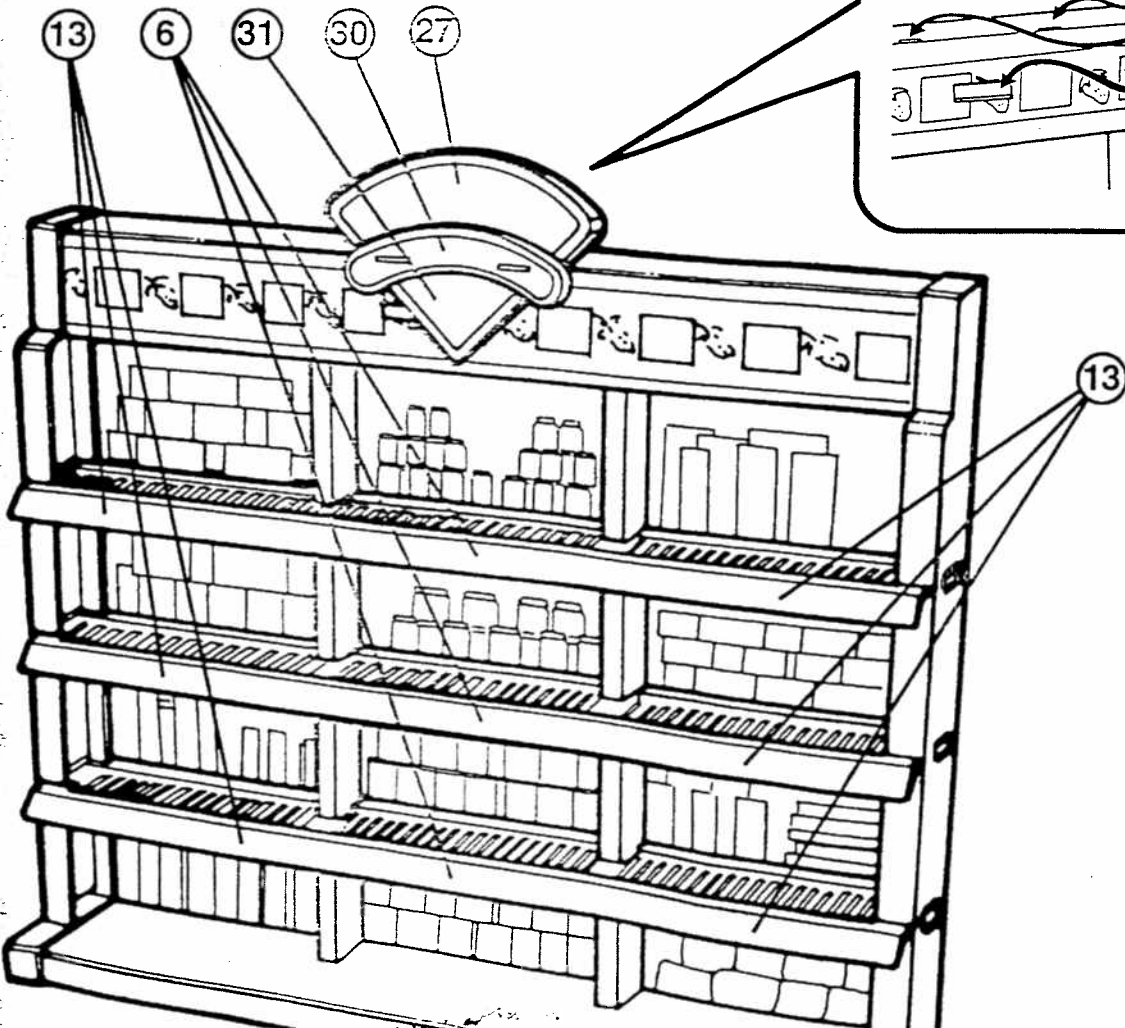
STEP 6







STEP 4



STEP 5