

Fisher-Price®

Instructions

Bubble Mower

Model Number: 72022

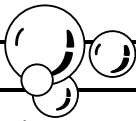


Please save these instructions for future reference.

Adult assembly is required.

No tools needed for assembly.

www.fisher-price.com

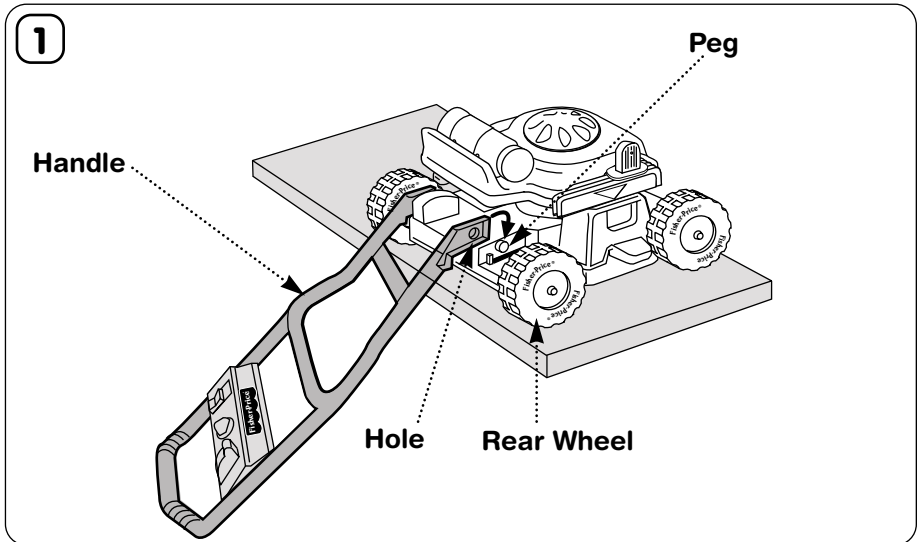


Message to Parents

- **Please make sure your child:**
 - Does not follow you using the Bubble Mower while you are operating a real lawn mower. Your child should play in a separate area away from the area where you are mowing.
 - Understands that only bubble solution should be used in the Bubble Mower.
 - Understands that bubble solution is not for drinking and that it should be kept away from the eyes.
- While filling or cleaning the Bubble Mower, try to avoid spilling bubble solution on the floor. It may create slippery floor conditions.
- Do not spill bubble solution on detergent-sensitive surfaces.



Assembly

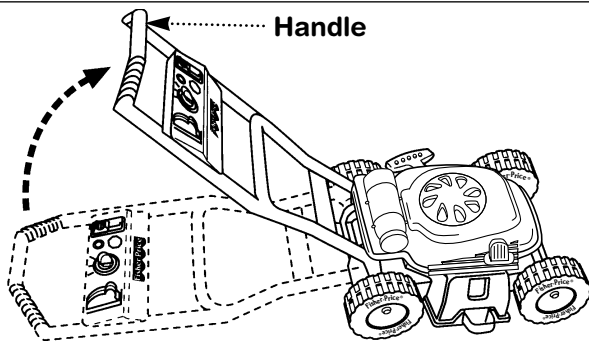


- Place the mower on an elevated, flat surface.
- Position the handle with the Fisher-Price® logo facing up.
- With the handle angled down, slide the hole on one side of the handle onto the peg near the rear wheel.
- Fit the hole on the other side of the handle onto the peg near the other rear wheel.

Assembly



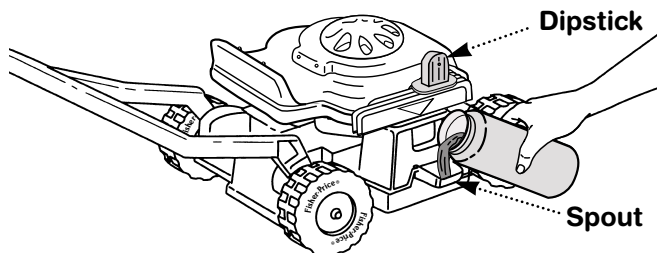
2



- Lift the handle until it snaps into an upright position.

Note: Make sure the tabs at the ends of the handle fit into the slots near the rear wheels when the handle is raised. If the tabs do not fit into the slots, you have not assembled the handle properly. Remove the handle and repeat assembly steps 1 and 2.

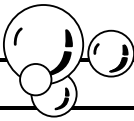
Bubblin' Fun!



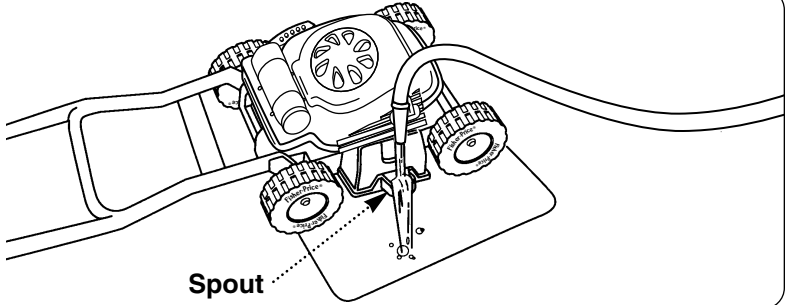
Hint: When using the mower with bubble solution, we recommend using it outdoors on a flat surface or in short grass.

- Pour bubble solution into the mower spout. For refills, use commercial bubble solution.
- Use the dipstick to check the bubble solution level and to blow bubbles, too!
- Bubbles begin flowing after the mower has been pushed about 15-20 walking steps. As long as the mower is being pushed, the bubbles continue.
- If your mower does not make bubbles:
 - Check to be sure there is enough bubble solution in the mower.
 - Empty the bubble solution from the mower. Refill the mower with fresh bubble solution.
 - Wash the bubble chamber (see "Let's Clean-Up"), and refill with fresh bubble solution.

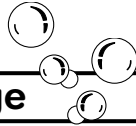
Note: We do not recommend the use of silicones or oily lubricants on this toy. As with any bubble producing toy, when even a very small amount of silicone or oily lubricants are put into or used near the bubble chamber, bubbles will not form.



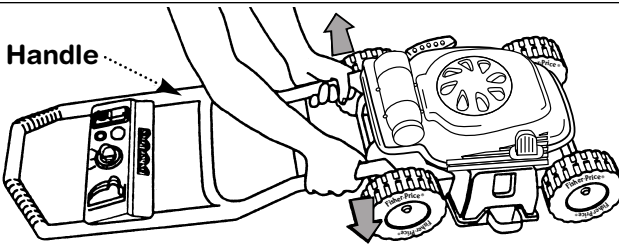
Let's Clean Up



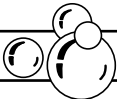
- Tip the mower on its side to empty the bubble chamber.
- Discard the bubble solution.
- Place the spout under a water faucet or a garden hose spigot.
- Run clean water into the spout, rotate the back wheels a few times, then pour the water out.
- Repeat this procedure if necessary.



Storage



- To remove the handle, lower the handle. Pull the ends of the handle outward to remove the handle from the mower.
- Rinse the Bubble Mower thoroughly with clean water before storing it for long periods of time.



Consumer Information

Questions? We'd like to hear from you!

Call Fisher-Price Consumer Affairs, toll-free at **1-800-432-KIDS**, 8 AM - 5 PM EST Monday through Friday. Hearing-impaired consumers using TTY/TDD equipment, please call 1-800-382-7470. Or, write to: Fisher-Price Consumer Affairs, 636 Girard Avenue, East Aurora, New York 14052.