



# Sprinkler

Product Number: 72869

**Fisher-Price®**



Please save these instructions for future reference.

Adult assembly is required.

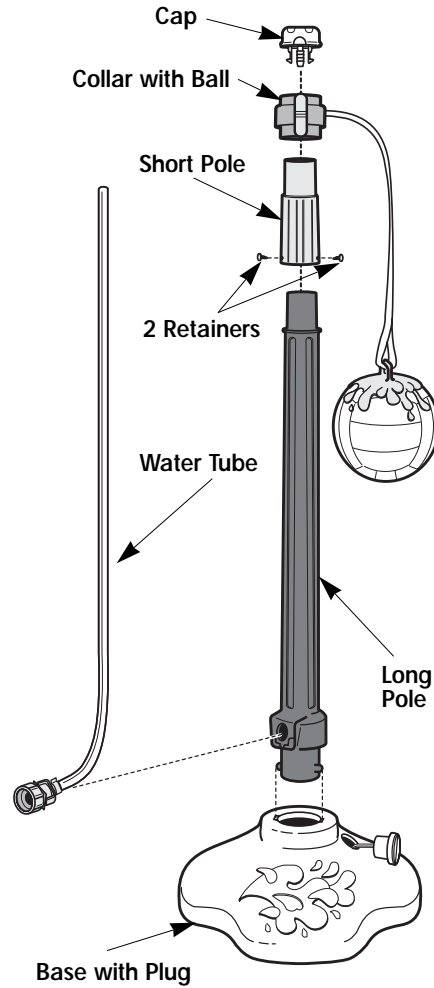
No tools needed for assembly.

[www.fisher-price.com](http://www.fisher-price.com)

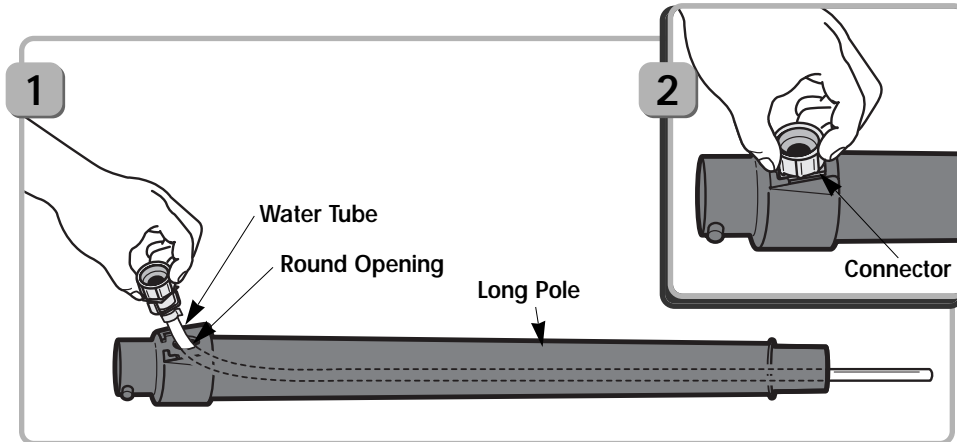
## CAUTION

- Please keep plastic bags out of children's reach. Dispose of plastic bags properly.
- Water inside the sprinkler or your garden hose, if left for an extended period of time outside in direct sunlight, can become very hot and can harm your child. We recommend that you drain the sprinkler and your garden hose after each use and store them in a cool, shaded area.

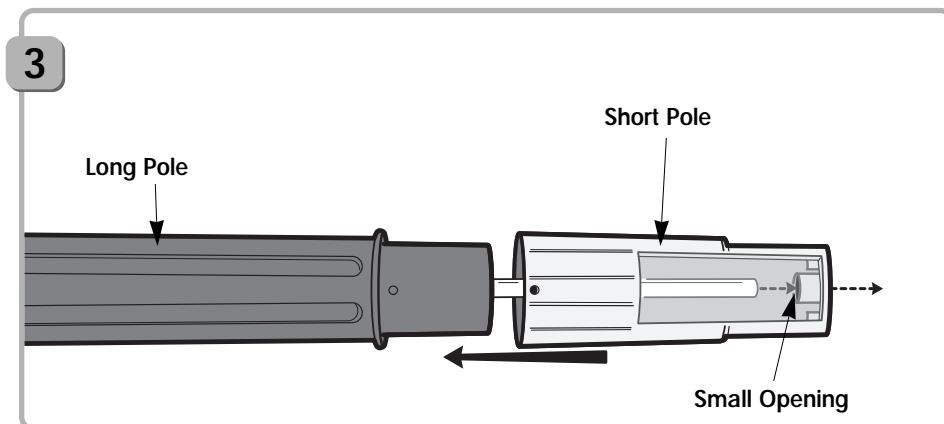
## Parts



## Assembly

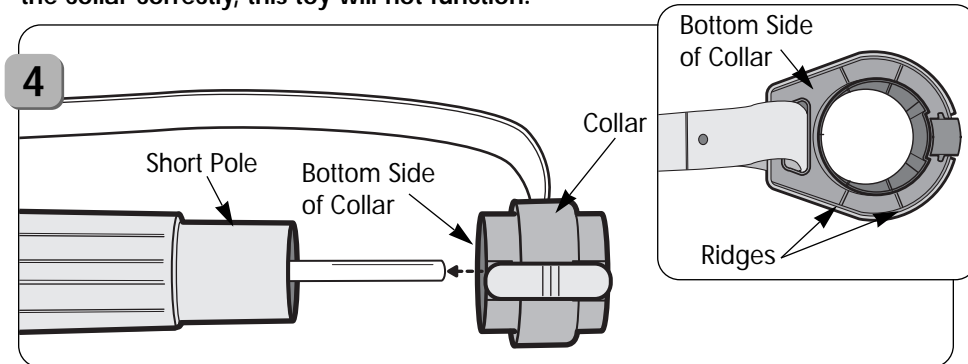


- 1** Position the long pole on its side.  
Insert the end of the water tube through the round opening in the base of the long pole.  
Thread the water tube through the long pole.
- 2** Insert and snap the connector on the water tube into the round opening in the long pole.



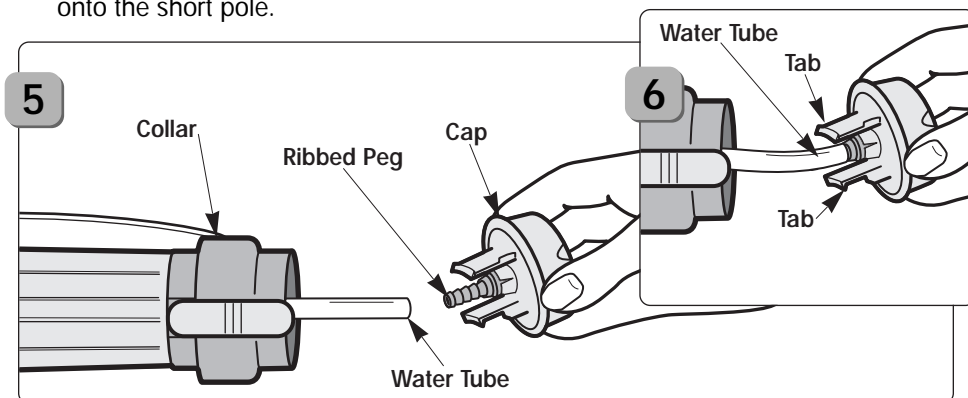
- 3** While keeping the long pole on its side, fit the short pole onto the long pole.  
Note the small opening in the top of the short pole. Insert the water tube through the small opening in the small pole.

**IMPORTANT!** Please read this next step very carefully. If you do not assemble the collar correctly, this toy will not function.



- 4** The bottom and top side of the collar are **not** identical. The top side of the collar has a flat, smooth surface and should face upward, toward the top of the toy. The bottom side of the collar is open with visible ridges and should face downward, toward the bottom of the toy.

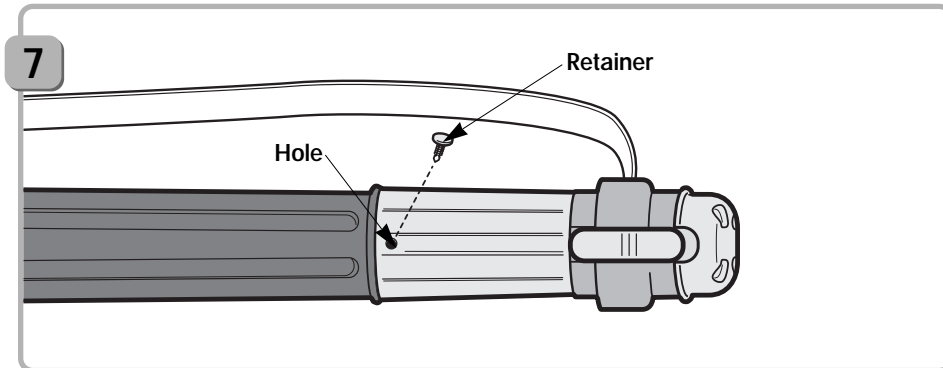
Position the collar so that the bottom side is facing the short pole. Fit the collar onto the short pole.



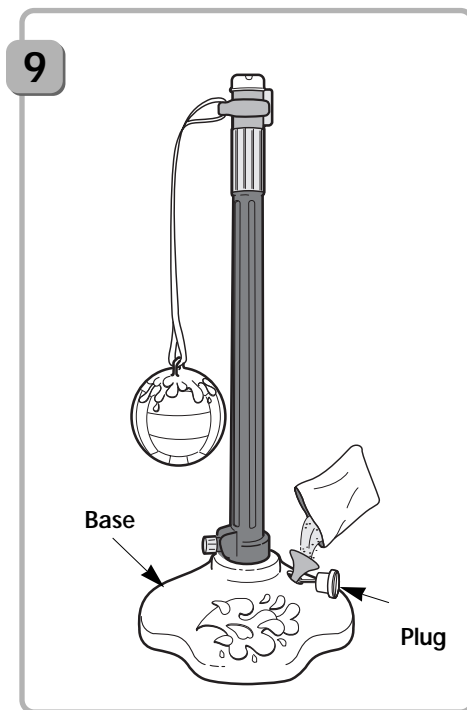
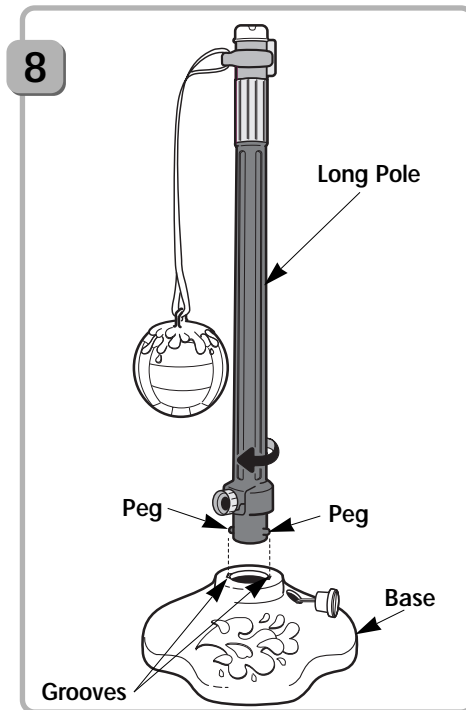
- 5** Fit the end of the water tube completely onto the ribbed peg on the cap.
- 6** Apply a soap and water solution to the end of the water tube and two tabs on the cap.

Insert and snap the tabs on the cap into the slots inside the collar.

**Helpful Hint:** This may require a lot of force.



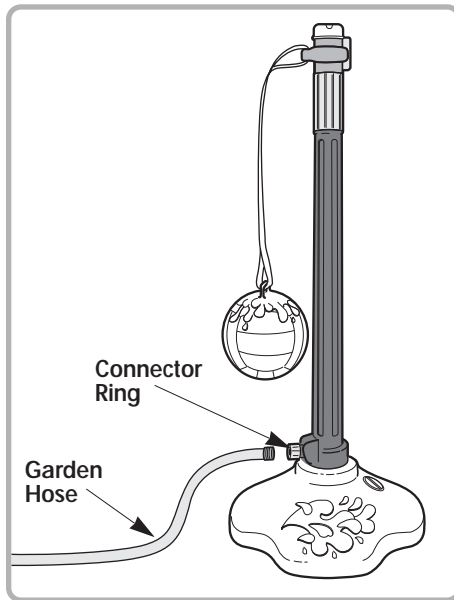
- 7** Insert and snap the cap onto the collar.  
 Insert and snap a retainer through each hole in the small pole and into the long pole.



- 8** Fit the pegs on the end of the long pole into the grooves in the base.  
 Twist the long pole to lock it into the base.  
 Pull up on the long pole to be sure it is secure in the base.  
**Helpful Hint:** For additional stability, add sand or water to the base. Before filling the base, be sure to protect the surface with a tarp.
- 9** Remove the plug and insert a funnel into the hole in the base.  
 Fill the base with sand or water.  
 Remove the funnel and replace the plug in the base.

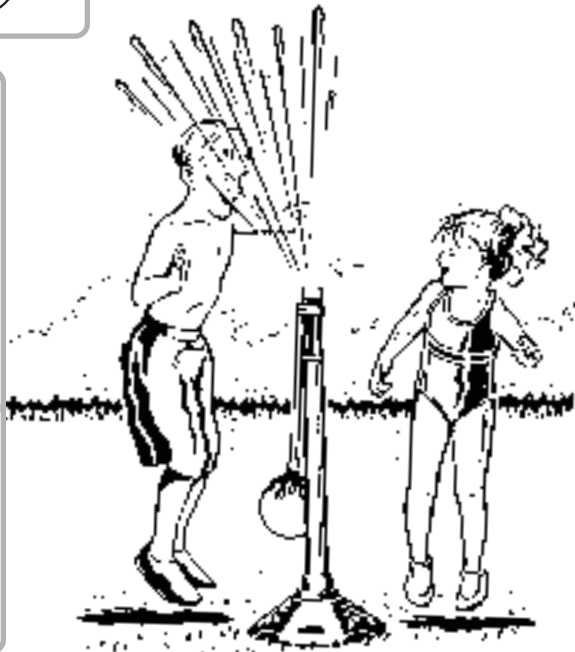
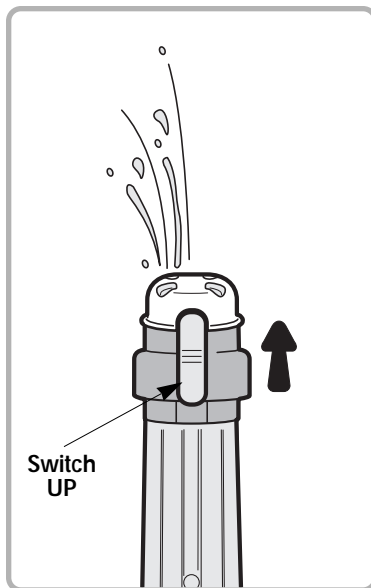
## Wet and Wacky Sports Fun!

**Note:** When playing with water toys, play surfaces can sometimes get messy. Do not play with this toy on surfaces that can be damaged by water. Protect play surfaces.

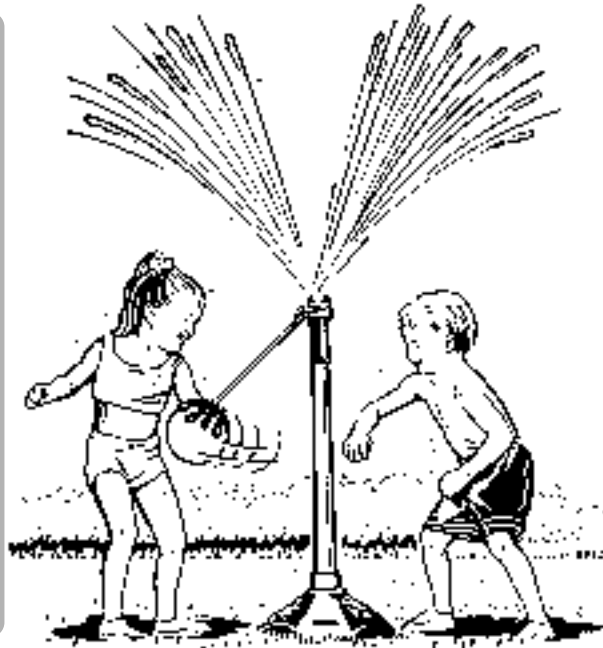
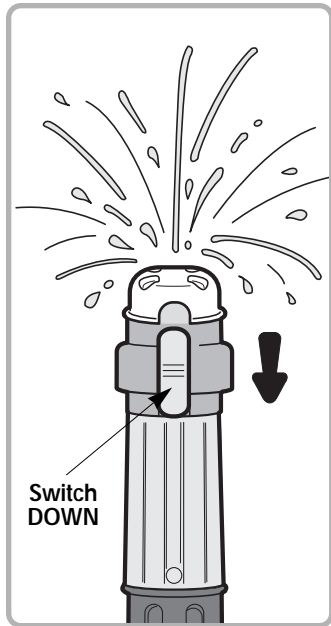


**IMPORTANT!** Before attaching your garden hose (not included) to the sprinkler, turn the water on at the spigot (for 30 seconds) to clear debris from the garden hose.

- Insert the end of your garden hose into the connector ring at the base of the sprinkler.
- Turn the connector ring counter-clockwise until the garden hose is securely attached to the sprinkler. Do not over-tighten.



- Push the switch up for regular sprinkler action. The sprayer (on the cap) turns with the ball.
- Slowly turn the water on at the spigot until the water sprays up from the cap.



- Push the switch down for sports sprinkler action.
- Slowly turn the water on at the spigot until the water spays up from the cap. Hit the ball and whack your friends!

## Care

- Surface wash the sprinkler with a mild soap and water solution. Rinse it clean with water to remove soap residue.
- Be sure to drain, rinse, clean and dry the sprinkler before storing.
- Drain water from the base (if used) before long-term storing.
- Store the sprinkler in a cool, dry area out of direct sunlight.
- Store the sprinkler indoors when the outside temperature drops below freezing.
- If the ball becomes soft, inflate it with a standard, hand operated pump with a standard air needle. Always wet the needle before inserting it into the ball.
- The ball will contain the correct amount of air when it measures 6" in diameter or 1.5 lbs. air pressure. Do not over-inflate the ball. Damage will occur if maximum diameter exceeds 7" or 4 lbs. air pressure.



### Questions?

**We'd like to hear from you!**

Call Fisher-Price® Consumer Affairs, toll-free at **1-800-432-KIDS**,  
8 AM - 6 PM EST Monday through Friday. Hearing-impaired consumers  
using TTY/TDD equipment, please call 1-800-382-7470. Or, write to:

Fisher-Price® Consumer Affairs  
636 Girard Avenue  
East Aurora, New York 14052.

If you have any questions about this product:

**In CANADA** - Mattel Canada Inc., 6155 Freemont Blvd., Mississauga, Ontario L5R 3W2. Questions? 1-800-567-7724.

**In GREAT BRITAIN** - Mattel U.K., Ltd., Helpline: 01628 500303.

**In AUSTRALIA** - Mattel Australia Pty. Ltd., 658 Church Street, Locked Bag #870, Richmond, Victoria 3121 Australia.  
Consumer Advisory Service 1-800-800-812 (valid only in Australia).

 Fisher-Price, Inc., a subsidiary of Mattel, Inc., East Aurora, New York 14052, U.S.A.

©1998 Mattel, Inc. All Rights Reserved.

® and ™ designate U.S. trademarks of Mattel, Inc.

Printed in Mexico  
72869 B 72869-0920