

# Fisher-Price®

## Cook 'n Clean™ Kitchen

Model Number 74845



*Some accessories shown in picture are not included.*

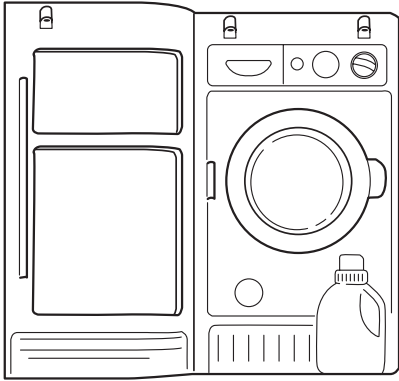
**Please keep these instructions for future reference.**

**Adult assembly is required.**

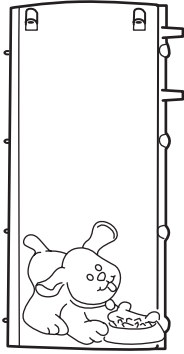
**Tool needed for assembly: Phillips screwdriver (not included).**

**If you experience a problem with this product, or are missing a part, please contact Fisher-Price® Consumer Affairs at 1-800-432-KIDS rather than return this product to the store.**

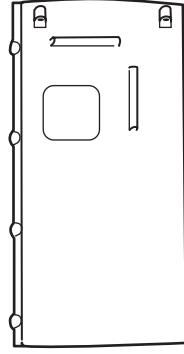
# Parts



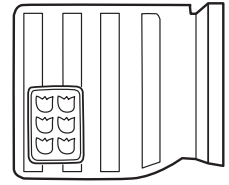
Front Panel



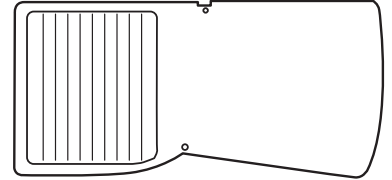
Side Panel  
w/Molded Puppy



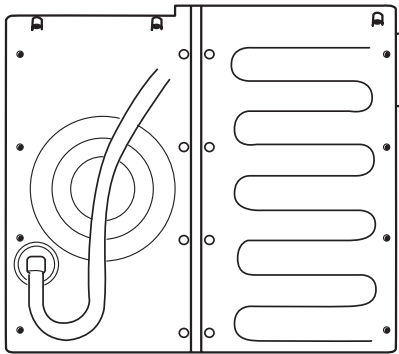
Side Panel



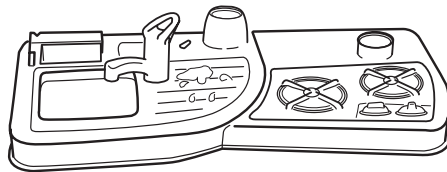
Freezer Shelf



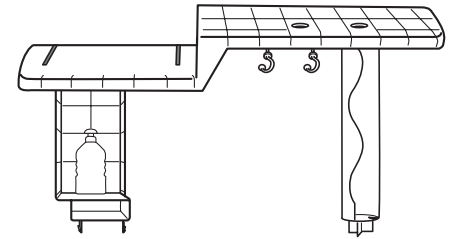
Base



Back Panel



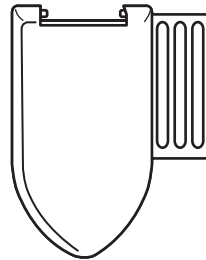
Countertop



Top Shelf



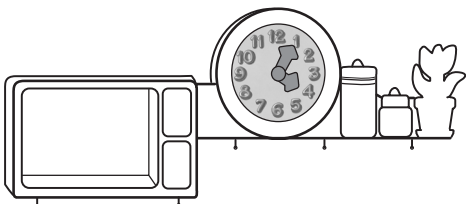
Ironing Board  
Support



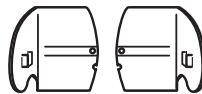
Ironing Board



Sink



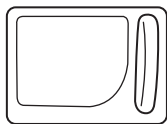
Microwave Oven/Clock Assembly



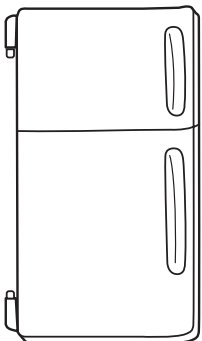
2 Towel Bar  
Holders



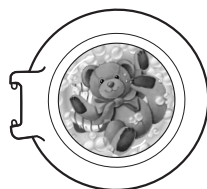
Towel Bar



Microwave  
Oven Door



Refrigerator Door



Washing Machine Door



#8 x 5/8" Screw - 30

**SHOWN  
ACTUAL SIZE**

## Parts Not Shown

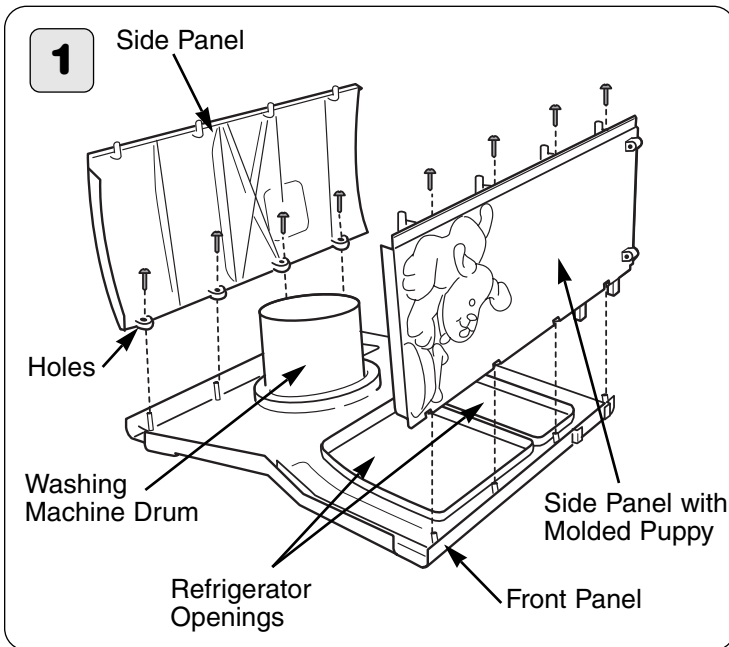
Label Sheet	Pot
Juicer	Pan
Iron	Lid
Ice Cube Tray	Spatula
Butter Dish	Soup Spoon
Butter	2 Plates
Scale	2 Glasses
Cookie Sheet	2 Forks
Lemon	2 Knives
2 Hangers	2 Spoons

# Assembly

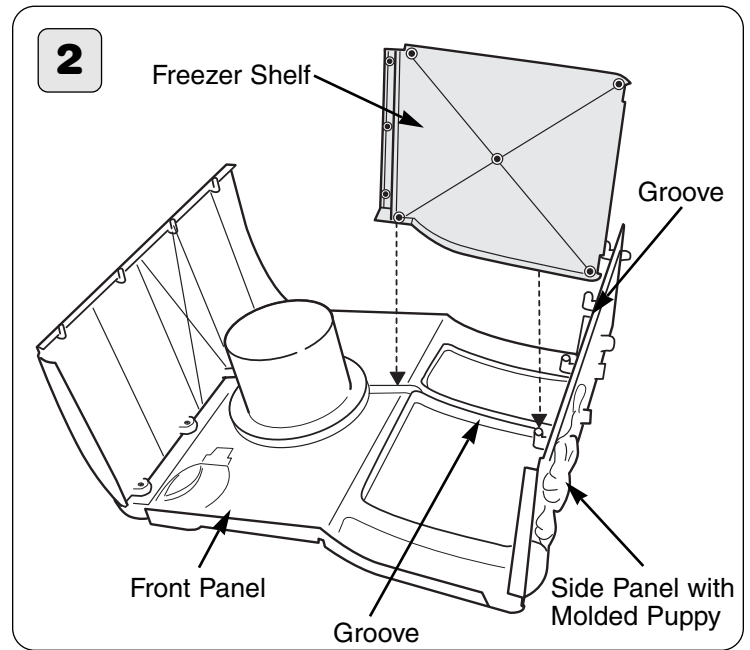
## ⚠ CAUTION

This package contains small parts.  
Adult assembly is required.

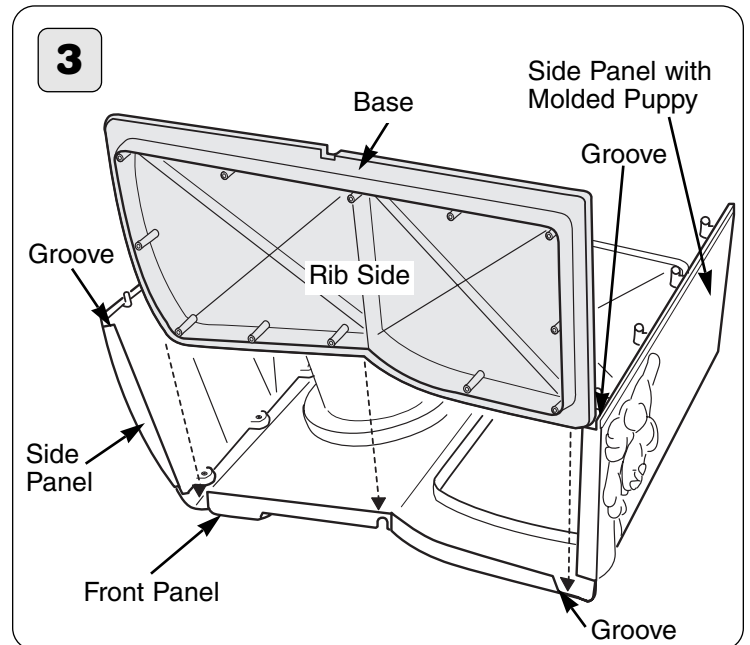
- Please wipe each part with a clean, dry cloth before assembly.
- Save all packaging material until assembly is complete to ensure that parts are not discarded.



- Place the front panel face down (with the washing machine drum facing up) on a flat surface.
- Position the side panel with molded puppy with the decoration outward. Fit the side panel with molded puppy to the front panel, near the refrigerator openings.
- Insert four screws through the holes in the side panel with molded puppy and into the front panel. Tighten the screws with a Phillips screwdriver. Do not over-tighten.
- Position the other side panel so that the hinge is outward. Fit the side panel to the front panel, near the washing machine drum.
- Insert four screws through the holes in the side panel and into the front panel. Tighten the screws with a Phillips screwdriver. Do not over-tighten.



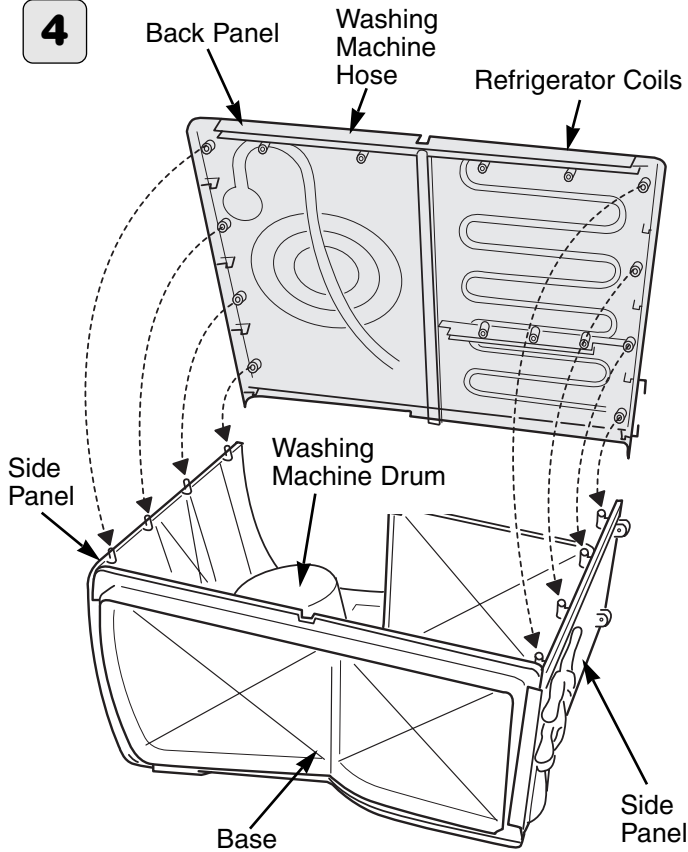
- Slide the freezer shelf into the grooves in the side panel with molded puppy and front panel.



- Position the base so that the ribs are outward.
- Slide the base into the grooves in both side panels.
- Insert and “snap” the base into the groove in the front panel. Pull up on the base to be sure it is secure to both side panels and the front panel.

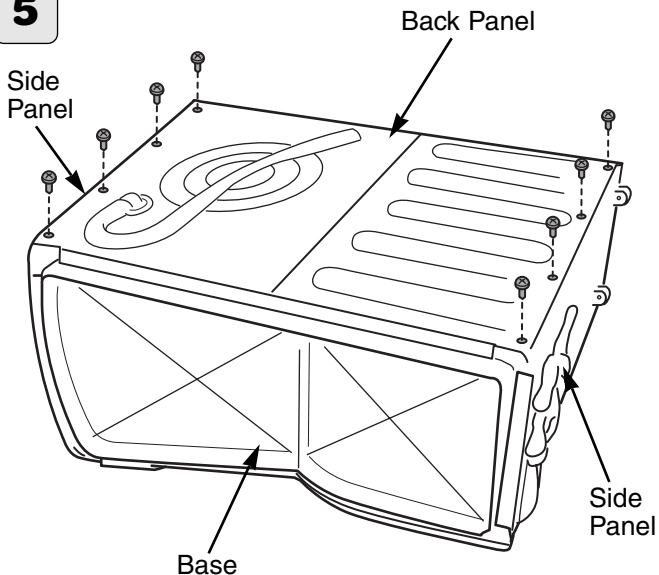
# Assembly

**4**



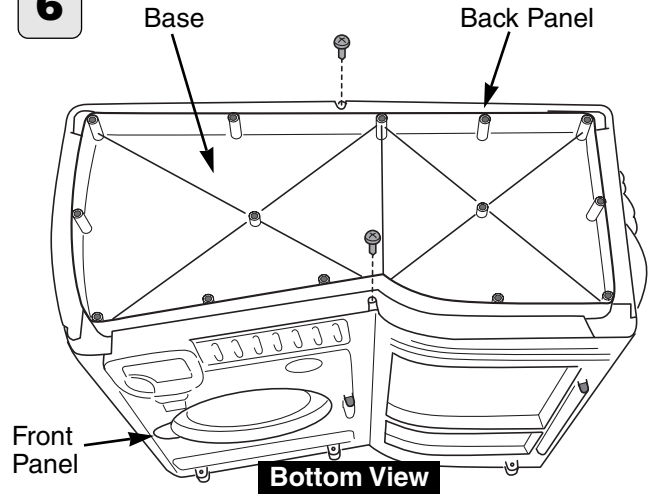
- Position the back panel with the molded detail upright. Make sure the refrigerator coils are over the refrigerator openings and the washing machine hose is over the washing machine drum.
- Fit the back panel onto the side panels and base.

**5**



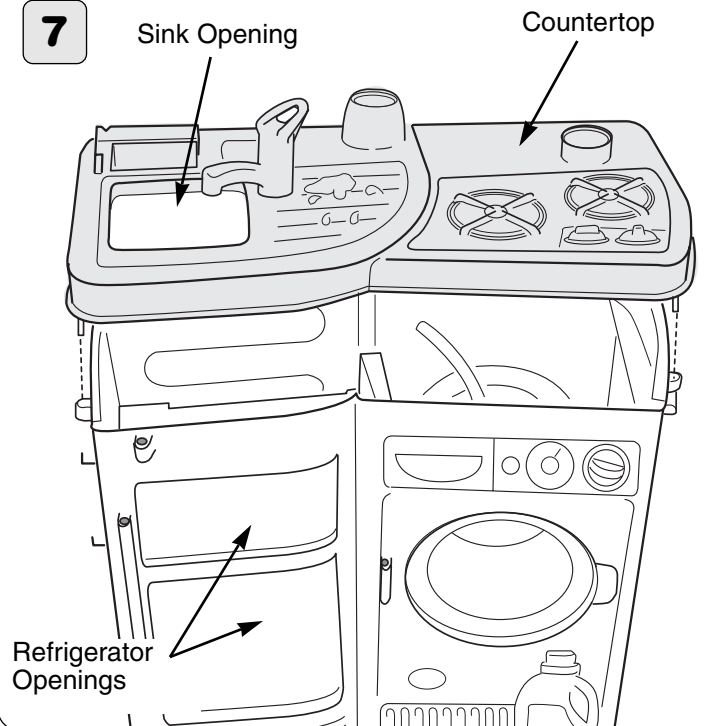
- Insert eight screws through the back panel and into the side panels and base. Tighten the screws with a Phillips screwdriver. Do not over-tighten.

**6**



- Turn the assembly upside down on a flat surface.
- Insert two screws through the front and back panels and into the base. Tighten the screws with a Phillips screwdriver. Do not over-tighten.

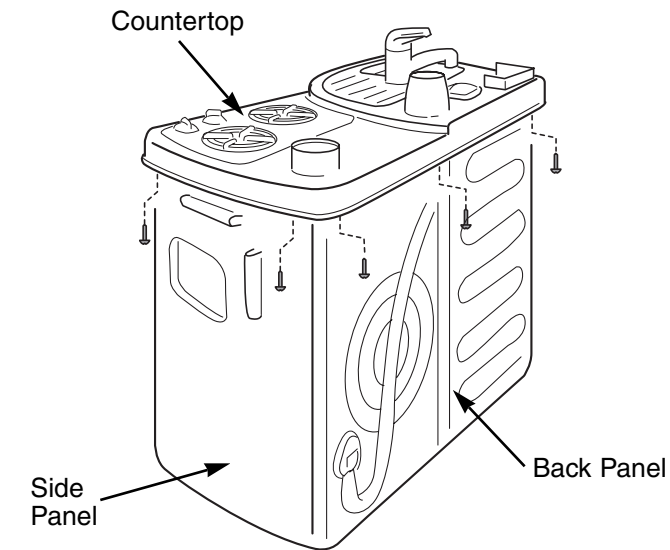
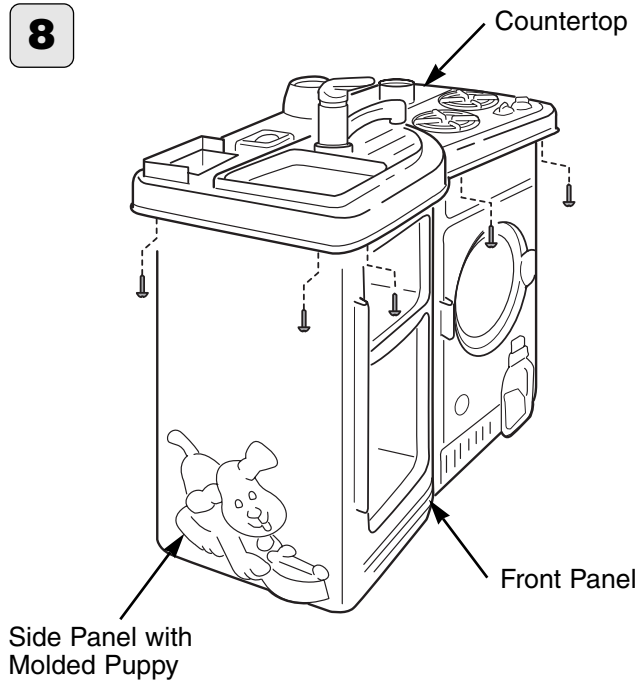
**7**



- Turn the assembly upright.
- Position the countertop so that the sink opening is above the refrigerator openings.
- Fit the countertop to the assembly.

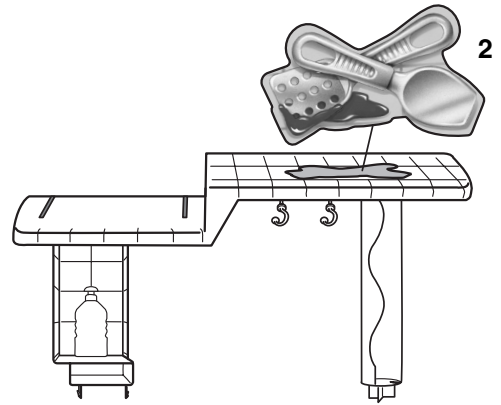
# Assembly

8



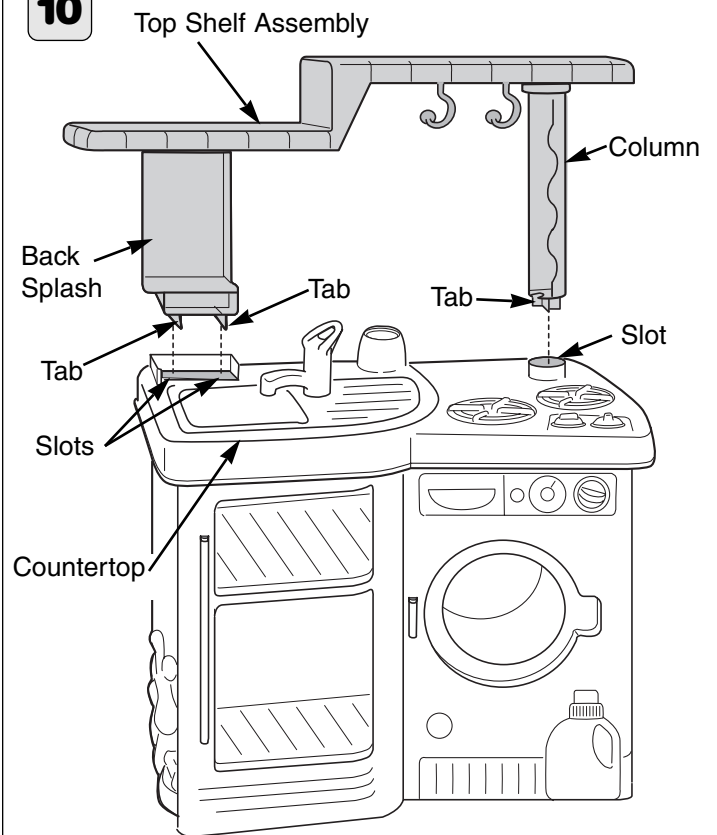
- Insert five screws through the front and side panel with molded puppy and into the countertop. Tighten the screws with a Phillips screwdriver. Do not over-tighten.
- Insert five screws through the back and side panel and into the countertop. Tighten the screws with a Phillips screwdriver. Do not over-tighten.

9



- Before assembling the top shelf to the countertop, apply decorative label #2, as shown.
- Please see the “Decoration” section for additional information on how to apply label.

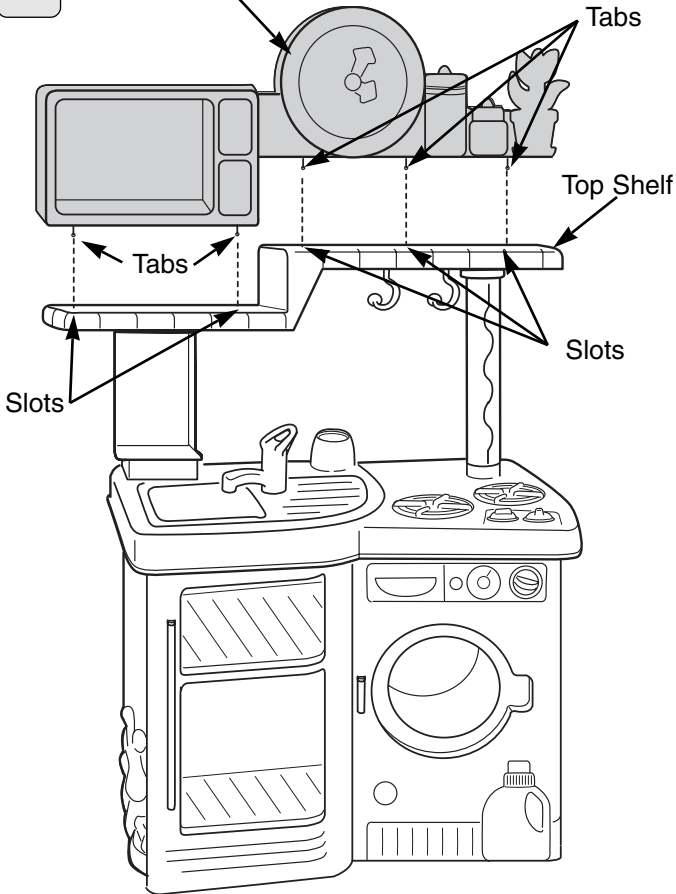
10



- Position the top shelf over the countertop.
- Insert and “**snap**” the tabs on the back splash and column into the slots in the countertop.

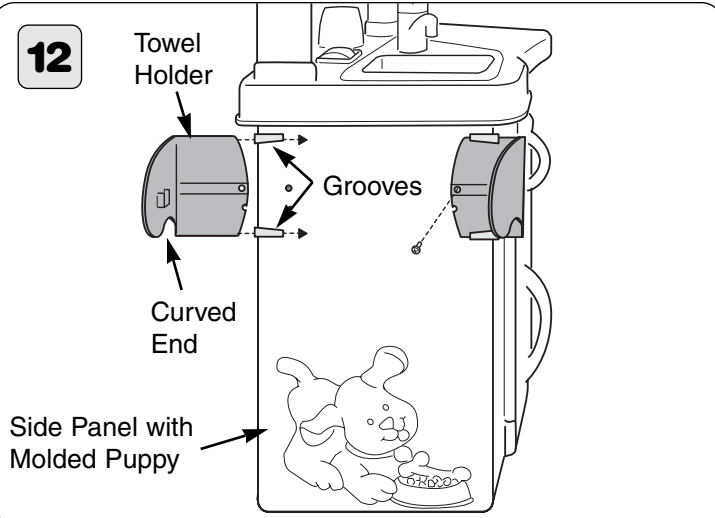
# Assembly

## 11 Microwave/Clock Assembly



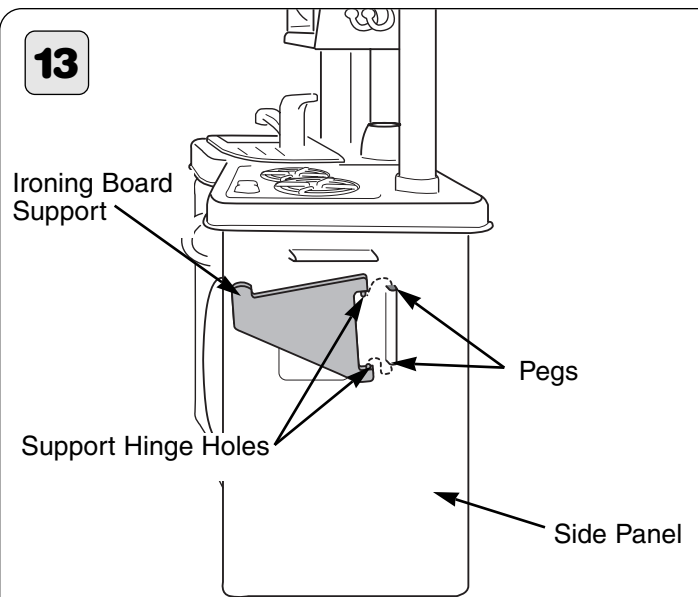
- Insert and “**snap**” the five tabs on the microwave/clock assembly into the slots in the top shelf.

## 12



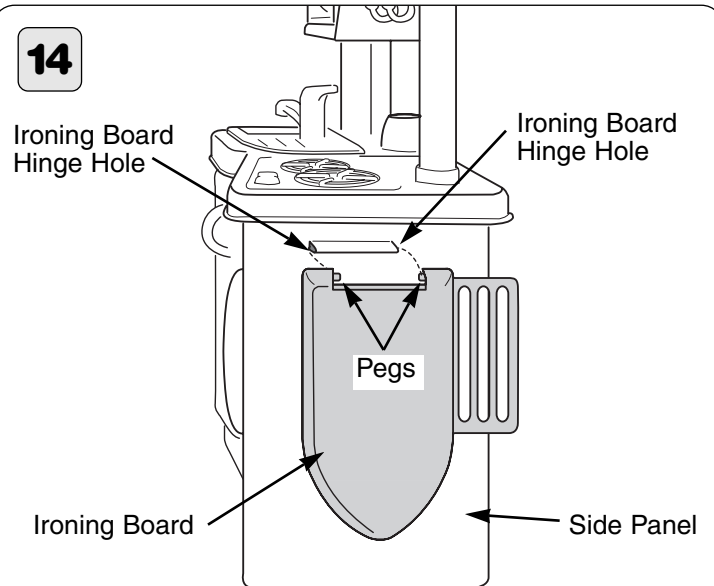
- Position a towel holder so that the curved end is down.
- Slide the tabs on the towel holder into the grooves on the side panel with molded puppy.
- Insert a screw through the towel holder and into the side panel with molded puppy.
- Tighten the screw with a Phillips screwdriver. Do not over-tighten.
- Repeat this procedure to attach the other towel holder to the side panel with molded puppy.

## 13



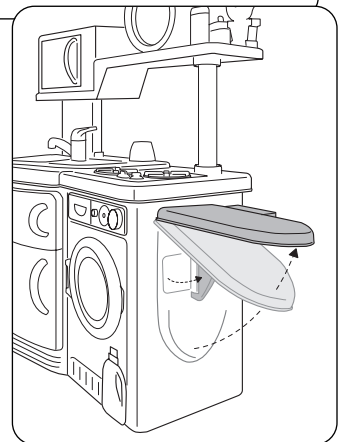
- At an angle, insert the ironing board support upper peg into the upper support hinge hole in the side panel.
- Then, “**snap**” the bottom peg into the bottom support hinge hole in the side panel.

## 14



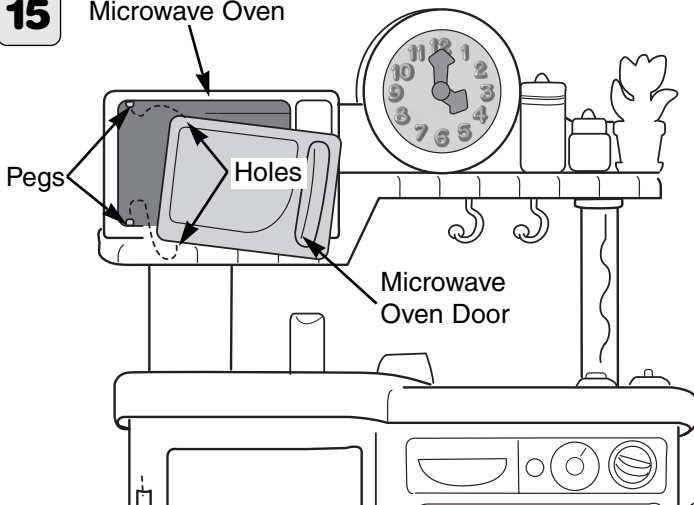
- Position the ironing board with the molded detail outward.
- At an angle, insert the ironing board back peg into the back ironing board hinge hole in the side panel.
- Then, “**snap**” the front peg into the front ironing board hinge hole in the side panel.

**Hint:** To use the ironing board, lift the ironing board and position the ironing board support under it. To store the ironing board simply fold the ironing board support flat against the side panel. Lower the ironing board.



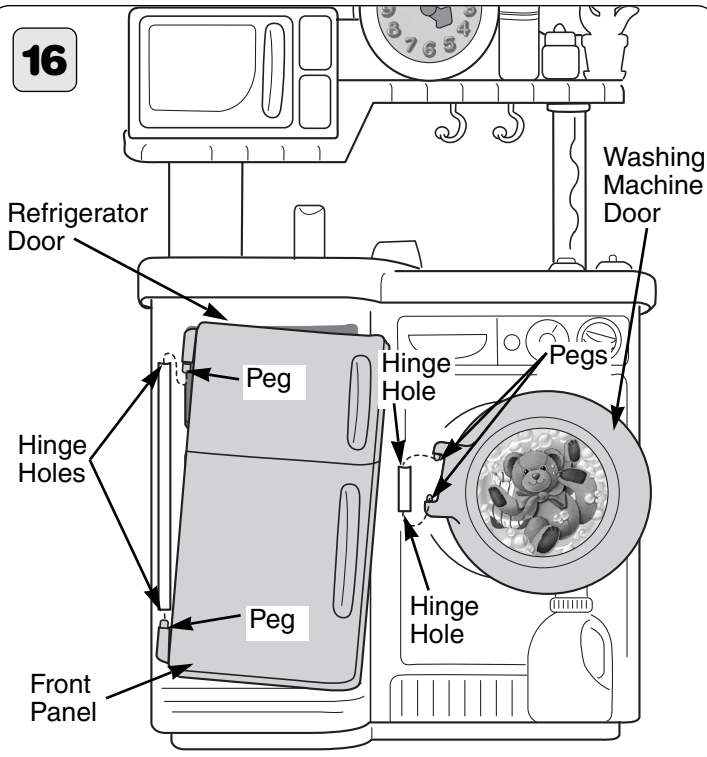
# Assembly

## 15 Microwave Oven



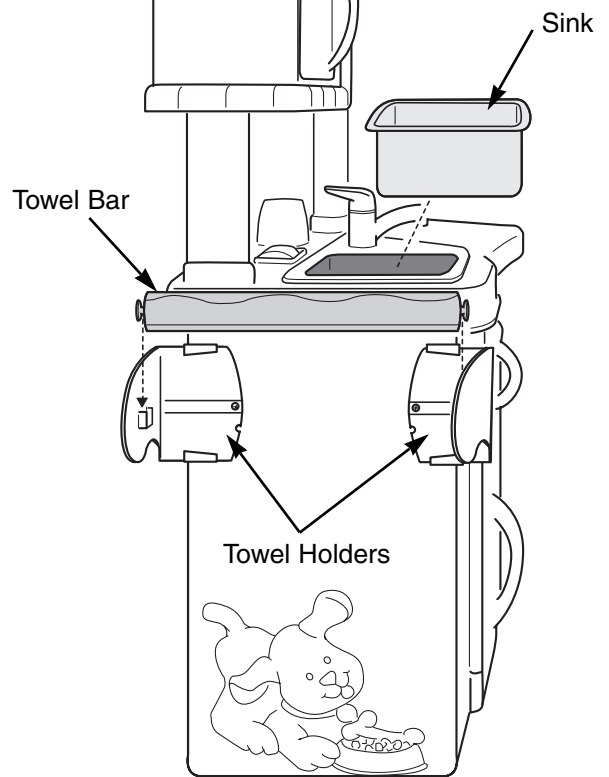
- Position the microwave oven door with the handle facing out.
- At an angle, fit the bottom hole on the microwave oven door over the bottom peg on the microwave oven.
- Then, guide the top hole on the microwave oven door over the top peg on the microwave oven.

## 16



- Position the kitchen assembly front side up on a flat surface.
- Position the refrigerator door with the handle facing up.
- At an angle, fit the refrigerator door lower peg into the lower hole in the hinge on the front panel.
- Then, “**snap**” the refrigerator upper peg into the upper hole in the hinge on the front panel.
- Position the washing machine door with the decoration facing up.
- At an angle, fit the washing machine door lower peg into the lower hole in the hinge on the front panel.
- Then, “**snap**” the washing machine door upper peg into the upper hole in the hinge on the front panel.

## 17



- Turn the kitchen assembly upright.
- Fit the sink into the countertop.
- Slide the pegs on the towel bar into the slots in the towel holders.

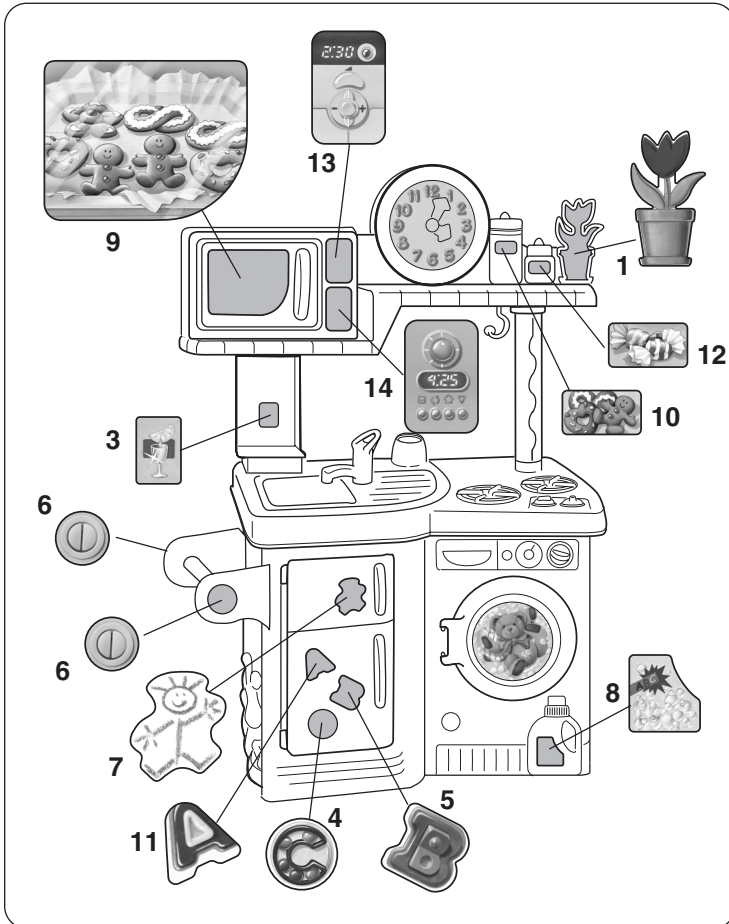
### Hints:

- *The towel holder holds a roll of real paper towels! Simply fit the paper towels over the towel bar and fit it into the towel holders.*
- *Or, use the towel holder as a towel rack!*
- *For real clean-up fun, remove the sink, fill with water and replace into the countertop.*

## Decoration

**Proper label application will help to keep the labels looking their best.**

- Wash your hands before applying the labels.
- Make sure the areas where the labels will be applied are clean and dry. Wipe this product with a clean, soft, dry cloth to remove any dust or oils.
- For best results, do not attempt to apply a label more than once.
- Apply the labels as shown in the illustrations.



## Care

- Before using the cooking and eating utensils, hand wash them in hot, soapy water.
- Check the plastic parts regularly and if broken or cracked, dispose of them properly.
- Check all fasteners regularly to be sure they are tight. If the fasteners are not tight, tighten them as necessary.
- To clean, wipe the surface of this toy with a mild soap and water solution and clean cloth. Rinse clean with water to remove soap residue. Do not immerse this toy.

## Consumer Information



**Questions? We'd like to hear from you!**

Call Fisher-Price® Consumer Affairs, toll-free at **1-800-432-KIDS**, 8 AM - 6 PM EST Monday through Friday. Hearing-impaired consumers using TTY/TDD equipment, please call 1-800-382-7470. Or, write to:

Fisher-Price® Consumer Affairs  
636 Girard Avenue  
East Aurora, New York 14052

[www.fisher-price.com](http://www.fisher-price.com)