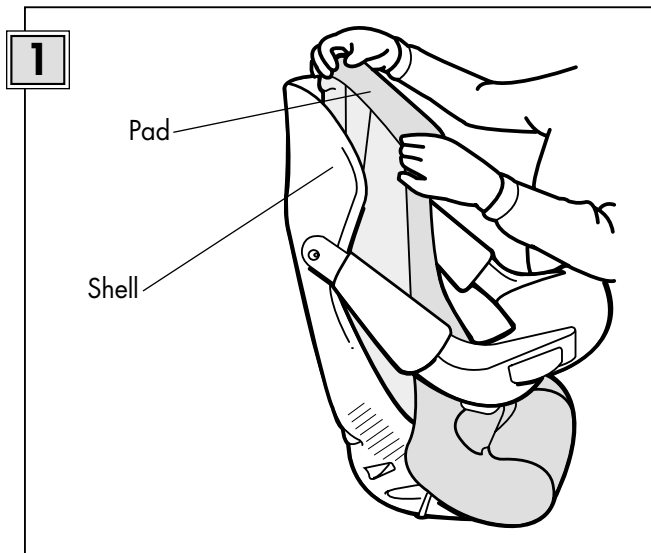


## Futura 20/60™ Car Seat Tether Strap Kit Instructions

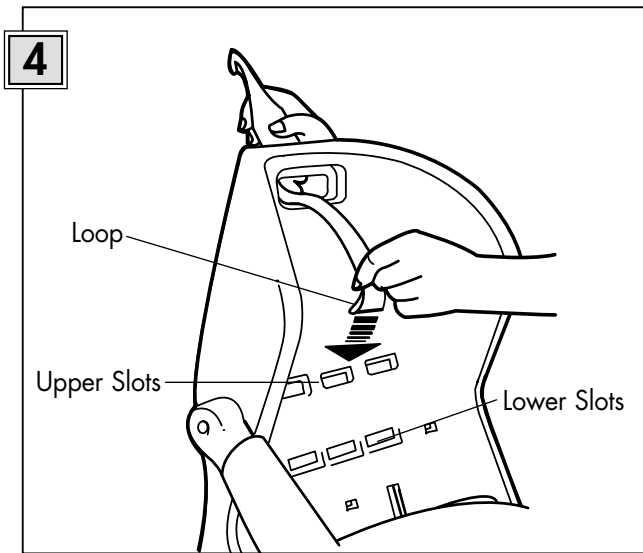
Model Numbers 79013, 79014

Tools needed for tether strap attachment: Screwdriver or other blunt object, Hammer.  
Tools needed for tether anchor installation (if needed): Drill with  $\frac{5}{16}$ " Bit and two Wrenches.

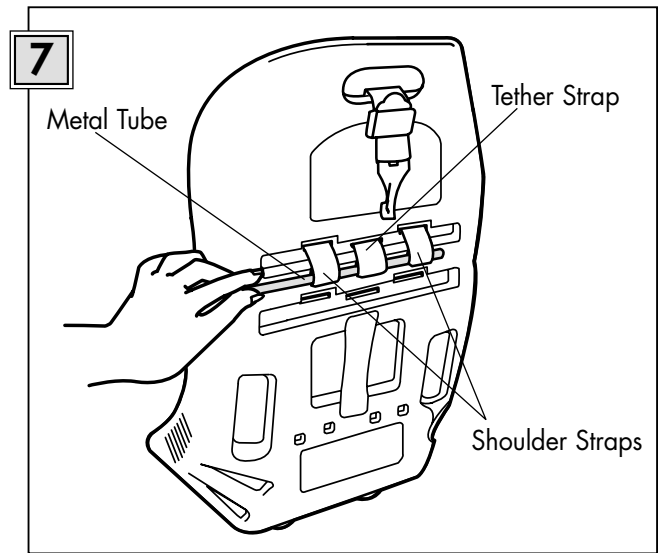
### Tether Strap Installation



- 1 Remove the top of the pad from the top of the car seat shell.



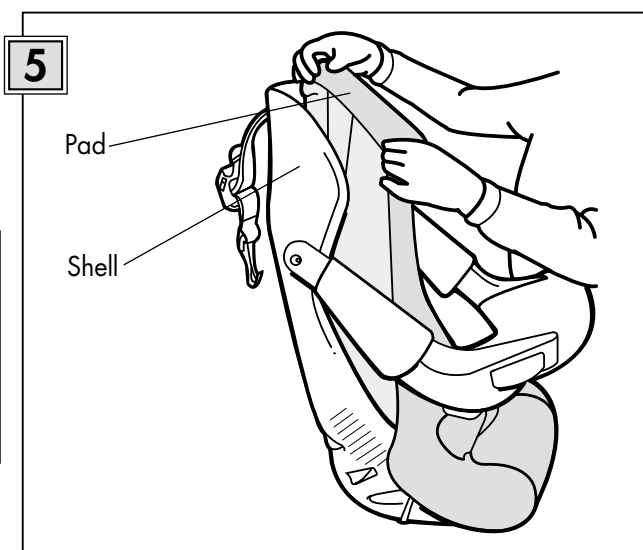
- 4 **IMPORTANT!** Before you complete this step – please take notice of the location you have selected for the shoulder straps. If the shoulder straps are inserted into the lower shoulder strap slots – the tether strap will be inserted through the lower center slot. If the shoulder straps are inserted into the upper shoulder strap slots – the tether strap will be inserted through the upper, center slot.
- Insert the loop end of the tether strap through either the upper, center slot or the lower, center slot.



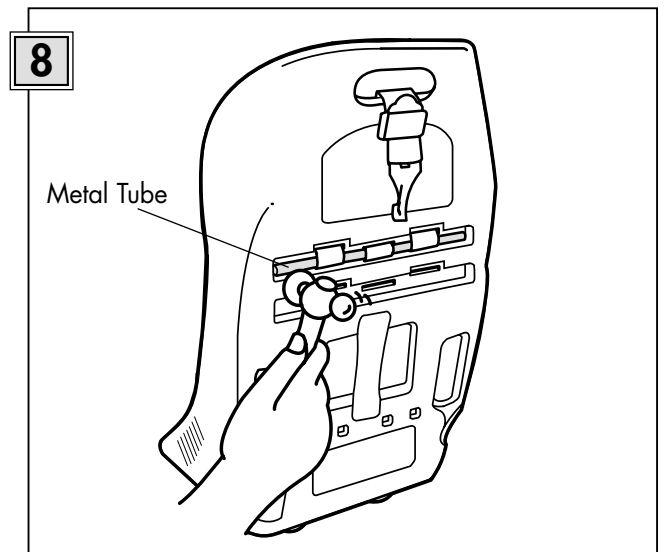
- 7 Turn the car seat around so that the back is facing you. Fit the metal tube through the loops in the shoulder straps **and tether strap**.



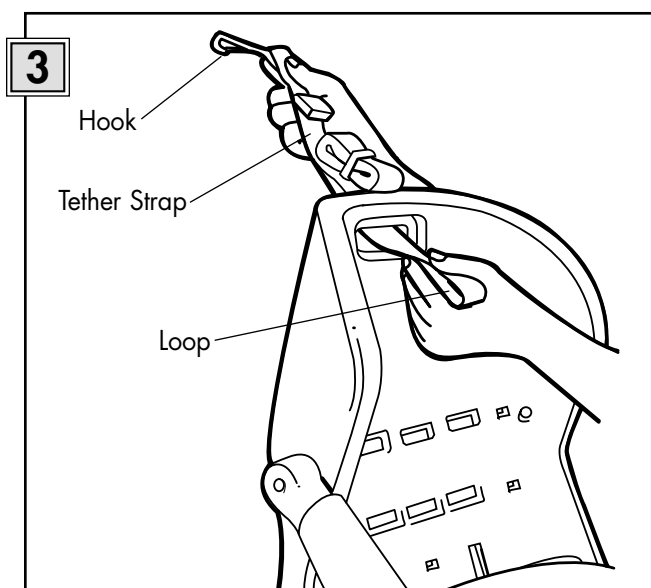
- 2 Fit the end of a blunt object, such as a screwdriver, into the end of the metal tube on the back of the car seat. Pry the metal tube from the groove in the shell.
- Remove the metal tube from the shoulder straps. Set the metal tube aside.



- 5 While holding the tether strap in place, carefully fit the top of the pad back onto the top of the shell.



- 8 While pushing the plastic grommets from the front of the car seat (one at a time) tap the metal tube (near each plastic grommet) into the groove in the shell. Make sure the metal tube “snaps” into place. The metal tube should be **completely inserted** into the groove so that it is below the surrounding outer surface.
- Note:** If the metal tube does not “snap” into place or if the plastic grommets are not secured to the shell, you probably have not inserted the plastic grommets with the hooked end up. Please re-read step 6.



- 3 Position the tether strap so that the hook is facing down. **IMPORTANT!** If the hook is not facing down, you will not be able to use the tether strap properly.
- Insert the loop end of the tether strap through the large slot in the top of the shell, as shown.



- 6 Position the plastic grommets so that the hooked ends are up.
- Re-insert the plastic grommets into the selected shoulder strap slots.
- Re-insert the shoulder straps through the plastic grommets and slots in the shell. **Make sure the shoulder straps are not twisted.**

## Tether Anchor Installation

### Notes:

- Installation of the tether anchor may require two adults.
- If your vehicle is a model year 2000 or newer, it probably has a factory installed tether anchor. Please see your vehicle owner's manual.

If your vehicle was manufactured **in or after 1985**, Fisher-Price® recommends that you contact your vehicle dealer to obtain a tether anchor kit that is specifically designed for your vehicle. Most vehicle manufacturers supply these kits free of charge. When requesting a tether anchor kit, be sure to specify the vehicle seating location in which you intend to install the car seat. To determine the seating location that provides a tight fit for your car seat, pre-install the car seat in your vehicle. Follow the instructions in your Futura 20/60™ Owner's Manual, ("Installing Your Car Seat in a Vehicle"), beginning on page 24.

If your vehicle was manufactured **before 1985** or a tether anchor kit is not available for your particular vehicle, use the universal tether anchor provided in this kit and refer to the instructions that follow in this section to install the tether anchor.

**Hint:** Refer to your vehicle owner's manual for information

**1** tether straps. Look for "tether" or "top strap" in the seat belt/restraint section.

### Before you install your tether anchor...

Choose an acceptable vehicle seating location for the car seat. Follow the instructions in your Futura 20/60™ Owner's Manual, "Selecting a Vehicle Seating Location" pages 14 and 15 for general information on choosing a vehicle seating location. To determine the seating location that provides a tight fit for your car seat, pre-install the car seat in your vehicle. Follow the instructions in your Futura 20/60™ Owner's Manual, ("Installing Your Car Seat in a Vehicle"), beginning on page 24.

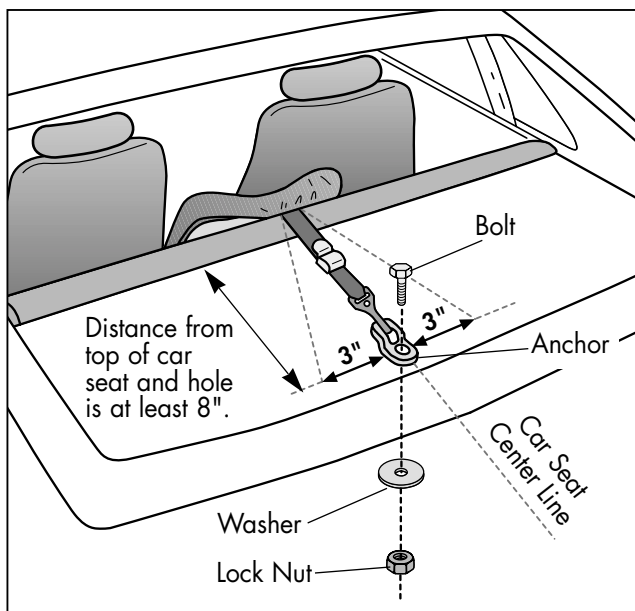
You also need to choose an acceptable location for the tether anchor. Make sure the location is:

- through solid metal,
- 1 1/4" away from any edge or large hole (speaker holes, defroster vent holes, etc.),
- clear of wires, fuel or brake lines,
- accessible to allow the attachment of a washer and nut,
- **NOT** a removable panel, luggage cover, spare tire cover or any screw-on panel.

**3**

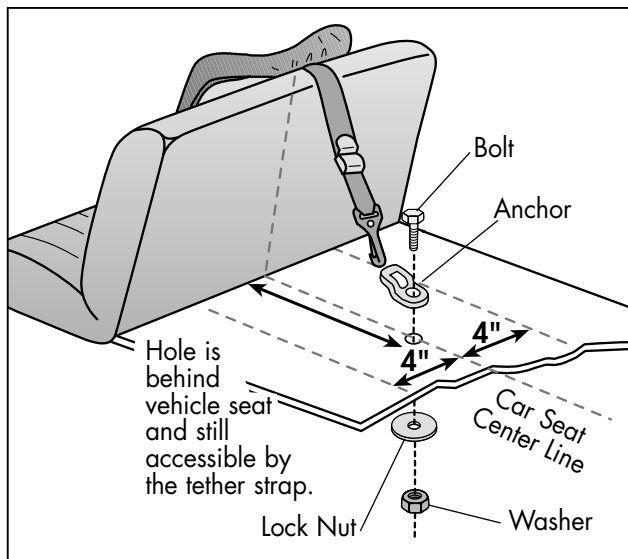
Determine which type of vehicle you have: 2-door or 4-door car; van, station wagon, hatchback; sport utility vehicle or pick-up truck.

## Tether Anchor Installation 2-Door and 4-Door Car



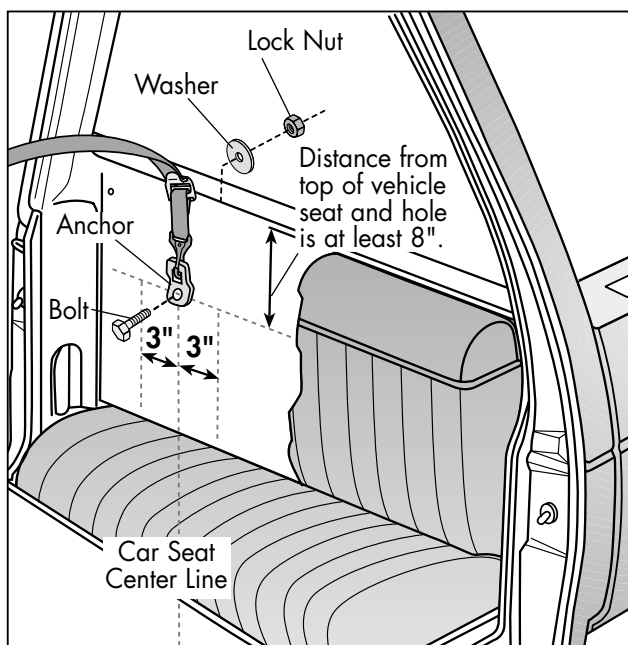
- If a pre-drilled hole does not exist, you will have to drill a 5/16" hole. (Be sure to wear appropriate eye protection when drilling.) Make sure the hole is at least 8" away from the top and no more than 3" from the center line of the car seat.
- Insert the bolt through the anchor.
- Insert the end of the bolt into the hole inside your vehicle.
- Open the trunk of your vehicle and attach the washer and lock nut to the end of the bolt. While holding the bolt tight with a wrench, tighten the lock nut securely with another wrench.

## Tether Anchor Installation Van, Hatchback, Station Wagon, Sport Utility Vehicle



- If a pre-drilled hole does not exist, you will have to drill a 5/16" hole. (Be sure to wear appropriate eye protection when drilling.) Make sure the hole is behind the vehicle seat and still accessible by the tether strap; and no more than 4" from the center line of car seat.
- Insert the bolt through the anchor.
- Insert the end of the bolt into the hole inside your vehicle.
- From the outside or underside of your vehicle, attach the washer and lock nut to the end of the bolt. While holding the bolt tight with a wrench, tighten the lock nut securely with another wrench. If the drilled hole is on the floor of your vehicle, use a silicone caulk to seal out water and exhaust fumes.

## Tether Anchor Installation Pick-Up Truck



- If a pre-drilled hole does not exist, you will have to drill a 5/16" hole. (Be sure to wear appropriate eye protection when drilling.) Make sure the hole is at least 8" from the top of the vehicle seat and no more than 3" from the center line of the car seat.
- Insert the bolt through the anchor.
- Insert the end of the bolt into the hole inside your vehicle.
- From the outside of your vehicle, attach the washer and lock nut to the end of the bolt. While holding the bolt tight with a wrench, tighten the lock nut securely with another wrench. Use a silicone caulk around the drilled hole to seal out water and exhaust fumes.

## Installing Your Car Seat in a Vehicle

Follow the instructions in your Futura 20/60™ Car Seat Owner's Manual to install your car seat, beginning on page 24. After you complete step 10 on page 32, follow these instructions.



- Attach the tether strap hook to the tether anchor.
  - Pull the free end of the tether strap to tighten.
  - Fold or roll the excess tether strap and tuck it between the car seat and the vehicle seat.
  - To remove the tether strap from the tether anchor, lift the tab on the adjuster to loosen the tether strap. Remove the tether strap hook from the tether anchor.
- IMPORTANT!** Refer back to your Futura 20/60™ Car Seat Owner's Manual, page 33, step 10 to test your installation of the car seat.



### Questions? We'd like to hear from you!

Call Fisher-Price® Consumer Affairs, toll-free at **1-800-432-KIDS**, 8 AM - 5 PM EST Monday through Friday. Hearing-impaired consumers using TTY/TDD equipment, please call 1-800-382-7470. Or, write to: Fisher-Price® Consumer Affairs, 636 Girard Avenue, East Aurora, New York 14052.