



Please keep this instruction sheet for future reference, as it contains important information.

Adult assembly is required.

Tool needed for assembly and battery installation:
Phillips screwdriver (not included).

Requires three, size "AA" (LR6) alkaline batteries
for operation (not included).



www.fisher-price.com

Home Sweet Home™

Parts

CAUTION

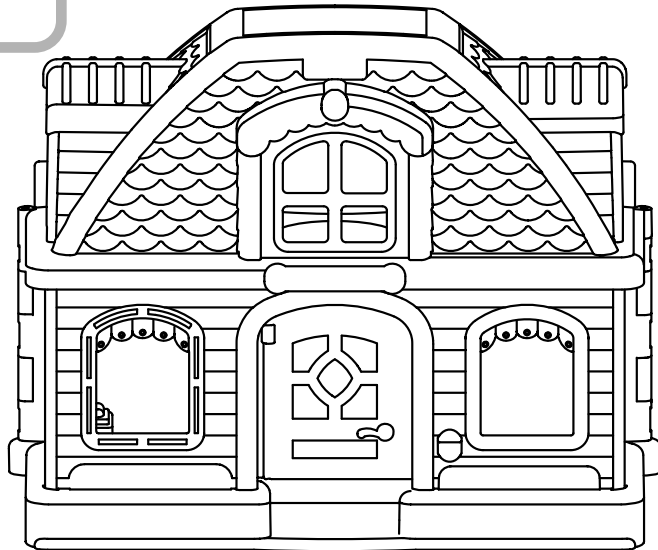
This product contains small parts in its unassembled state.
Adult assembly is required.



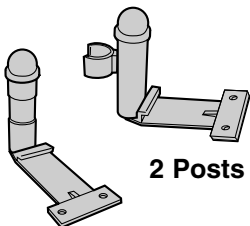
#6 x 1/2" Screw - 4
Shown Actual Size

Parts Not Shown:

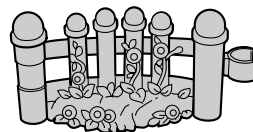
3 Figures
Table
2 Chairs
Stroller
Play Center
Bed
Label Sheet



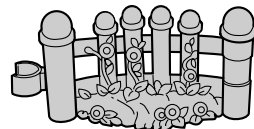
House



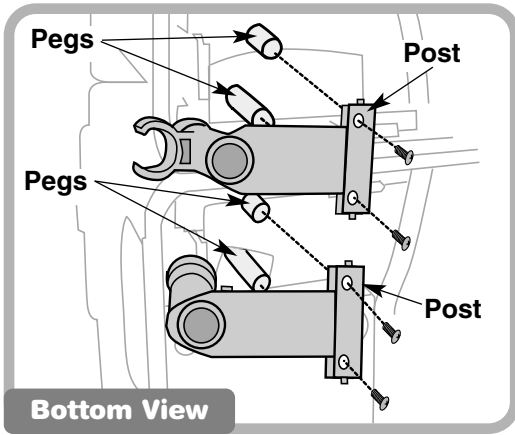
2 Posts



2 Fences

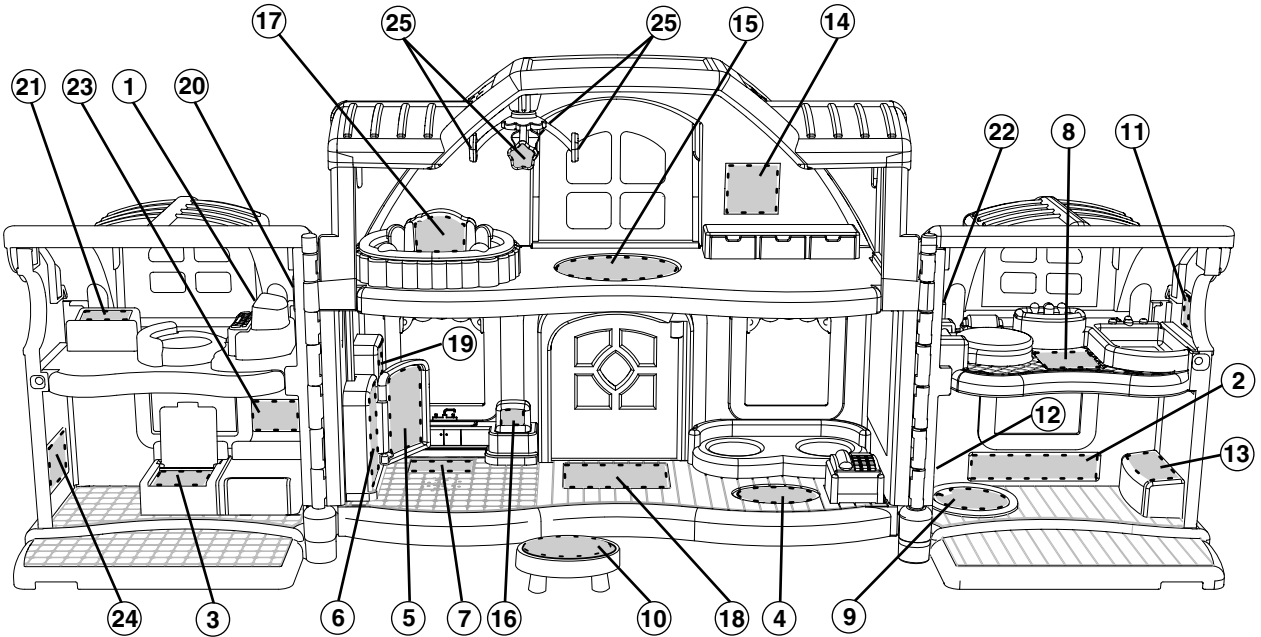


Assembly



- Position the house so the bottom is facing you.
- Align the holes in a post with the matching pegs on the bottom of the house as shown.
- Insert two screws through the post and into the pegs. Tighten the screws with a Phillips screwdriver. Do not over-tighten.
- Repeat this procedure to attach the other post.
- Set the house upright.

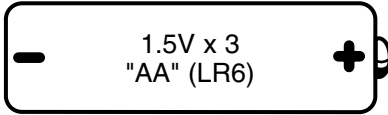
Let's Decorate the House!



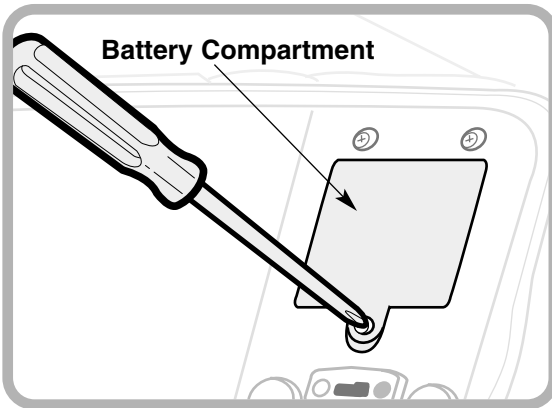
Proper label application will help to keep the labels looking their best!

- Make sure the areas where the labels will be applied are clean and dry. Wipe this product with a clean, soft, dry cloth to remove any dust or oils.
- For best results, do not attempt to apply a label more than once.
- Apply the labels as shown in the illustration above.

Battery Installation



SHOWN ACTUAL SIZE



Hint: We recommend using **alkaline** batteries for longer battery life.

- Locate the battery compartment on the bottom of the toy.
- Loosen the screw in the battery compartment door with a Phillips screwdriver. Remove the battery compartment door.
- Insert three, new "AA" (LR6) **alkaline** batteries, as indicated inside the battery compartment.
- Replace the battery compartment door and tighten the screw with a Phillips screwdriver. Do not over-tighten.
- When sounds from this toy become faint or stop, it's time for an adult to change the batteries!

Battery Safety Information

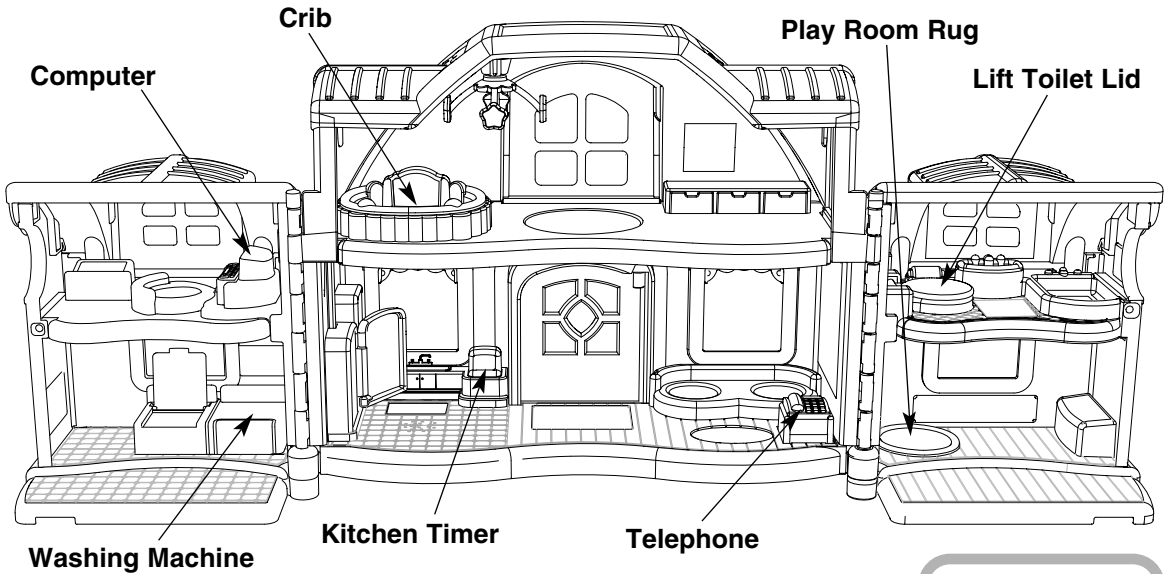
Battery Safety Information

Batteries may leak fluids that can cause a chemical burn injury or ruin your toy. To avoid battery leakage:

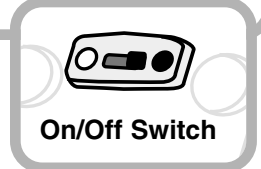
- Do not mix old and new batteries or batteries of different types: alkaline, standard (carbon-zinc) or rechargeable (nickel-cadmium).
- Insert batteries as indicated on the battery compartment door.
- Remove batteries during long periods of non-use. Always remove exhausted batteries from the toy. Dispose of batteries safely. Do not dispose of batteries in a fire. The batteries may explode or leak.
- Never short-circuit the battery terminals.
- Use only batteries of the same or equivalent type, as recommended.
- Do not charge non-rechargeable batteries.
- Remove rechargeable batteries from the toy before charging.
- If removable, rechargeable batteries are used, they are only to be charged under adult supervision.

Fun Sounds in Every Room!

Press these buttons around the house to hear many fun sound effects.



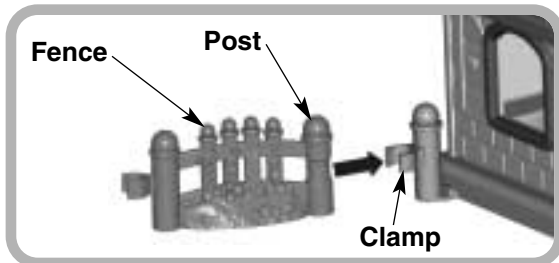
- Locate the On/Off switch on the bottom of the toy.
- Slide the switch to the ● position to turn the toy on and to the ○ position to turn it off.



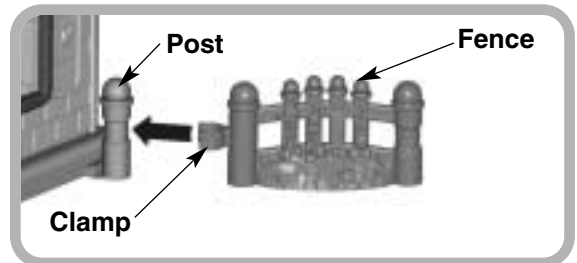
Hint: If your child is not actively playing with this toy, it turns off automatically (sleep mode).

- When your child is finished playing with this toy, slide the On/Off switch to the off position ○.

Attaching the Fences



- Push the post on the end of a fence onto the clamp on the base of the toy to "snap" the two parts together.



- Push the clamp on one end of a fence onto the post on the base of the toy to "snap" the two parts together.

Care

- Wipe the toy with a clean cloth dampened with a mild soap and water solution.
- Do not immerse the toy.

Consumer Information

Questions? We'd like to hear from you!

Call Fisher-Price® Consumer Relations, toll-free at **1-800-432-5437**, 8 AM - 6 PM EST Monday through Friday. Hearing-impaired consumers using TTY/TDD equipment, please call 1-800-382-7470. Or, write to: Fisher-Price® Consumer Relations, 636 Girard Avenue, East Aurora, New York 14052.

FCC Note (United States Only)

Note: This equipment has been tested and found to comply with the limits for a Class B digital device, pursuant to Part 15 of the FCC Rules. These limits are designed to provide reasonable protection against harmful interference in a residential installation. This equipment generates, uses and can radiate radio frequency energy and, if not installed and used in accordance with the instructions, may cause harmful interference to radio communications. However, there is no guarantee that interference will not occur in a particular installation. If this equipment does cause harmful interference to radio or television reception, which can be determined by turning the equipment off and on, the user is encouraged to try to correct the interference by one or more of the following measures:

- Reorient or relocate the receiving antenna.
- Increase the separation between the equipment and receiver.
- Consult the dealer or an experienced radio/TV technician for help.

Note: Changes or modifications not expressly approved by the manufacturer responsible for compliance could void the user's authority to operate the equipment.

For countries outside the United States:

CANADA Questions? 1-800-567-7724. Mattel Canada Inc., 6155 Freemont Blvd., Mississauga, Ontario L5R 3W2.

GREAT BRITAIN Mattel UK Ltd, Vanwall Business Park, Maidenhead SL6 4UB. Helpline: 01628 500302.

AUSTRALIA Mattel Australia Pty. Ltd., 658 Church Street, Locked Bag #870, Richmond, Victoria 3121 Australia. Consumer Advisory Service 1300 135 312.

NEW ZEALAND 16-18 William Pickering Drive, Albany 1331, Auckland.

ASIA Mattel East Asia Ltd, Room 1106, South Tower, World Finance Centre, Harbour City, Tsimshatsui, HK, China.