



Keep this instruction sheet for future reference, as it contains important information.



Requires four AA (LR6) **alkaline** batteries (not included) for operation.



Adult assembly is required. Tool required for battery installation: Phillips screwdriver (not included).



Wipe this toy with a clean, damp cloth. Do not immerse in water.

CHG26



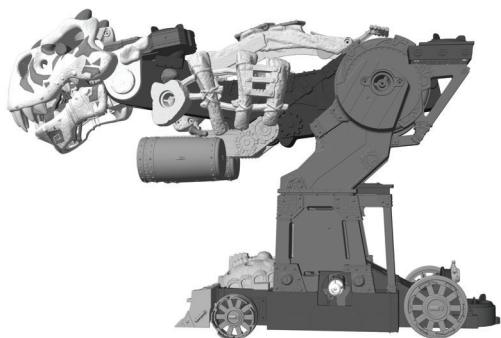
TM

imaginext®

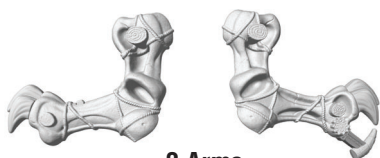
IMAGINEXT.COM

Fisher-Price®

Assembled Parts



Body



2 Arms

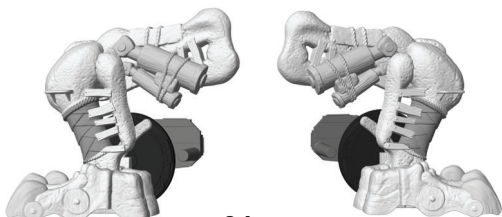


Ladder

Hint: This may be factory assembled.

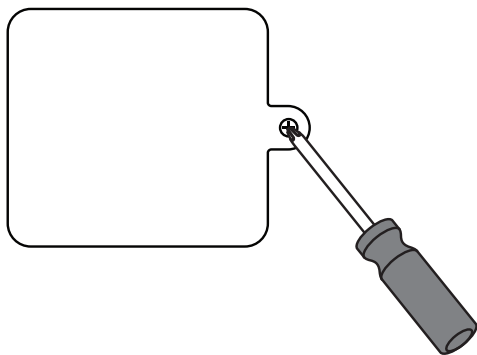


Tail



2 Legs

Battery Installation

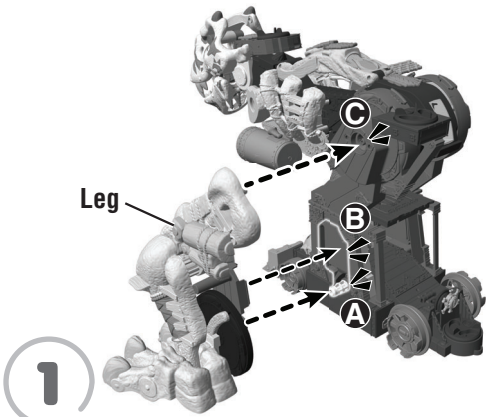


- For longer life, use **alkaline** batteries.
- Locate the battery door on the bottom of the toy.
- Loosen the screw in the battery compartment door and remove the door.
- Insert four AA (LR6) **alkaline** batteries.
- Replace the battery compartment door and tighten the screw. Do not over-tighten.
- If this toy begins to operate erratically, you may need to reset the electronics. Slide the power switch off and back on.
- When sounds/lights/motion become faint or stop, it's time for an adult to change the batteries.



- Protect the environment by not disposing of this product with household waste (2012/19/EU). Check your local authority for recycling advice and facilities.

Assembly



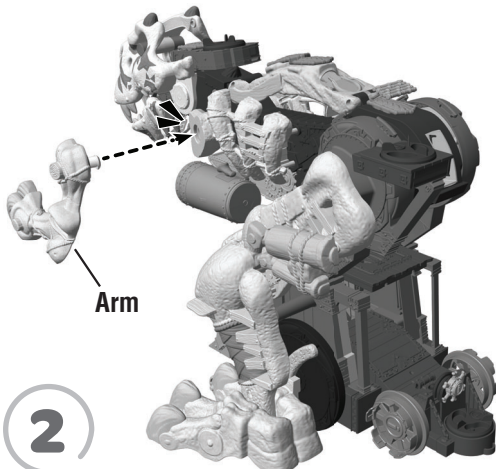
1

Hint: You may want to lay the body on its side to assemble the legs to the body.

- First, “**snap**” the bottom of the leg onto the body **A**.
- Next, “**snap**” the tab on the bottom of the leg into the body **B**.
- Then, insert and “**snap**” the peg on the top of the leg into the socket in the body **C**.

Hint: The legs are designed to fit onto the body one way. If a leg does not seem to fit, try assembling it to the other side.

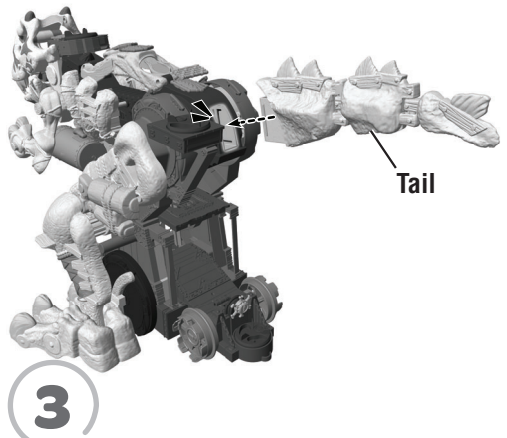
- Repeat this procedure to assemble the other leg to the body.



2

- “**Snap**” each arm onto the upper body.

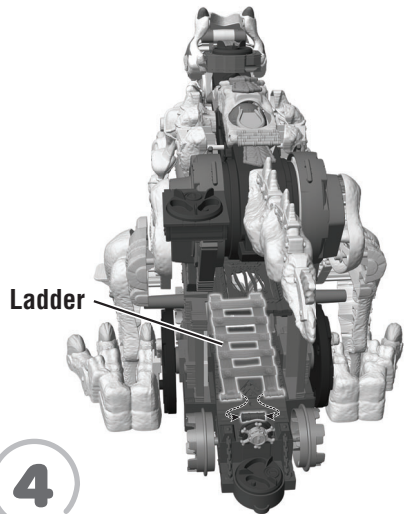
Hint: The arms are designed to fit onto the body one way. If an arm does not seem to fit, try assembling it to the other side of the body.



3

- “**Snap**” the tail onto body.

Hint: The tail is designed to fit onto the body one way. If it does not seem to fit, turn it around and try again.



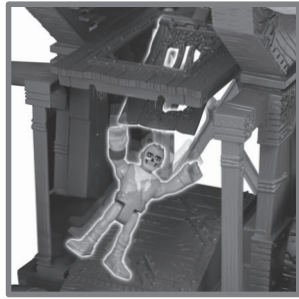
4

- The ladder is designed to break away from the body. To reassemble, follow the instructions below.
- At an angle, fit a peg on the ladder into a slot in the back of the body. Push to “**snap**” the other side of the ladder in place.

Walk, Stomp, Stand and Roar!

WARNING

Do not aim at eyes or face. Only use projectiles supplied with this toy. Do not fire at point blank range.



Release the trap door to send figures to the jail!




Easily store the glider on the cannon platform.

Turn the Power Pad to the left to launch arrows from his mouth. When T-Rex is standing up, turn the Power Pad to the right to hear him roar! When he's crouched, watch his mouth open and close.

Push T-Rex's back to lower him into a crouching position.

Turn this Power Pad and watch T-Rex stand up along with sounds and lights.

 Slide the power switch to ON ● or OFF ○.

Turn this Power Pad for walking motion, sounds and lights.

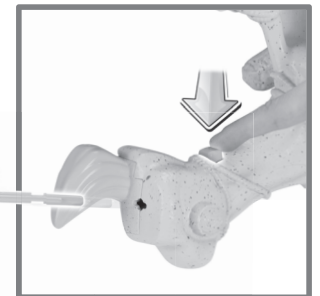
Push T-Rex to hear more fun sound effects!



Load a boulder into each cannon. Press the trigger to launch with sounds and lights!



You can also load boulders into T-Rex's spine. Push the lever to launch them!



Press the button to shoot claws!

Battery Safety Information


In exceptional circumstances, batteries may leak fluids that can cause a chemical burn injury or ruin your product. To avoid battery leakage:

- Do not mix old and new batteries or batteries of different types: alkaline, standard (carbon-zinc) or rechargeable (nickel-cadmium).
- Insert batteries as indicated inside the battery compartment.
- Remove batteries during long periods of non-use. Always remove exhausted batteries from the product. Dispose of batteries safely. Do not dispose of this product in a fire. The batteries inside may explode or leak.
- Never short-circuit the battery terminals.
- Use only batteries of the same or equivalent type, as recommended.
- Do not charge non-rechargeable batteries.
- Remove rechargeable batteries from the product before charging.
- If removable, rechargeable batteries are used, they are only to be charged under adult supervision.

CAN ICES-3 (B)/NMB-3 (B)

Operation is subject to the following two conditions: (1) this device may not cause interference, and (2) this device must accept any interference, including interference that may cause undesired operation of the device.

L'utilisation de ce dispositif est autorisée seulement aux conditions suivantes : (1) il ne doit pas produire de brouillage et (2) il doit pouvoir tolérer tout brouillage radioélectrique reçu, même si ce brouillage est susceptible de compromettre son fonctionnement.



CONSUMER ASSISTANCE

1-800-432-5437 (US & Canada)
1300 135 312 (Australia)

service.fisher-price.com

Fisher-Price, Inc., 636 Girard Avenue, East Aurora, NY 14052.
Hearing-impaired consumers: 1-800-382-7470.

Outside the United States:

Canada: Mattel Canada Inc., 6155 Freemont Blvd., Mississauga, Ontario L5R 3W2; www.service.mattel.com.

Great Britain: Mattel UK Ltd, Vanwall Business Park, Maidenhead SL6 4UB. Helpline: 01628 500303. www.service.mattel.com/uk

Mattel Europa B.V., Gondel 1, 1186 MJ Amstelveen, Nederland.

Australia: Mattel Australia Pty. Ltd., 658 Church Street, Locked Bag #870, Richmond, Victoria 3121 Australia.

New Zealand: 16-18 William Pickering Drive, Albany 1331, Auckland.

FCC STATEMENT (UNITED STATES ONLY)

This equipment has been tested and found to comply with the limits for a Class B digital device, pursuant to Part 15 of the FCC rules. These limits are designed to provide reasonable protection against harmful interference in a residential installation. This equipment generates uses and can radiate radio frequency energy and, if not installed and used in accordance with the instructions, may cause harmful interference to radio communications. However, there is no guarantee that interference will not occur in a particular installation. If this equipment does cause harmful interference to radio or television reception, which can be determined by turning the equipment off and on, the user is encouraged to try to correct the interference by one or more of the following measures:

- Reorient or relocate the receiving antenna.
- Increase the separation between the equipment and receiver.
- Consult the dealer or an experienced radio/TV technician for help.

NOTE: Changes or modifications not expressly approved by the manufacturer responsible for compliance could void the user's authority to operate the equipment.

This device complies with Part 15 of the FCC Rules. Operation is subject to the following two conditions: (1) This device may not cause harmful interference, and (2) this device must accept any interference received, including interference that may cause undesired operation.