

Fisher-Price®

G4826
Instructions

Motion & Music Barnyard Gym™

Please keep this instruction sheet for future reference, as it contains important information.

Requires four "AA" (LR6) **alkaline** batteries (not included).

Adult assembly is required.

Tool required for battery installation:
Phillips screwdriver (not included).



1 Overhead Play



2 Tummy-Time Play



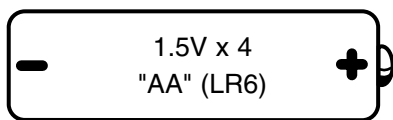
Link-a-dooos

www.fisher-price.com

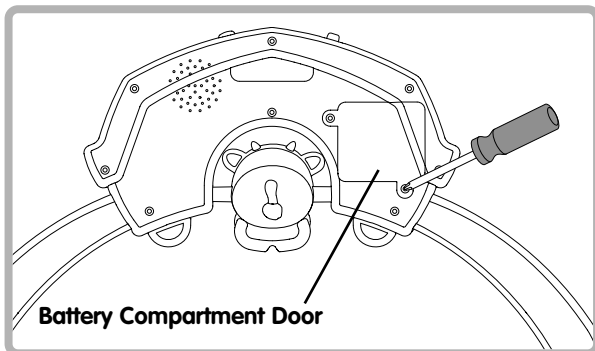
WARNING

To prevent entanglement injury, NEVER place gym or suspend links in a crib or playpen.
NEVER add strings, ties or other products to gym.

Battery Installation



Shown Actual Size



- Locate the battery compartment on the back of the arch.
- Loosen the screws in the battery compartment door with a Phillips screwdriver. Remove the battery compartment door.
- Insert four "AA" (LR6) **alkaline** batteries.

Hint: We recommend using **alkaline** batteries for longer life.

- Replace the battery compartment door and tighten the screws with a Phillips screwdriver. Do not over-tighten.
- When lights, sounds or motions from this toy become faint or stop, it's time for an adult to change the batteries!

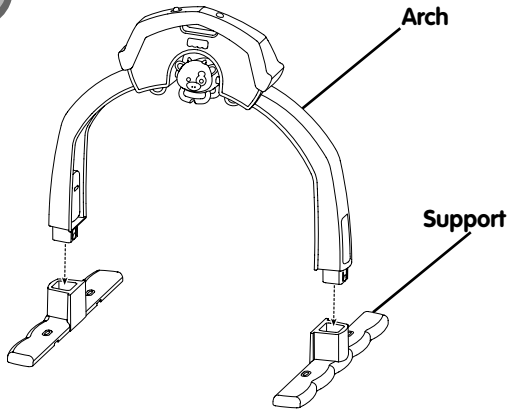
Battery Safety Information

Batteries may leak fluids that can cause a chemical burn injury or ruin your toy. To avoid battery leakage:

- Do not mix old and new batteries or batteries of different types: alkaline, standard (carbon-zinc) or rechargeable (nickel-cadmium).
- Insert batteries as indicated inside the battery compartment.
- Remove batteries during long periods of non-use. Always remove exhausted batteries from the toy. Dispose of batteries safely. Do not dispose of batteries in a fire. The batteries may explode or leak.
- Never short-circuit the battery terminals.
- Use only batteries of the same or equivalent type, as recommended.
- Do not charge non-rechargeable batteries.
- Remove rechargeable batteries from the toy before charging.
- If removable, rechargeable batteries are used, they are only to be charged under adult supervision.

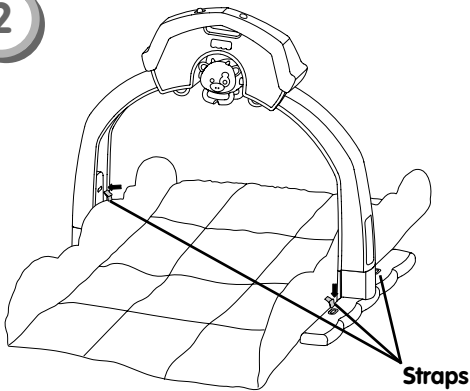
Assembly

1



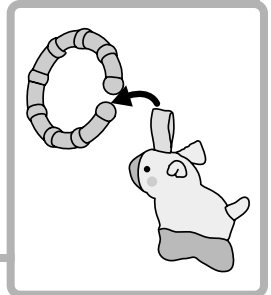
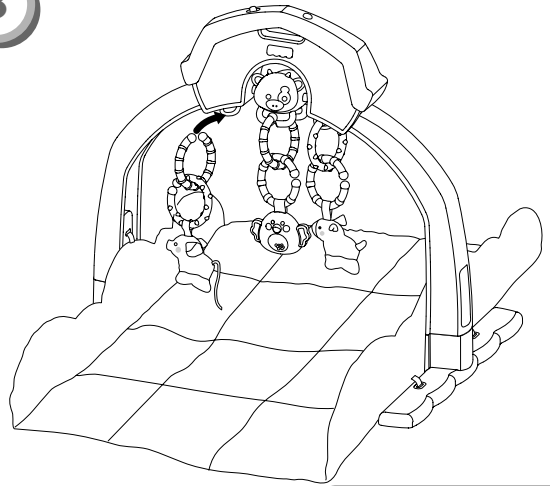
“Snap” the arch into the two supports, as shown.

2



- Place the quilt with the print side up under the arch.
- Fit the three straps on each side of the quilt through the slots in each support. Make sure the tab at the end of each strap forms a “T” under the support.
- Pull up on the quilt to be sure it is secure to the support.

3



- To attach a link to an animal toy, gently pull open the link and slide the loop on the animal toy onto the link.
- To attach the links to the gym, gently pull open a link and clip it onto one of the attachment tabs under the barn.

Consumer Information

Questions? We'd like to hear from you!

Call Fisher-Price® Consumer Relations, toll-free at **1-800-432-5437 (KIDS)**, 8 AM - 6 PM EST Monday through Friday. Hearing-impaired consumers using TTY/TDD equipment, please call 1-800-382-7470. Or, write to: Fisher-Price® Consumer Relations, 636 Girard Avenue, East Aurora, New York 14052.

FCC Note (United States Only)

Note: This equipment has been tested and found to comply with the limits for a Class B digital device, pursuant to Part 15 of the FCC Rules. These limits are designed to provide reasonable protection against harmful interference in a residential installation. This equipment generates, uses and can radiate radio frequency energy and, if not installed and used in accordance with the instructions, may cause harmful interference to radio communications. However, there is no guarantee that interference will not occur in a particular installation. If this equipment does cause harmful interference to radio or television reception, which can be determined by turning the equipment off and on, the user is encouraged to try to correct the interference by one or more of the following measures:

- Reorient or relocate the receiving antenna.
- Increase the separation between the equipment and receiver.
- Consult the dealer or an experienced radio/TV technician for help.

Note: Changes or modifications not expressly approved by the manufacturer responsible for compliance could void the user's authority to operate the equipment.

For countries outside the United States:

CANADA Questions? **1-800-567-7724**. Mattel Canada Inc., 6155 Freemont Blvd., Mississauga, Ontario L5R 3W2.

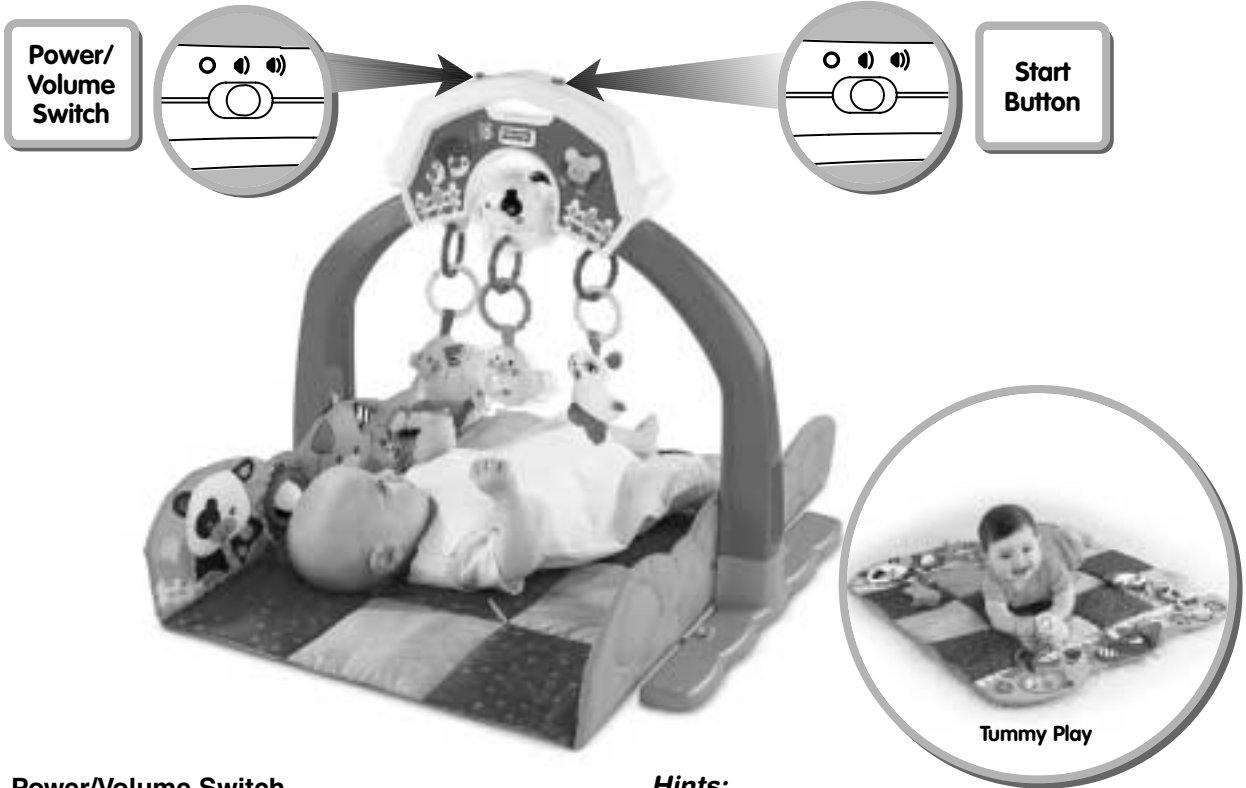
GREAT BRITAIN [Mattel UK Ltd, Vanwall Business Park, Maidenhead SL6 4UB. Helpline: 01628 500302.](#)

AUSTRALIA Mattel Australia Pty. Ltd., 658 Church Street, Locked Bag #870, Richmond, Victoria 3121 Australia. Consumer Advisory Service 1300 135 312.





NEW ZEALAND 16-18 William Pickering Drive, Albany 1331, Auckland.

ASIA Mattel East Asia Ltd, Room 1106, South Tower, World Finance Centre, Harbour City, Tsimshatsui, HK, China.

Fun Music and Motion



Power/Volume Switch

- Locate the power/volume switch on top of the arch.
- The switch has three positions: off ; on with low volume  and on with high volume . Slide the power/volume switch to the off position  when not in use.

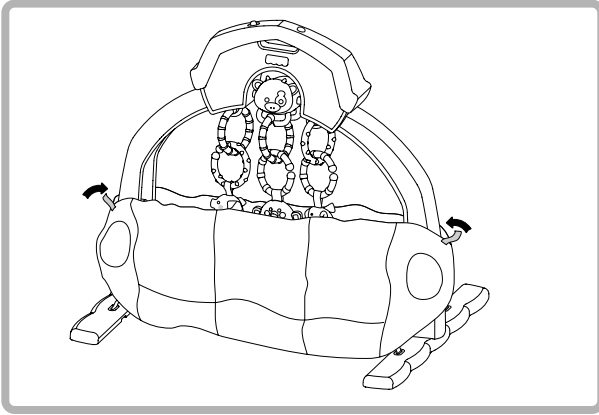
Start Button

- Locate the start button on the gym arch. Press the start button for extended music, motion and fun animal sounds.
- Music will play continuously for about 10 minutes while motions will go on and off.
- To restart, press the start button again.
- Baby can also bat the animal toys for short playing music, motion and sound effects.

Hints:

- *Rearrange the animal toys in different locations to keep baby amused!*
- *For a young baby we recommend assembling the links and animal toys as shown in the photo above. This arrangement will allow baby to reach the animal toys while lying underneath the gym.*
- *As baby grows, you can remove some of the links from the gym to keep the animal toys within baby's reach.*
- *As your child grows, remove the overhead arch and attach the links and animal toys to the soft quilt for tummy play.*
- *If your child is not actively playing with this toy, it turns off automatically (sleep mode).*

Storage



Bring the corners of the quilt together and attach the fasteners, as shown.

Care

Soft Animals

- Remove any links from the soft animals.
- Place the soft animals in a pillowcase and wash them in cold water on a gentle cycle. Do not use bleach. Tumble dry the toys on low heat.

Quilt

- Remove the quilt from the supports.
- Wash the quilt in cold water on a gentle cycle. Do not use bleach. Tumble dry the quilt on low heat.

Gym Arch and Supports

- Wipe the surface with a clean cloth dampened with a mild soap and water solution.
- Do not immerse the gym arch.