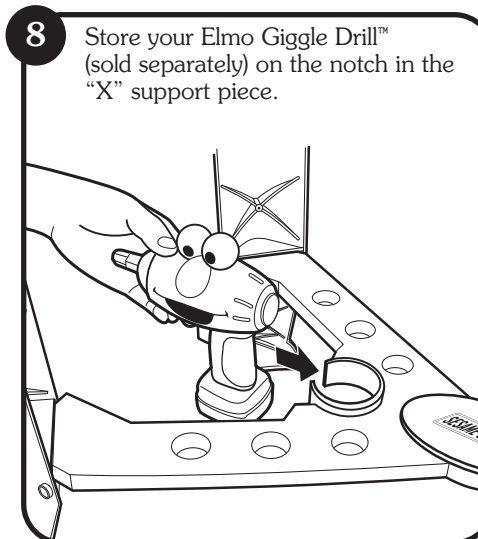
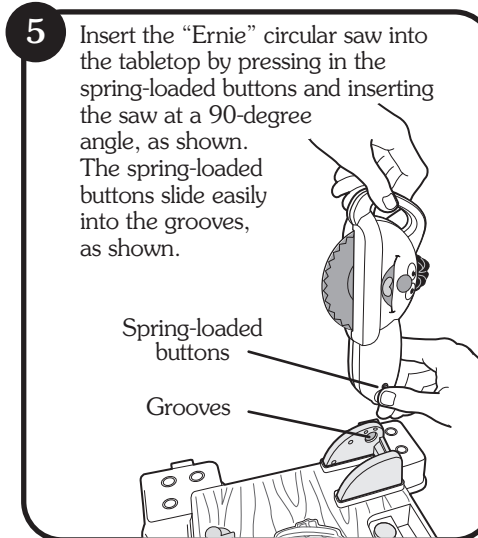
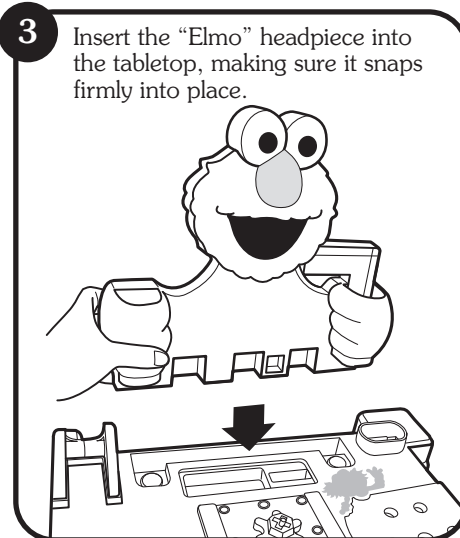
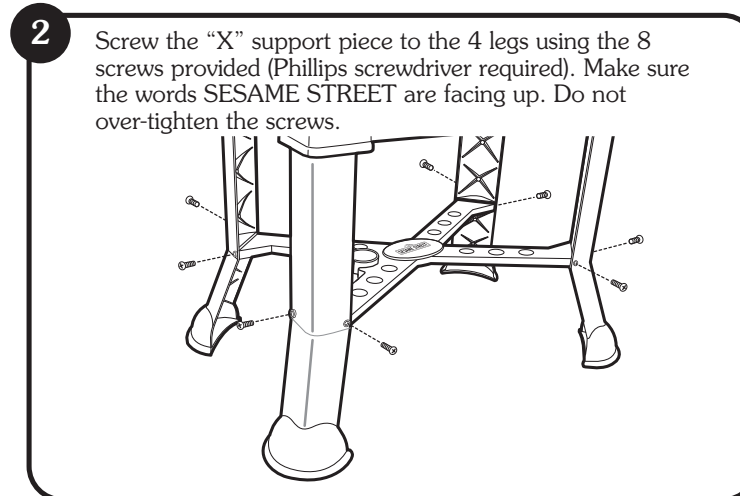
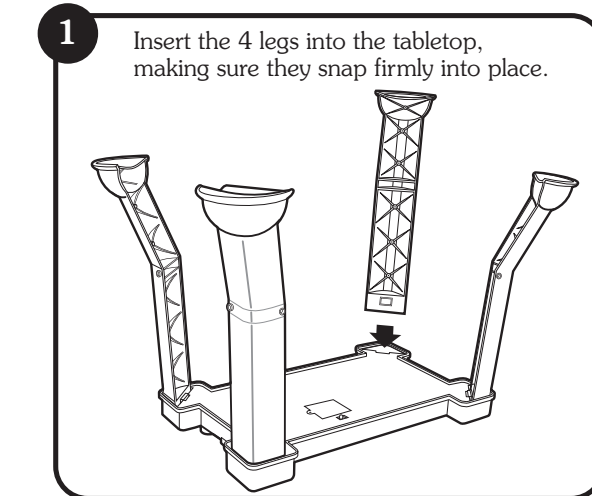


HOW TO ASSEMBLE

NOTE:

- Each of the following steps are one-time assembly – once the pieces are assembled they cannot be taken apart again.

IMPORTANT: For your child's safety, make sure all pieces snap firmly into place.



NOW YOU'RE READY TO PLAY!

Sesame Workshop ©, Sesame Street © and associated characters, trademarks and design elements are owned and licensed by Sesame Workshop.
© 2006 Sesame Workshop. All Rights Reserved.
Fisher-Price, Inc., a subsidiary of Mattel, Inc., East Aurora, NY 14052 U.S.A.
PRINTED IN CHINA.
Manufactured for Fisher-Price. © 2006 Mattel, Inc. All Rights Reserved.
Fisher-Price and the Fisher-Price logo are U.S. trademarks of Mattel, Inc.
Packaging and address should be retained for future reference.
Mattel Canada Inc., Mississauga, Ontario L5R 3W2.
You may call us free at 1-800-432-5437.

Mattel U.K. Ltd., Vanwall Business Park, Maidenhead SL6 4UB. Helpline 01628500303.
Mattel Australia Pty., Ltd., Richmond, Victoria. 3121.
Consumer Advisory Service - 1300 135 312.
Mattel East Asia Ltd., Room 1106, South Tower, World Finance Centre, Harbour City, Tsimshatsui, HK, China.
Dinipont & Diederik Olieh, Mattel SEA Ptd Ltd.(993532-P)
Lot 13-5, 13th Floor, Menara Lien Hee,
Persiaran Tropicana Golf Country Resort, 47410 PJ. Tel:03-78803817, Fax:03-78803867.
Mattel, Inc., 333 Continental Blvd., El Segundo, CA 90245 U.S.A.
Consumer Affairs 1 (800) 524-Toys.

Questions?
service.fisher-price.com
In US and Canada
1-800-432-5437

H9203 **Fisher-Price**

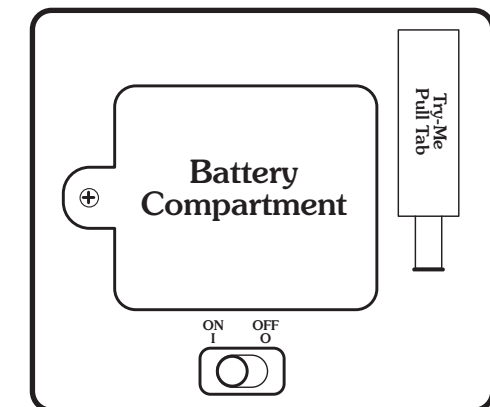
123
SESAME STREET

Sing 'n Giggle™ Tool Bench

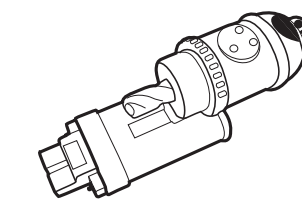
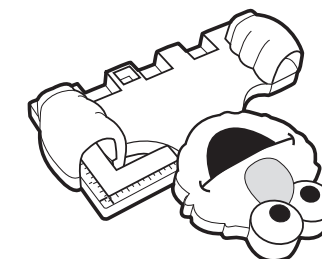
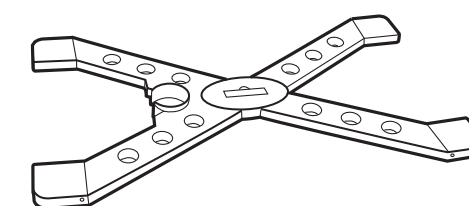
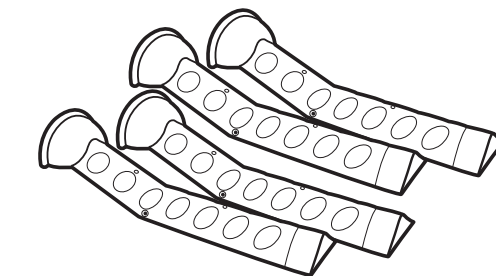
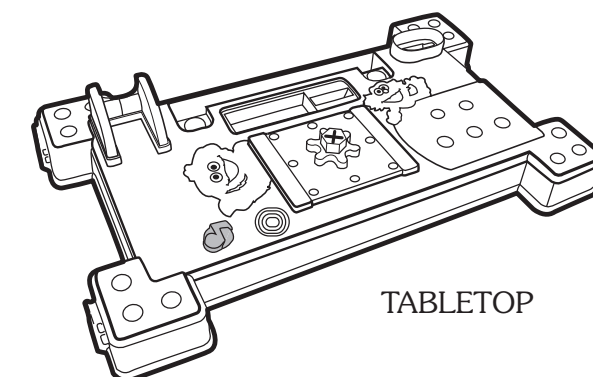
Please keep these instructions for future reference as they contain important information.

BEFORE YOU BEGIN

- Remove and discard the "Try Me" pull-tab from the bottom of the tabletop for normal play function. Once the pull-tab is removed, the toy will perform its full play pattern.
- Be sure the ON/OFF switch is in the ON position. The ON/OFF switch is located on the bottom of the tabletop



ASSEMBLY PIECES



NOTE: Phillips screwdriver (not included) required for assembly.

This product contains magnet. Do not use around items that are sensitive to or affected by magnetic fields.

Item : H9203
Version : English
Size : 210 X 297 mm
Paper : Woodfree Paper
Color : Black