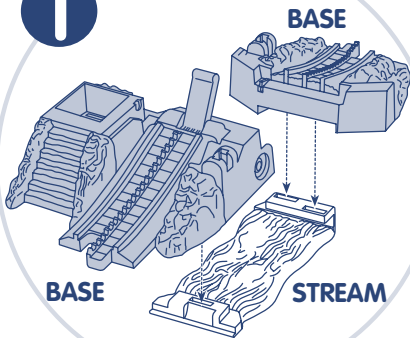


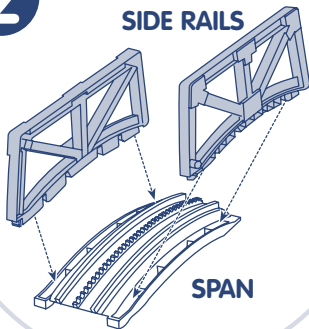
Assembly

1



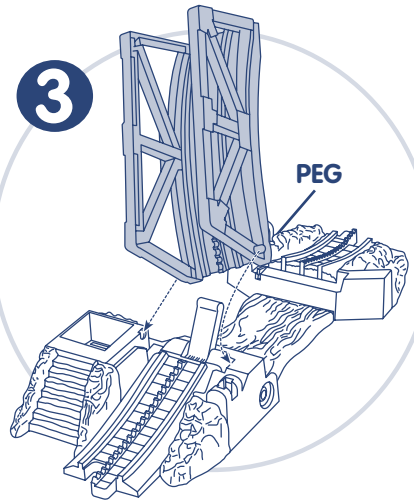
"Snap" the bases onto the stream, as shown.

2



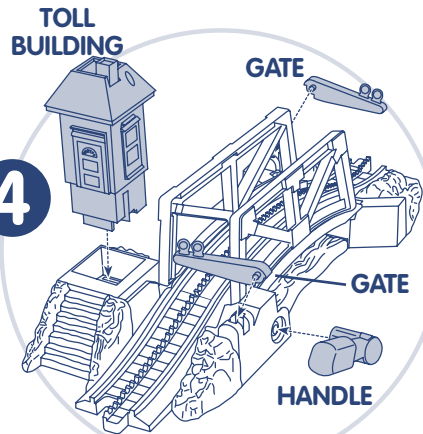
"Snap" the two side rails into the span, as shown.

3



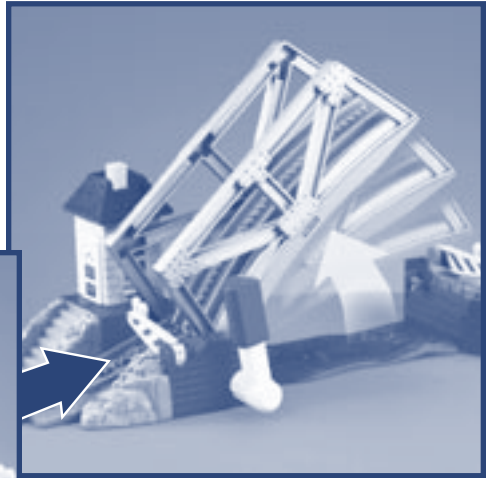
Fit the peg on one side of the bridge into the hole in the base. Squeeze the bridge gently and fit the peg on the opposite side of the bridge into the other hole in the base.

4



"Snap" the toll building into the base. "Snap" the handle into the large hole on the side of the base. "Snap" the gates into the grooves on each base, as shown.

Time to Raise the Drawbridge!



Turn the handle to raise the drawbridge.
As the bridge goes up, a bell rings and the
gates come down!



Fisher-Price®

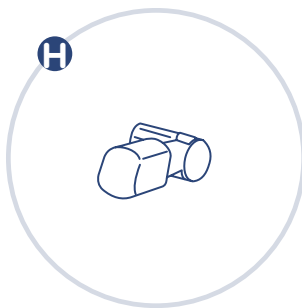
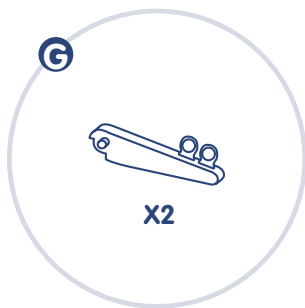
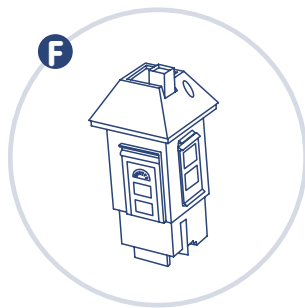
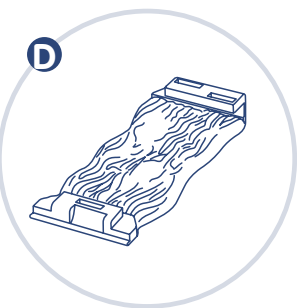
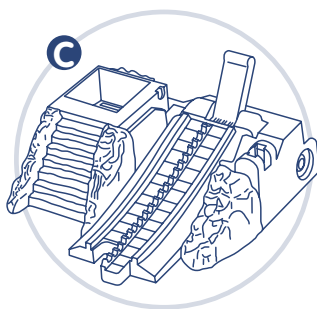
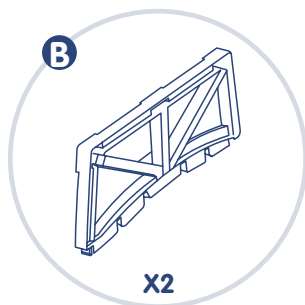
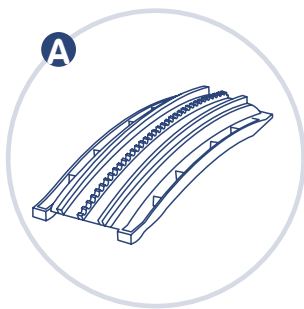
www.fisher-price.com



GeoTrax
Rail & Road System™

Parts

- A. Span
- B. 2 Side Rails
- C. Base with Steps
- D. Stream
- E. Base
- F. Toll Building
- G. 2 Gates
- H. Handle



Please keep this instruction sheet for future reference, as it contains important information.

Adult assembly is required.

No tools needed for assembly.

Wipe this toy with a clean, damp cloth.

The more you collect, the more fun it gets!



Multiple track packs used to create this configuration. Each sold separately
& subject to availability.

Visit us on line at www.service.fisher-price.com.

Call Fisher-Price[®] Consumer Relations, toll-free at 1-800-432-5437, 8 AM - 6 PM EST
Monday through Friday. Hearing-impaired consumers using TTY/TDD equipment, please
call 1-800-382-7470.

Write to us at: Fisher-Price[®] Consumer Relations,
636 Girard Avenue, East Aurora, New York 14052.

For countries outside the United States:

CANADA: Questions? 1-800-432-5437. Mattel Canada Inc., 6155 Freemont Blvd., Mississauga, Ontario L5R 3W2;
www.service.mattel.com.

GREAT BRITAIN: Mattel UK Ltd, Vanwall Business Park, Maidenhead SL6 4UB. Helpline: 01628 500303.
www.service.mattel.com/uk

AUSTRALIA: Mattel Australia Pty. Ltd., 658 Church Street, Locked Bag #870, Richmond, Victoria 3121 Australia.
Consumer Advisory Service 1300 135 312.

NEW ZEALAND: 16-18 William Pickering Drive, Albany 1331, Auckland.

ASIA: Mattel East Asia Ltd, Room 1106, South Tower, World Finance Centre, Harbour City, Tsimshatsui, HK, China.

Fisher-Price®

GeoTrax™
Rail & Road System

**Visit www.fisher-price.com
to see the entire world of
GeoTrax™ accessories!**