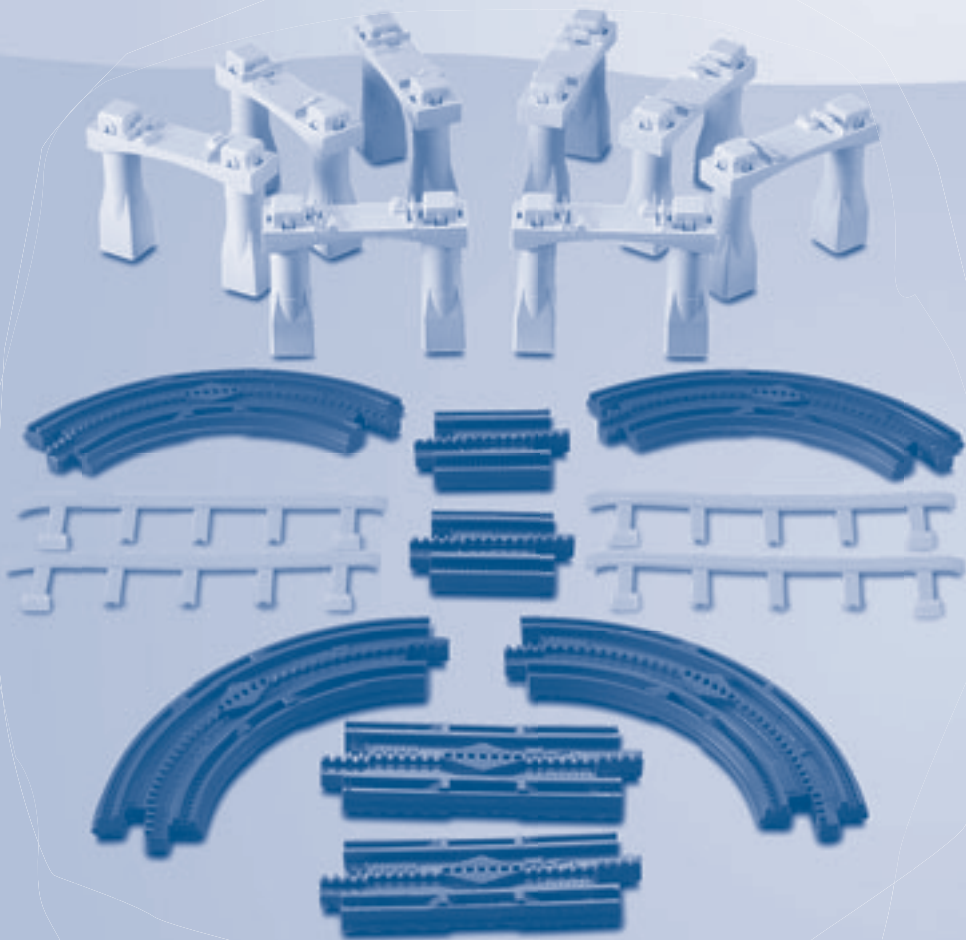




L9181

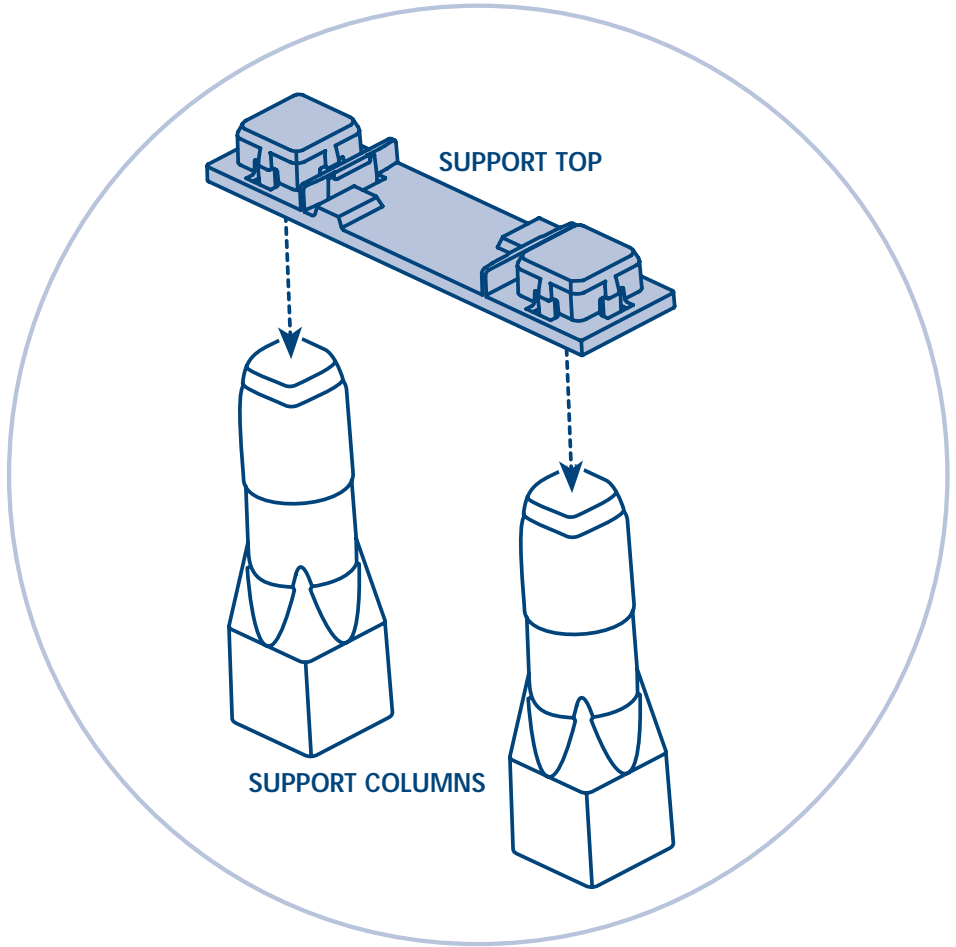
www.fisher-price.com



GeoTrax™

Rail & Road System

Assembly



"Snap" a support top onto two support columns.

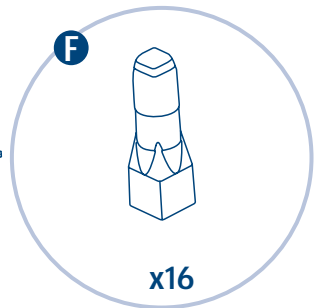
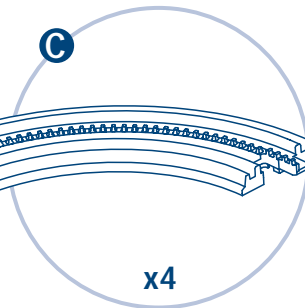
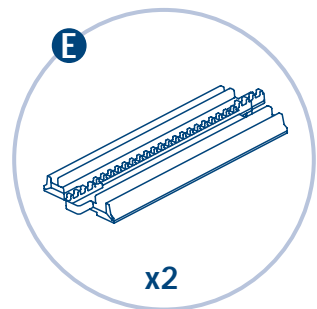
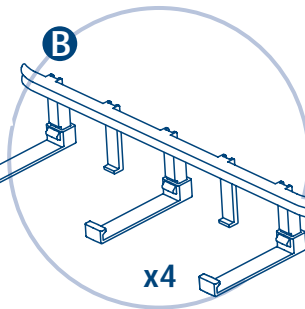
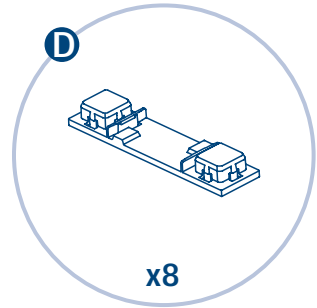
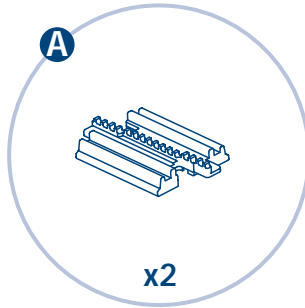
Parts

- A. 2 Short Tracks
- B. 4 Guardrails
- C. 4 Curved Tracks
- D. 8 Support Tops
- E. 2 Straight Tracks
- F. 16 Support Columns

Please keep this instruction sheet for future reference, as it contains important information.

Adult assembly is required.

No tools required for assembly.



Fisher-Price®



For layout ideas visit the
GeoTrax® section of
www.fisher-price.com



CONSUMER ASSISTANCE

Call toll free: 1-800-432-5437 (US & Canada only)
M-F 9AM to 7PM / SAT 11AM to 5PM (EST)

service.fisher-price.com

Write to us at: Fisher-Price® Consumer Relations,
636 Girard Avenue, East Aurora, New York 14052.

Hearing-impaired consumers using TTY/TDD equipment,
please call 1-800-382-7470.

For countries outside the United States:

Canada: Mattel Canada Inc., 6155 Freemont Blvd.,
Mississauga, Ontario L5R 3W2; www.service.mattel.com.

Great Britain: Mattel UK Ltd, Vanwall Business Park,
Maidenhead SL6 4UB. Helpline: 01628 500303.
www.service.mattel.com/uk

Australia: Mattel Australia Pty. Ltd., 658 Church Street,
Locked Bag #870, Richmond, Victoria 3121 Australia.
Consumer Advisory Service 1300 135 312.

New Zealand: 16-18 William Pickering Drive,
Albany 1331, Auckland.

Asia: Mattel East Asia Ltd, Room 1106, South Tower,
World Finance Centre, Harbour City, Tsimshatsui, HK, China.