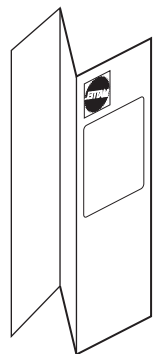
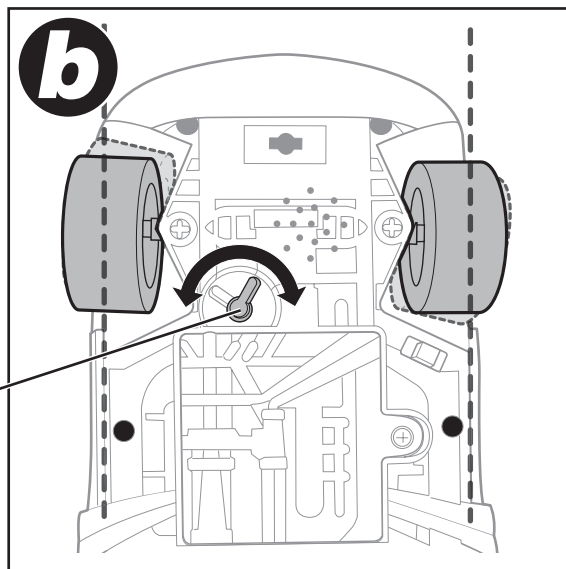
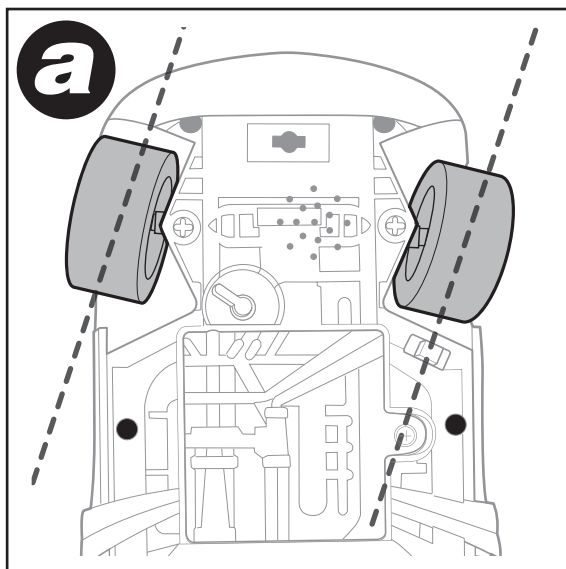


INSTRUCTION SHEET SPECIFICATIONS
 Toy: CARS - WALKING MCQUEEN
 Toy No.: M6466
 Part No.: 0920
 Trim Size: 16.83" X 8.26"
 Folded Size: A5
 Type of Fold: One
 # colors: Black
 Paper Stock: White Offset
 Paper Weight: 70 lb.
 EDM No.:



Steering Adjustments

If car does not travel straight, make adjustment to steering adjuster switch as shown.



Steering adjuster

BATTERY SAFETY INFORMATION

In exceptional circumstances batteries may leak fluids that can cause a chemical burn injury or ruin your product. To avoid battery leakage:

- Non-rechargeable batteries are not to be recharged.
- Rechargeable batteries are to be removed from the product before being charged (if designed to be removable).
- Rechargeable batteries are only to be charged under adult supervision (if designed to be removable).
- Do not mix alkaline, standard (carbon-zinc), or rechargeable (nickel-cadmium) batteries.
- Do not mix old and new batteries.
- Only batteries of the same or equivalent type as recommended are to be used.
- Batteries are to be inserted with the correct polarity.
- Exhausted batteries are to be removed from the product.
- The supply terminals are not to be short-circuited.
- Dispose of battery(ies) safely.
- Do not dispose of this product in a fire. The batteries inside may explode or leak.



Protect the environment by not disposing of this product with household waste (2002/96/EC). Check your local authority for recycling advice and facilities.

For product sold in USA

This device complies with Part 15 of the FCC Rules.

Operation is subject to the following two conditions:
 (1) This device may not cause harmful interference, and (2) this device must accept any interference received, including interference that may cause undesired operation.

This equipment has been tested and found to comply with the limits for a Class B digital device, pursuant to part 15 of the FCC rules. These limits are designed to provide reasonable protection against harmful interference in a residential installation. This equipment generates, uses and can radiate radio frequency energy and, if not installed and used in accordance with the instructions, may cause harmful interference to radio communications. However, there is no guarantee that interference will not occur in a particular installation. If this equipment does cause harmful interference to radio or television reception, which can be determined by turning the equipment off and on, the user is encouraged to try to correct the interference by one or more of the following measures:

- Reorient or relocate the receiving antenna.
- Increase the separation between the equipment and receiver.
- Connect the equipment into an outlet on a circuit different from that to which the receiver is connected.
- Consult the dealer or an experienced radio/TV technician for help.

NOTE: Changes or modifications not expressly approved by the manufacturer responsible for compliance could void the user's authority to operate the equipment.

Mattel, Inc., All Rights Reserved. Mattel, Inc., 333 Continental Blvd., El Segundo, CA 90245 U.S.A. Consumer Relations 1 (800) 524-8697. Retain this address for future reference. **Mattel U.K. Ltd., Vanwall Business Park, Maidenhead SL6 4UB, Helpline 01628 500303. Mattel Australia Pty., Ltd., Richmond, Victoria, 3121. Consumer Advisory Service - 1300 135 312. Mattel East Asia Ltd., Room 1106, South Tower, World Finance Centre, Harbour City, Tsimshatsui, HK, China. Diimport & Diedarkan Oleh: Mattel SEA Ptd Ltd, (993532-P) Lot 13.5, 13th Floor, Menara Lien Hoe, Persiaran Tropicana Golf Country Resort, 47410 PJ. Tel: 03-78803817, Fax: 03-78803867.**

service.mattel.com



Instructions



M6466-0920

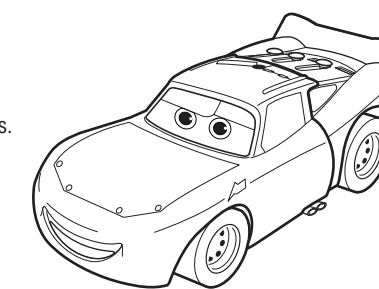
4+

Please keep these instructions for future reference as they contain important information.

Contents

AA x4
Included

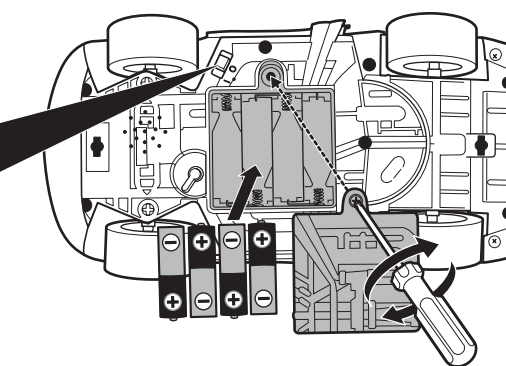
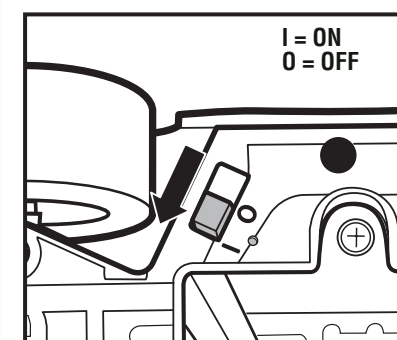
Requires 4 "AA" (LR6) alkaline batteries.
 Batteries included are for demonstration purposes.



© Disney/Pixar

Battery Installation

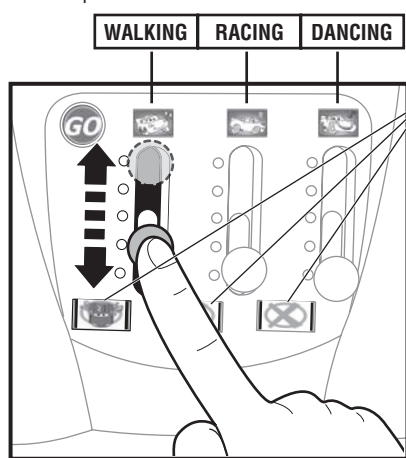
Move switch to OFF position before replacing batteries.
 Unscrew the battery cover with a Phillips head screwdriver (not included).
 Remove batteries included for demonstration purposes and dispose of them safely.
 Install 4 "AA" (LR6) alkaline batteries in the orientation (+/-) shown.
 For best performance, use only alkaline batteries.
 Replace battery cover and tighten screw.
 Replace batteries if sounds play slowly or lights dim or if vehicle moves slowly.



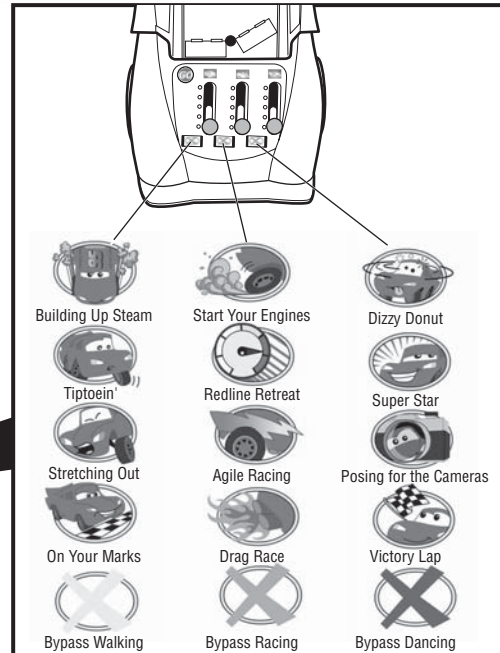
To Play

Try different settings.
 There are 120+ different sequential combinations!

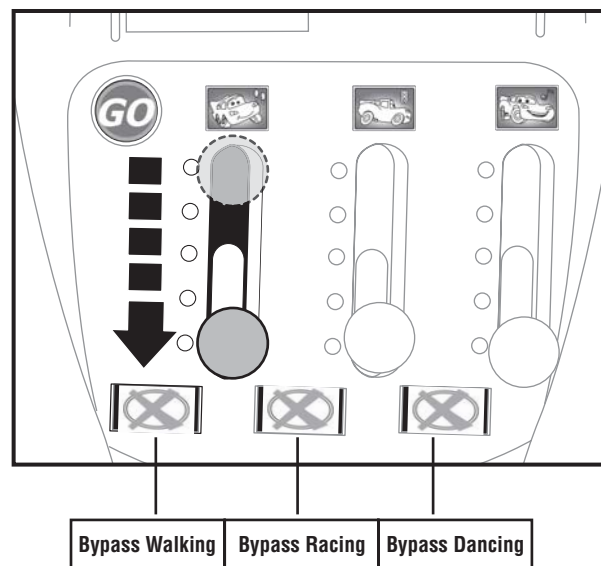
1. Select an "action" from each category (WALKING, RACING, or DANCING) by sliding the switch up or down.



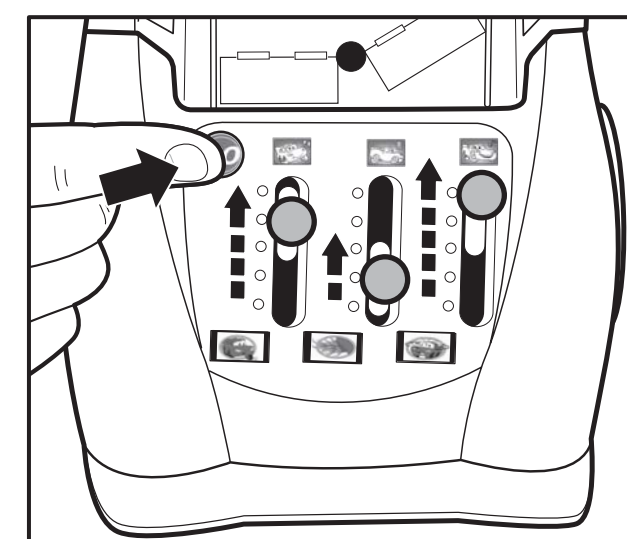
The icon selected in each row will appear in these windows. See the inset for the description of each icon.



2. If the switch is all the way DOWN, then there will be NO action from that corresponding category.

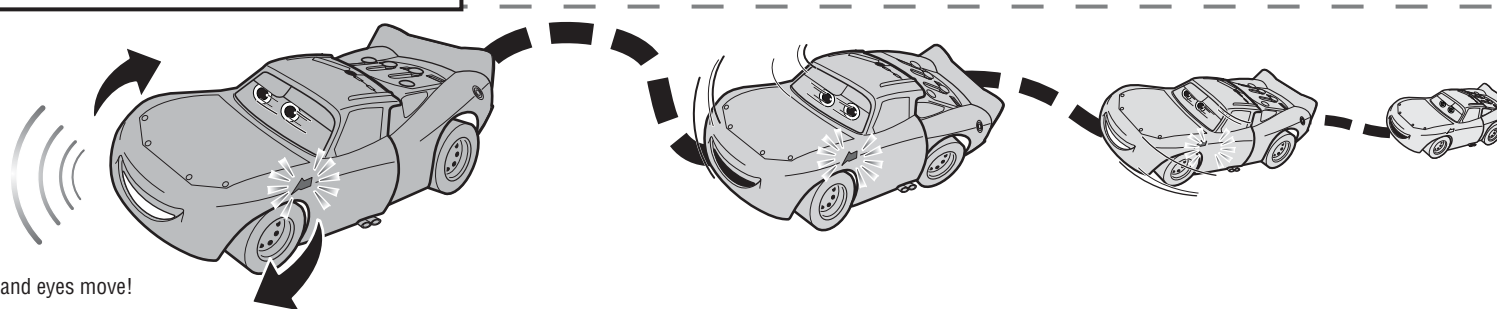


3. Press the 'GO' button to see Lightning McQueen go into a sequence of Tiptoein', Drag Race, and Dizzy Donut.



4. Tiptoein' Action!

Travel distance and direction may vary due to condition of play surface and total number of programmed commands.



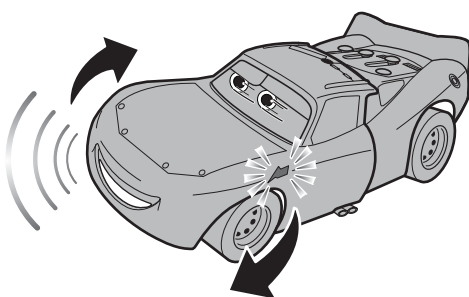
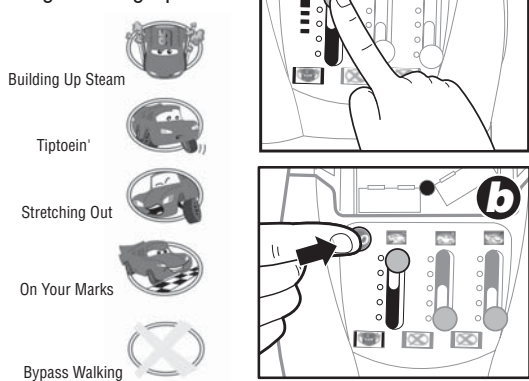
Lightning McQueen's mouth and eyes move!

CAUTION: TO PREVENT ENTANGLEMENT, KEEP HAIR AWAY FROM WHEELS.

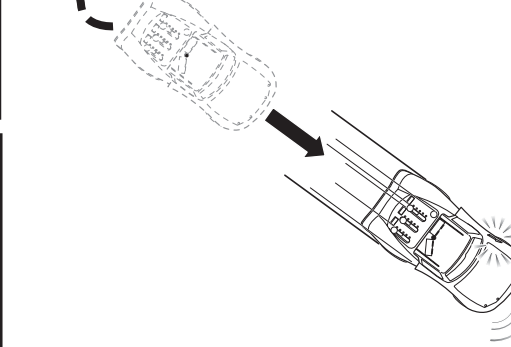
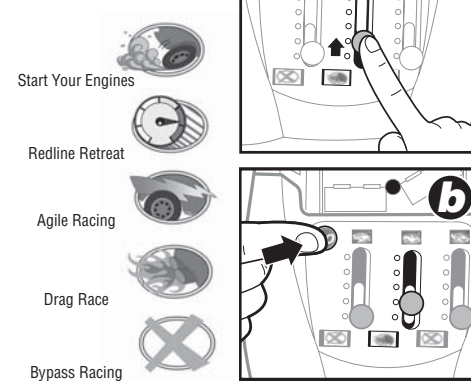
Do not immerse product in water.
 Play Safely! - Do not drive vehicle in the street!
 This product is not recommended for use on loose dirt or wet surfaces.

Some "ACTION" examples:

Walking! Building Up Steam!



Racing! Drag Race!



Dancing! Victory Lap!

