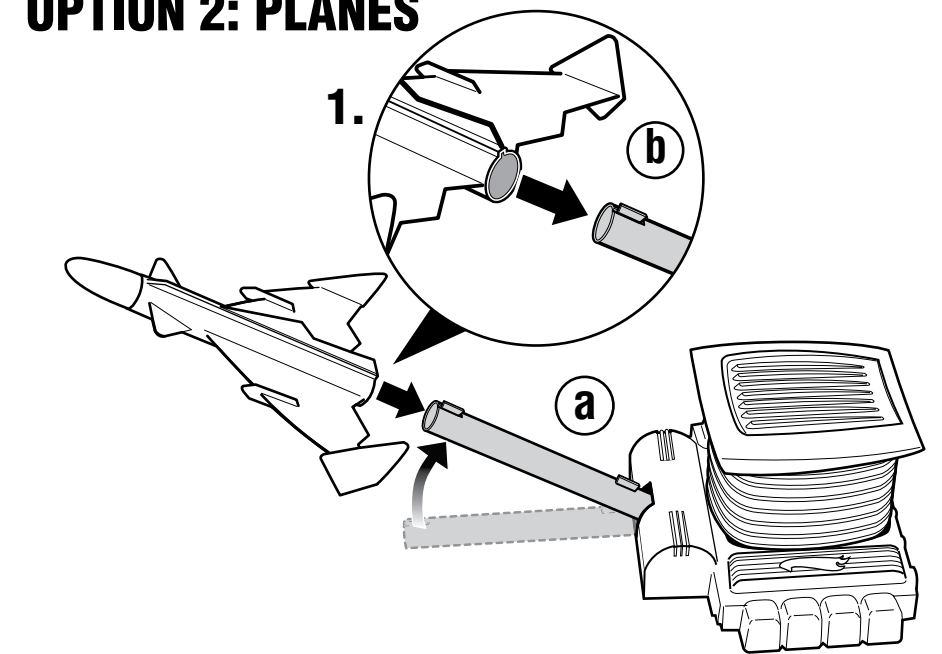
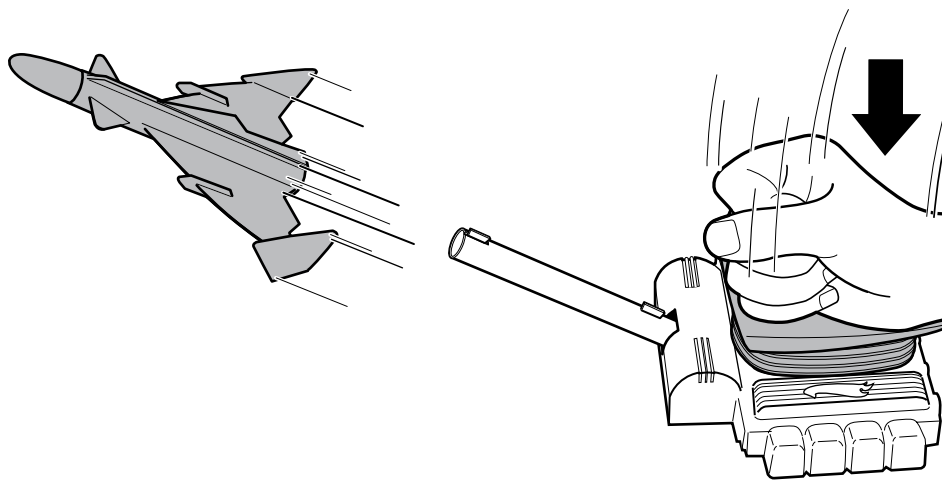


### OPTION 2: PLANES



2. Pound slam pad to launch.



Do not aim at eyes or face. Only use vehicles supplied with this toy. Do not fire at point-blank range.

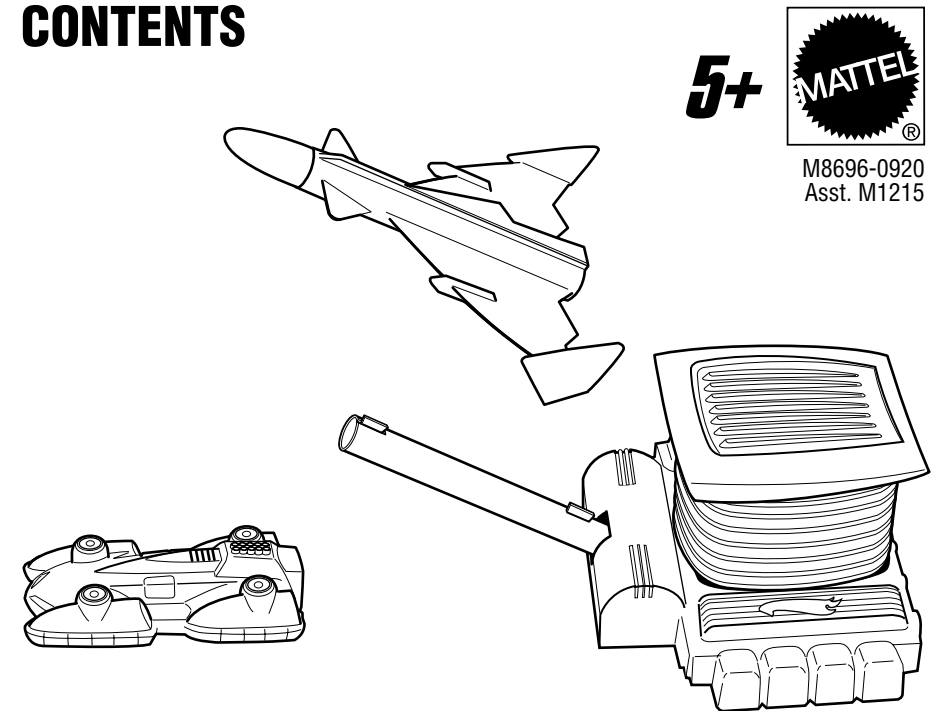


### INSTRUCTIONS

## LAUNCH-PACK

Please keep these instructions for future reference as they contain important information.

### CONTENTS

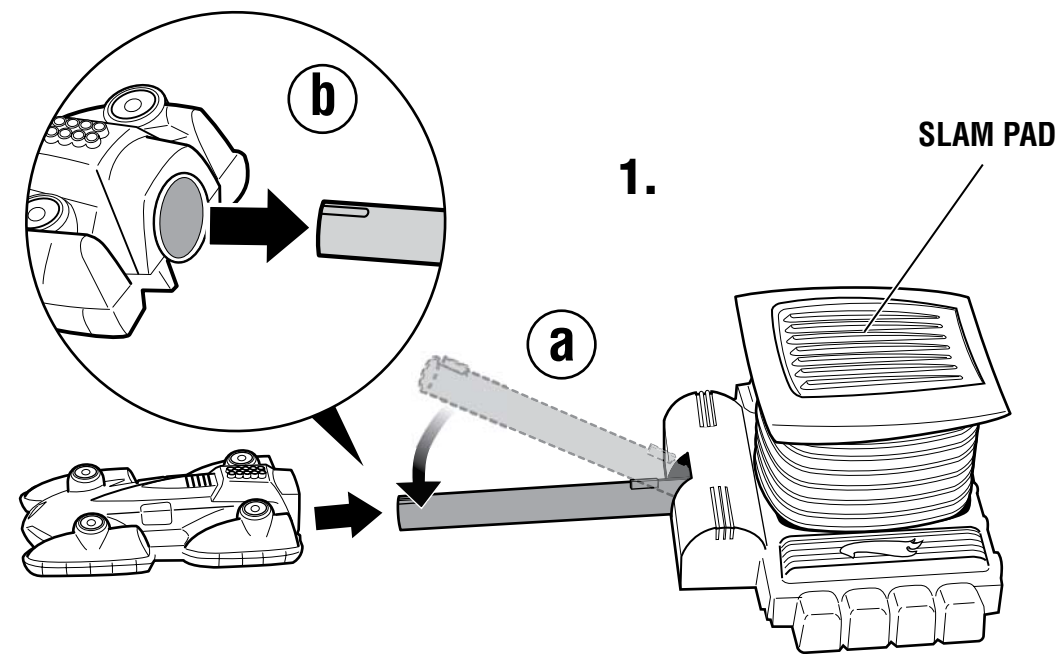


© 2008 Mattel, Inc. All Rights Reserved.

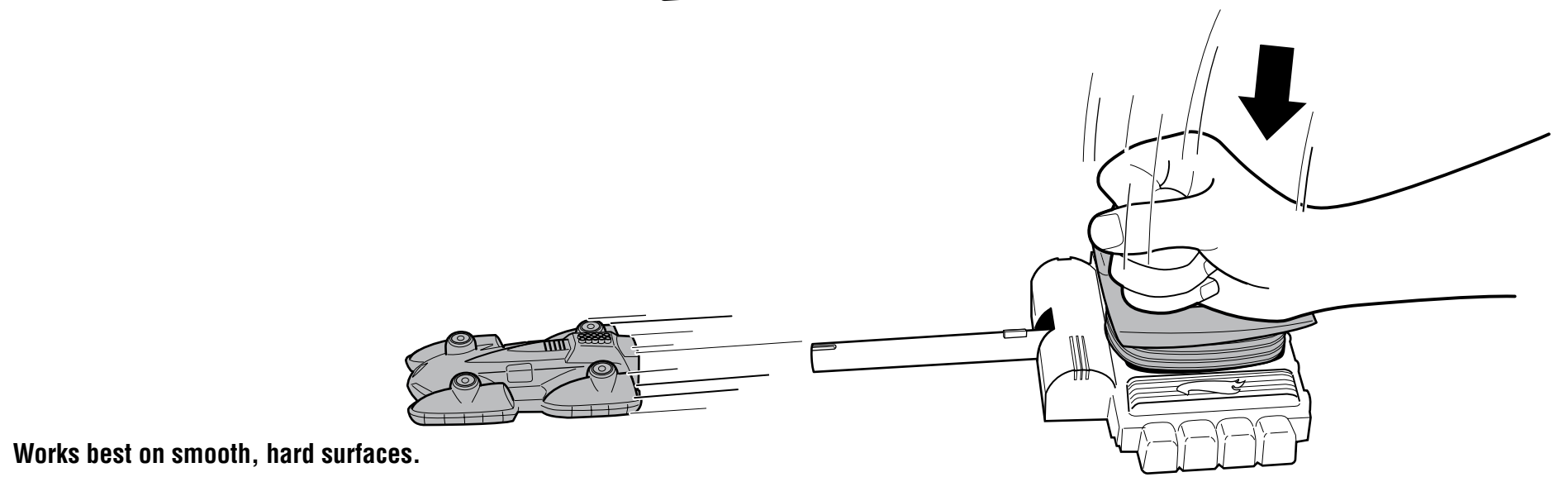
Mattel, Inc., 333 Continental Blvd., El Segundo, CA 90245 U.S.A. Consumer Relations 1 (800) 524-8697 service.mattel.com. • Mattel Canada Inc., Mississauga, Ontario L5R 3W2. You may call us free at 1-800-524-8697. • Mattel U.K. Ltd., Vanwall Business Park, Maidenhead SL6 4UB. Helpline 01628500303 • Mattel Australia Pty., Ltd., Richmond, Victoria. 3121. Consumer Advisory Service - 1300 135 312. • Mattel East Asia Ltd., Room 1106, South Tower, World Finance Centre, Harbour City, Tsimshatsui, HK, China. • Diimport & Diedarkan Oleh: Mattel SEA Ptd Ltd.(993532-P) Lot 13.5, 13th Floor, Menara Lien Hoe, Persiaran Tropicana Golf Country Resort, 47410 P.J. Tel:03-78803817, Fax:03-78803867.

### TO PLAY

### OPTION 1: CARS



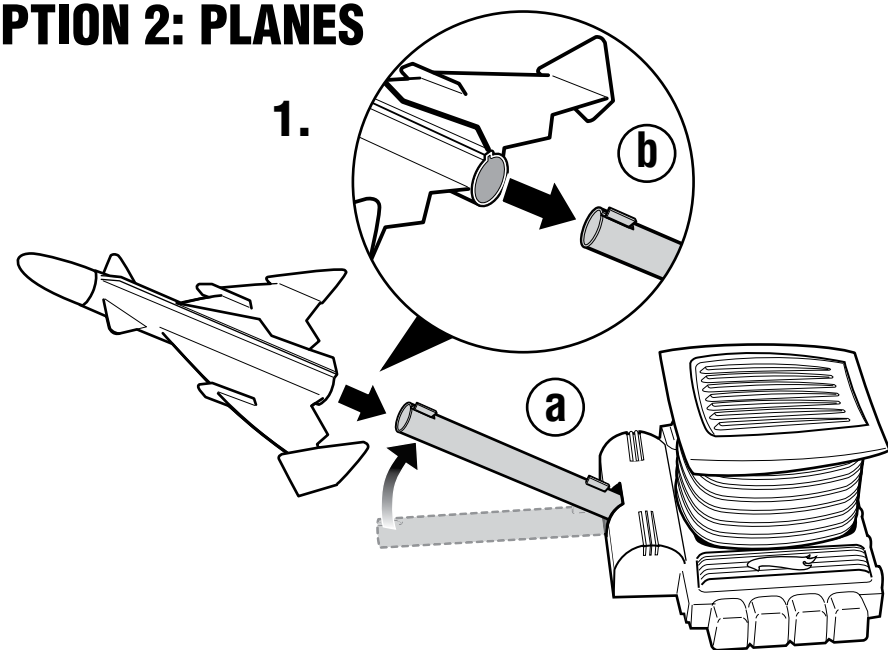
2. Pound slam pad to launch.



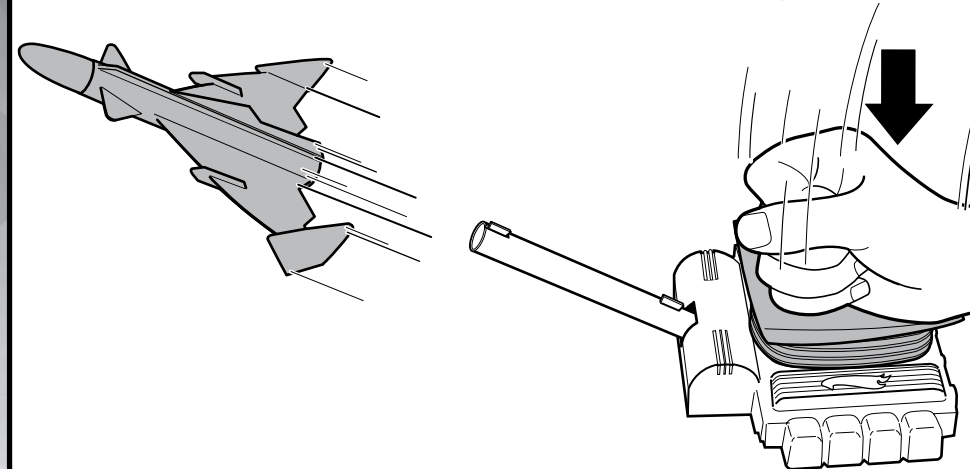
Works best on smooth, hard surfaces.

### OPTION 2: PLANES

1.



2. Pound slam pad to launch.



Do not aim at eyes or face. Only use vehicles supplied with this toy. Do not fire at point-blank range.

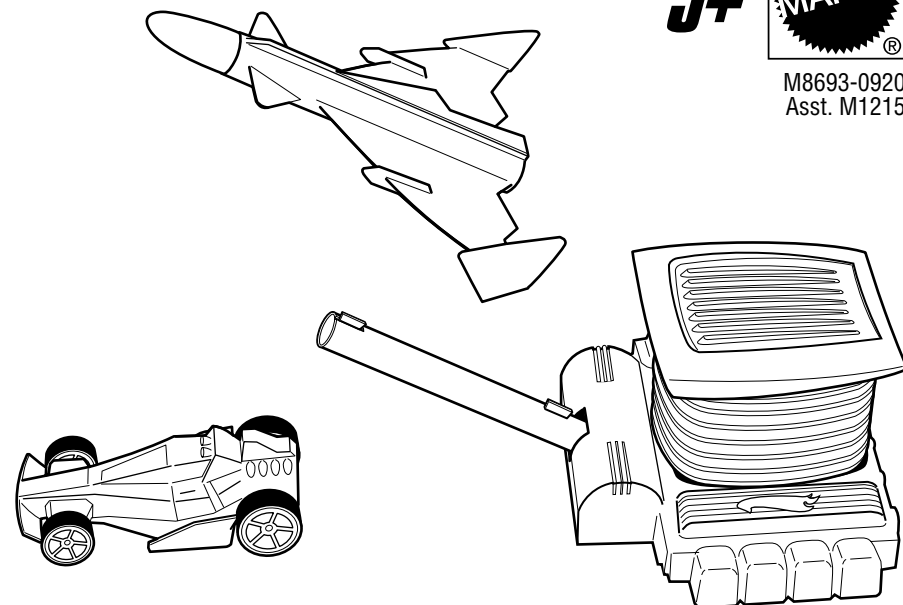


### INSTRUCTIONS

## LAUNCH-PACK

Please keep these instructions for future reference as they contain important information.

### CONTENTS

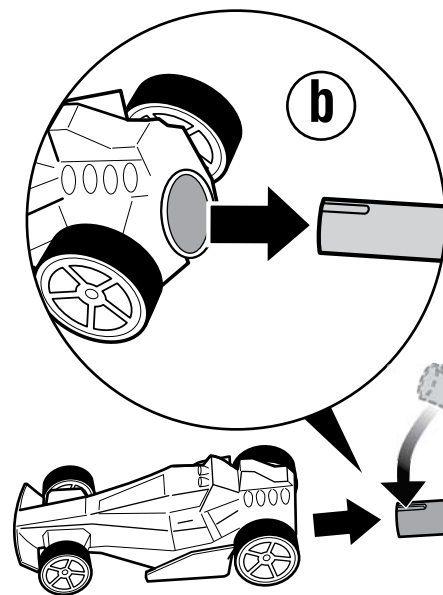


© 2008 Mattel, Inc. All Rights Reserved.

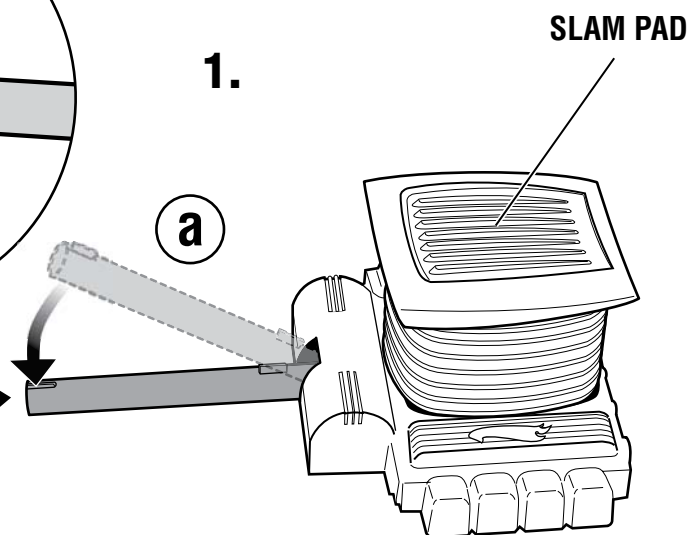
Mattel, Inc., 333 Continental Blvd., El Segundo, CA 90245 U.S.A. Consumer Relations 1 (800) 524-8697 service.mattel.com. • Mattel Canada Inc., Mississauga, Ontario L5R 3W2. You may call us free at 1-800-524-8697. • Mattel U.K. Ltd., Vanwall Business Park, Maidenhead SL6 4UB. Helpline 01628500303 • Mattel Australia Pty., Ltd., Richmond, Victoria. 3121. Consumer Advisory Service - 1300 135 312. • Mattel East Asia Ltd., Room 1106, South Tower, World Finance Centre, Harbour City, Tsimshatsui, HK, China. • Diimport & Diedarkan Oleh: Mattel SEA Ptd Ltd.(993532-P) Lot 13.5, 13th Floor, Menara Lien Hoe, Persiaran Tropicana Golf Country Resort, 47410 P.J. Tel:03-78803817, Fax:03-78803867.

### TO PLAY

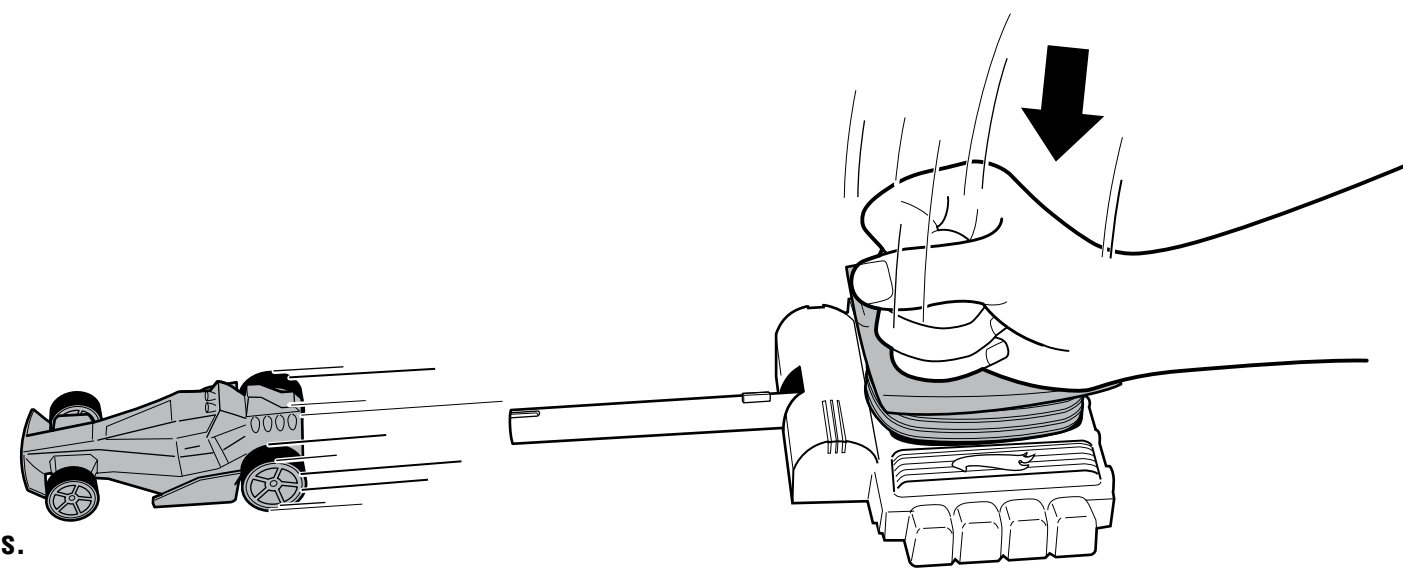
### OPTION 1: CARS



1.

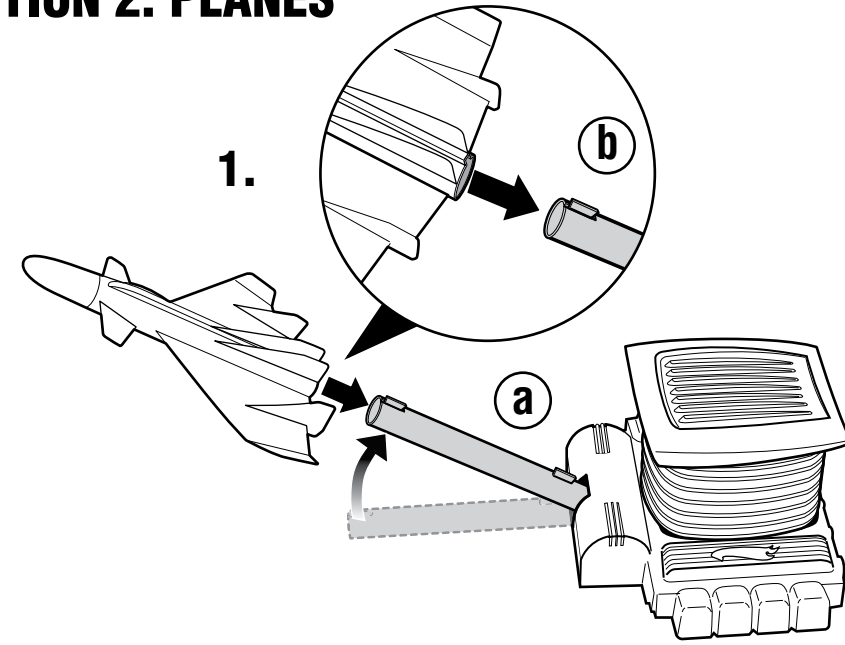


2. Pound slam pad to launch.

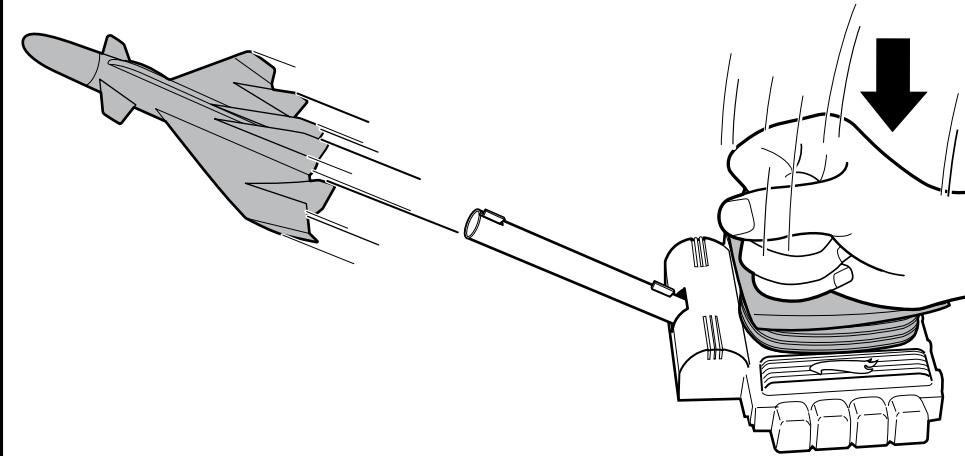


Works best on smooth, hard surfaces.

### OPTION 2: PLANES



2. Pound slam pad to launch.



Do not aim at eyes or face. Only use vehicles supplied with this toy. Do not fire at point-blank range.



### INSTRUCTIONS

## LAUNCH-PACK

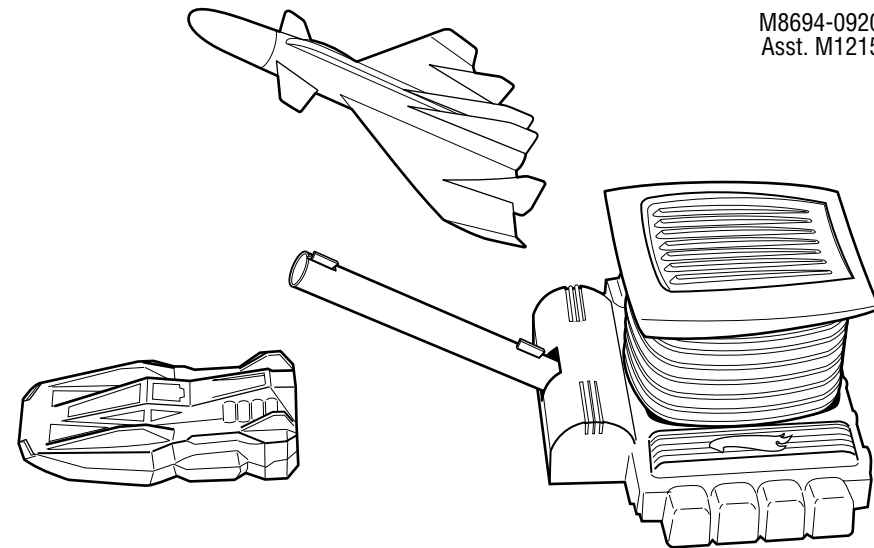
Please keep these instructions for future reference as they contain important information.

### CONTENTS

5+



M8694-0920  
Asst. M1215

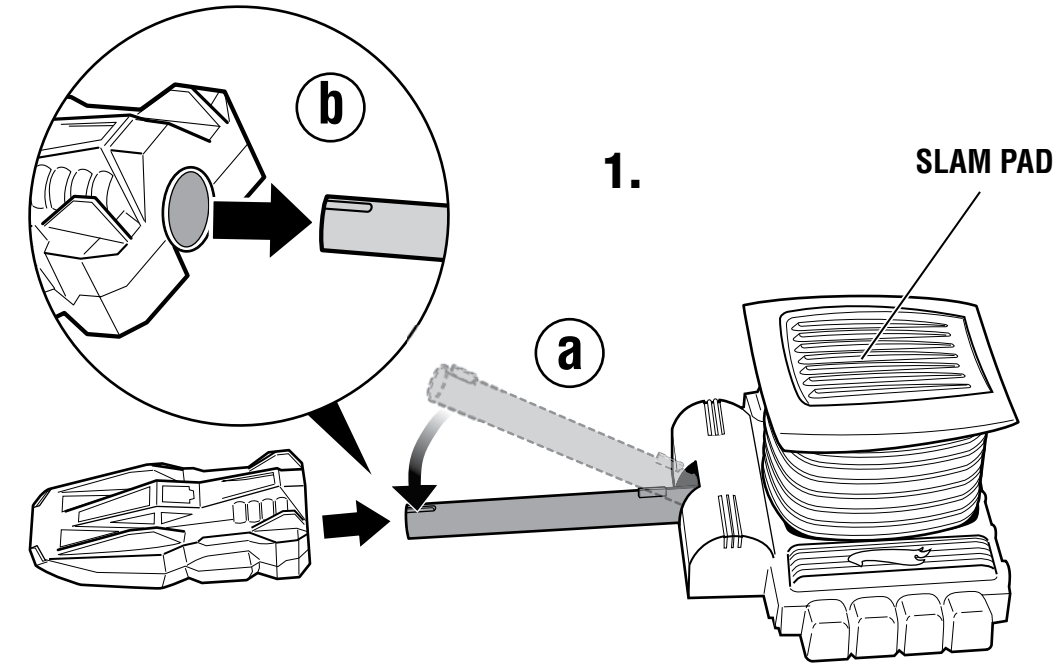


© 2008 Mattel, Inc. All Rights Reserved.

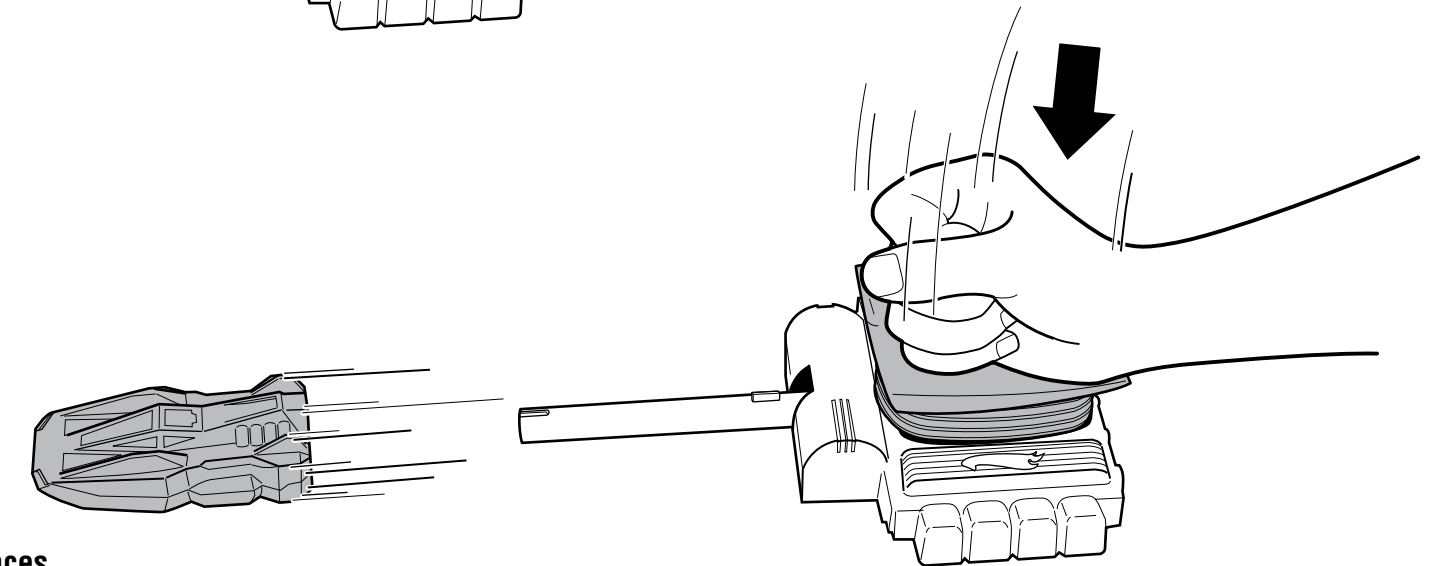
Mattel, Inc., 333 Continental Blvd., El Segundo, CA 90245 U.S.A. Consumer Relations 1 (800) 524-8697 service.mattel.com. • Mattel Canada Inc., Mississauga, Ontario L5R 3W2. You may call us free at 1-800-524-8697. • Mattel U.K. Ltd., Vanwall Business Park, Maidenhead SL6 4UB. Helpline 01628500303 • Mattel Australia Pty., Ltd., Richmond, Victoria. 3121. Consumer Advisory Service - 1300 135 312. • Mattel East Asia Ltd., Room 1106, South Tower, World Finance Centre, Harbour City, Tsimshatsui, HK, China. • Diimport & Diedarkan Oleh: Mattel SEA Ptd Ltd.(993532-P) Lot 13.5, 13th Floor, Menara Lien Hoe, Persiaran Tropicana Golf Country Resort, 47410 P.J. Tel:03-78803817, Fax:03-78803867.

### TO PLAY

### OPTION 1: CARS



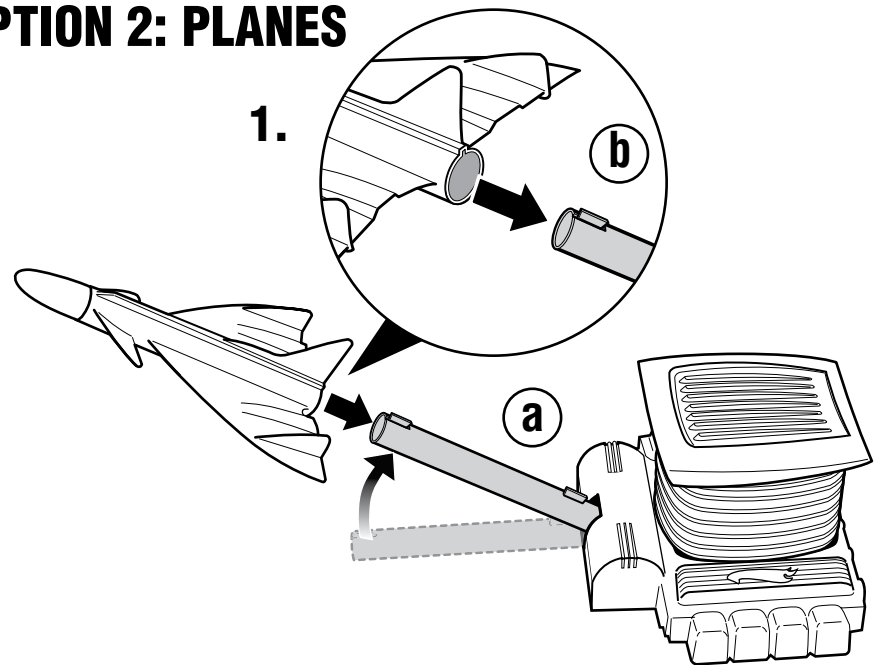
2. Pound slam pad to launch.



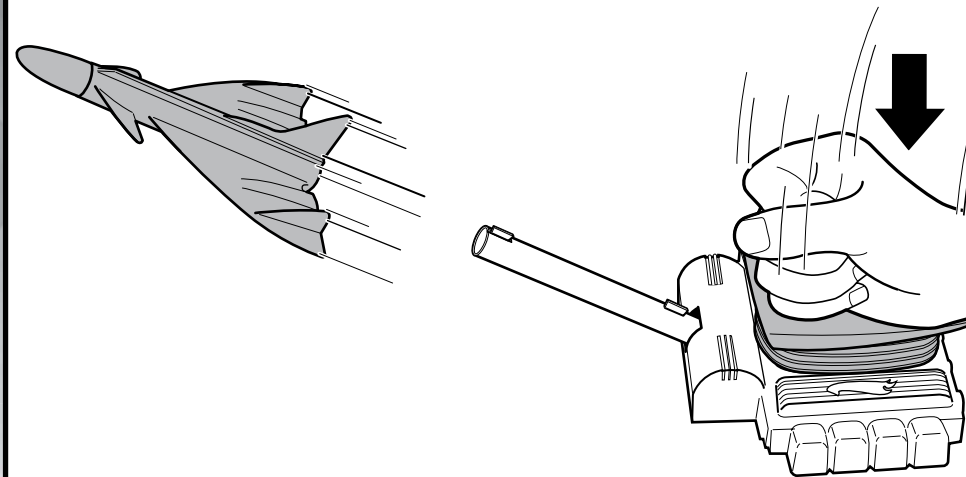
Works best on smooth, hard surfaces.

### OPTION 2: PLANES

1.



2. Pound slam pad to launch.



Do not aim at eyes or face. Only use vehicles supplied with this toy. Do not fire at point-blank range.

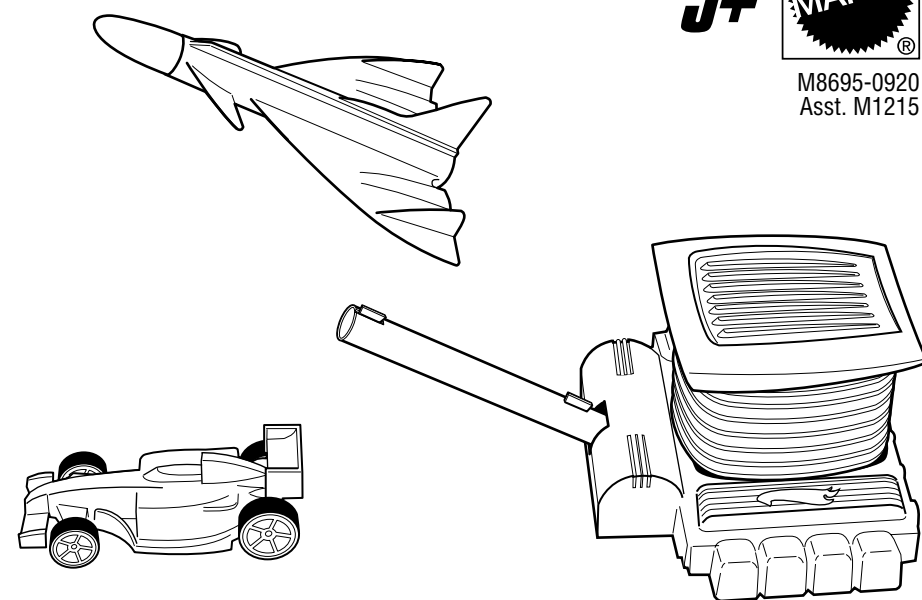


### INSTRUCTIONS

## LAUNCH-PACK

Please keep these instructions for future reference as they contain important information.

### CONTENTS

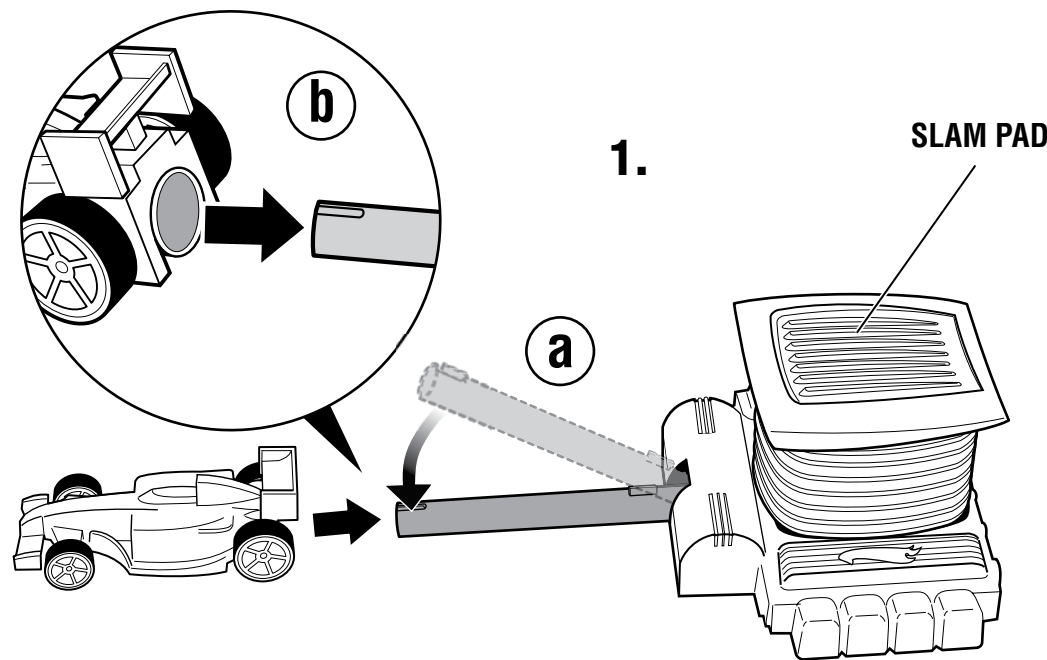


© 2008 Mattel, Inc. All Rights Reserved.

Mattel, Inc., 333 Continental Blvd., El Segundo, CA 90245 U.S.A. Consumer Relations 1 (800) 524-8697 service.mattel.com. • Mattel Canada Inc., Mississauga, Ontario L5R 3W2. You may call us free at 1-800-524-8697. • Mattel U.K. Ltd., Vanwall Business Park, Maidenhead SL6 4UB. Helpline 01628500303 • Mattel Australia Pty., Ltd., Richmond, Victoria. 3121. Consumer Advisory Service - 1300 135 312. • Mattel East Asia Ltd., Room 1106, South Tower, World Finance Centre, Harbour City, Tsimshatsui, HK, China. • Diimport & Diedarkan Oleh: Mattel SEA Ptd Ltd.(993532-P) Lot 13.5, 13th Floor, Menara Lien Hoe, Persiaran Tropicana Golf Country Resort, 47410 PJ. Tel:03-78803817, Fax:03-78803867.

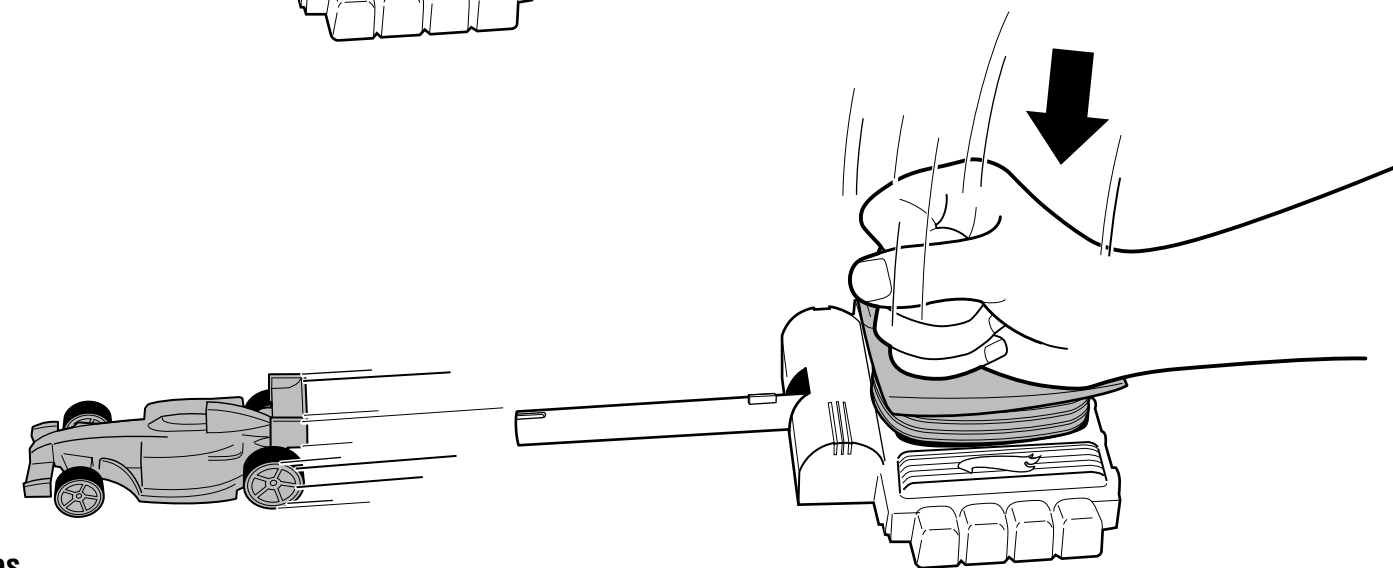
### TO PLAY

### OPTION 1: CARS



1.

2. Pound slam pad to launch.



Works best on smooth, hard surfaces.