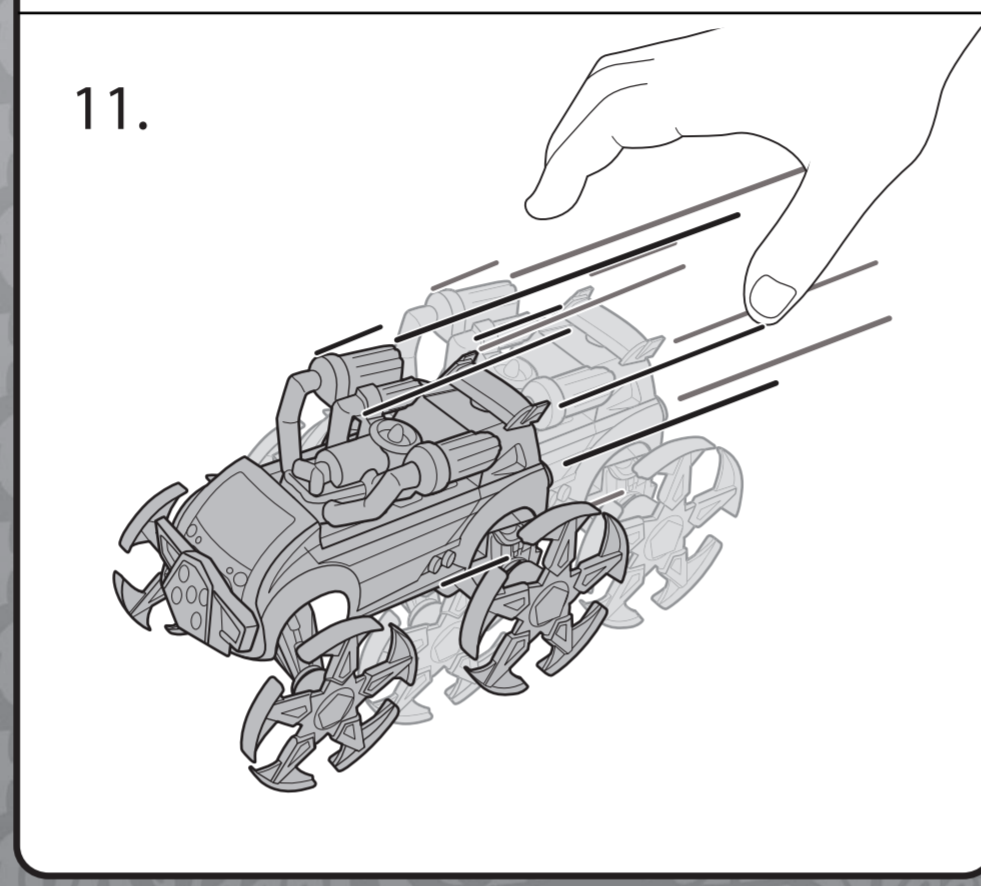
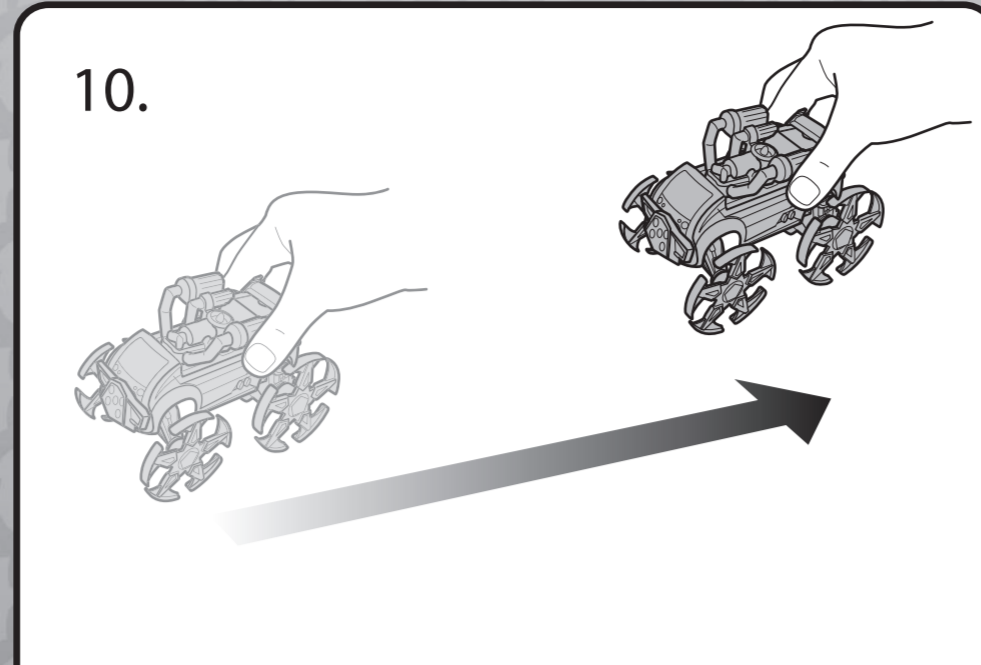
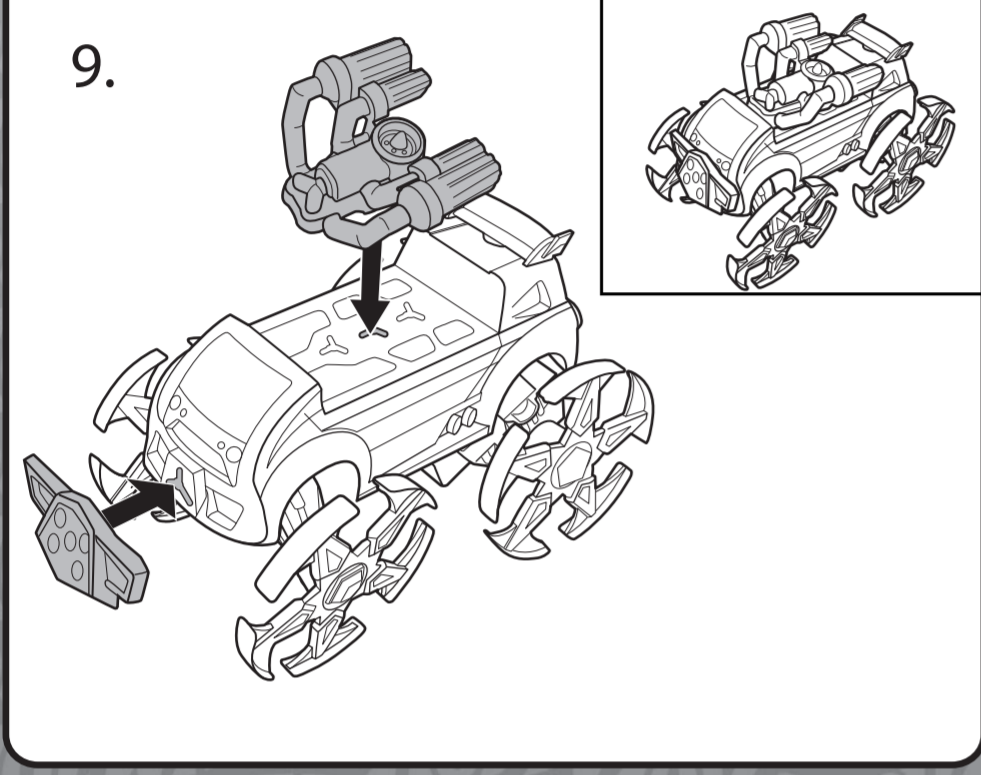
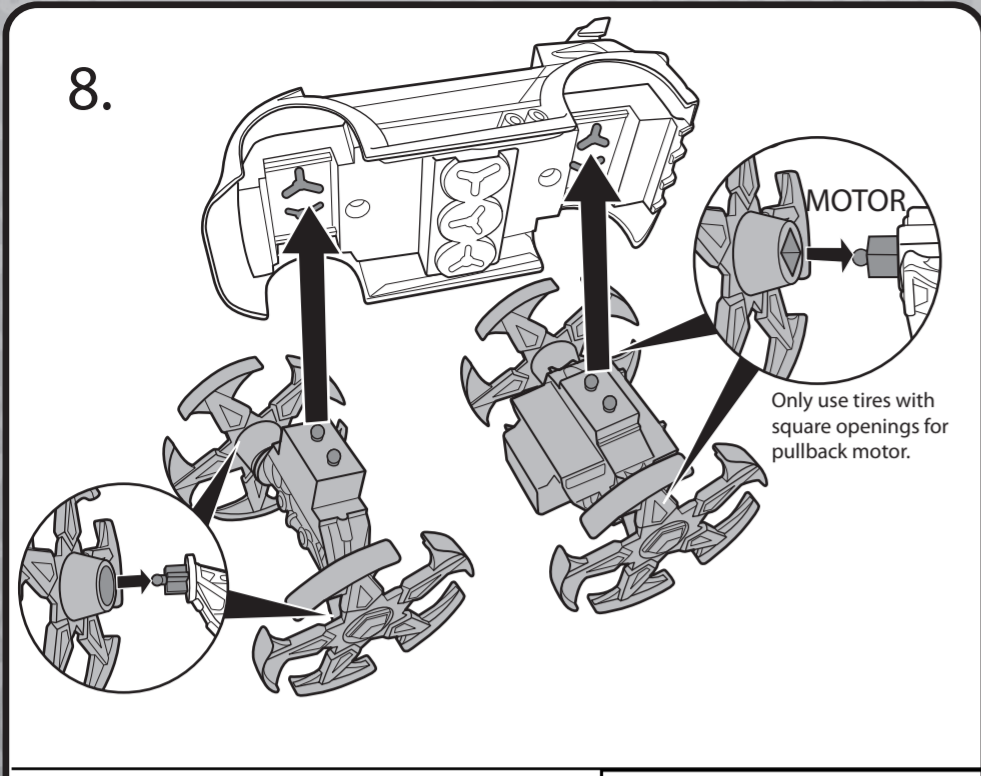


INSTRUCTION SHEET SPECIFICATIONS	
Toy No.:	HW HYPERLINER V1788
Part No.:	0920
Trim Size:	16.5" W x 8.5" H
Folded Size:	5.5" W x 8.5" H
Type of Fold:	Single
# colors:	One
Colors:	Black
Paper Stock:	White Offset
Paper Weight:	70 lb.
EDM No.:	



HYPERLINER®

INSTRUCTIONS

Please keep these instructions for future reference as they contain important information.

CONTENTS

4+

V1788-0920
Asst. V1785

WARNING:
CHOKING HAZARD - Small parts.
Not for children under 3 years.

© 2010 Mattel, Inc. All Rights Reserved. Mattel, Inc., 636 Girard Avenue, East Aurora, NY 14052, U.S.A. Consumer Relations 1-800-524-8697. Mattel U.K. Ltd., Vanwall Business Park, Maidenhead SL6 4UB. Helpline 01628 500303. Mattel Australia Pty. Ltd., Richmond, Victoria, 3121. Consumer Advisory Service - 1300 135 312. Mattel East Asia Ltd., Room 1106, South Tower, World Finance Centre, Harbour City, Tsimshatsui, HK, China. Diimport & Diadakan Oleh: Mattel SEA Ptd Ltd.(993532-P) Lot 13.5, 13th Floor, Menara Lien Hoe, Persiaran Tropicana Golf Country Resort, 47410 P.J. Tel:03-78803817, Fax:03-78803867. SERVICE.MATTEL.COM

TO PLAY

1.

2.

3.

4.

5.

Warning:
Do not aim at eyes or face.
Only use projectiles supplied with this toy.
Do not fire at point-blank range.

6.

7.