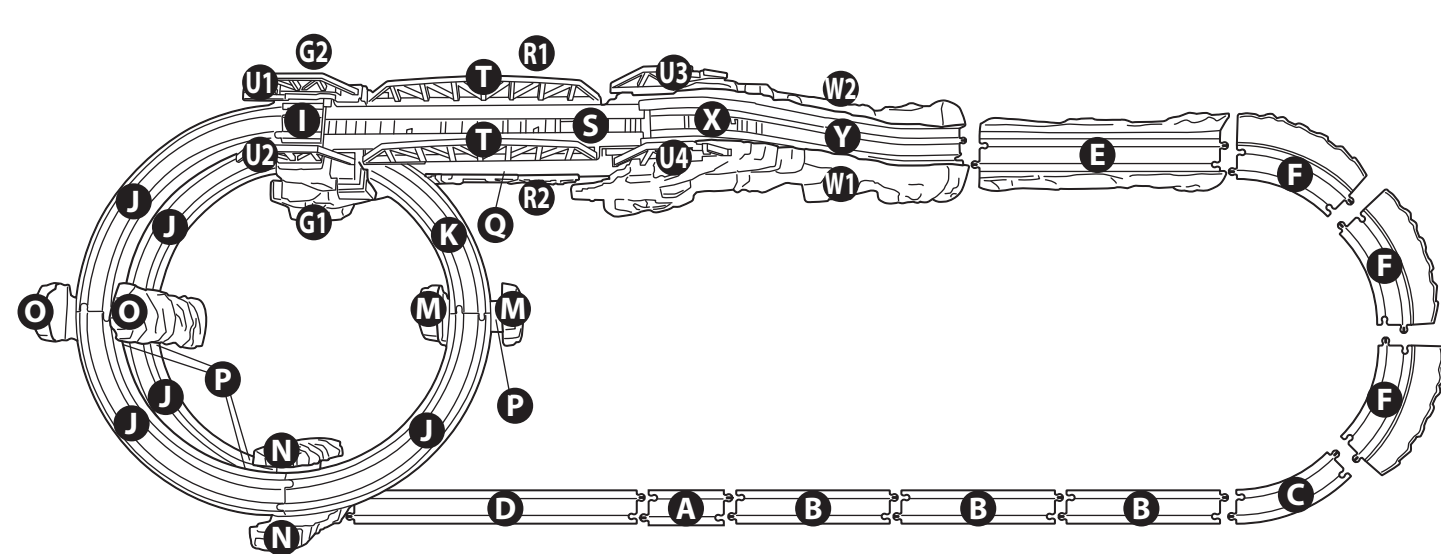


Track Layout



NOTE: Adults should remove & discard rubber bands holding tracks together.

Checklist

A X 1 Half Straight	B X 3 Straight	C X 1 Curve	D X 1 Sloped Straight	E X 1 1/4 Valley Straight	F X 3 Cliff Side Curve
G X 1 Rear Mountain Wall-Right	H X 1 Rear Mountain Wall-Left	I X 1 Special Function Crossbeam	J X 1 Mountain Quarter Track	K X 5 Mountain Sloped Curve	L X 1 Mountain Sloped Turn Out (R)
M X 2 Mountain Support (Level 1)	N X 2 Mountain Support (Level 2)	O X 2 Mountain Support (Level 3)	P X 6 Crossbeam	Q X 1 Interior Mine Track	R X 1 Mine Track Trestle - Left
S X 1 Mine Track Trestle - Right	T X 1 Bridge Track	U X 2 Center Bridge Arch	V X 1 Rear Bridge Arch - Left	W X 1 Rear Bridge Arch - Right	X X 1 Front Bridge Arch - Right
Y X 1 Front Bridge Arch - Left	Z X 1 Lower Blue Waterfall Track	AA X 1 Front Mountain Wall - Right	AB X 1 Front Mountain Wall - Left	AC X 1 Upper Blue Waterfall Track	AD X 1 Blue Waterfall Door
AE X 1 Thomas					

BATTERY INSTALLATION

Unscrew and lift cover away from top of Thomas.
Install battery as indicated inside the battery compartment.
For longer life use only alkaline batteries.

Requires 1 AA (LR6) battery.

If this toy begins to operate erratically, you may need to reset the electronics.
Remove the batteries from the toy and replace it.

BATTERY SAFETY INFORMATION

- In exceptional circumstances batteries may leak fluids that can cause a chemical burn injury or run your toy (product). To avoid battery leakage:
- Non-rechargeable batteries are not to be recharged.
- Rechargeable batteries are to be removed from the product before being charged (if designed to be removable).
- Rechargeable batteries are only to be charged under adult supervision (if designed to be removable).
- Do not mix alkaline, standard (carbon-zinc), or rechargeable (nickel-cadmium) batteries.
- Do not mix old and new batteries.
- Only batteries of the same or equivalent type as recommended are to be used.
- Batteries are to be inserted with the correct polarity.
- Exhausted batteries are to be removed from the product.
- The supply terminals are not to be short-circuited.
- Dispose of battery(ies) safely.
- Do not dispose of this product in a fire. The batteries inside may explode or leak.

This equipment has been tested and found to comply with the limits for a Class B digital device, pursuant to part 15 of the FCC rules. These limits are designed to provide reasonable protection against harmful interference in a residential installation. This equipment generates, uses and can radiate radio frequency energy and, if not installed and used in accordance with the instructions, may cause harmful interference to radio communications. However, there is no guarantee that interference will not occur in a particular installation. If this equipment does cause harmful interference to radio or television reception, which can be determined by turning the equipment off and on, the user is encouraged to try to correct the interference by one or more of the following measures: Reorient or relocate the receiving antenna. Increase the separation between the equipment and receiver. Connect the equipment into an outlet on a circuit different from that to which the receiver is connected. Consult the dealer or an experienced radio/TV technician for help.

NOTE: Changes or modifications not expressly approved by the manufacturer responsible for compliance could void the user's authority to operate the equipment.
This device complies with part 15 of the FCC Rules. Operation is subject to the following two conditions:
(1) This device may not cause harmful interference, and
(2) this device must accept any interference received, including interference that may cause undesired operation.

• THIS CLASS B DIGITAL APPARATUS COMPLIES WITH CANADIAN ICES-003.
• CET APPAREIL NUMERIQUE DE LA CLASSE B EST CONFORME A LA NORME NMB-003 DU CANADA.

• Operation is subject to the following two conditions: (1) this device may not cause interference, and (2) this device must accept any interference, including interference that may cause undesired operation of the device.

• L'utilisation de ce produit est sujette aux conditions suivantes: (1) il ne doit pas produire de brouillage et (2) il doit pouvoir tolérer tout brouillage reçu, même si ce brouillage est susceptible de compromettre son fonctionnement.

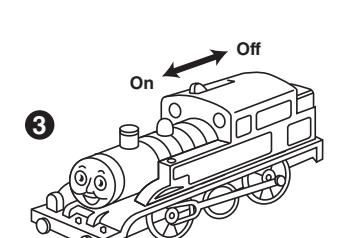
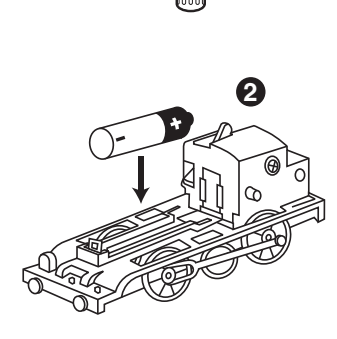
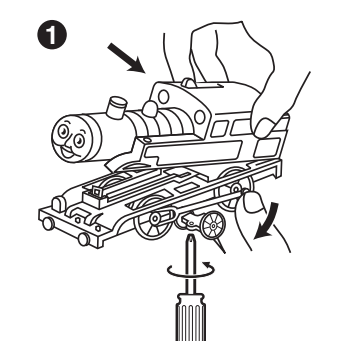
CONSUMER ASSISTANCE
service.fisher-price.com

Fisher-Price, Inc. 650 Ground Avenue, East Aurora, NY 14002.
Manufactured by: Mattel, Inc. 5055 Faber Place, El Segundo, CA 90245.
Outside the United States:
Canada: Mattel Canada Inc., 6555 Fleetwood Blvd., Mississauga, Ontario L5R 2Y3.
Great Britain: Mattel UK Ltd, The Old Rectory, Basingstoke, Hampshire RG24 0AB.
Australia: Mattel Australia Pty. Ltd., 490 Channon Street, Locked Bag #870, Richmond, Victoria 3123.
New Zealand: Mattel New Zealand, 1211 Hillside Drive, Albany 5801.
Mexico: Mattel Mexico, S. de RL, 11860 Ave. de las Américas, Apdo. Postal 1388, Cuernavaca, Mexico, Estado de Morelos.

Thomas the Tank Engine & Friends™
CREATED BY BRISTOL ALLCROFT
Based on the Railway Series by The Reverend W. Awdry.
© 2011 Gullane (Thomas) Limited.
© HIT Entertainment Limited.
HIT and the HIT logo are trademarks of HIT Entertainment Limited.
Fisher-Price, Inc. - a subsidiary of Mattel, Inc. East Aurora, NY 14002 U.S.A.
PRINTED IN CHINA.
Manufactured for Fisher-Price. ©2011 Mattel, Inc. All Rights Reserved.
© and ™ designate U.S. trademarks of Mattel, Inc. unless otherwise indicated.
Mattel East Asia Ltd., Room 1106, South Tower, World Finance Centre, Harbour City, Tsimshatsui, HK, China.

Thomas
1.5V x 1
AA (LR6)

Required tool:
Phillips screwdriver
(not included)



CAUTION:
To prevent entanglement,
keep hair away from wheels.

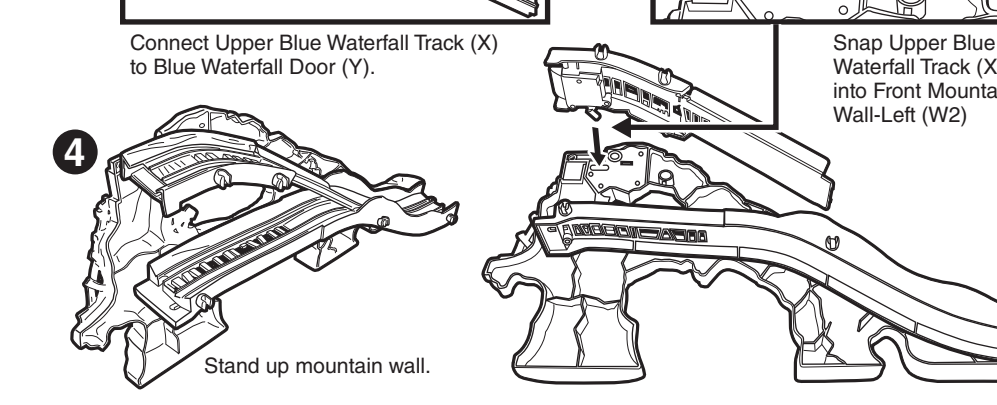
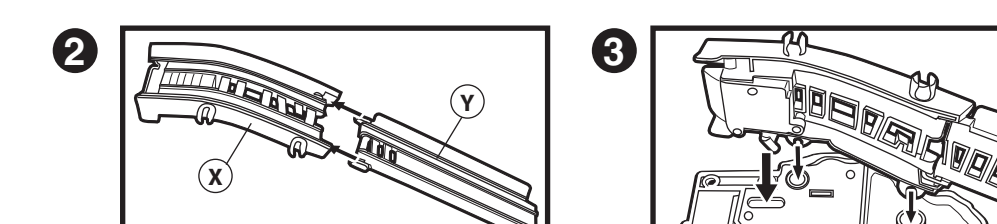
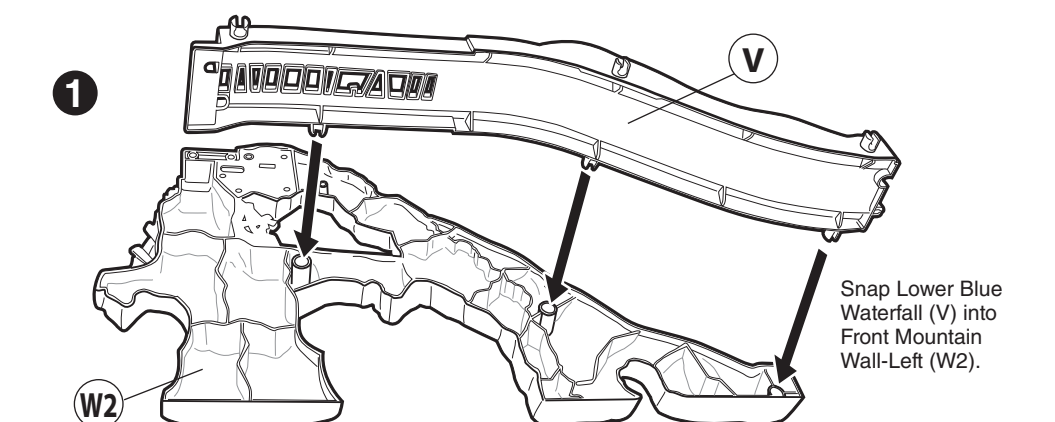
THOMAS & FRIENDS
TRACKMASTER
MOTORIZED RAILWAY

THOMAS AT
ACTION CANYON
INSTRUCTIONS

Please keep these instructions for future reference as they contain important information.

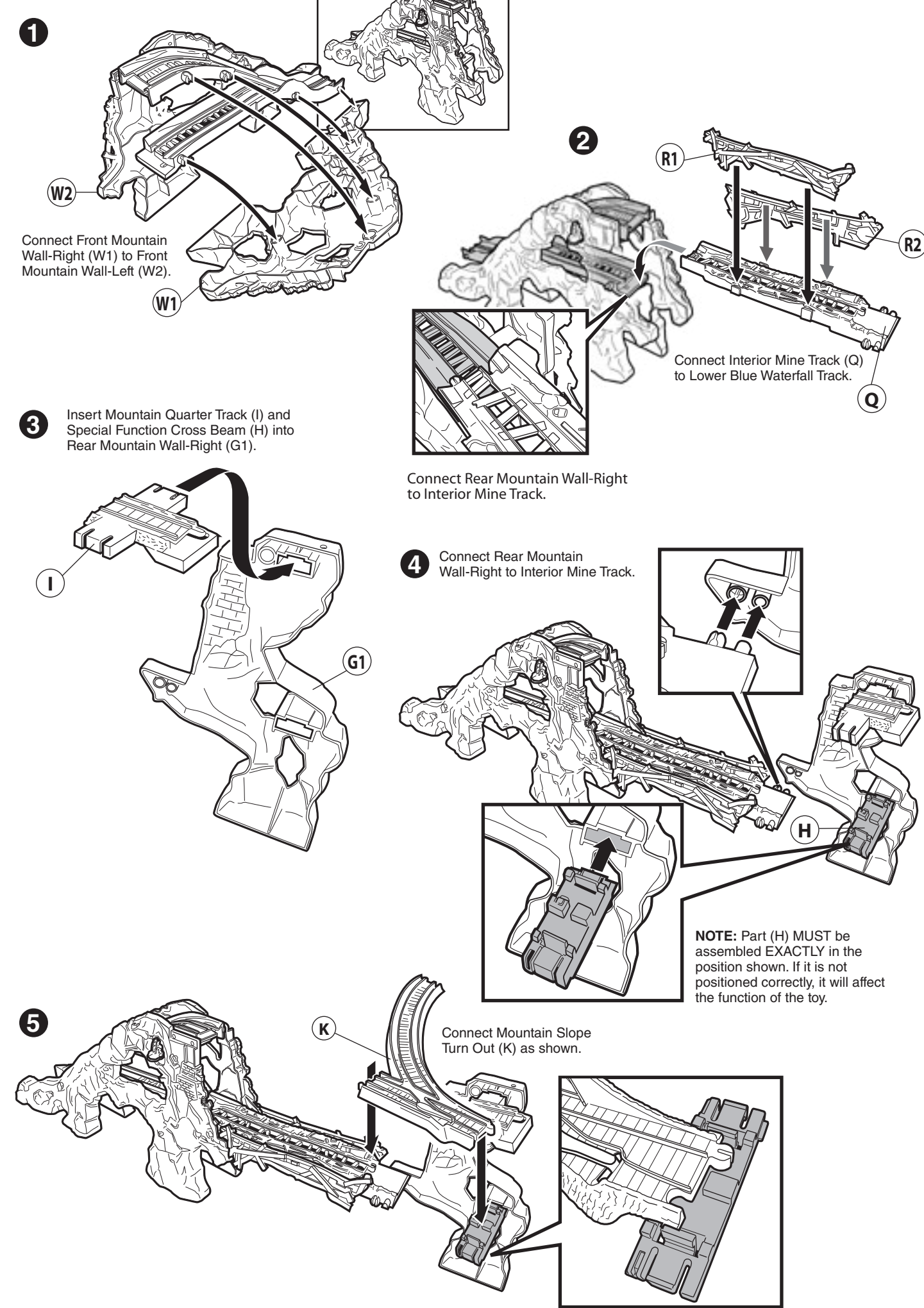


Waterfall Assembly

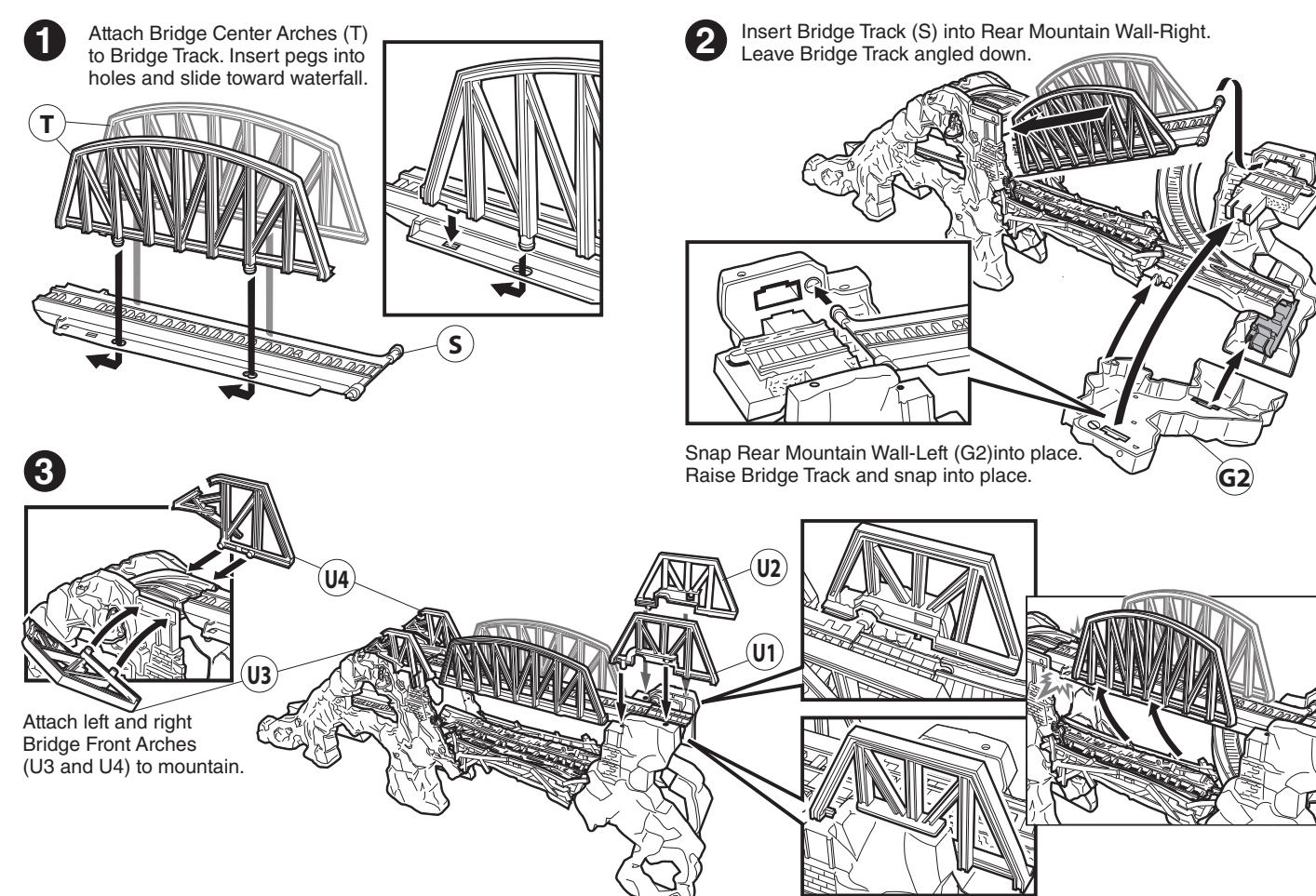


Stand up mountain wall.
Not for use with some TrackMaster™ engines.
ADULT ASSEMBLY REQUIRED. No tools required for assembly.

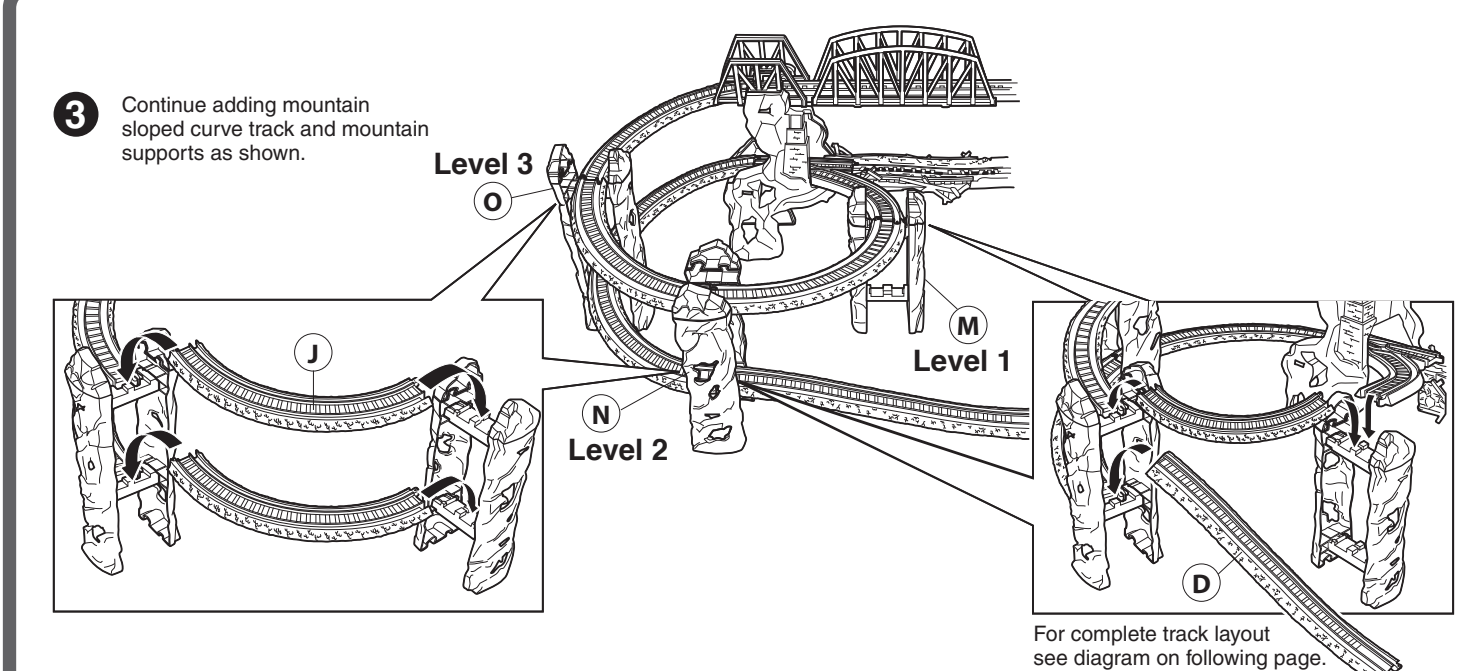
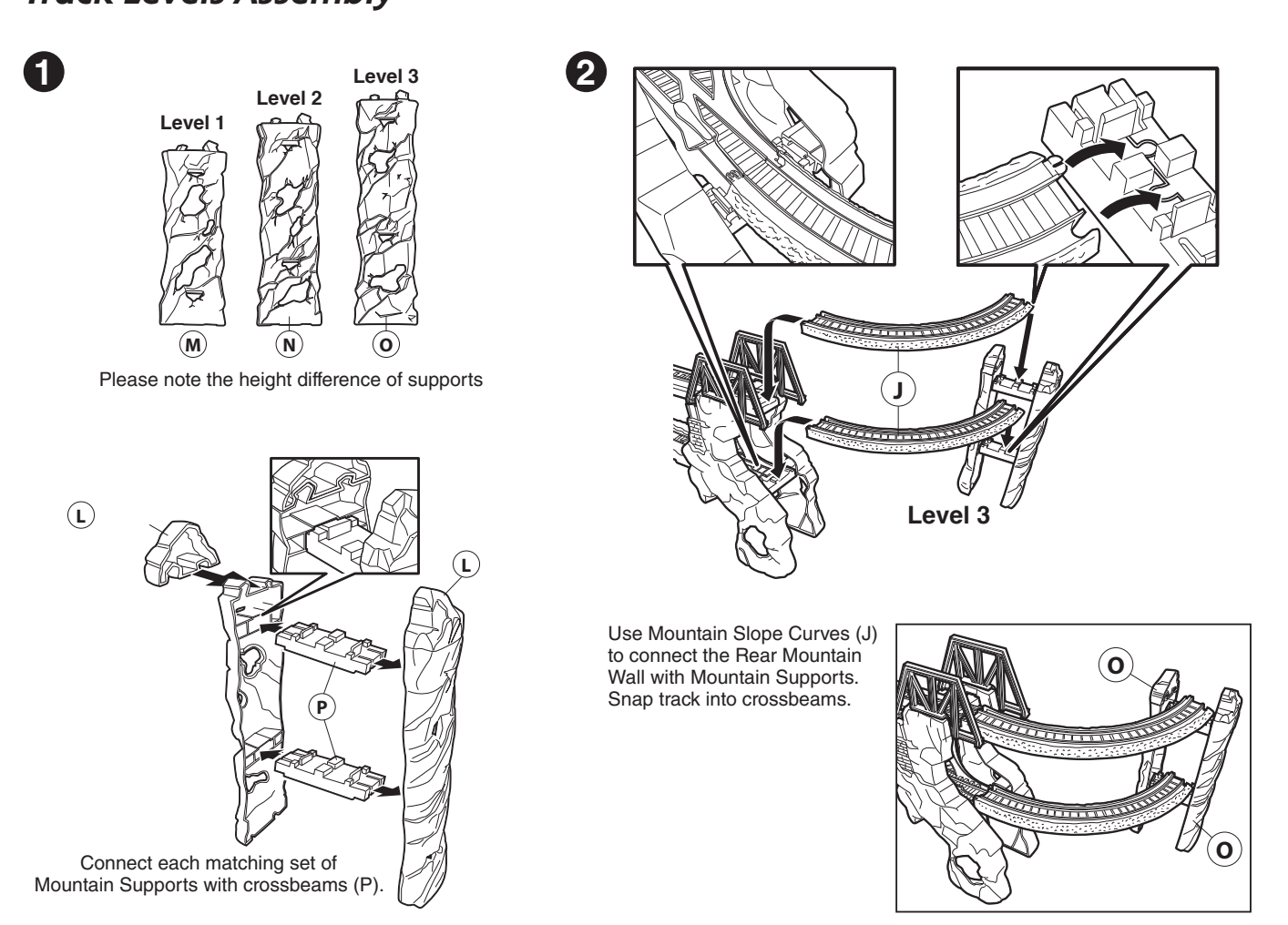
Mountain Assembly



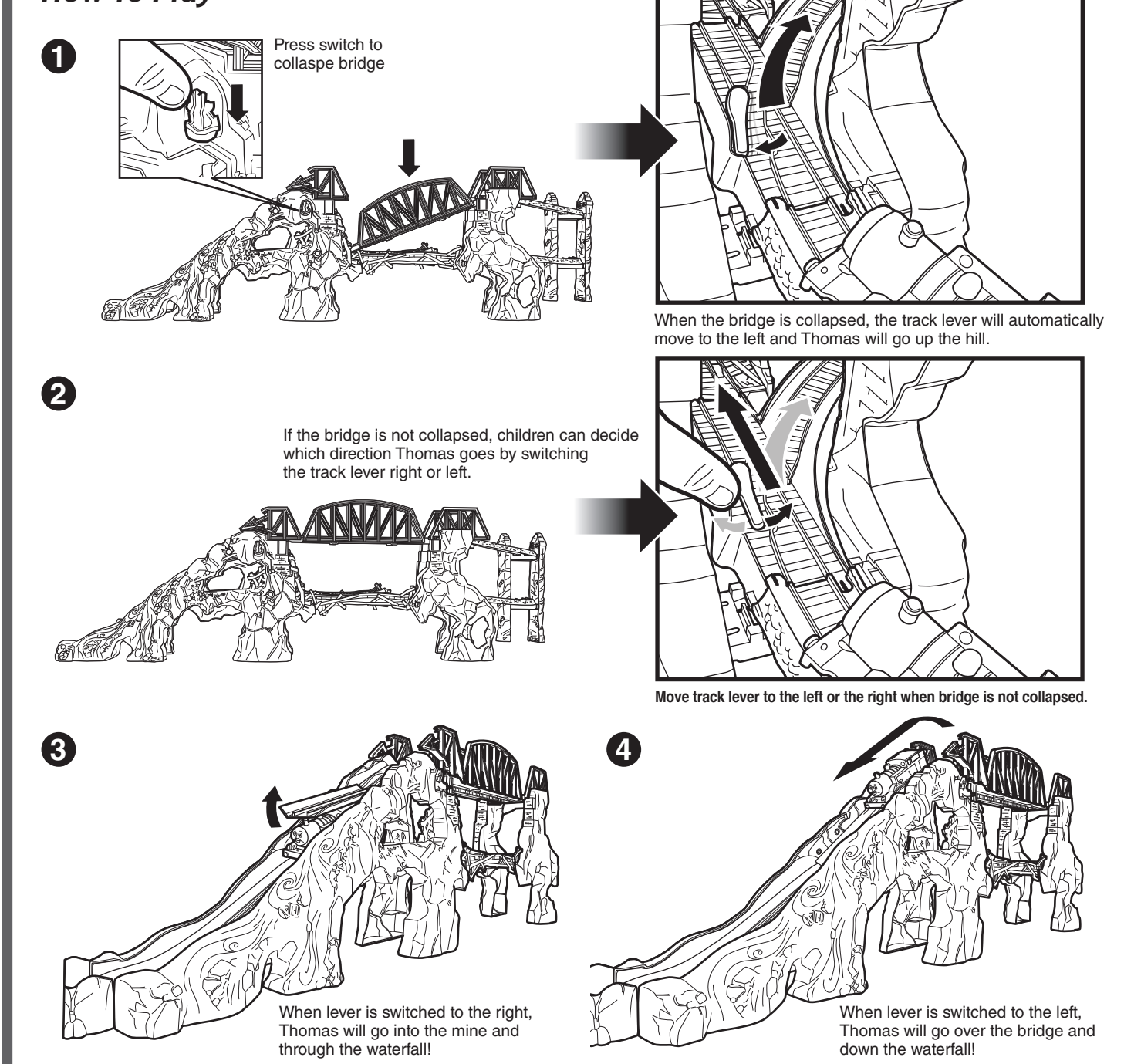
Bridge Assembly



Track Levels Assembly



How To Play



Instruction page sequence:

Side 1			
	P.5	P.6	COVER

Side 2			
	P.2	P.3	P.4

Item No : W3078-0020
Version : 01
Size : 24.8" x 11.69"
Paper : Woodfree paper 80 gsm
Color : Black
Date : April 27, 2011 (WC)