

**Fisher-Price®**

Visit [service.fisher-price.com](http://service.fisher-price.com)  
for assembly video



Please keep this instruction sheet for future reference,  
as it contains important information.

Requires three "C" (LR14) **alkaline** batteries (not included) for operation.  
Adult assembly is required. Tool required: Phillips screwdriver (not included).

Wipe this toy with a clean, damp cloth. Do not immerse.

This toy has no consumer serviceable parts. Do not take apart.

**[fisher-price.com](http://fisher-price.com)**

# Assembled Parts

## ⚠ CAUTION

This package contains small parts. For adult assembly only.



**Chute**



**Arch Spinner  
(Front and Back)**



**Ramp Spinner**



**Arch Connector**



**Inflatable Ball**



**Round Base**



**Trampoline Disk**



**Trampoline Base  
(Left and Right)**



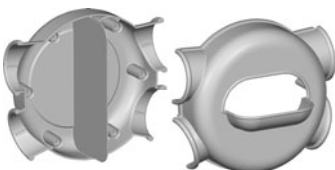
**2 Ramp Walls**



**2 Bases  
(Left and Right)**



**Gate**



**2 Ramp Connectors  
(Front and Back)**



**Gate Post**

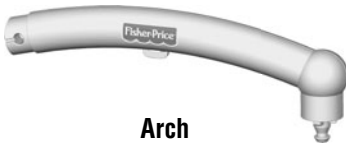


**Outer Post**

## Assembled Parts



Gate Frame



Arch

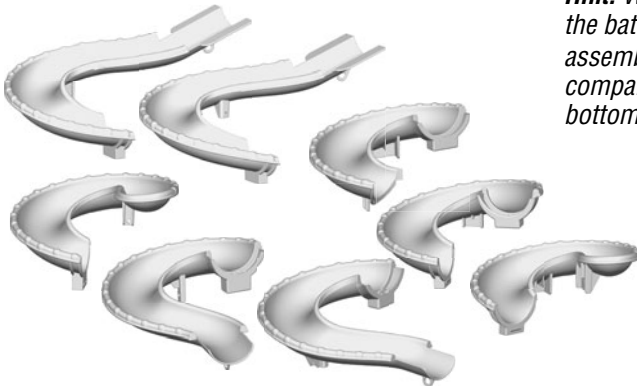


Arch Post



Center Post

*Hint: We recommend installing the batteries before beginning the assembly of this toy. The battery compartment is located on the bottom side of the center post.*



8 Curved Ramps (all different)



Base Ramp

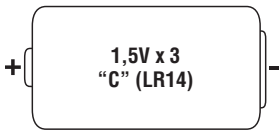


Upper Ramp

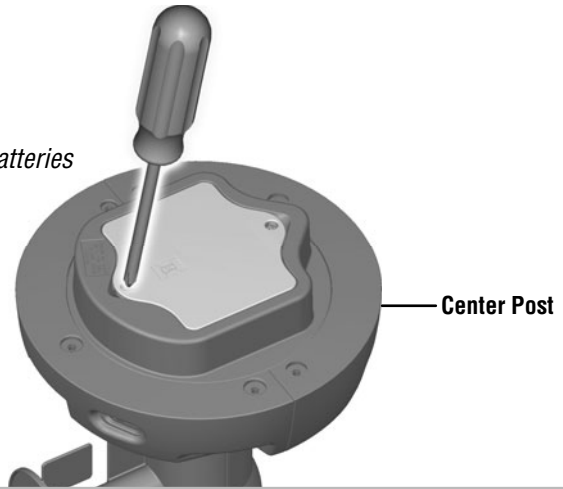


**#8 x  $\frac{3}{4}$ " (1,9 cm) Screw – 35**  
**SHOWN ACTUAL SIZE**  
Tighten and loosen all screws  
with a Phillips screwdriver.  
Do not over-tighten.

# Battery Installation



**Hint:** We recommend **alkaline** batteries for longer battery life.



- Locate the battery compartment on the bottom of the center post.
- Loosen the screws in the battery compartment door with a Phillips screwdriver and remove the door.
- Insert three "C" (LR14) **alkaline** batteries.
- Replace the battery compartment door and tighten the screws. Do not over-tighten.
- If this toy begins to operate erratically, you may need to reset the electronics. Slide the power/volume switch off and back on.
- When sounds or lights become faint or stop, it's time for an adult to change the batteries.



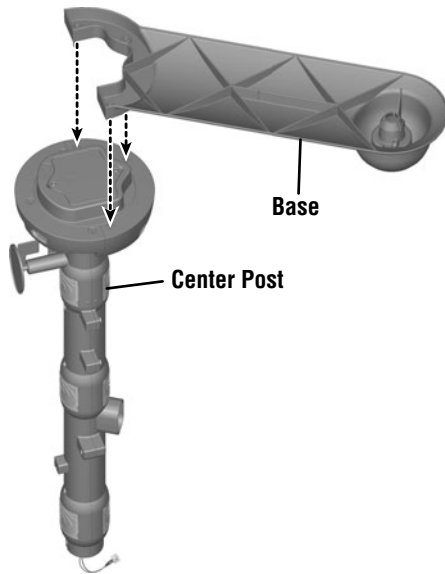
- Protect the environment by not disposing of this product with household waste (2002/96/EC). Check your local authority for recycling advice and facilities.

## Battery Safety Information

In exceptional circumstances, batteries may leak fluids that can cause a chemical burn injury or ruin your product. To avoid battery leakage:

- Do not mix old and new batteries or batteries of different types: alkaline, standard (carbon-zinc) or rechargeable (nickel-cadmium).
- Insert batteries as indicated inside the battery compartment.
- Remove batteries during long periods of non-use. Always remove exhausted batteries from the product. Dispose of batteries safely. Do not dispose of this product in a fire. The batteries inside may explode or leak.
- Never short-circuit the battery terminals.
- Use only batteries of the same or equivalent type, as recommended.
- Do not charge non-rechargeable batteries.
- Remove rechargeable batteries from the product before charging.
- If removable, rechargeable batteries are used, they are only to be charged under adult supervision.

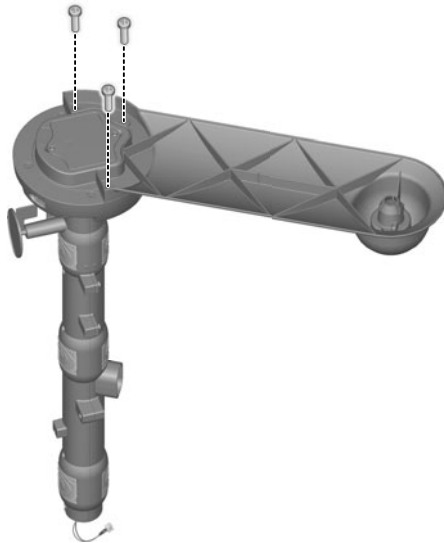
# Assembly



1

- Fit a base onto the bottom of the center post.

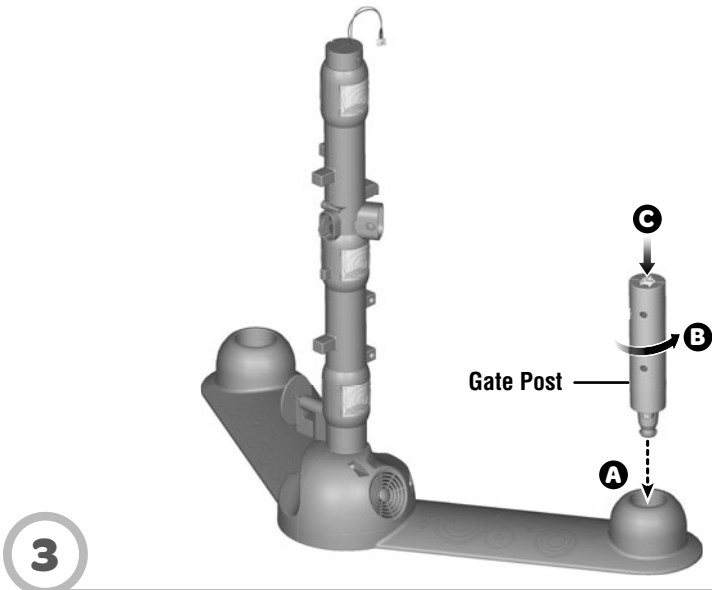
*Hint: Each base is designed to fit one way. If it does not seem to fit, try the other base.*



2

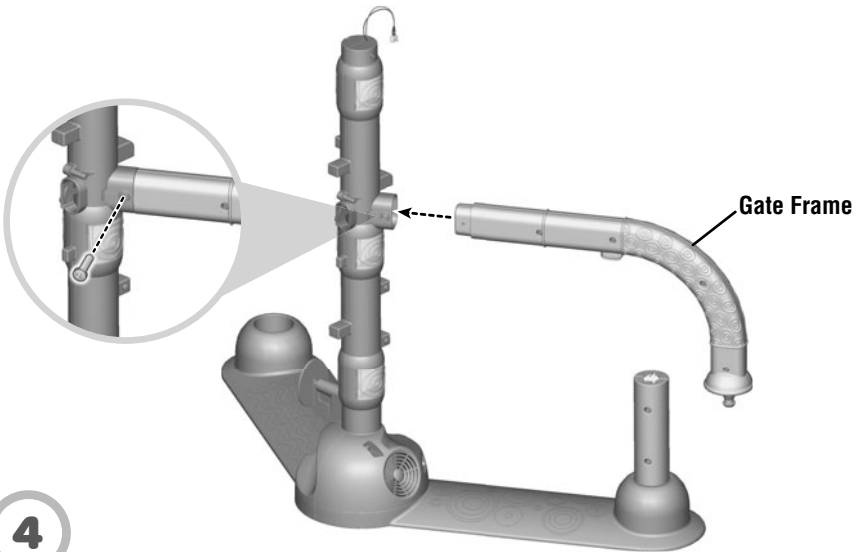
- Insert three screws into the holes in the base and tighten.
- Repeat this procedure to assemble the other base to the center post.
- Turn the assembly upright.

# Assembly



3

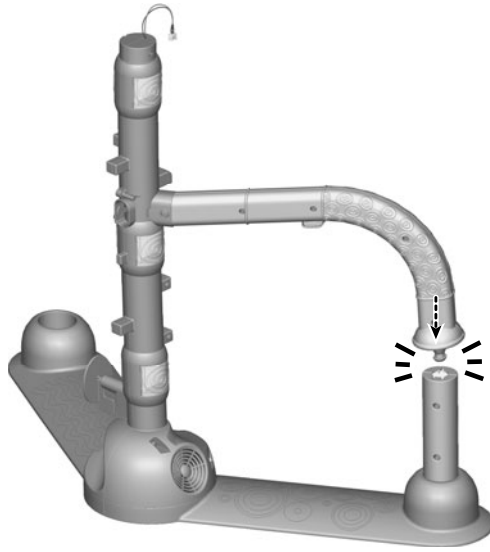
- Fit the gate post into the socket in the base assembly **A**.
- *Hint: If the gate post does not seem to fit, try the other socket in the base assembly.*
- Turn the gate post **B** and then push down **C** to “snap” it in place. Pull up on the gate post to be sure it is secure.



4

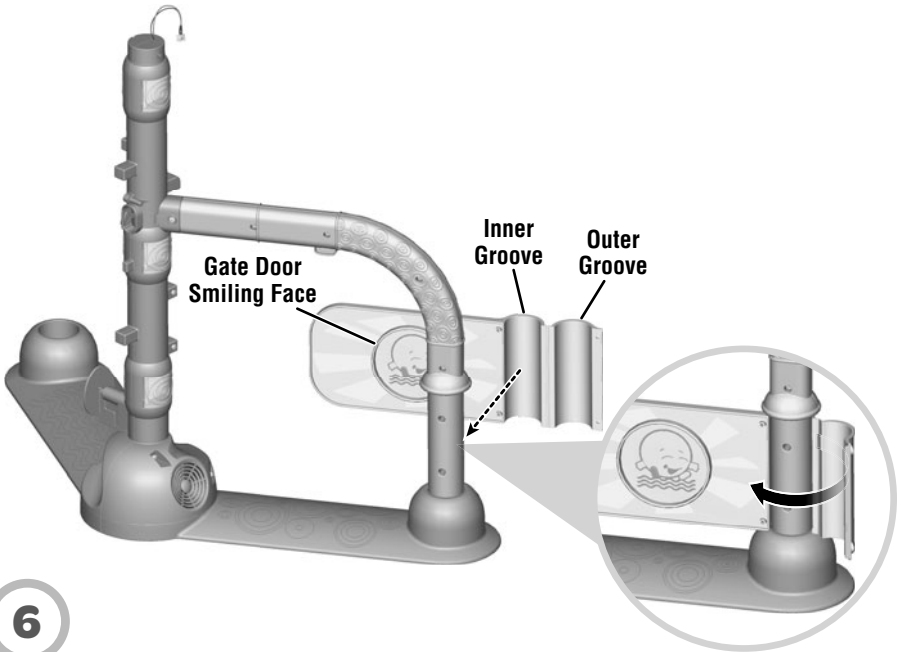
- Fit the long end of the gate frame into the connector on the center post.
- Insert a screw into the center post connector and tighten.

# Assembly



5

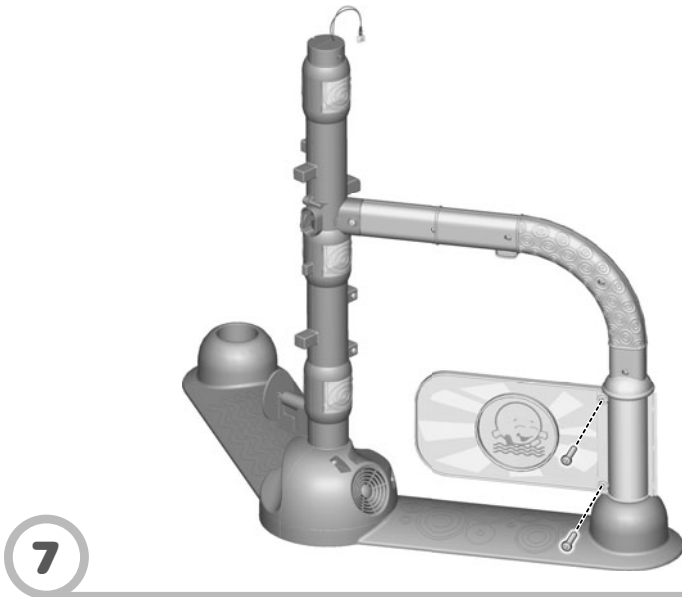
- “**Snap**” the free end of the gate frame into the top of the gate post. Pull up on the gate frame to be sure it is secure.



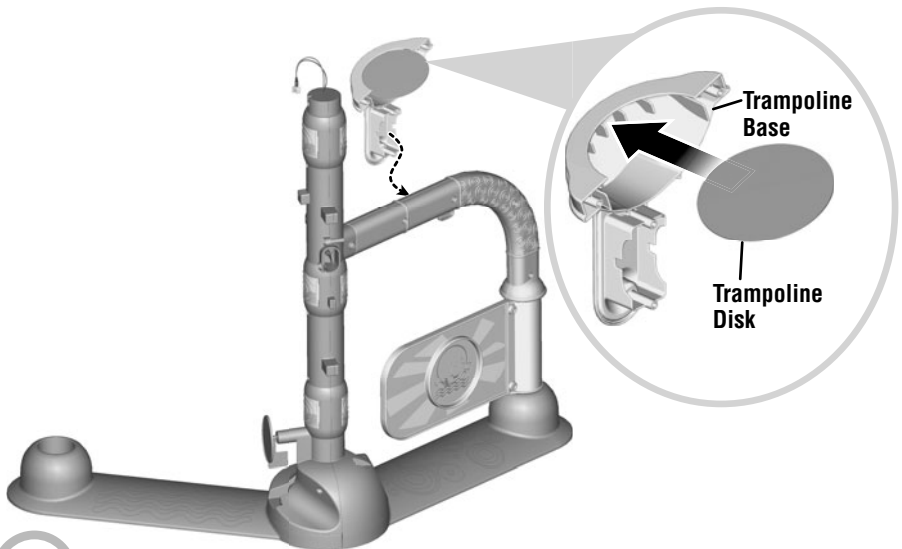
6

- Position the gate door with the smiling face **upright**.
- First, fit the inner groove on the gate door to the gate post.
- Next, wrap the outer groove around the gate post. Hold the gate assembly in place.

## Assembly



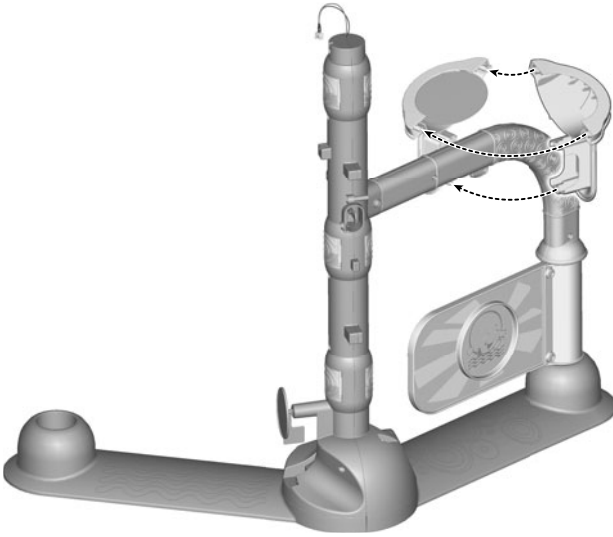
- Insert two screws into the gate door and tighten.



- Fit the trampoline disk into the slots in one of the trampoline bases.
- **With the disk tilted toward the center post**, fit the trampoline assembly to the gate frame.

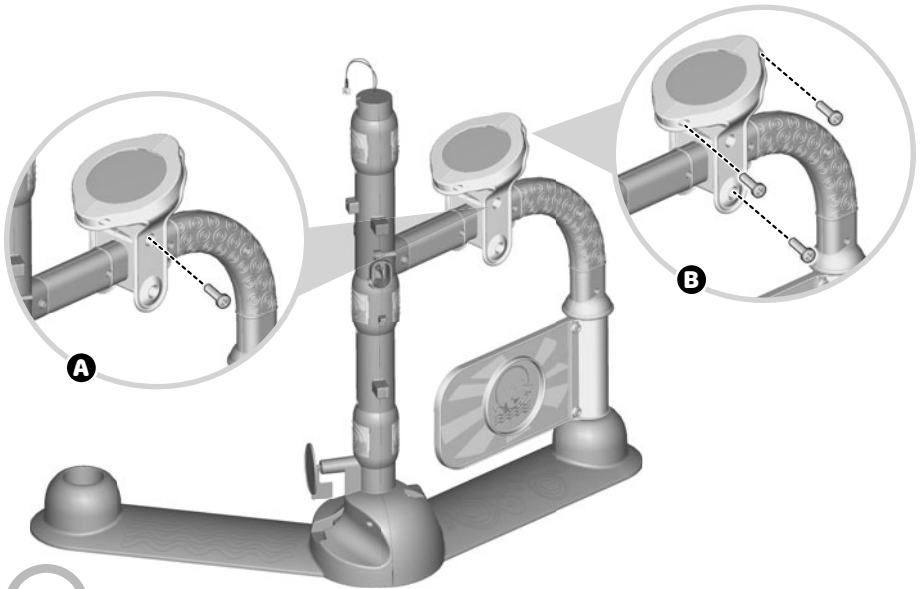


# Assembly



9

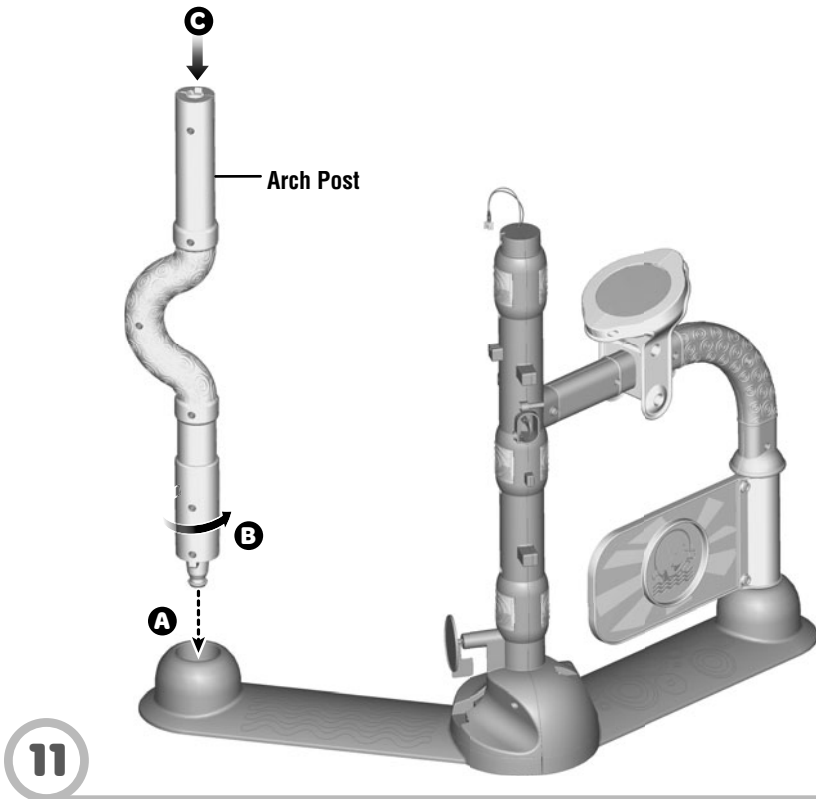
- Fit the remaining trampoline base to the door frame, trampoline disk and trampoline base.



10

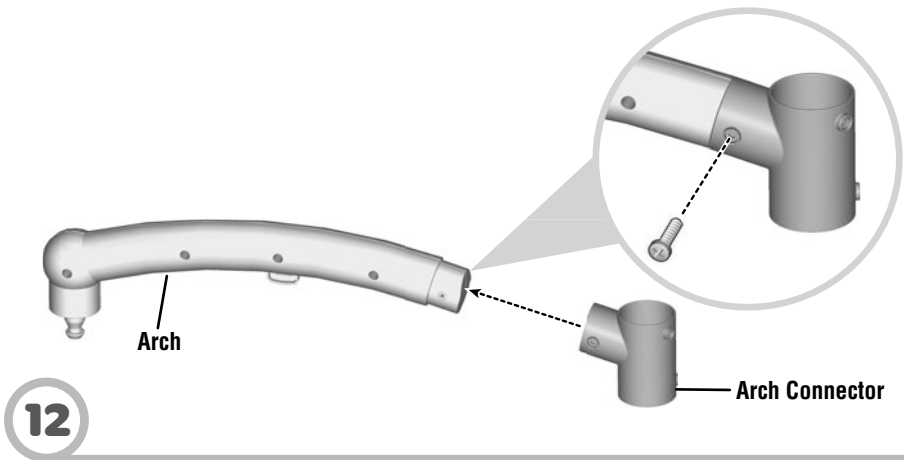
- To hold the trampoline assembly in place, first insert a screw into the top center hole and tighten **A**.
- Insert three more screws into the trampoline assembly and tighten **B**.

# Assembly

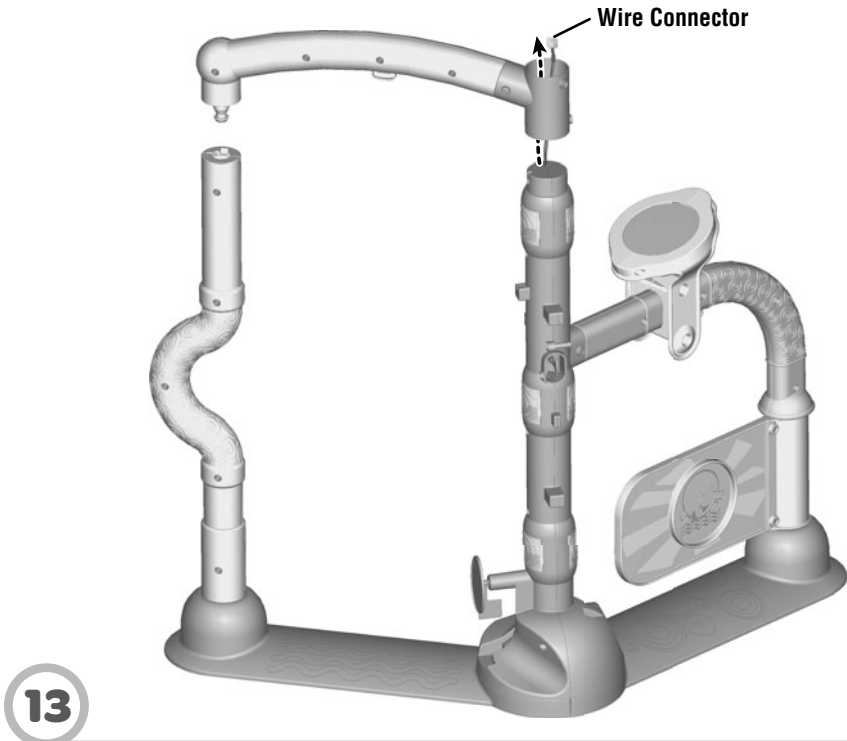


- 11
- Fit the arch post into the remaining socket in the base assembly **A**.
  - Turn the arch post **B** and then push down **C** to “snap” it in place. Pull up on the arch post to be sure it is secure.

## Assembly

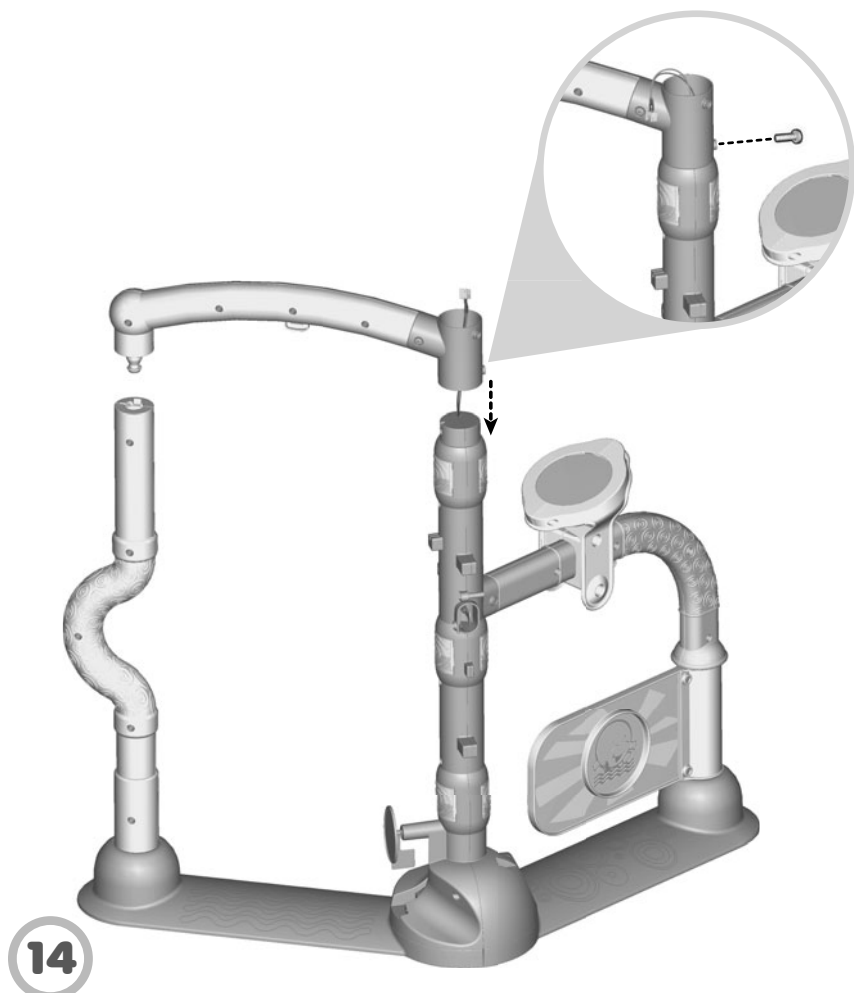


- Fit the arch connector onto the arch.  
*Hint: The arch connector is designed to fit the arch one way. If it does not seem to fit, turn it around and try again.*
- Insert a screw into the arch connector and tighten.



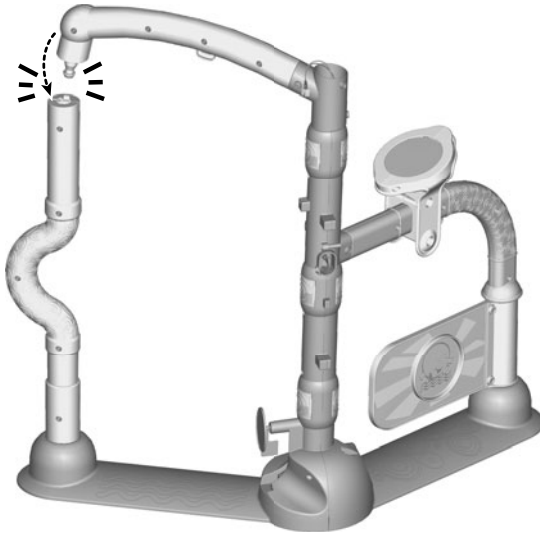
- Pull the wire connector on the center post **up through the arch assembly.**

## Assembly



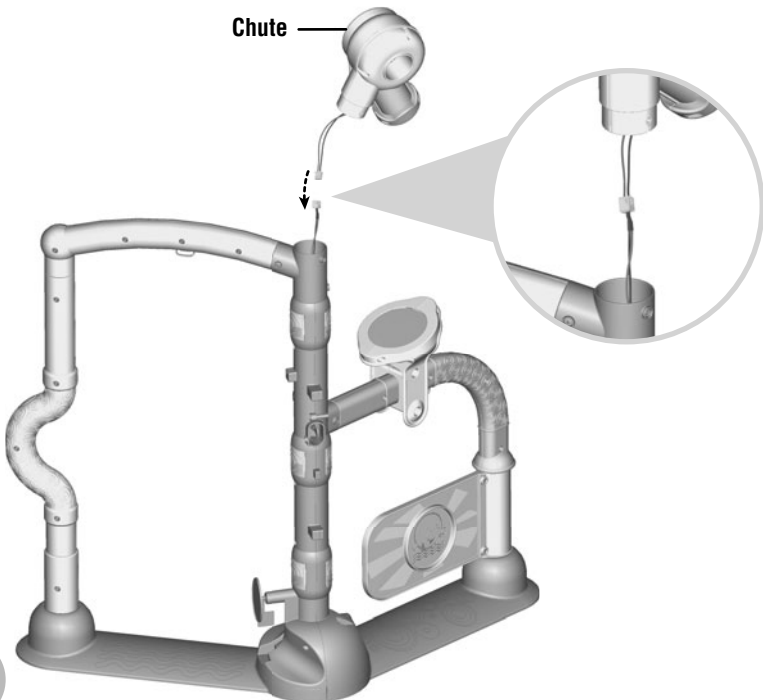
- Fit the arch assembly onto the center post.
- Insert a screw into the arch connector and tighten.

## Assembly



15

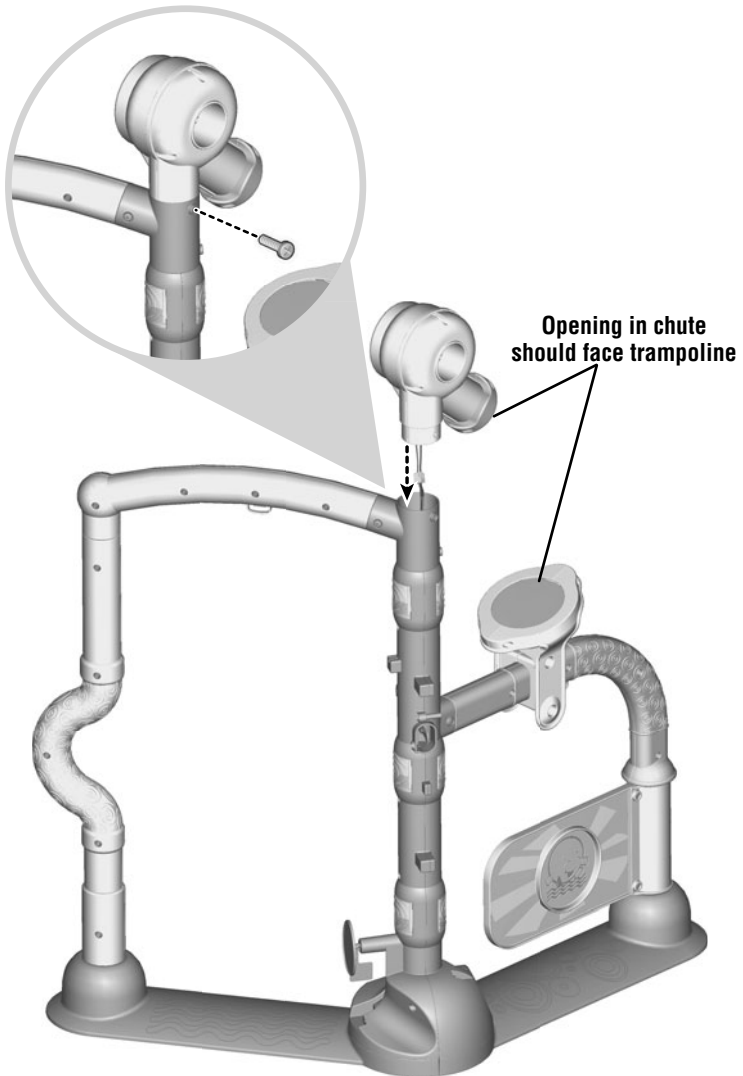
- “Snap” the free end of the arch into the arch post. Pull up on the arch assembly to be sure it is secure.



16

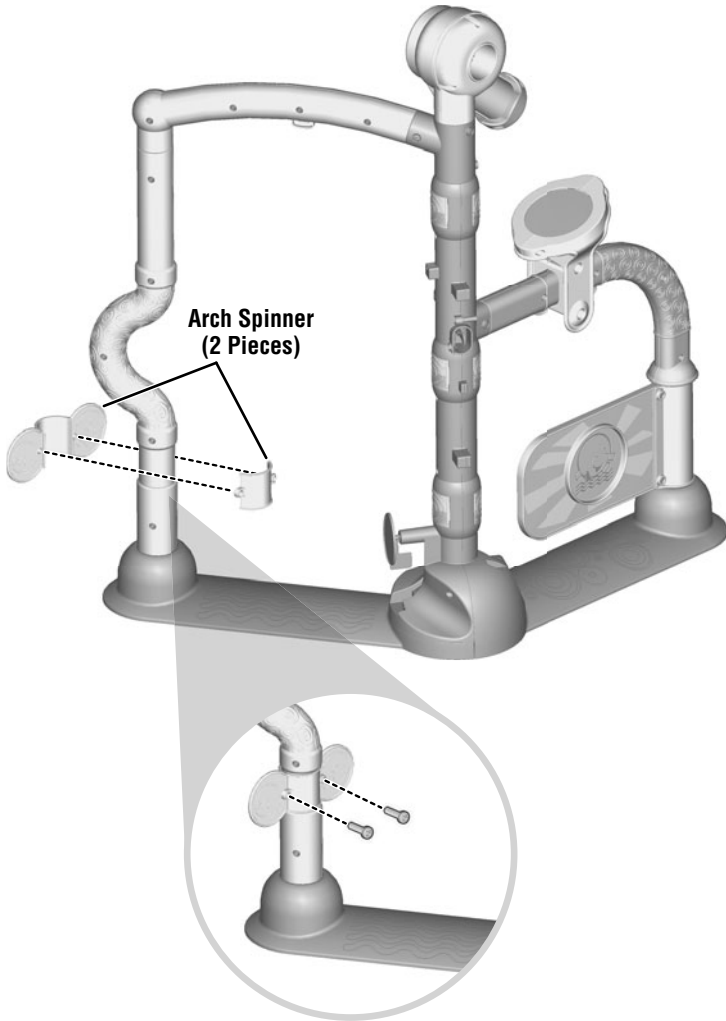
- Fit the wire connector on the chute into the wire connector in the arch assembly.

## Assembly



- **With the opening in the chute facing the trampoline**, fit the post on the chute into the arch assembly.
- Insert a screw into the arch assembly and tighten.

# Assembly

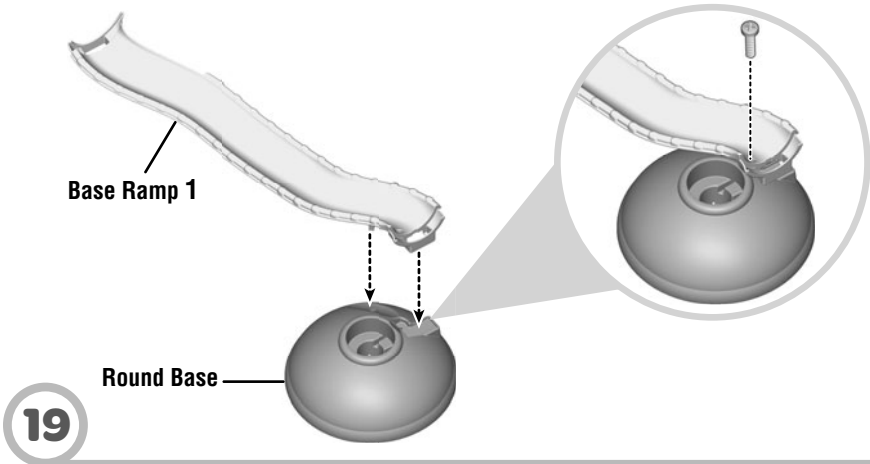


18

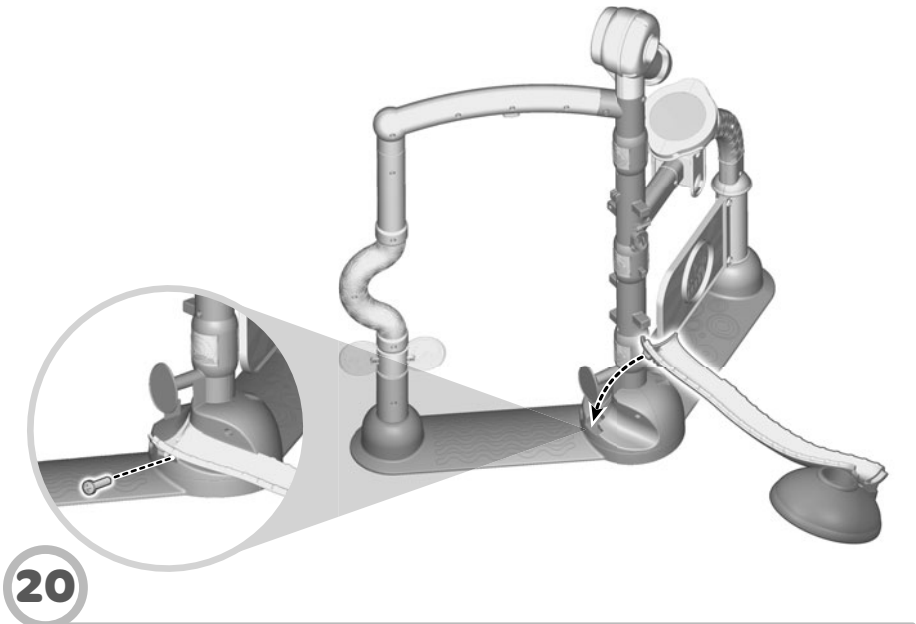
- Position the arch spinner so that the smiling faces are upright.
- Fit the arch spinner pieces to the grooved area on the arch post.
- Insert two screws into the arch spinner and tighten.

# Assembly

**Hint:** For your convenience, each ramp is labeled with a number, **1-10**. Match the number on the ramp to the number on the part it is assembled!



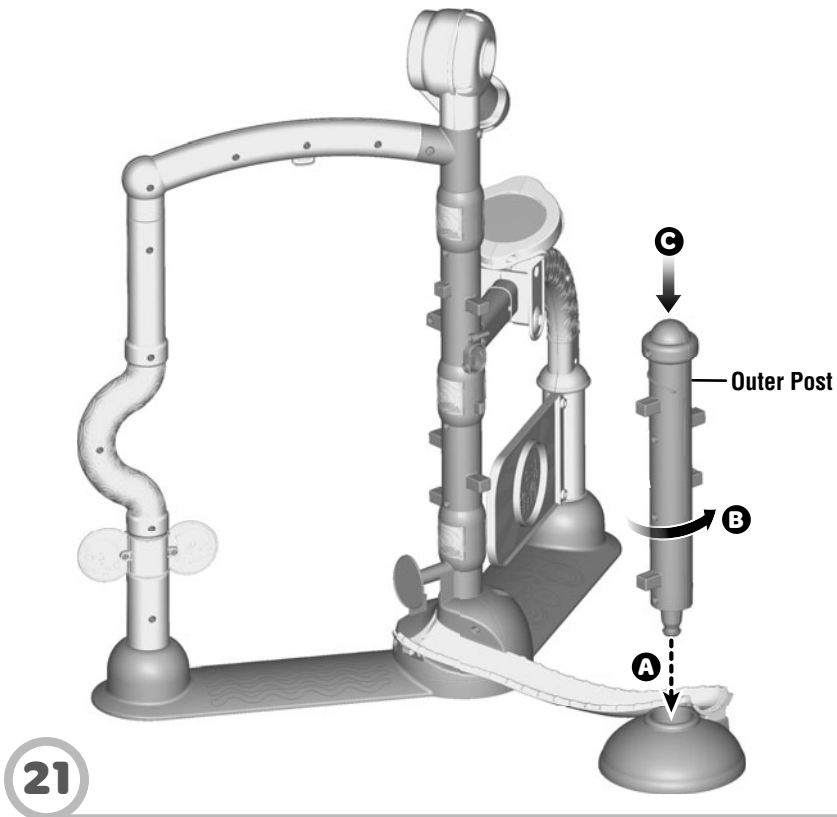
- Fit the flat end of base ramp **1** onto the round base.
- Insert a screw into base ramp **1** and tighten.



- Fit the tab on the end of base ramp **1** into the slot in the center post.
- Insert a screw into the hole under base ramp **1** and tighten.

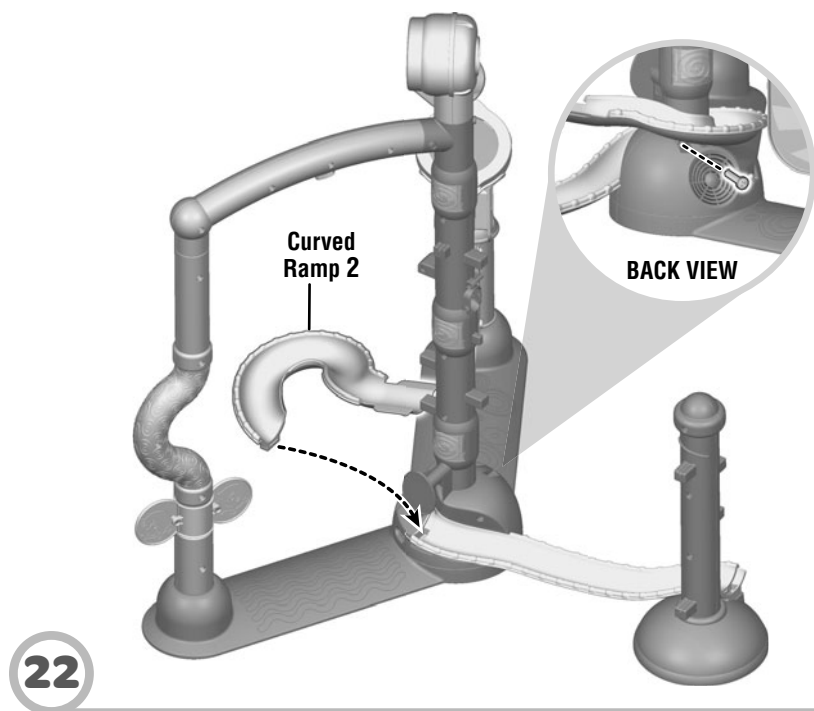


## Assembly



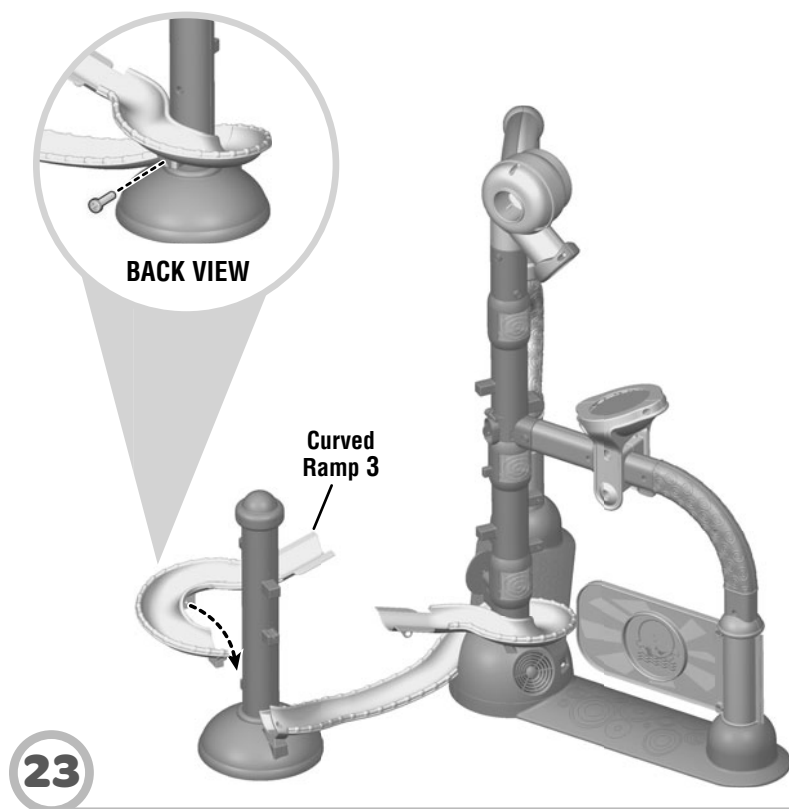
- Fit the outer post into the round base **A**.
- Turn the outer post **B** and then push down **C** to “snap” it in place. Pull up on the outer post to be sure it is secure.

## Assembly



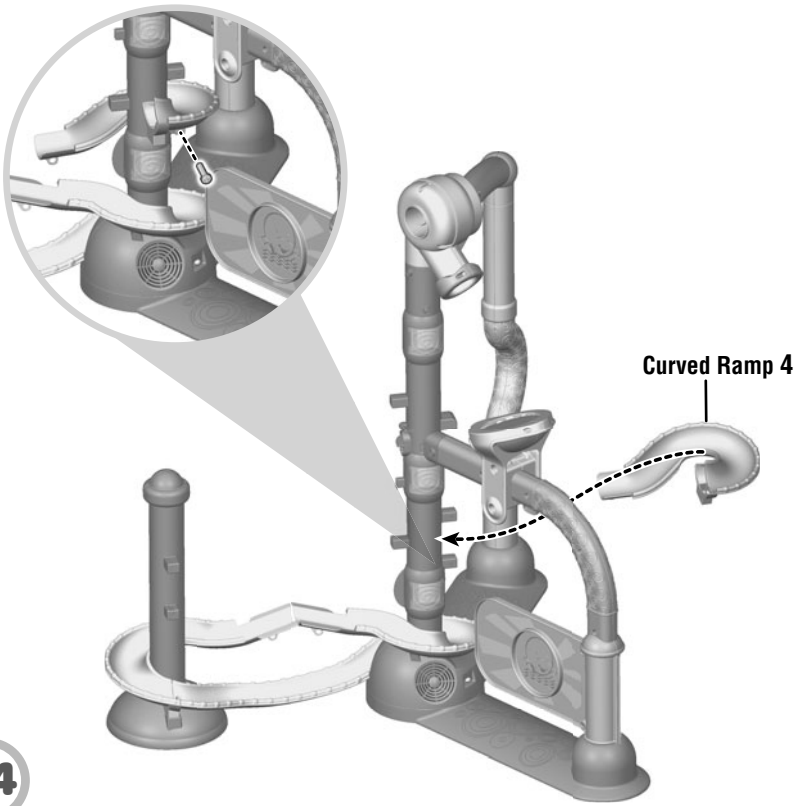
- Fit the tab on curved ramp 2 into the slot in the center post base.
- Insert a screw into the hole under curved ramp 2 and tighten.

## Assembly



- Fit the tab on the bottom of curved ramp **3** onto the tab on the outer post labeled **3**.
- Press the ends of the ramps together.
- Insert a screw into the hole under curved ramp **3** and tighten.

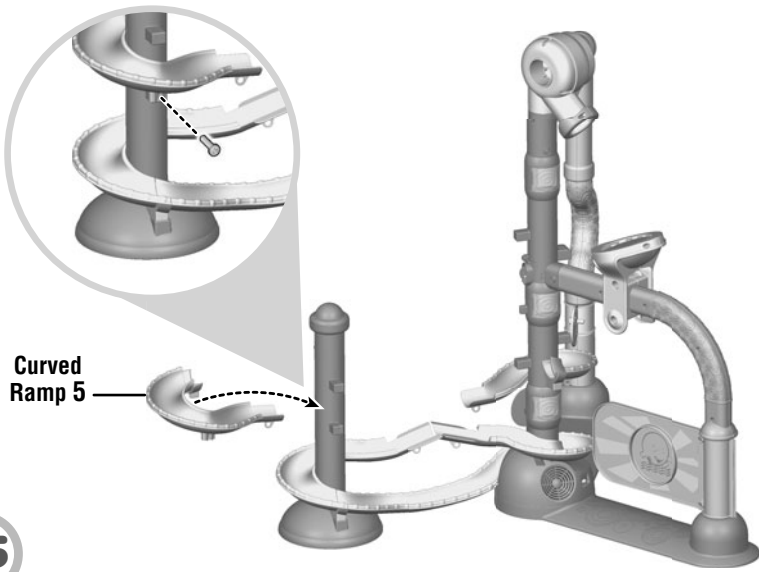
## Assembly



**24**

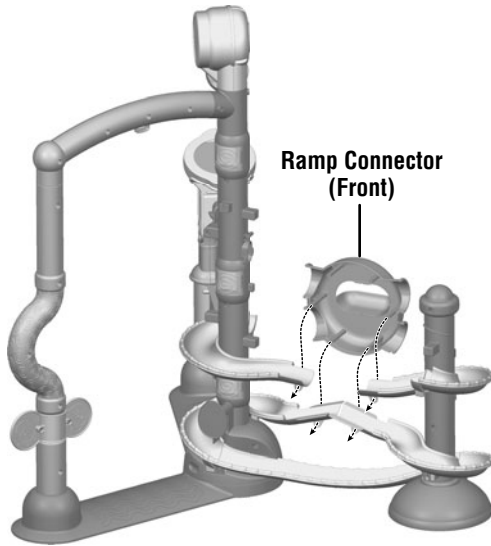
- Fit curved ramp **4** onto the tab labeled **4** on the center post.
- Insert a screw into the hole under curved ramp **4** and tighten.

# Assembly



25

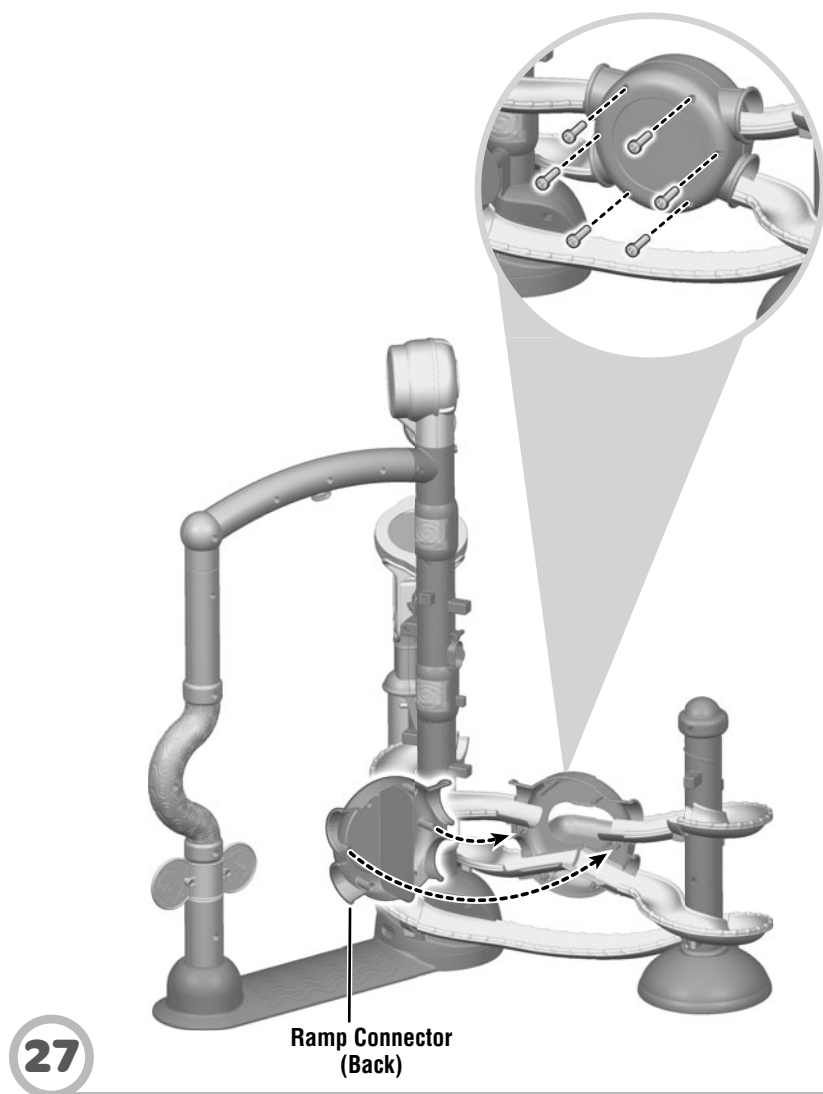
- Fit curved ramp **5** onto the tab labeled **5** on the outer post.
- Insert a screw into the hole under curved ramp **5** and tighten.



26

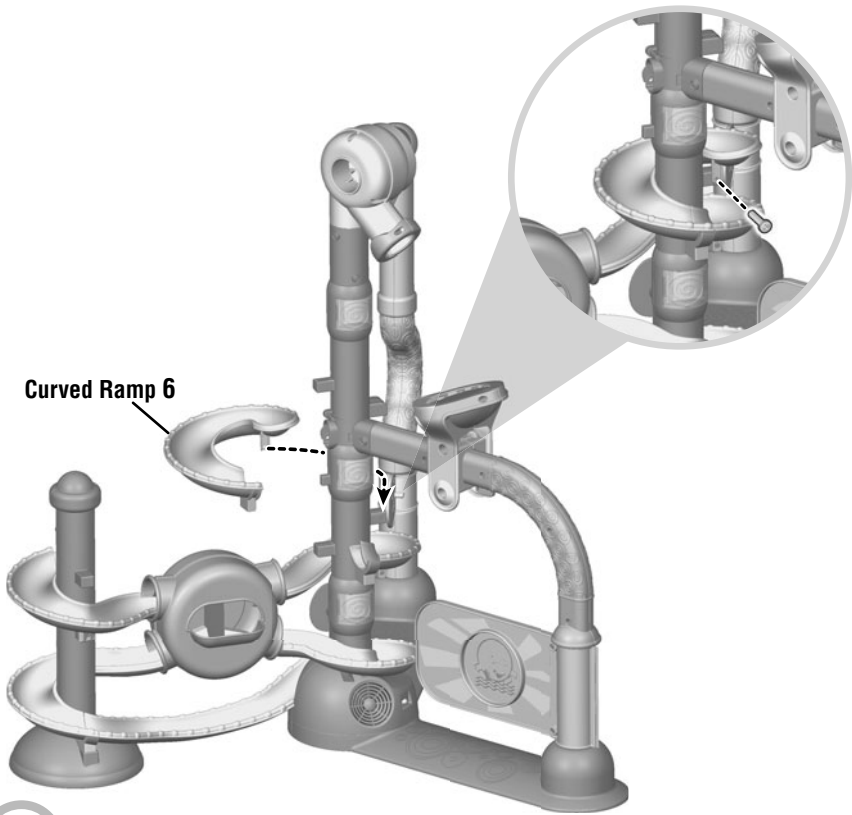
- With the opening of the front half of the ramp connector upright, fit the pegs through holes in the ramps.

## Assembly



- Fit the back half of the ramp connector to the front half of the ramp connector.
- Insert six screws into the back half of the ramp connector and tighten.

## Assembly

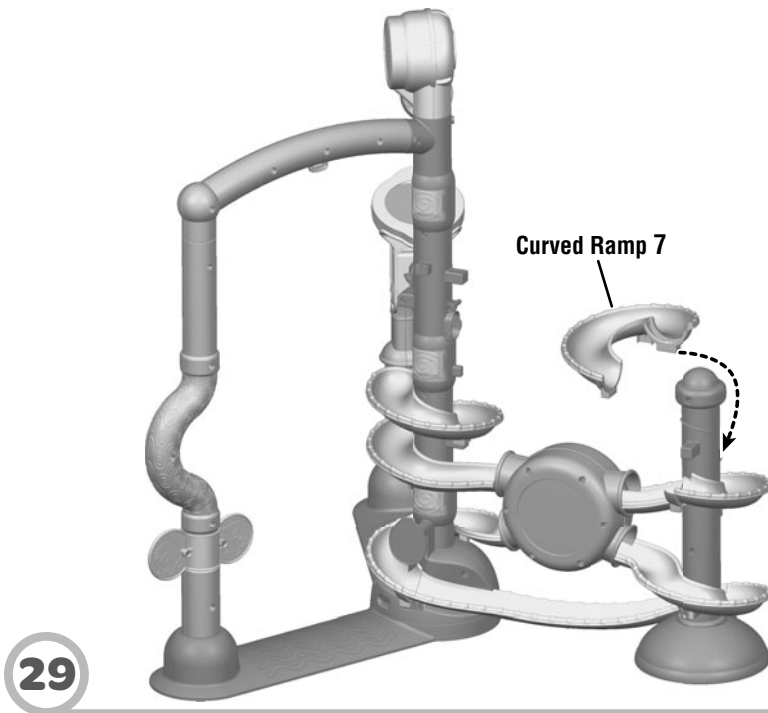


Curved Ramp 6

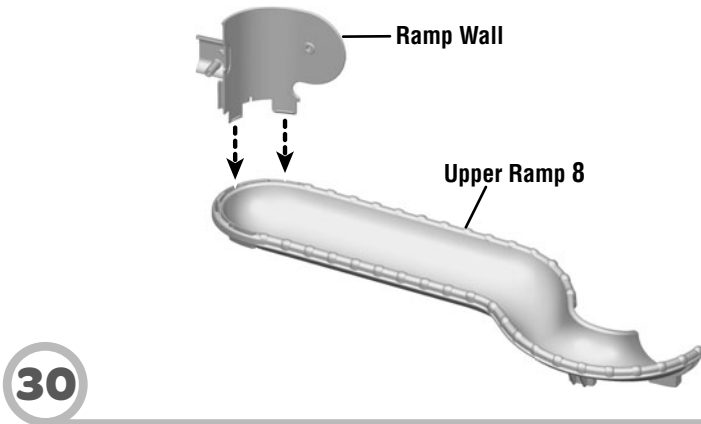
28

- Fit the tab on the bottom of curved ramp **6** onto the tab labeled **6** on the center post.
- Press the ends of the ramps together.
- Insert a screw into the center post tab near the upper part of curved ramp **6** and tighten.

## Assembly



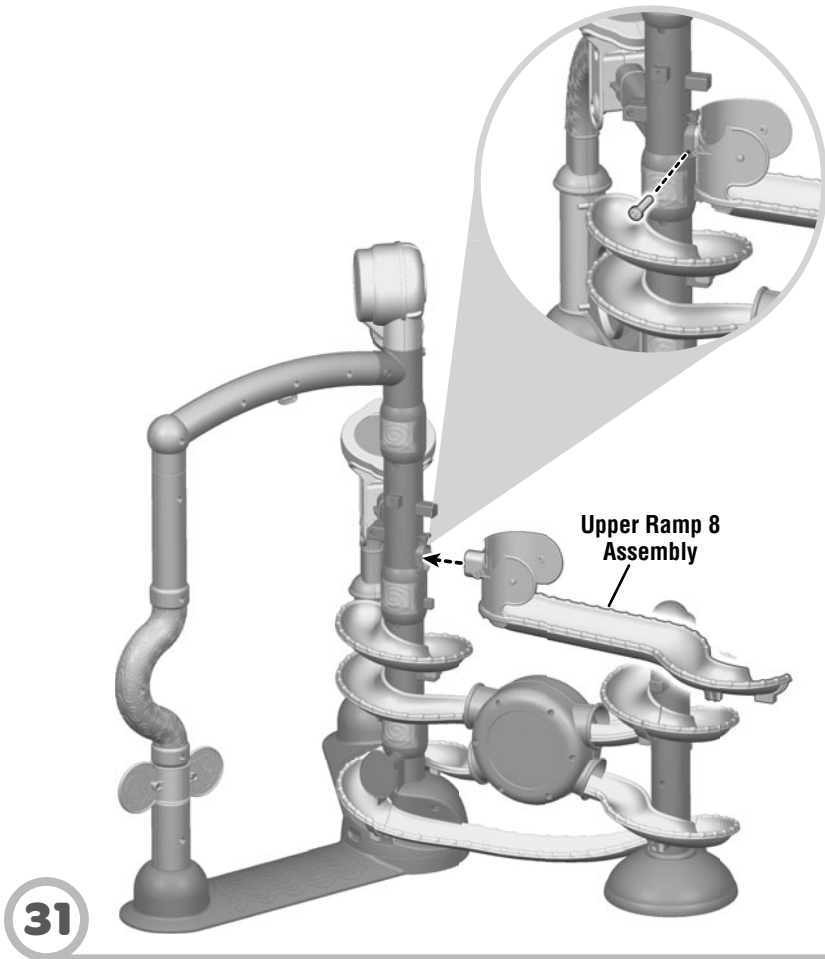
- Fit the tab on the bottom of curved ramp 7 onto the tab labeled 7 on the outer post.
- Press the ends of the ramps together.



- Fit the tabs on a ramp wall into the slots in the end of upper ramp 8. Push to “snap” in place.
- Repeat this procedure to assemble the other ramp wall to upper ramp 8.

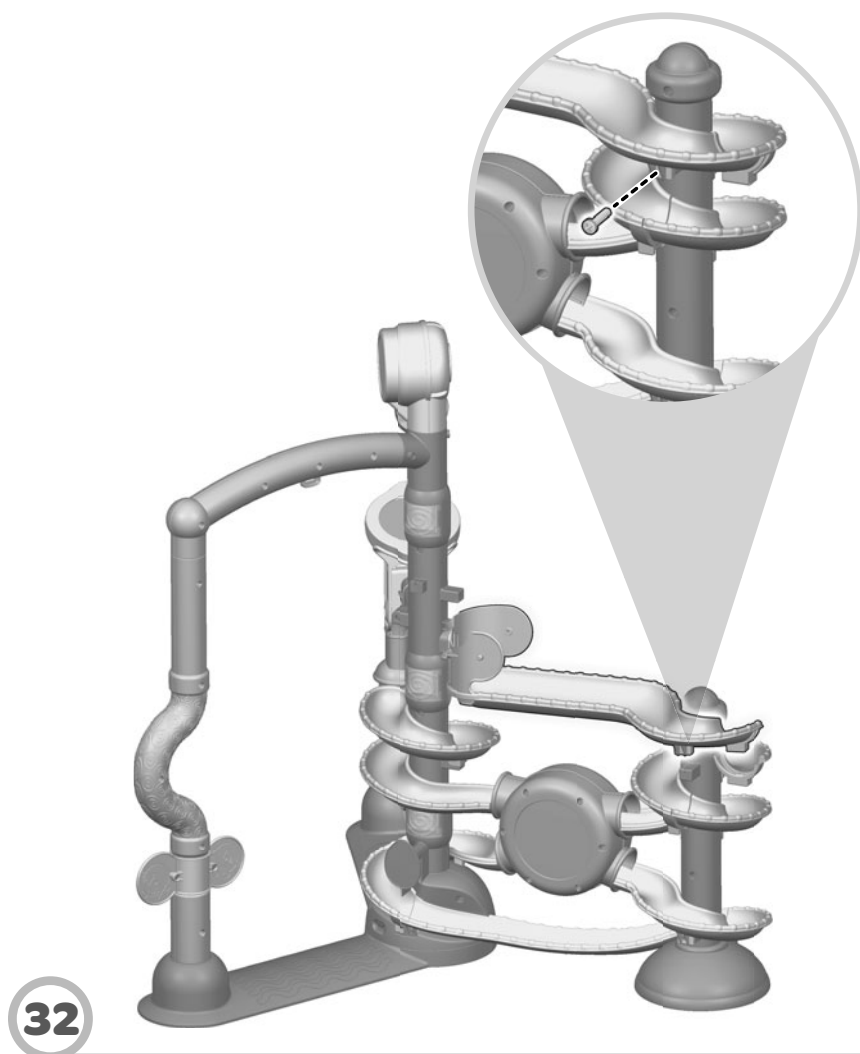


## Assembly



- Fit the tab on the upper ramp **8** assembly into the opening in the center post.
- Insert a screw into the center post and tighten.

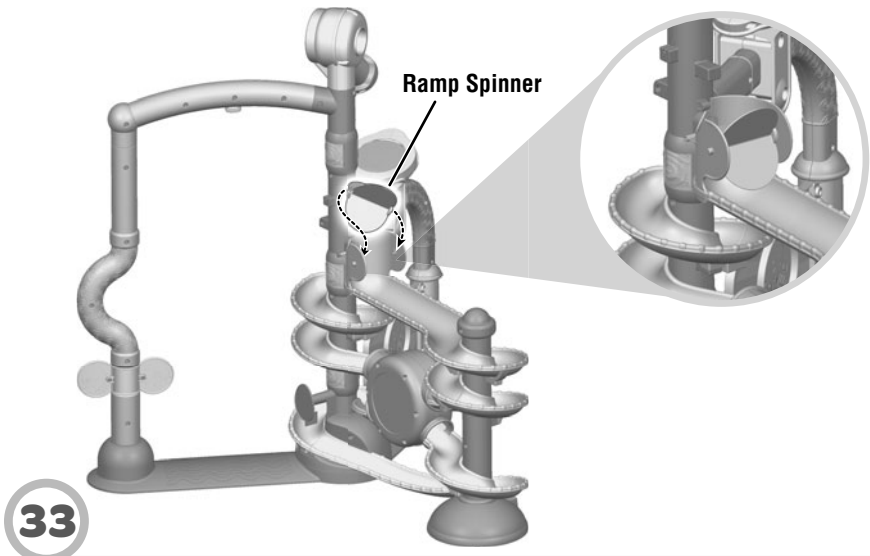
## Assembly



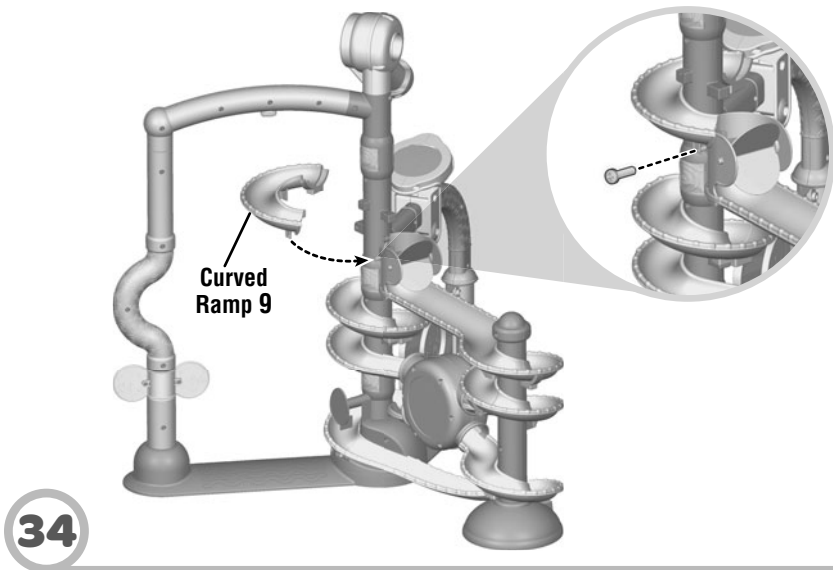
32

- Fit the tab on the free end of upper ramp labeled **8** into the slot in ramp **7** on the outer post.
- Insert a screw into the hole under upper ramp **8** and tighten.

## Assembly

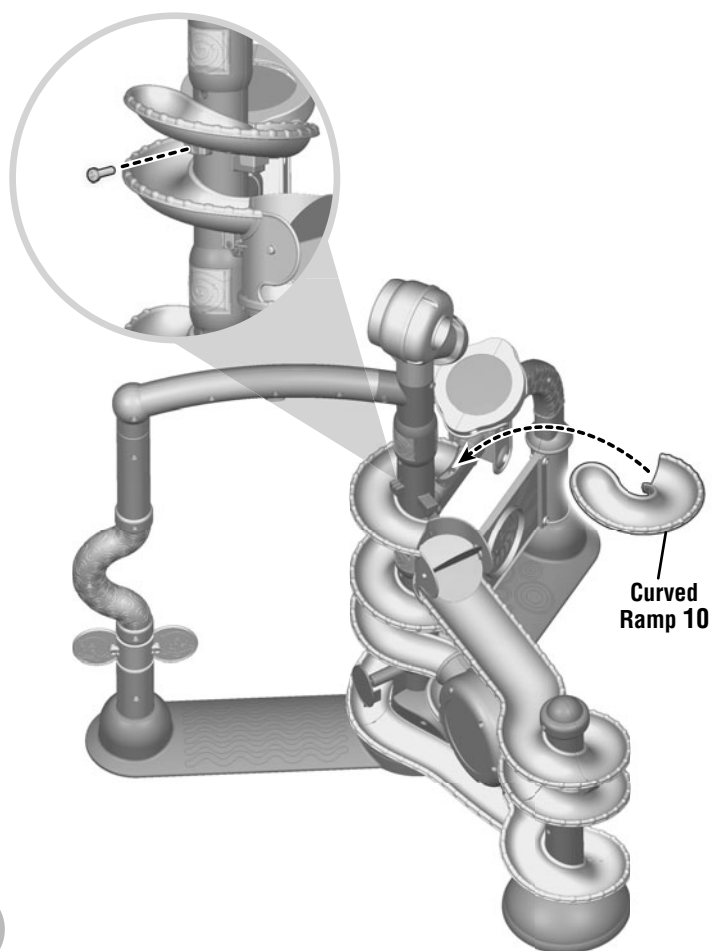


- At an angle, fit the peg on one side of the ramp spinner into the hole in one side of the ramp wall.
- Push to **“snap”** the other peg into place.



- Fit curved ramp 9 onto the tab on the center post labeled 9.
- Insert a screw into the hole under curved ramp 9 and tighten.

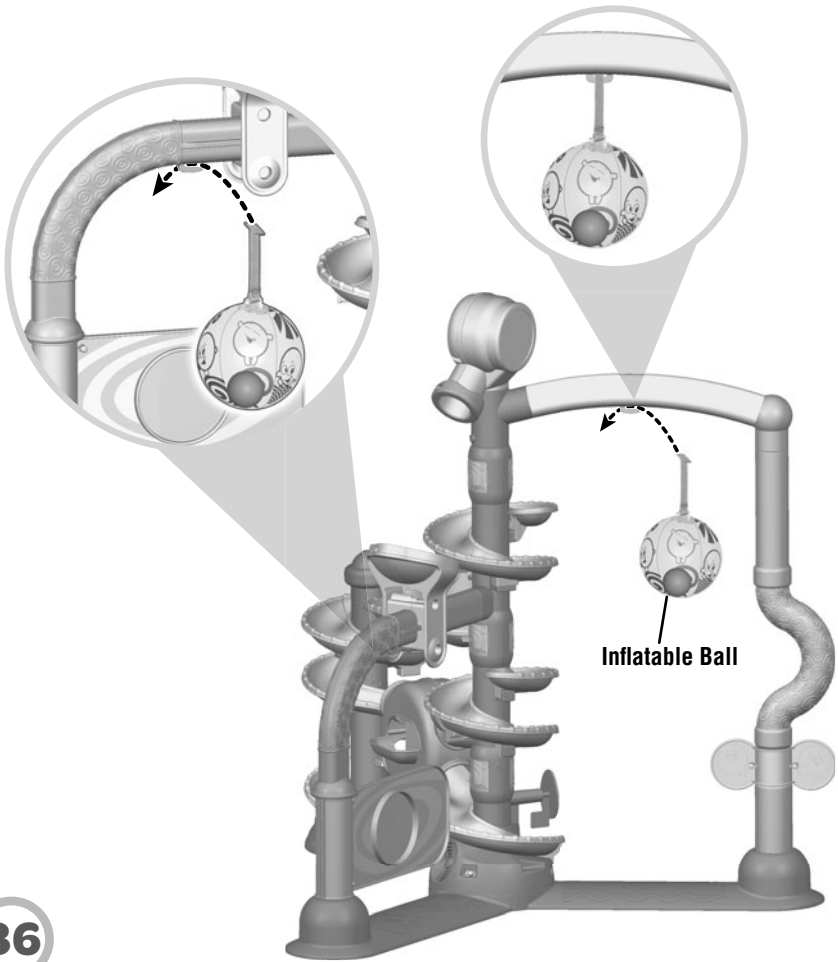
## Assembly



35

- Fit the tab on curved ramp **10** into the slot on curved ramp **9**.
- Insert a screw into the hole under curved ramp **10** and tighten.

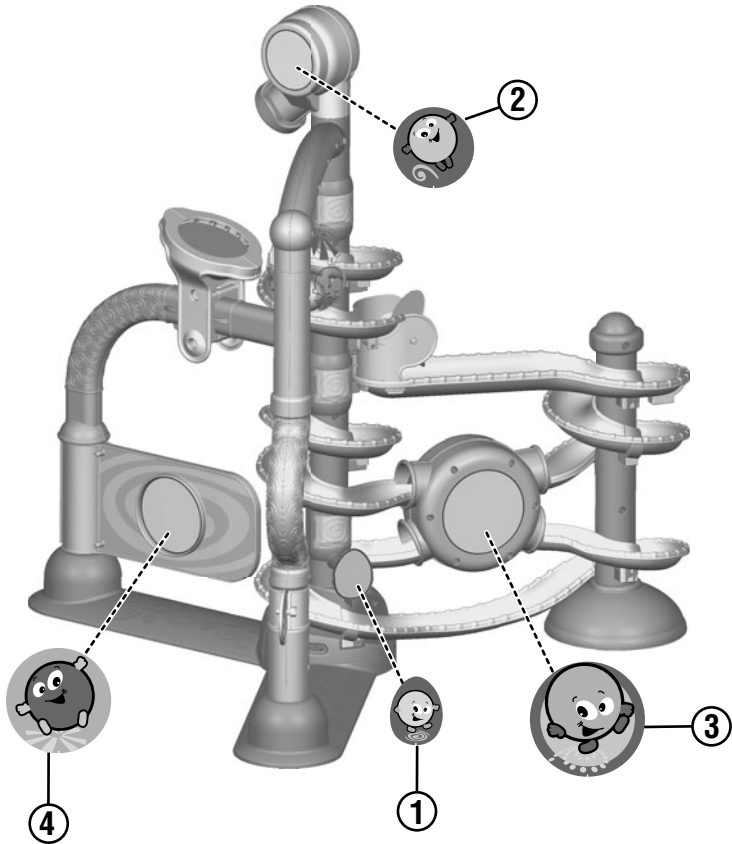
## Assembly



**36**

- Open the valve on the ball. While squeezing the valve, inflate the ball. Close the valve.
- Insert the T-strap on the inflatable ball through the slot in the upper arch or the gate frame.
- Pull on the ball to be sure it is secure.

## Decoration



- 
- Place the labels exactly as shown in the illustrations.
  - Align the notch in the label to the ridge on the toy.
  - For best results, avoid repositioning a label once it has been applied.


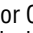

## All-Around Action!

Drop a ball in the chute and watch it bounce off the trampoline and down the ramps for more sounds and lights!

This toy times out after approximately 5 minutes of inactivity. Bat the spinner or drop a ball in the chute to “wake up”.

Slide the trampoline to find the position that works best to bounce the ball into the ramp.



Slide the **power/volume switch** to ON with low volume  or ON with high volume . When finished playing, slide it to OFF .



Listen to fun sounds and watch dancing lights when baby crawls through the arch!



**CONSUMER ASSISTANCE**  
1-800-432-5437 (US & Canada)  
1300 135 312 (Australia)

**service.fisher-price.com**

Fisher-Price, Inc., 636 Girard Avenue, East Aurora, NY 14052.  
Hearing-impaired consumers: 1-800-382-7470.

**Outside the United States:**

Canada: Mattel Canada Inc., 6155 Freemont Blvd.,  
Mississauga, Ontario L5R 3W2; [www.service.mattel.com](http://www.service.mattel.com).

Great Britain: Mattel UK Ltd, Vanwall Business Park,  
Maidenhead SL6 4UB. Helpline: 01628 500303.  
[www.service.mattel.com/uk](http://www.service.mattel.com/uk)

Mattel Europa B.V., Gondel 1, 1186MJ Amstelveen, Nederland.

Australia: Mattel Australia Pty. Ltd., 658 Church Street,  
Locked Bag #870, Richmond, Victoria 3121 Australia.

New Zealand: 16-18 William Pickering Drive,  
Albany 1331, Auckland.

### ICES-003

This Class B digital apparatus complies with Canadian ICES-003. Operation is subject to the following two conditions: (1) this device may not cause harmful interference and (2) this device must accept any interference received, including interference that may cause undesired operation.

### NMB-003

Cet appareil numérique de la classe B est conforme à la norme NMB-003 du Canada. L'utilisation de ce dispositif est autorisée seulement aux conditions suivantes : (1) il ne doit pas produire de brouillage et (2) l'utilisateur du dispositif doit être prêt à accepter tout brouillage radioélectrique reçu, même si ce brouillage est susceptible de compromettre le fonctionnement du dispositif.

### FCC Statement (United States Only)

This equipment has been tested and found to comply with the limits for a Class B digital device, pursuant to Part 15 of the FCC Rules. These limits are designed to provide reasonable protection against harmful interference in a residential installation. This equipment generates, uses and can radiate radio frequency energy and, if not installed and used in accordance with the instructions, may cause harmful interference to radio communications. However, there is no guarantee that interference will not occur in a particular installation. If this equipment does cause harmful interference to radio or television reception, which can be determined by turning the equipment off and on, the user is encouraged to try to correct the interference by one or more of the following measures:

- Reorient or relocate the receiving antenna.
- Increase the separation between the equipment and receiver.
- Consult the dealer or an experienced radio/TV technician for help.

Note: Changes or modifications not expressly approved by the manufacturer responsible for compliance could void the user's authority to operate the equipment.

This device complies with Part 15 of the FCC Rules. Operation is subject to the following two conditions: (1) this device may not cause harmful interference and (2) this device must accept any interference received, including interference that may cause undesired operation.