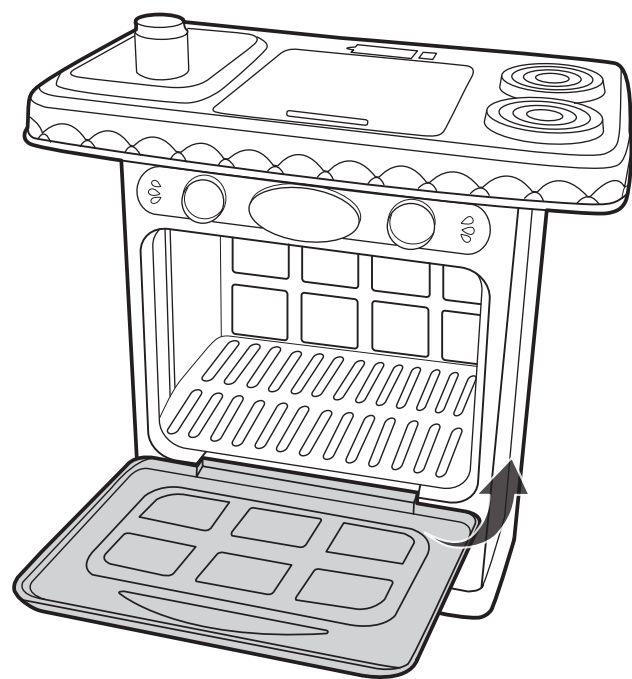
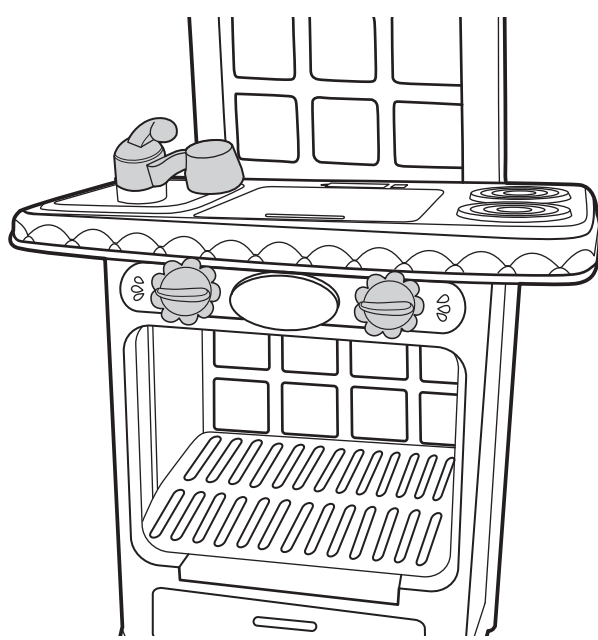


## ASSEMBLY

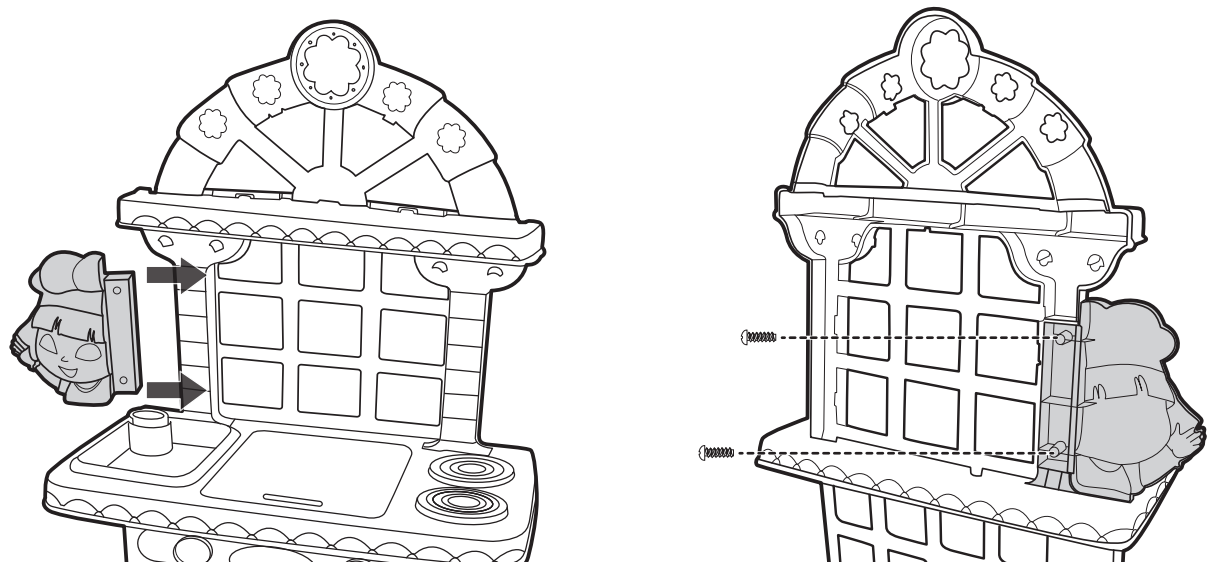
- 6** Attach the OVEN DOOR to the front of the stove by snapping it together at the 2 hinges.



- 7** Insert the 2 OVEN KNOBS and the FAUCET, snapping them into place.

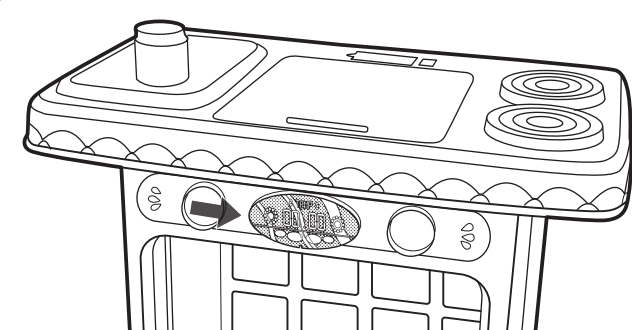


- 8** Attach DORA'S HEAD CUTOUT to the BACK WALL, securing it into place with 2 SHORT SCREWS.



- 9** Insert the CARDBOARD INSERTS into the OVEN DOOR, BACK WALL, and ARCHWAY.

- 10** Apply the TEMPERATURE LABEL to the front of the kitchen, as shown.

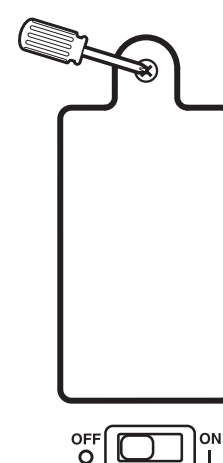


### BATTERY INSTALLATION:

Unscrew and lift away cover from the back section of the counter. Install batteries as indicated inside the battery compartment. For longer life use only alkaline batteries. If this toy begins to operate erratically, you may need to reset the electronics. Remove the batteries from the toy and replace them. Requires 2 "AAA" (LR03) batteries.

1.5V x 2  
AAA (LR03) 1

REQUIRED TOOL:  
PHILLIPS SCREWDRIVER  
(NOT INCLUDED).



### BATTERY SAFETY INFORMATION

- In exceptional circumstances batteries may leak fluids that can cause a chemical burn injury or ruin your product. To avoid battery leakage:
- Non-rechargeable batteries are not to be recharged.
  - Rechargeable batteries are to be removed from the product before being charged.
  - Rechargeable batteries are only to be charged under adult supervision.
  - Do not mix alkaline, standard (carbon-zinc), or rechargeable (nickel-cadmium) batteries.
  - Do not mix old and new batteries.
  - Only batteries of the same or equivalent type as recommended are to be used.
  - Batteries are to be inserted with the correct polarity.
  - Exhausted batteries are to be removed from the product.
  - The supply terminals are not to be short-circuited.
  - Dispose of batteries safely.
  - Do not dispose of this product in a fire. The batteries inside may explode or leak.

This equipment has been tested and found to comply with the limits for a Class B digital device, pursuant to part 15 of the FCC rules. These limits are designed to provide reasonable protection against harmful interference in a residential installation. This equipment generates, uses and can radiate radio frequency energy and, if not installed and used in accordance with the instructions, may cause harmful interference to radio communications. However, there is no guarantee that interference will not occur in a particular installation. If this equipment does cause harmful interference to radio or television reception, which can be determined by turning the equipment off and on, the user is encouraged to try to correct the interference by one or more of the following measures: Reorient or relocate the receiving antenna. Increase the separation between the equipment and receiver. Connect the equipment into an outlet on a circuit different from that to which the receiver is connected. Consult the dealer or an experienced radio/TV technician for help. NOTE: Changes or modifications not expressly approved by the manufacturer responsible for compliance could void the user's authority to operate the equipment.

This device complies with part 15 of the FCC Rules. Operation is subject to the following two conditions:

- (1) This device may not cause harmful interference, and  
(2) this device must accept any interference received, including interference that may cause undesired operation.

• THIS CLASS B DIGITAL APPARATUS COMPLIES WITH CANADIAN ICES-003.

• CET APPAREIL NUMERIQUE DE LA CLASSE B EST CONFORME A LA NORME NMB-003 DU CANADA.

- Operation is subject to the following two conditions: (1) this device may not cause interference, and (2) this device must accept any interference, including interference that may cause undesired operation of the device.

• Utilisation de ce produit est sujette aux conditions suivantes: (1) il ne doit pas produire de brouillage et (2) il doit pouvoir tolérer tout brouillage reçu, même si ce brouillage est susceptible de compromettre son fonctionnement.

### CONSUMER ASSISTANCE

1-800-432-5437 (US & Canada)  
1300 138 312 (Australia)

service.fisher-price.com

Fisher-Price, Inc., 636 Girard Avenue, East Aurora, NY 14052.  
Hearing-impaired consumers: 1-800-382-7470.

#### Outside the United States:

Canada: Mattel Canada Inc., 6155 Freemont Blvd., Mississauga, Ontario L5R 3W2; www.service.mattel.com.

Great Britain: Mattel UK Ltd, Verulam Business Park, Maidenhead SL6 4UB. Helpline: 01628 500303.  
www.service.mattel.com/uk

Mattel Europa B.V., Gondel 1, 1186 MJ Amstelveen, Nederland.

Australia: Mattel Australia Pty. Ltd., 658 Church Street, Lisidale Bag #870, Richmond, Victoria 3121 Australia.

New Zealand: 15-18 William Pickering Drive, Albany 1331, Auckland.

© 2013 Viacom International Inc.  
All Rights Reserved. Nickelodeon, Nick Jr., Dora the Explorer and all related titles, logos and characters are trademarks of Viacom International Inc.

© 2013 Mattel. All Rights Reserved.  
\* and ™ designate U.S. trademarks of Mattel, except as noted. PRINTED IN CHINA.  
Mattel East Asia Ltd., Room 503-09, North Tower, World Finance Centre, Harbour City, Tsimshatsui, HK, China.

Y6020

ID. Y6020-0920

Protect the environment by not disposing of this product with household waste (2002/96/EC). Check your local authority for recycling advice and facilities.

FisherPrice

nickelodeon™  
**DORA**  
the  
**EXPLORER™**

# Sizzling Surprises Kitchen

Keep these instructions for future reference as they contain important information.

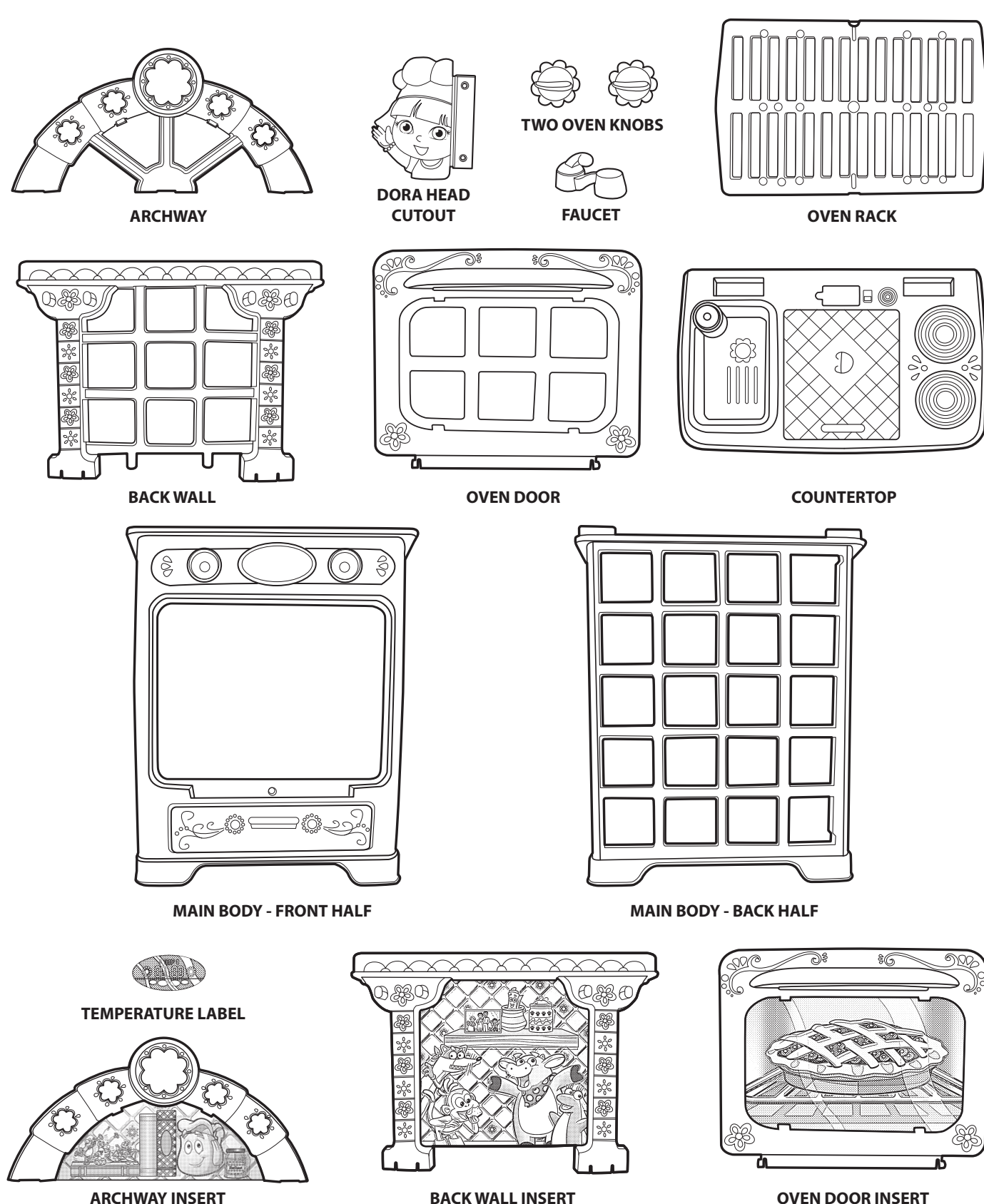


⚠ CAUTION: THIS PACKAGE CONTAINS SMALL PARTS. FOR ADULT ASSEMBLY ONLY.

**ADULT ASSEMBLY REQUIRED.**  
REQUIRED TOOL: PHILLIPS SCREWDRIVER (NOT INCLUDED).

Before use, thoroughly wash all parts that may contact food.

## PARTS

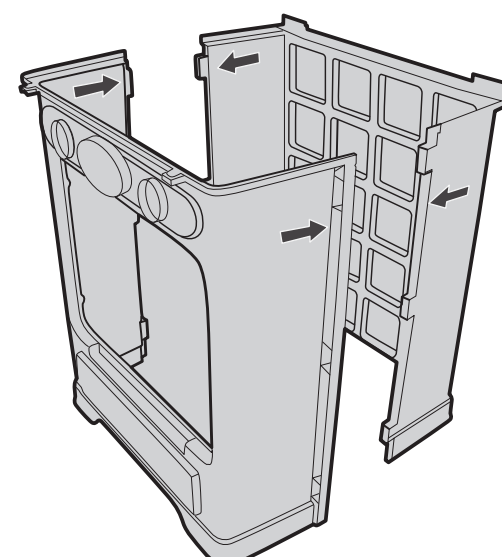


• 1 LABEL  
• 2 LARGE SCREWS  
• 6 SMALL SCREWS  
• 3 CARDBOARD INSERTS

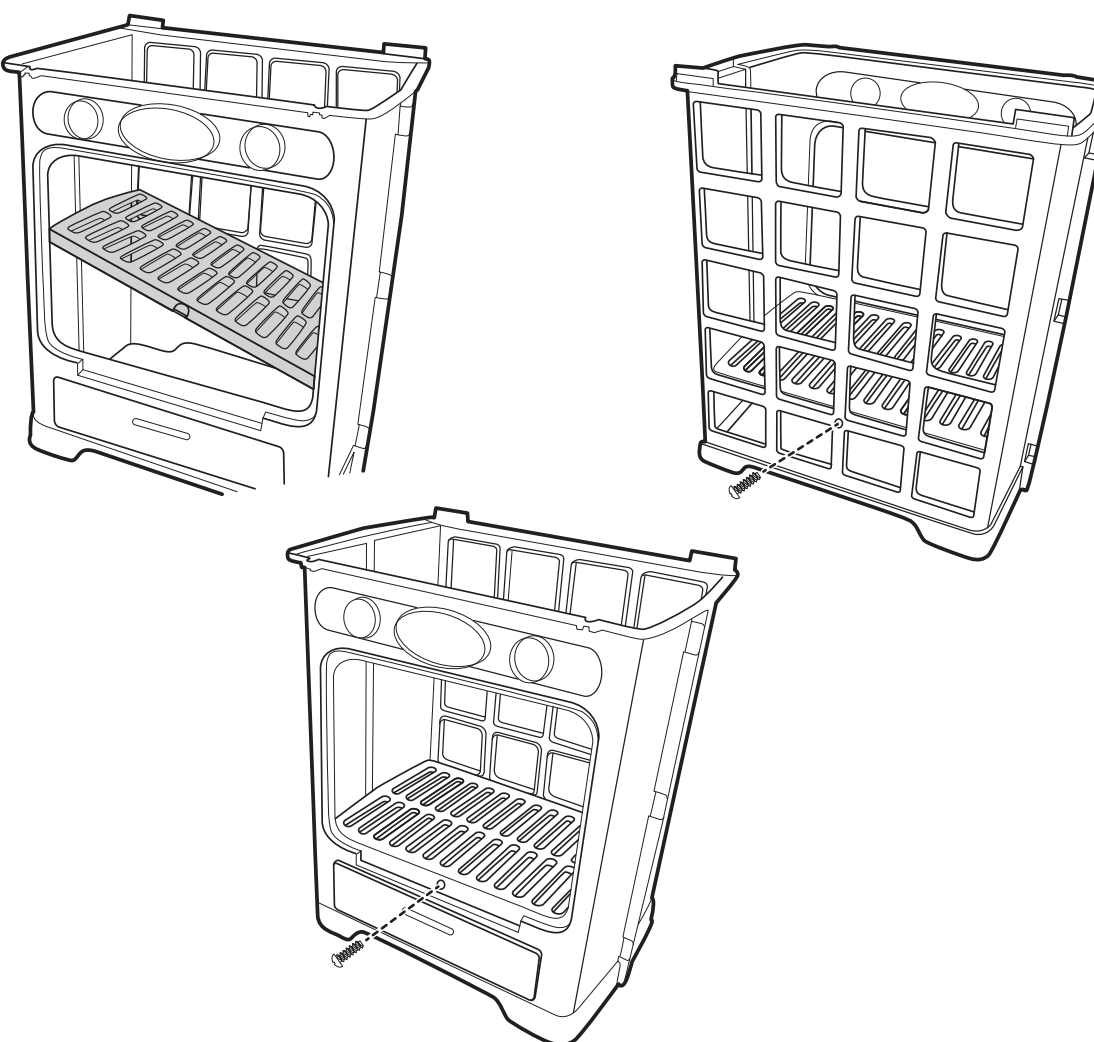
## ASSEMBLY

NOTE: All of the following snap-assemblies are "one-time snaps". Once they are put together, they cannot be taken apart.

- 1** Assemble the two halves of the MAIN BODY of the kitchen, snapping them together in 3 locations on each side.

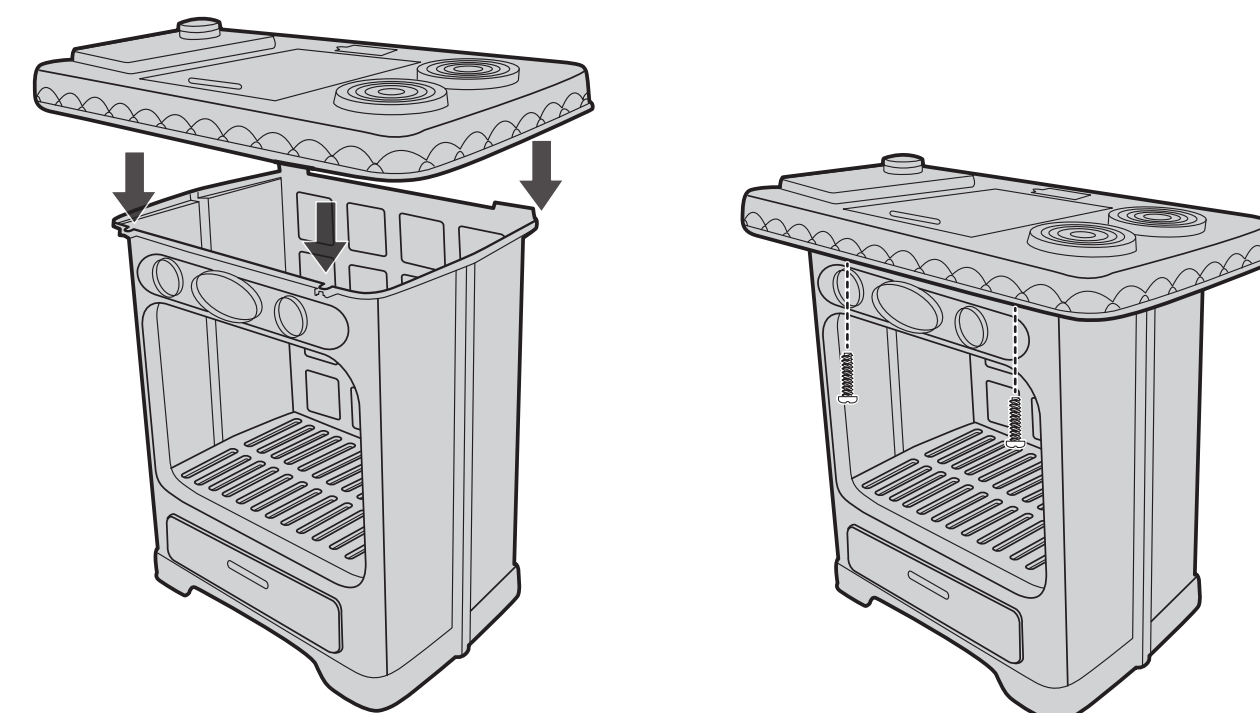


- 2** Insert the OVEN RACK from the top of the stove, securing it into place with one SMALL SCREW in the front and one SMALL SCREW in the back.

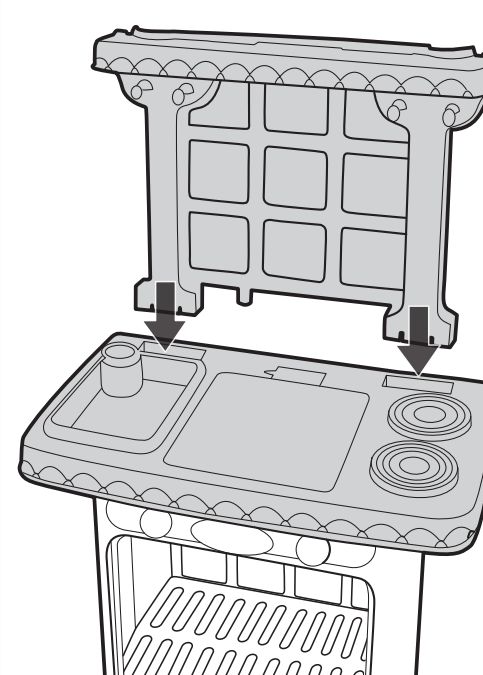


## ASSEMBLY

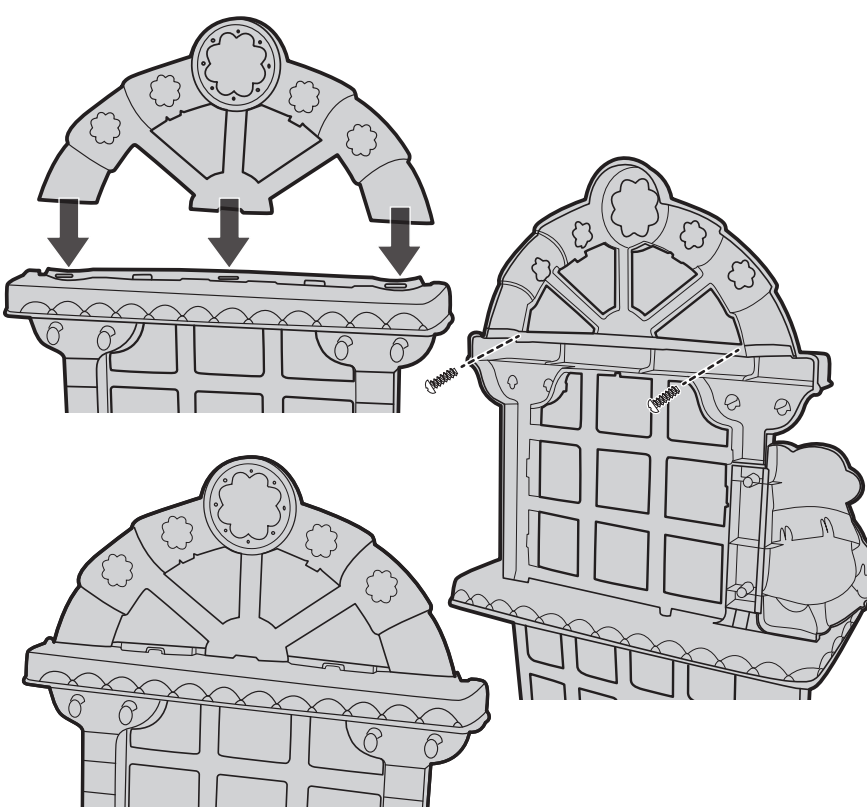
- 3** Assemble the COUNTERTOP to the MAIN BODY, securing it into place with 2 LARGE SCREWS in the front and 2 snaps in the back.



- 4** Insert the BACK WALL into the COUNTERTOP, snapping it into place on both sides.



- 5** Attach the ARCHWAY to the BACK WALL, snapping it into place in 3 locations and securing with 2 SMALL SCREWS.



Item No: Y6020-0920  
Version: US English  
Size: 24.8" x 11.69"  
Paper: 100% Recycled Paper, 70 gm  
Color: Black  
Date: April 12, 2013 (Sara)

Instruction page sequence:

Side 1	P.5	P.6	COVER
--------	-----	-----	-------

Side 2	P.2	P.3	P.4
--------	-----	-----	-----