



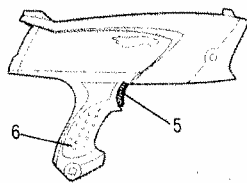
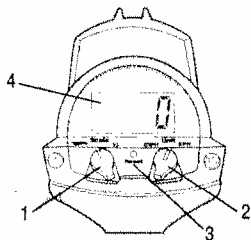
INSTRUCTIONS

7+

Please keep these instructions for future reference as they contain important information.

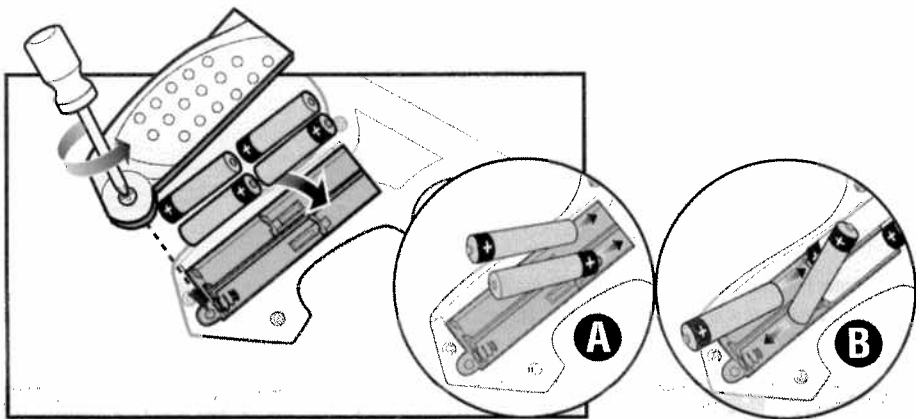
CONTENTS / FEATURES

1. SCALE SWITCH
2. UNIT SWITCH
3. RESET BUTTON
4. LCD
5. TRIGGER (Activates radar)
6. BATTERY COVER

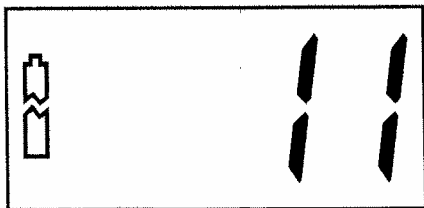


BATTERY INSTALLATION/REPLACEMENT

Unscrew the battery cover with a Phillips-head screwdriver (not included). Insert 4 "AAA" (LR03) alkaline batteries (not included) in the orientation shown. Replace the battery cover and tighten screw. For best performance, use only alkaline batteries.



When the batteries are low, the digital readout screen will flash a broken battery symbol, indicating it is time to change the batteries.



BATTERY SAFETY INFORMATION

In exceptional circumstances batteries may leak fluids that can cause a chemical burn injury or ruin your product. To avoid battery leakage:

- Non-rechargeable batteries are not to be recharged.
- Rechargeable batteries are to be removed from the product before being charged (if designed to be removable).
- Rechargeable batteries are only to be charged under adult supervision (if designed to be removable).
- Do not mix alkaline, standard (carbon-zinc), or rechargeable (nickel-cadmium) batteries.
- Do not mix old and new batteries.
- Only batteries of the same or equivalent type as recommended are to be used.
- Batteries are to be inserted with the correct polarity.
- Exhausted batteries are to be removed from the product.
- The supply terminals are not to be short-circuited.
- Dispose of battery(ies) safely.
- Do not dispose of this product in a fire. The batteries inside may explode or leak.

COMPLIANCE WITH FCC REGULATIONS (VALID IN U.S. ONLY)

This device complies with part 15 of the FCC Rules. Operation is subject to the following two conditions: (1) This device may not cause harmful interference, and (2) this device must accept any interference received, including interference that may cause undesired operation.

NOTE: This equipment has been tested and found to comply with the limits for a Class B digital device, pursuant to Part 15 of the FCC Rules. These limits are designed to provide reasonable protection against harmful interference in a residential installation. This equipment generates, uses and can radiate radio frequency energy and, if not installed and used in accordance with the instructions, may cause harmful interference to radio communications. However, there is no guarantee that interference will not occur in a particular installation. If this equipment does cause harmful interference to radio or television reception, which can be determined by turning the equipment off and on, the user is encouraged to try to correct the interference by one or more of the following measures:

- Reorient or relocate the receiving antenna.
- Increase the separation between the equipment and receiver.
- Consult the dealer or an experienced radio/TV technician for help.

NOTE: Changes or modifications not expressly approved by the manufacturer responsible for compliance could void the user's authority to operate the equipment.



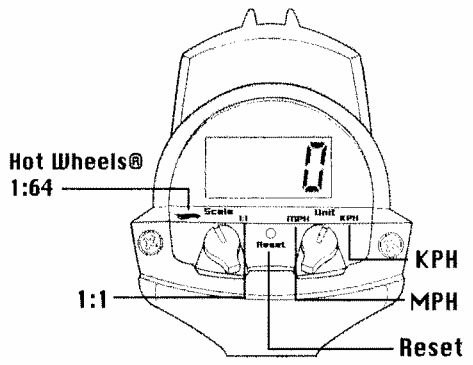
Protect the environment by not disposing of this product with household waste (2002/96/EC). Check your local authority for recycling advice and facilities.

© 2006 Mattel, Inc. All Rights Reserved. Mattel, Inc., 333 Continental Blvd., El Segundo, CA 90245 U.S.A. Consumer Relations 1-800-524-8697 service.mattel.com. Mattel U.K. Ltd., Varwall Business Park, Maidenhead SL6 4UB, Helpline 01628500303. Mattel Australia Pty., Ltd., Richmond, Victoria, 3121. Consumer Advisory Service - 1300 135 312. Mattel East Asia Ltd., Room 1106, South Tower, World Finance Centre, Harbour City, Tsimshatsui, HK, China. Diimport & Diedarkan Oleh: Mattel SEA Ptd Ltd. (993532-P) Lot 13.5, 13th Floor, Menara Lien Hoe, Persiaran Tropicana Golf Country Resort, 47410 P.J. Tel: 03-78803817, Fax: 03-78803867.

TO OPERATE:

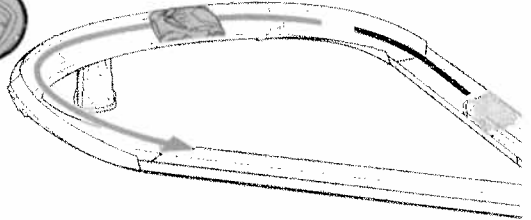
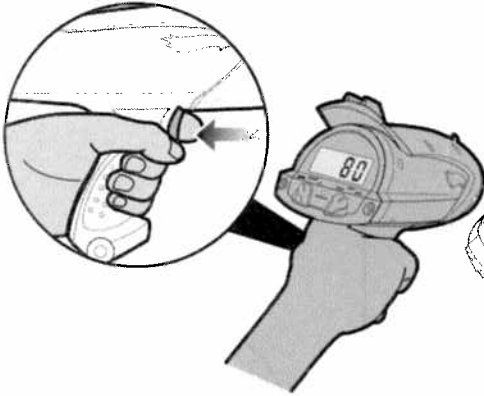
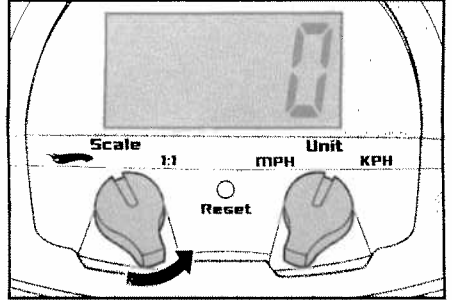
Your radar gun has a digital readout screen which will show instantaneous real speed or Hot Wheels® 1/64th scale speed of objects coming toward you or moving away.

What does Hot Wheels® scale speed mean? Hot Wheels® cars are 1/64th the size of a real car. So if a Hot Wheels® car goes 10 MPH / 16 KPH calculate:
 $10 \text{ MPH} \times 64 = 640 \text{ MPH}$ or
 $16 \text{ KPH} \times 64 = 1024 \text{ KPH}$

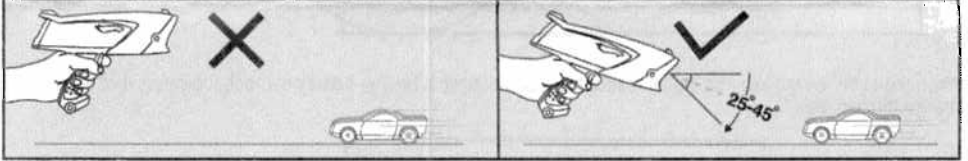


1:64 HOT WHEELS® SCALE MODE

- Pressing and holding the trigger will show the current speed on the screen.
- Releasing the trigger will show the MAX detected speed on the screen for approximately 30 seconds.
- Pressing and holding the trigger again will reset the digital readout to 0 and the speed of the next object will be measured.

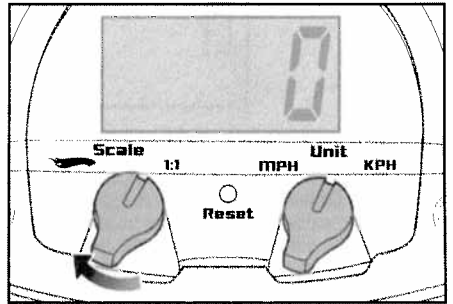


Please note: For most accurate read, objects must be moving directly towards or away from the radar gun. Point the radar gun at a 25-45 degree angle to either the front or rear of the vehicle as it is traveling on the track. Make sure the radar gun is no more than 1.5 feet (.45 m) away from the Hot Wheels® car being measured.



1:1 SCALE MODE

- Pressing and holding the trigger will show the current speed on the screen.
- Releasing the trigger will show the MAX detected speed on the screen for approximately 30 seconds.
- Pressing and holding the trigger again will reset the digital readout to 0 and the speed of the next object will be measured.



- Do NOT use in or near the street.
- The MAXIMUM measuring/responding distance is approximately 39 feet (12 m).

