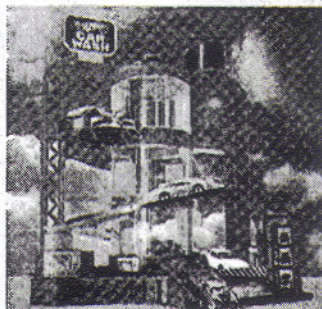
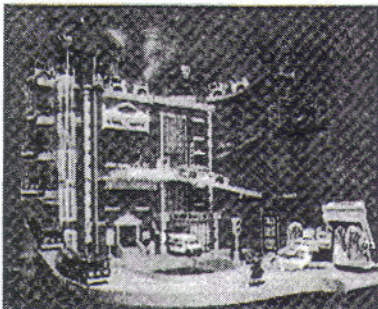
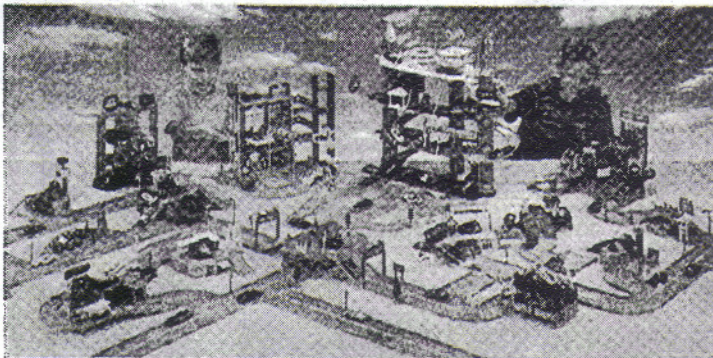


Collect Them All!



19309
HOT WHEELS® Fire Station
Three levels of emergency rescue action!

16756
HOT WHEELS® Car Wash
Three levels of sparkling clean fun!



All roads lead to HOT WHEELS WORLD!
Create your own colossal city scene with lots of action everywhere!

*Each set sold separately, subject to availability.
Decorations may vary from those shown.*

BATTERY CAUTION:

1. Non-rechargeable batteries are not to be recharged.
2. Rechargeable batteries are to be removed from the toy before being charged (if removable).
3. Rechargeable batteries are only to be charged under adult supervision (if removable).
4. Do not mix alkaline, standard (carbon-zinc), or rechargeable (nickel-cadmium) batteries.
5. Never mix old and new batteries.
6. Only batteries of the same or equivalent type as recommended are to be used.
7. Batteries are to be inserted with the correct polarity.
8. Exhausted batteries are to be removed from the toy.
9. The supply terminals are not to be short-circuited.

TWO YEAR LIMITED WARRANTY

Mattel, Inc. warrants to the original consumer purchaser that this product will be free of defects in material or workmanship for two years (unless specified in alternate warranties) from the date of purchase. If defective, return the product along with proof of the date of purchase, postage prepaid, to Consumer Adjustment Center, 15930 E. Valley Boulevard, City of Industry, California 91744 for replacement or refund at our option. This warranty does not cover damage resulting from accident, misuse or abuse. **VALID ONLY IN U.S.A.** This warranty gives you specific legal rights and you may also have other rights which vary from state to state.

Send only the product to the address above. Send all correspondence to Consumer Affairs, Mattel, Inc., 333 Continental Blvd., El Segundo, CA 90245-5012, U.S.A. Or you may phone us toll-free at 1-800-524-TOYS, Monday through Thursday: 8:00 a.m.-5:00 p.m. PST (11:00 a.m.-8:00 p.m. EST); Friday: 8:00 a.m.-12:30 p.m. PST (11:00 a.m.-3:30 p.m. EST).

CONSUMER INFORMATION

SMILY MATEL TM
YOU CAN TELL IT'S MATTEL! CALL us toll-free or write with any comments or questions about our products or service. Monday-Thursday, 8:00 a.m.-5:00 p.m. PST; 11:00 a.m.-8:00 p.m. EST; Friday, 8:00 a.m.-12:30 p.m. PST; 11:00 a.m.-3:30 p.m. EST. Outside U.S.A., see telephone directory for Mattel listing. Consumer Affairs, Mattel, Inc., 333 Continental Blvd., El Segundo, CA 90245 USA.

1 (800) 524-TOYS

CE CONFORMS TO THE SAFETY REQUIREMENTS OF ASTM F963.
We are dedicated to quality products.

WARNING:
CHOKING HAZARD - Small parts.
Not for children under 3 years.

HOT WHEELS
MATTTEL

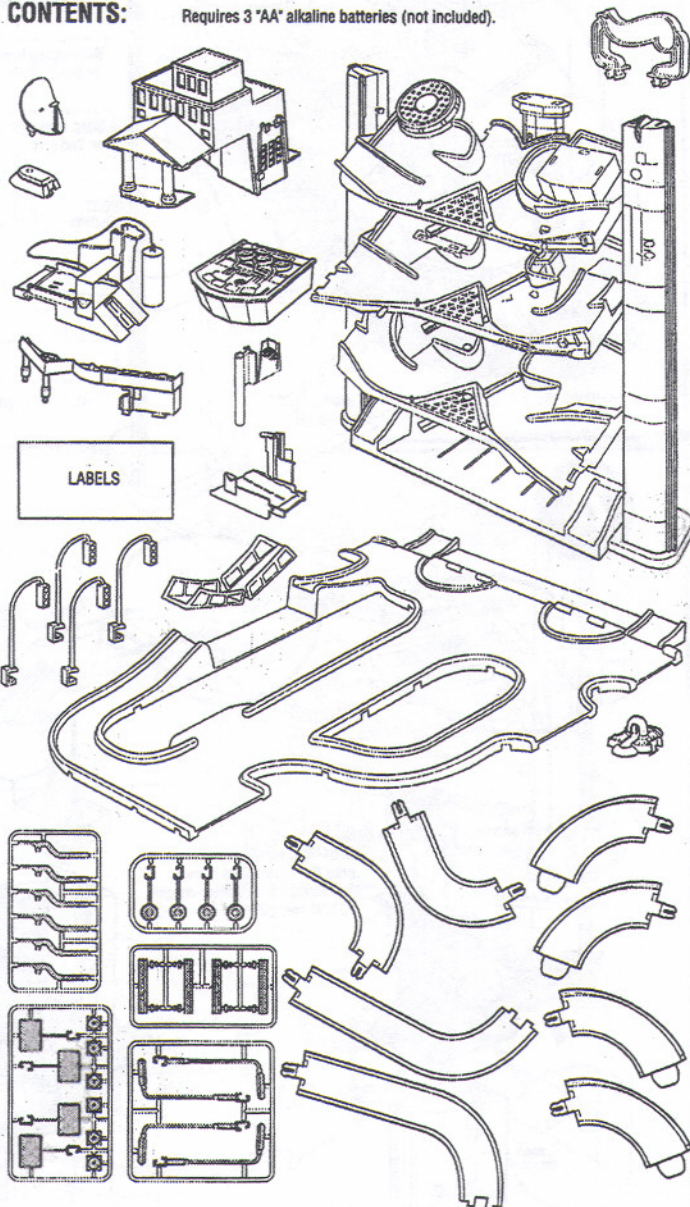
WORLD

19815-0920-M3

SUPER ELECTRONIC CITY CENTER™
4-LEVEL DELUXE FOLDING PLAYSET

ADULT ASSEMBLY REQUIRED.

CONTENTS: Requires 3 "AA" alkaline batteries (not included).

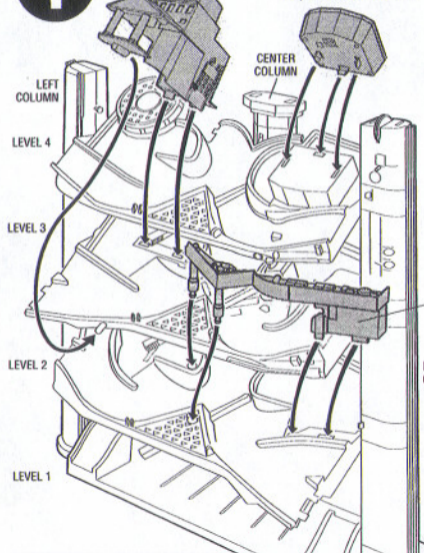


LABELS

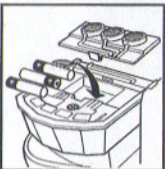
Keep these instructions as they may contain important information.

1

Snap in Police station on 3rd level.
Snap in Hospital / battery compartment on 4th level.



INSTALL BATTERIES



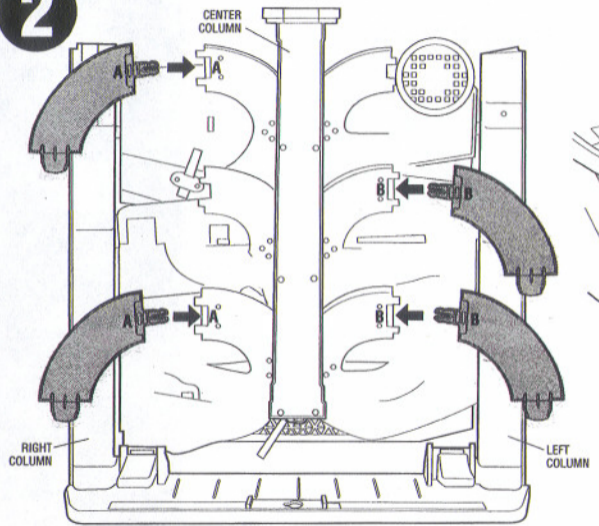
Remove battery cover and insert 3 "AA" alkaline batteries as shown. Replace cover.

When sounds stop playing replace batteries.

Snap in service station on 2nd level.

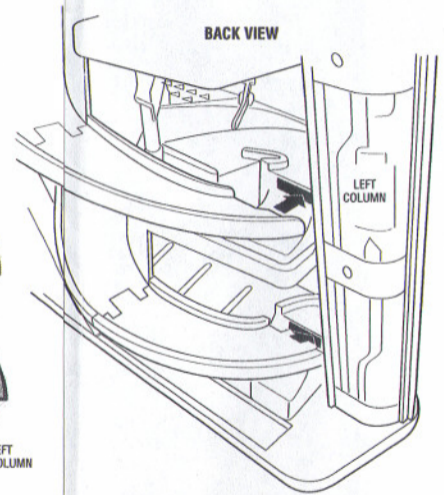
2

BACK VIEW

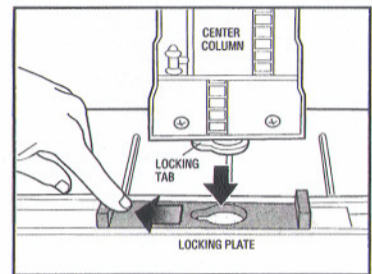


Attach the 4 small curved ramp sections as shown. Match letters (A to A, B to B). Push until they snap into place.

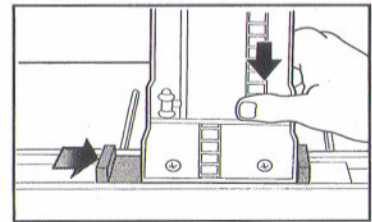
BACK VIEW



While slowly pushing down on center column, make sure tabs on small curved ramps fit into slots.



After you push down on center column, slide locking plate to the left (←) to align locking tab.

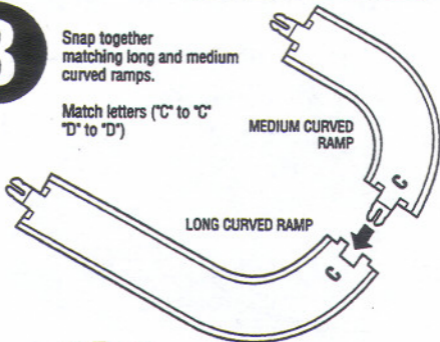


Hold down center column firmly and slide locking plate to the right (→) to secure center column.

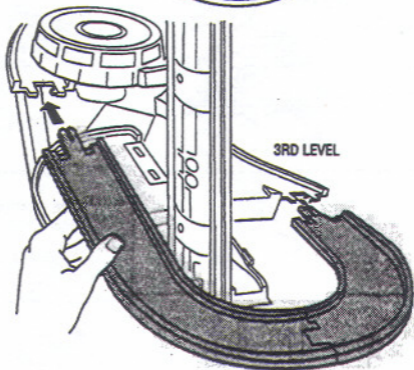
3

Snap together matching long and medium curved ramps.

Match letters ("C" to "C"
"D" to "D")

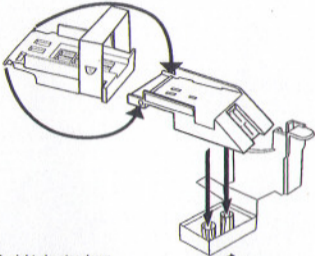
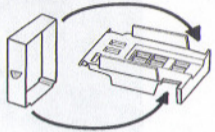


4TH LEVEL

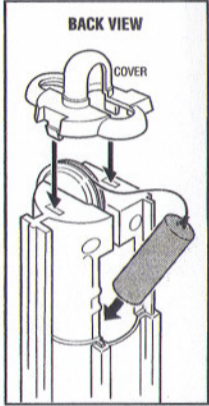
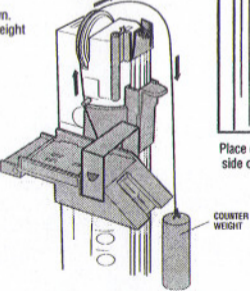
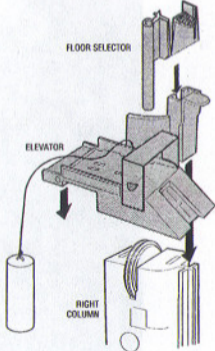


Snap this assembly into slots on 3rd and 4th levels.
Do the same on other side. (2nd and 3rd levels.)

4



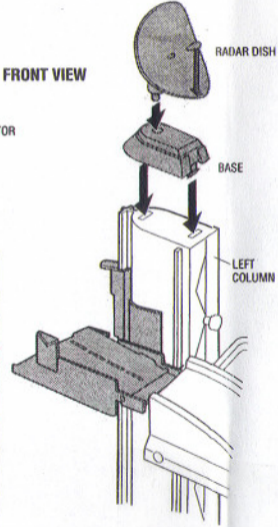
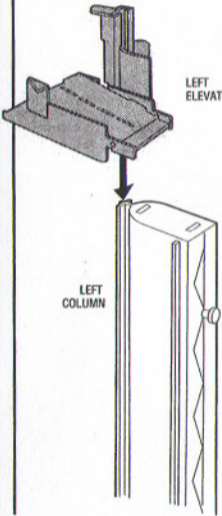
Slide right elevator down onto right column as shown. Pull string from counter-weight up and over pulley.



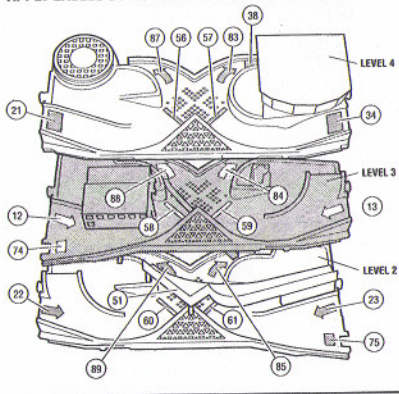
Place counter weight into slot on back side of column. Snap cover onto top.

5

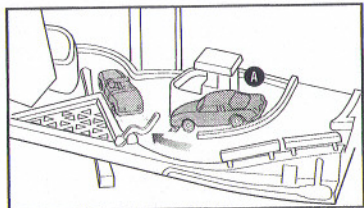
Slide left elevator down onto left column as shown. Assemble radar dish to base and snap into top.



APPLY LABELS BY NUMBER TO EACH LEVEL AS SHOWN.



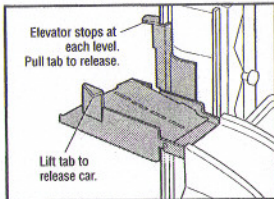
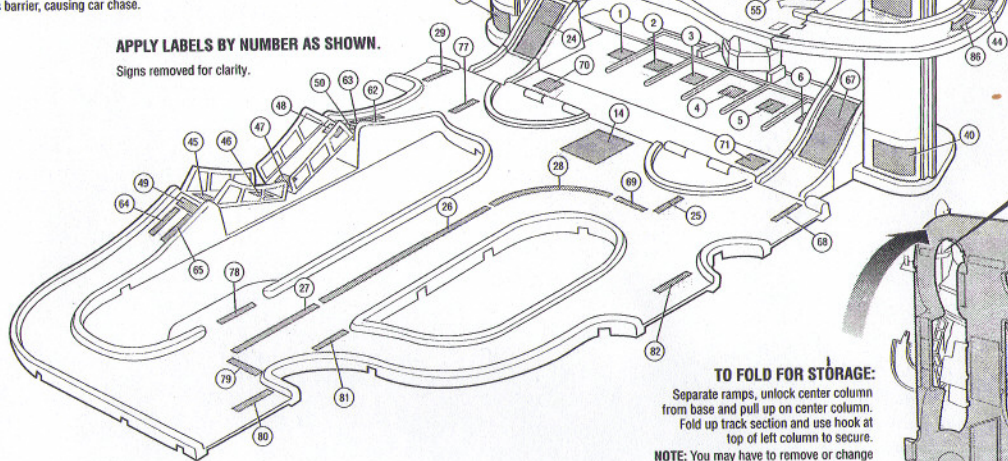
By placing dividers in different positions, you can direct cars in different paths.



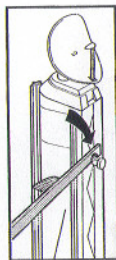
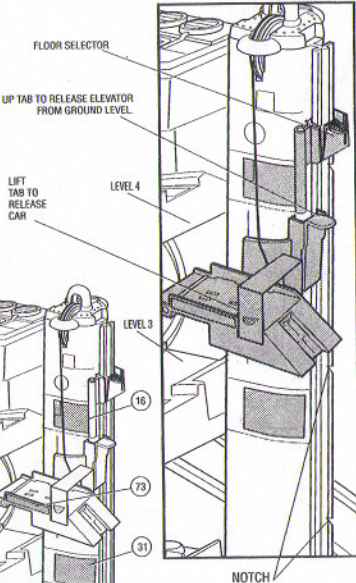
Place car on speed trap A. When 2nd car goes down ramp, it trips barrier, causing car chase.

APPLY LABELS BY NUMBER AS SHOWN.

Signs removed for clarity.



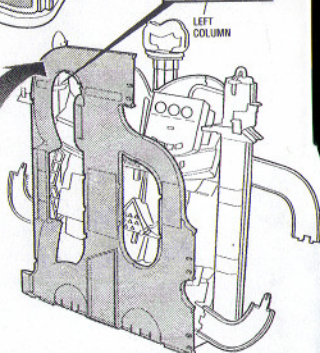
To select floor, move selector to desired level and snap into notch. Elevator will stop at selected floor and release vehicle.



TO FOLD FOR STORAGE:

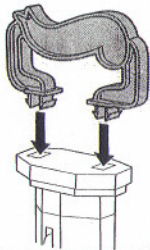
Separate ramps, unlock center column from base and pull up on center column. Fold up track section and use hook at top of left column to secure.

NOTE: You may have to remove or change position of street signs when folding. Make sure dividers are oriented to your right (Automatic Elevator)



6

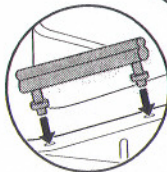
Snap handle
onto top of
center column.

**7**

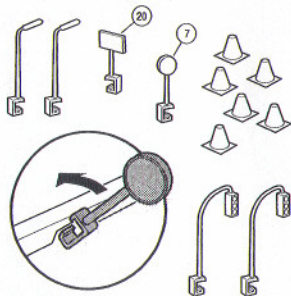
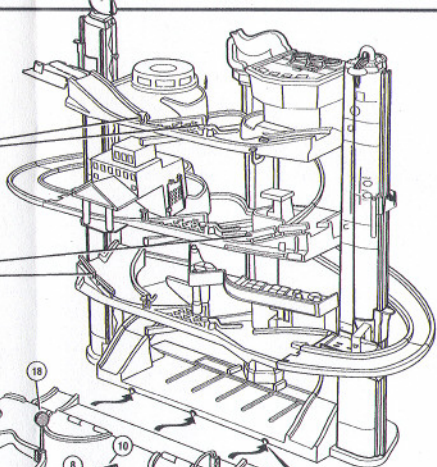
**COMPLETED
ASSEMBLY**



ON EACH
FLOOR



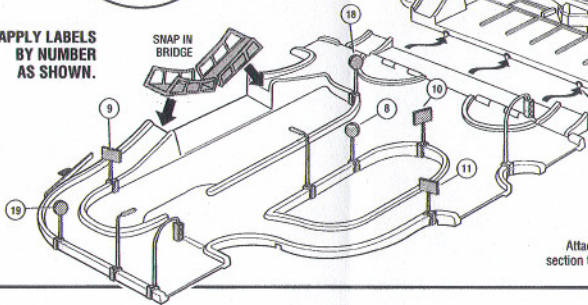
TWO BARRIERS
PER FLOOR



Install street lamps,
signs and lights.

**APPLY LABELS
BY NUMBER
AS SHOWN.**

SNAP IN
BRIDGE



Attach track
section to base.