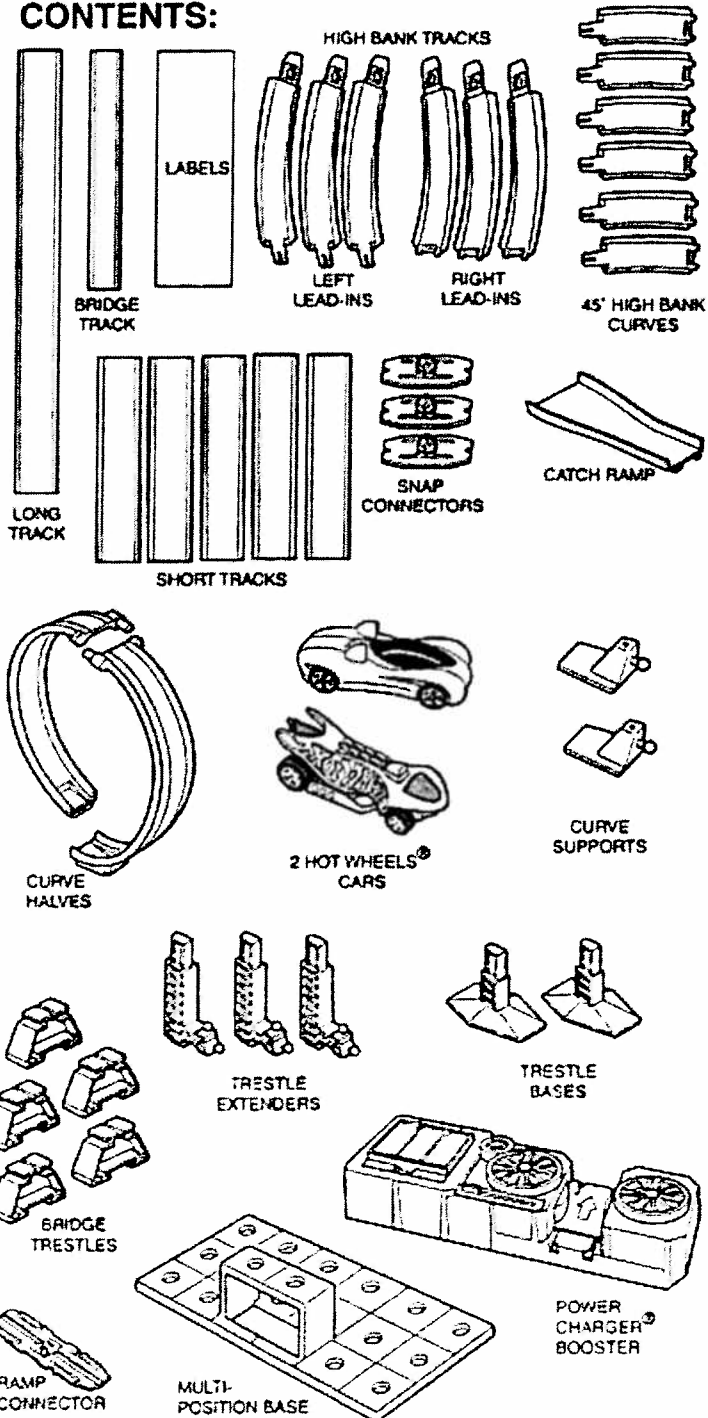




27949-0920 M1

WILDCAT™ SUPER STARTER SET INSTRUCTIONS

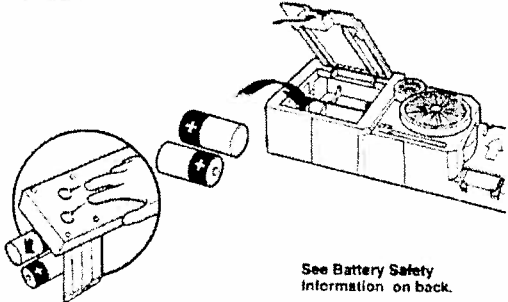
CONTENTS:



1

INSTALL BATTERIES:

Press in at tab on battery door and pull upward to open front of compartment. Insert two fresh "D" size alkaline batteries (not included) as shown. Close cover.



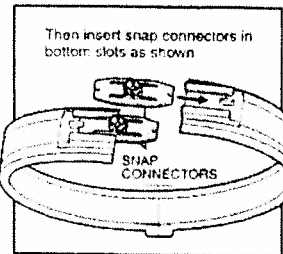
See Battery Safety information on back.

Push fingers through holes on bottom to remove batteries

2

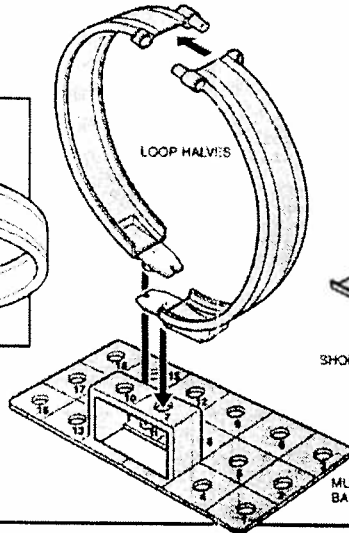
SET UP LOOP AND BASE:

Snap together top part of loop halves as shown.



Then insert snap connectors in bottom slots as shown

Snap connector into hole no. 17 of multi-position base. Slide a short track onto the connector until the connector is in center of track.



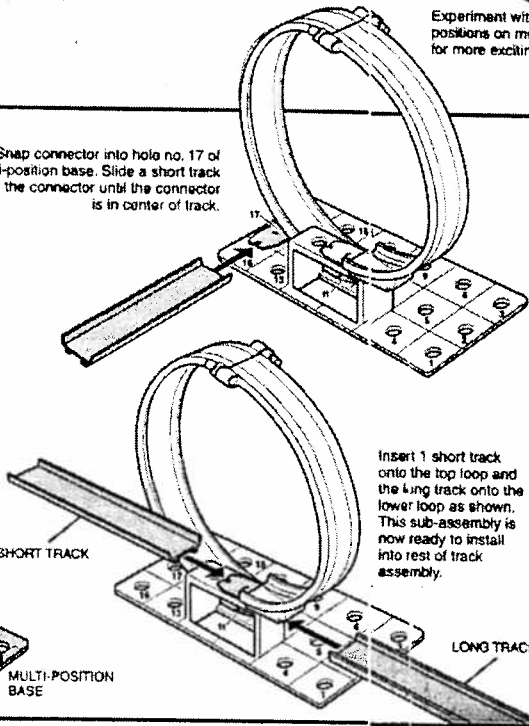
LOOP HALVES

SHORT TRACK

MULTI-POSITION BASE

Next, snap these connectors into holes no. 7 and no. 11 as shown.

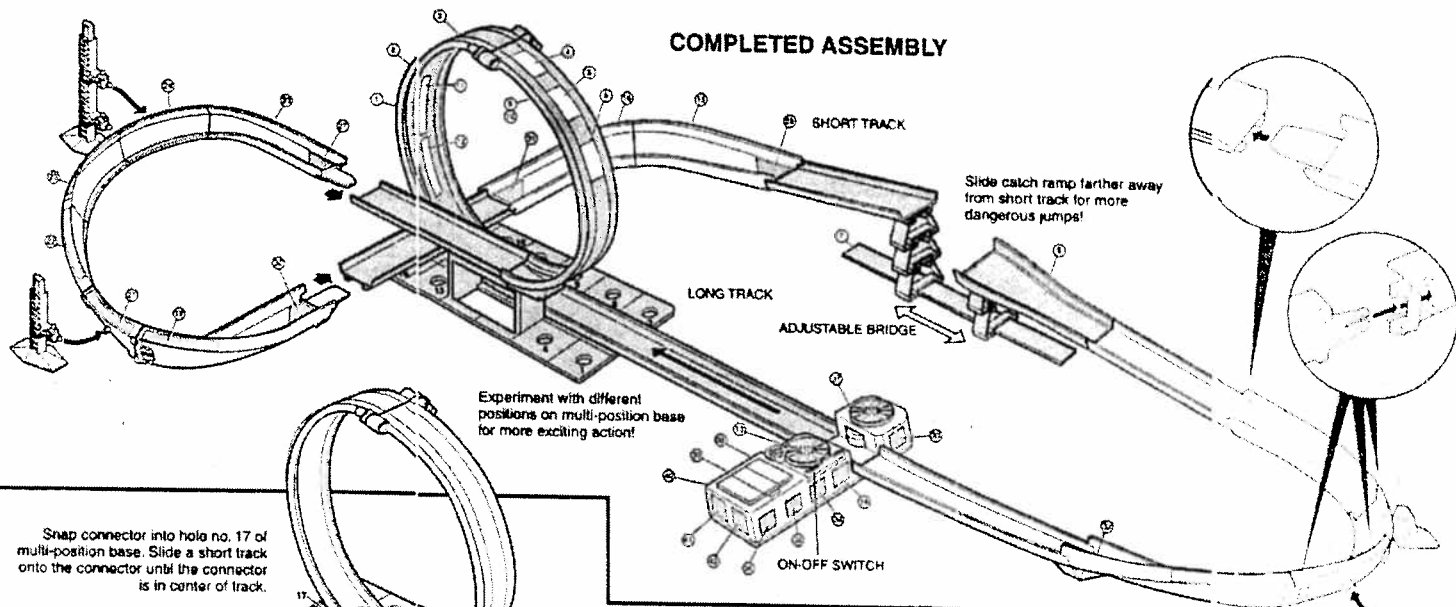
Experiment with different positions on multi-position base for more exciting action!



Insert 1 short track onto the top loop and the long track onto the lower loop as shown. This sub-assembly is now ready to install into rest of track assembly.

LONG TRACK

COMPLETED ASSEMBLY



SHORT TRACK

LONG TRACK

ADJUSTABLE BRIDGE

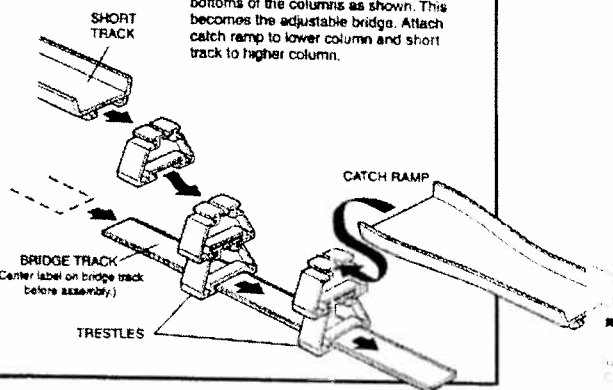
Slide catch ramp farther away from short track for more dangerous jumps!

ON-OFF SWITCH

3

BUILD ADJUSTABLE BRIDGE

Snap trestle parts together to make one 2-level and one 3-level column. Insert the bridge track through the bottoms of the columns as shown. This becomes the adjustable bridge. Attach catch ramp to lower column and short track to higher column.



SHORT TRACK

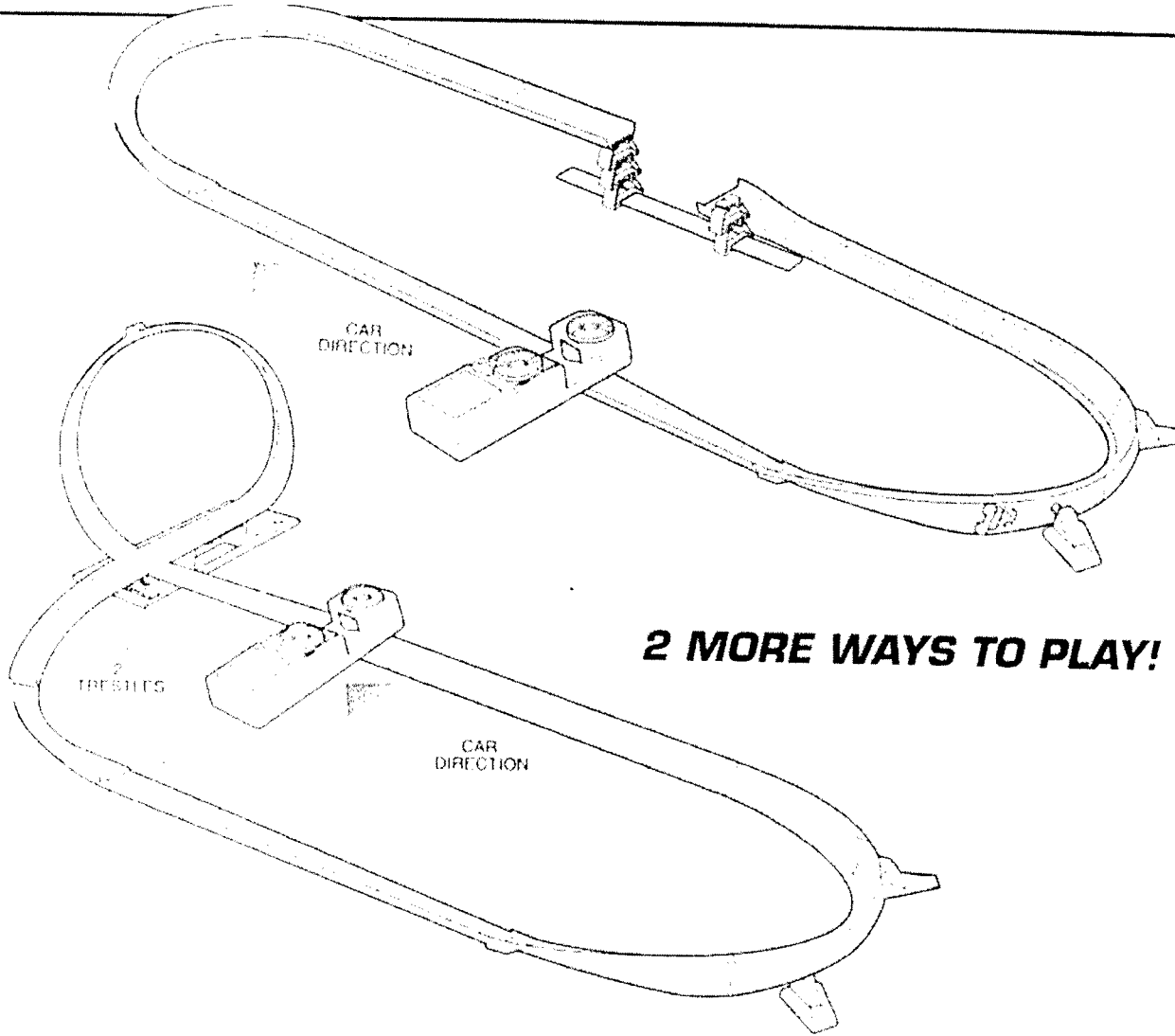
BRIDGE TRACK (Center label on bridge track before assembly)

TRESTLES

CATCH RAMP

Take the short track and attach it to the higher column as shown.

TAKE THE SHORT TRACK AND ATTACH IT TO THE HIGHER COLUMN AS SHOWN.



2 MORE WAYS TO PLAY!

USE ONLY ALKALINE BATTERIES:
Toy may not function or operate with other types of batteries

- BATTERY SAFETY INFORMATION:**
1. Non-rechargeable batteries are not to be recharged.
 2. Rechargeable batteries are to be removed from the product before they are charged.
 3. If removable rechargeable batteries are used, they are only to be charged under adult supervision.
 4. Do not mix alkaline, standard (carbon-zinc), or rechargeable (nickel-cadmium) batteries.
 5. Do not mix old batteries and new batteries.
 6. Only batteries of the same or equivalent type as recommended are to be used.
 7. Be sure to insert batteries with the correct polarities and always follow the toy and battery manufacturers' instructions.
 8. Exhausted batteries are to be removed from the product.
 9. The supply terminals are not to be short-circuited.
 10. Dispose of batteries safely.

CONSUMER INFORMATION

YOU CAN TELL IT'S MATTEL! CALL us toll-free for more information or questions about our products or services. Monday-Friday 8:00 a.m. - 5:00 p.m. PST; 11:00 a.m. - 8:00 p.m. EST. Outside U.S.A., see telephone directory for Mattel listing. Consumer Affairs, Mattel, Inc., 333 Continental Blvd., El Segundo, CA 90245 USA

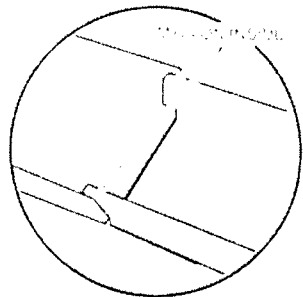
1 (800) 524-TOYS

CE CONFORMS TO THE SAFETY REQUIREMENTS OF ASTM F963

We are dedicated to quality products.

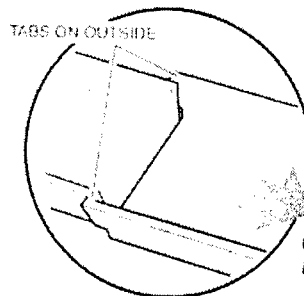
Keep these instructions for future reference, as they contain important information.

TROUBLESHOOTING TIPS:



CAR DIRECTION

To insure car travels smoothly through track sections, adjust tabs as shown. This prevents car from hitting track edges.



CAR DIRECTION

2 YEAR LIMITED WARRANTY

Mattel, Inc. warrants to the original consumer purchaser of any product it manufactures that the product will be free of defects in material or workmanship for two years (unless specified in alternate warranties) from the date of purchase. If defective, return the product along with proof of the date of purchase, postage prepaid, to Consumer Adjustment Center, 15930 E. Valley Boulevard, City of Industry, California 91744 for replacement or refund at our option. This warranty does not cover damage resulting from unauthorized modification, accident, misuse, or abuse. **Valid only in U.S.A.** This warranty gives you specific legal rights and you may also have other rights which vary from state to state.

Send only the product to the address above. Send all correspondence to Consumer Affairs, Mattel, Inc., 333 Continental Blvd., El Segundo, California 90245-5012, U.S.A. Or you may phone us toll-free at 1-800-524-TOYS, Monday - Friday, 8:00 a.m. - 5:00 p.m. PST; 11:00 a.m. - 8:00 p.m. EST.