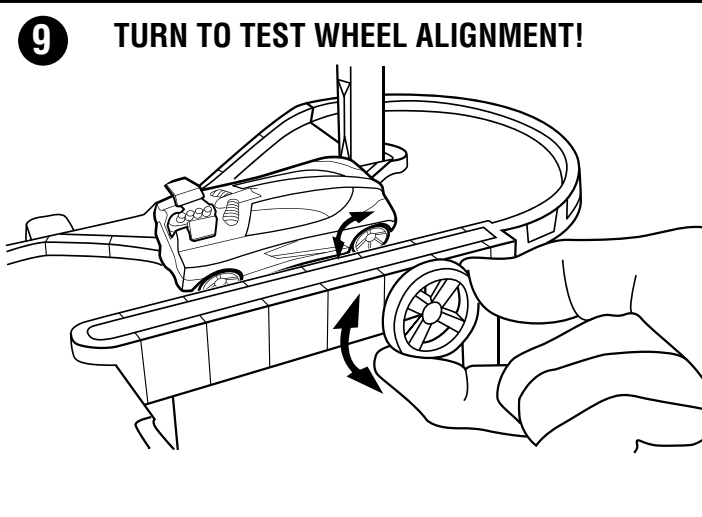
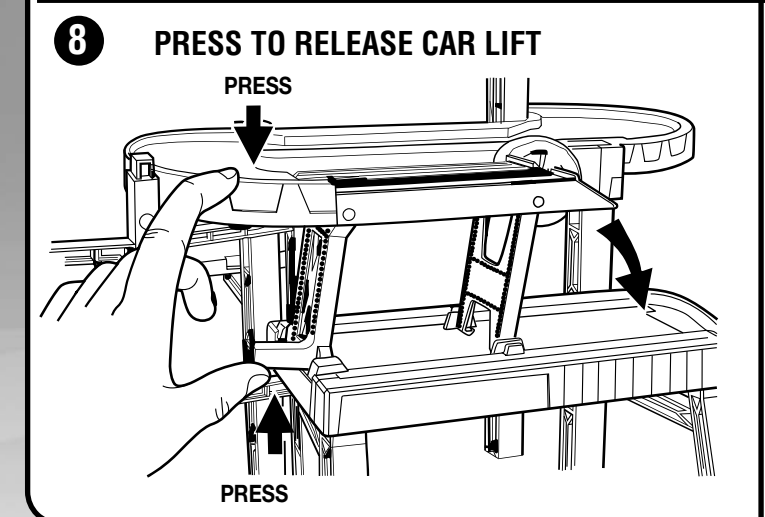
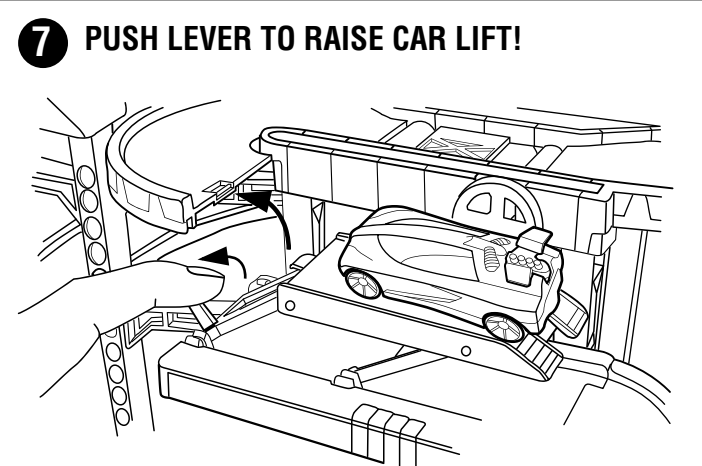
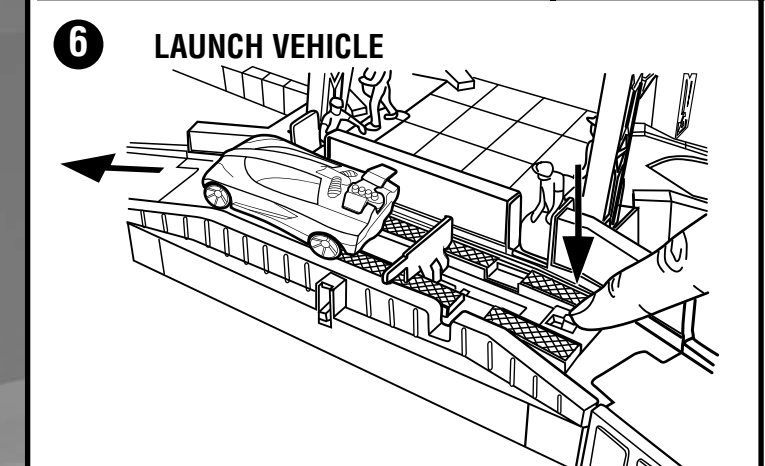
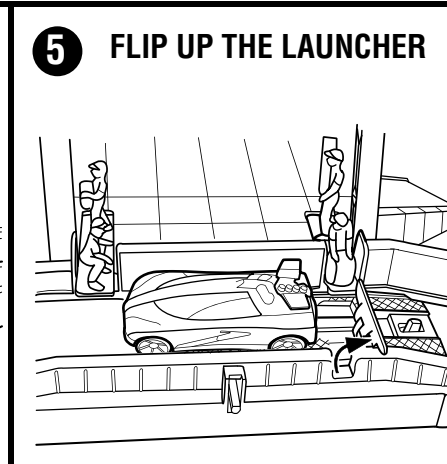
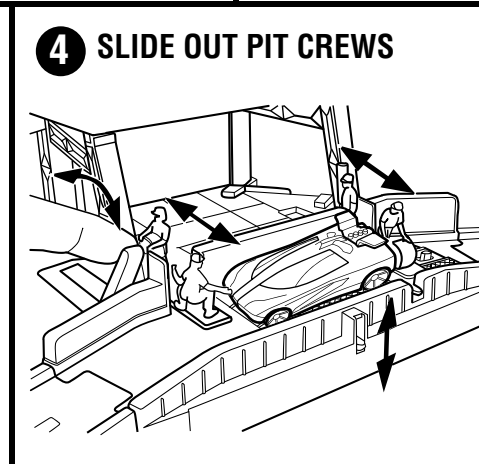
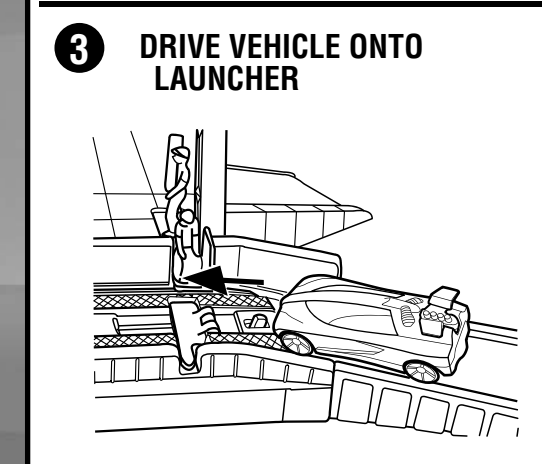
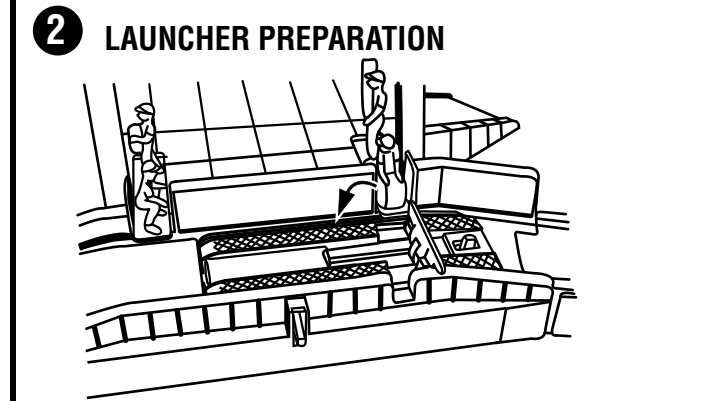
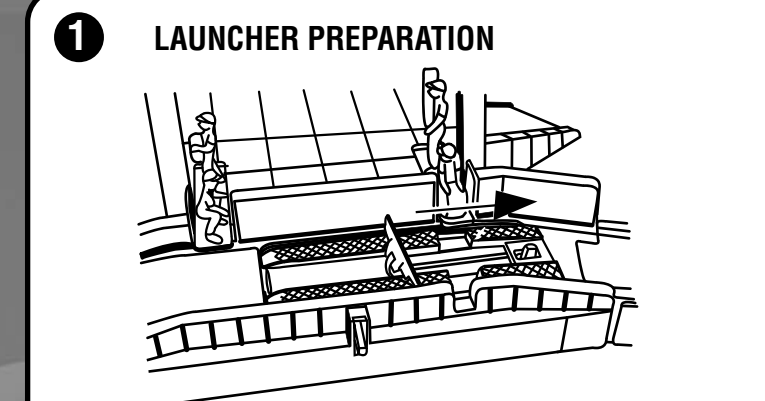
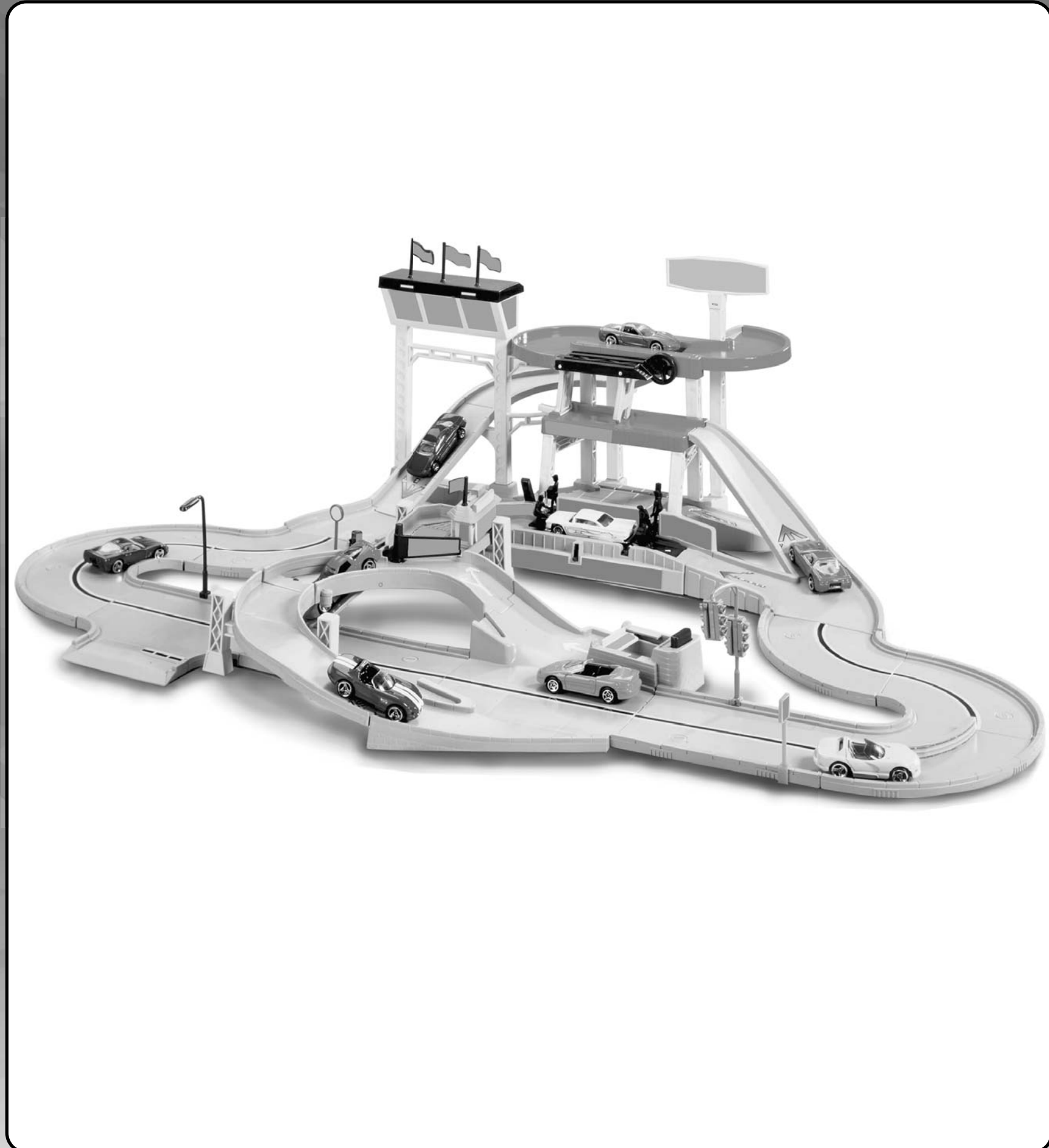


2b TO PLAY



MORE WAYS TO PLAY



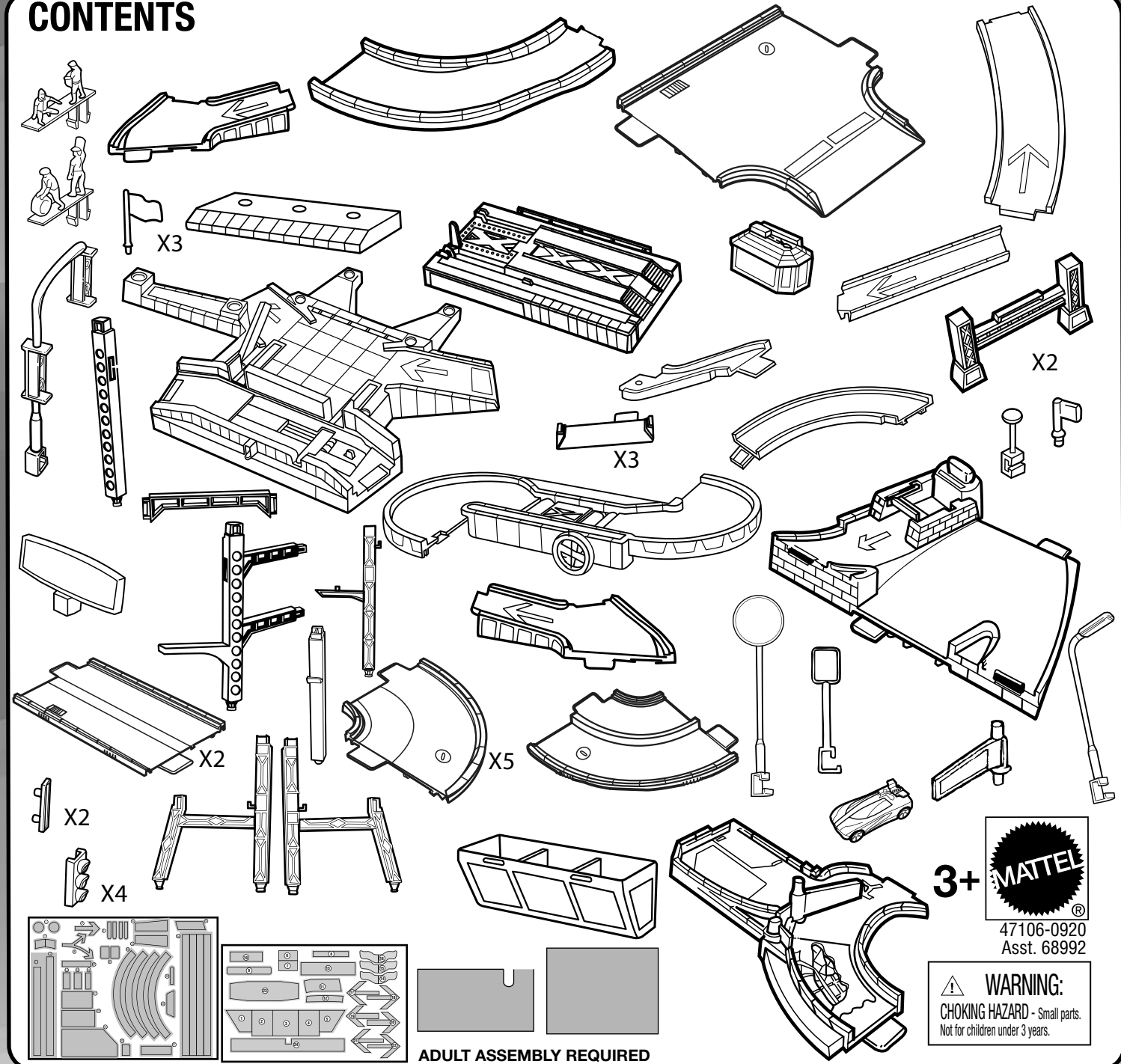
HOT WHEELS BEAT THAT!

INSTRUCTIONS

HOT-ROD GARAGE

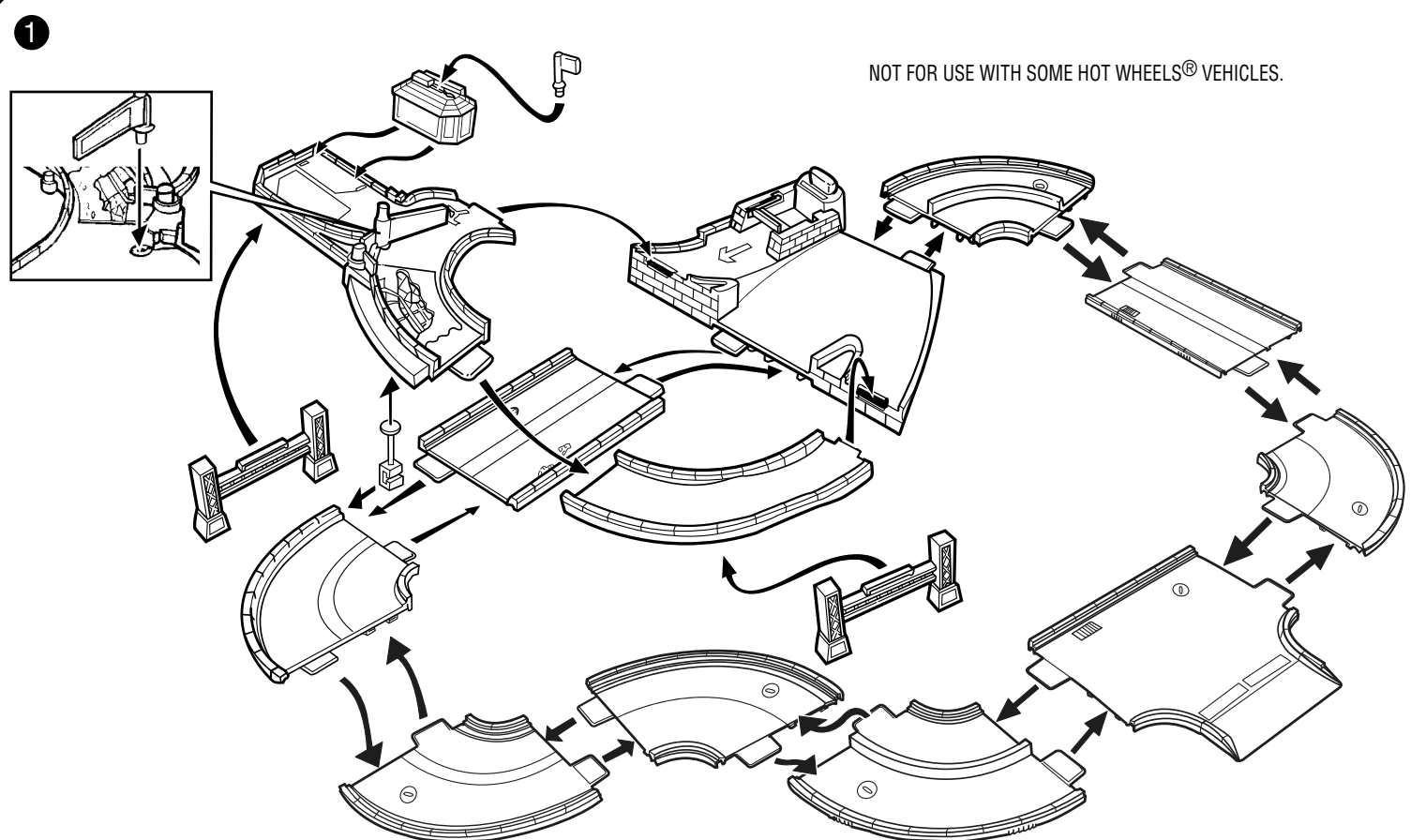
Please keep these instructions for future reference as they contain important information.

CONTENTS

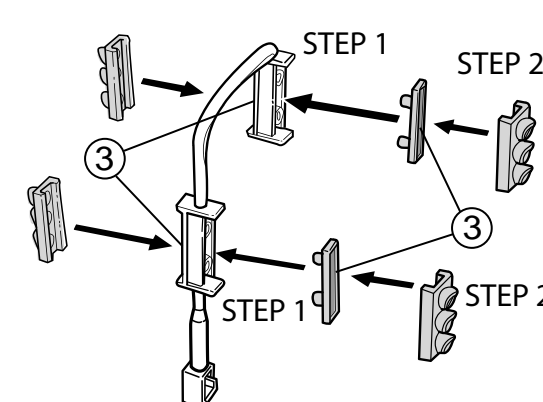


© 2009 Mattel, Inc. All Rights Reserved. Consumer Relations - Mattel, Inc. 636 Girard Avenue, East Aurora, NY 14052, U.S.A. 1-800-524-8697. service.mattel.com™ • Mattel Canada Inc., Mississauga, Ontario L5R 3W2. You may call us free at 1-800-524-8697. • Mattel U.K. Ltd., Vanwall Business Park, Maidenhead SL6 4UB. Helpline 01628500303 • Mattel Australia Pty Ltd., Richmond, Victoria, 3121. Consumer Advisory Service - 1300 135 312. • Mattel East Asia Ltd., Room 1106, South Tower, World Finance Centre, Harbour City, Tsinghsatui, HK, China. • Diimport & Diedarkan Oleh: Mattel SEA Ptd Ltd. (993532-P) Lot 13.5, Menara Lien Hoe, Persiaran Tropicana Golf Country Resort, 47410 PJ. Tel:03-78803817, Fax:03-78803867.

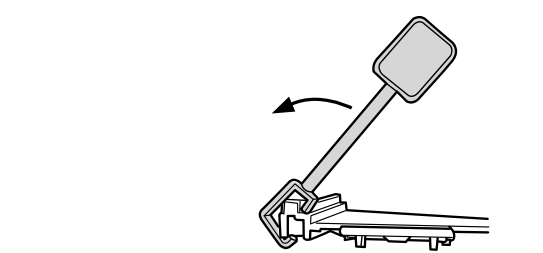
1a TO ASSEMBLE



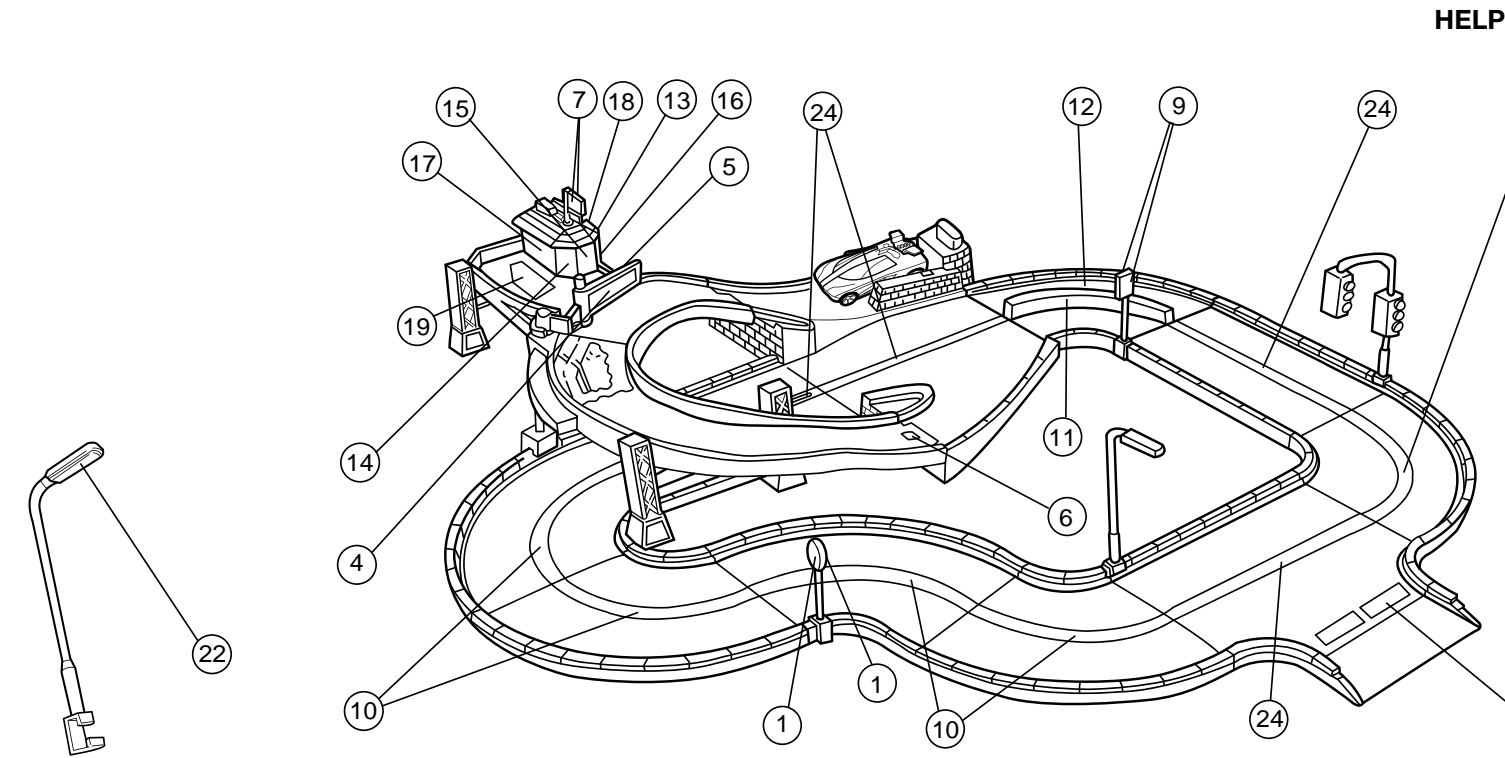
2 STREET LIGHT ASSEMBLY



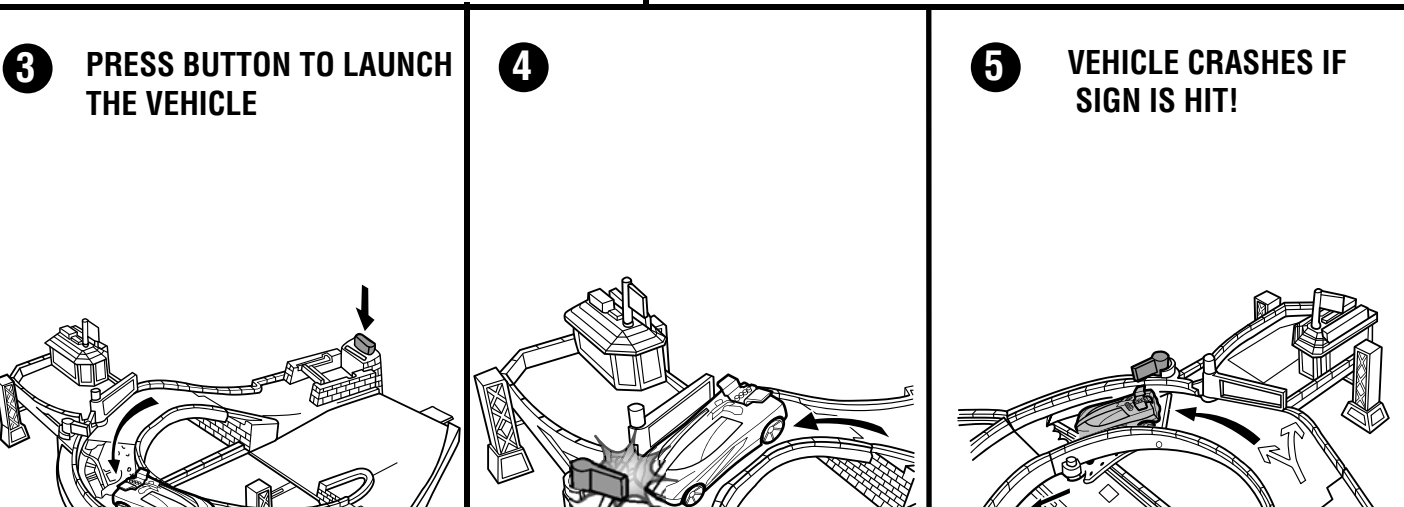
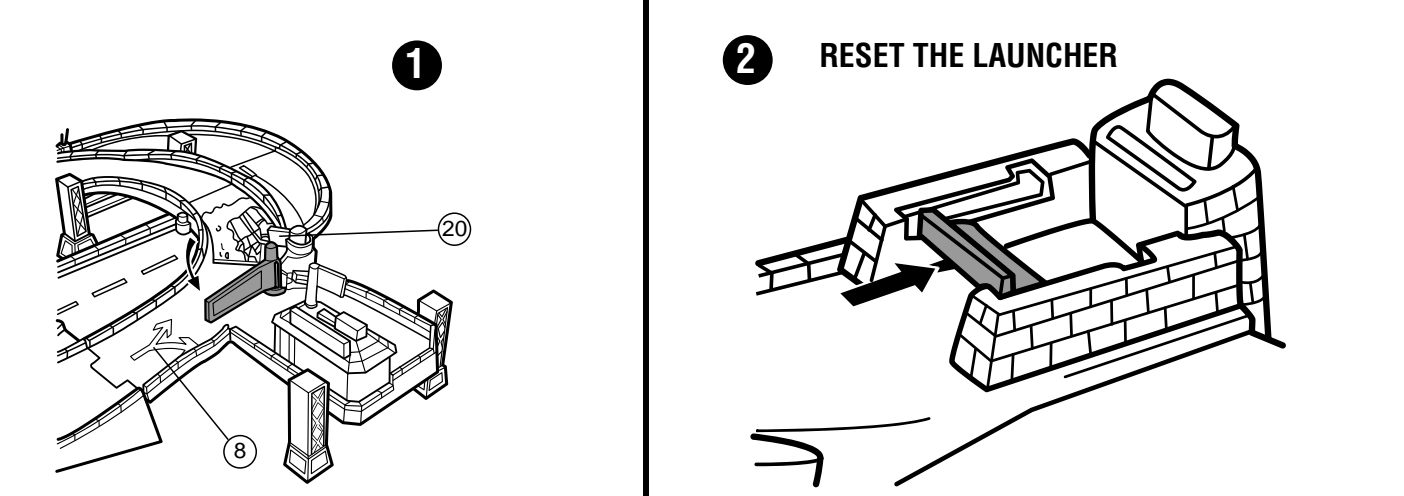
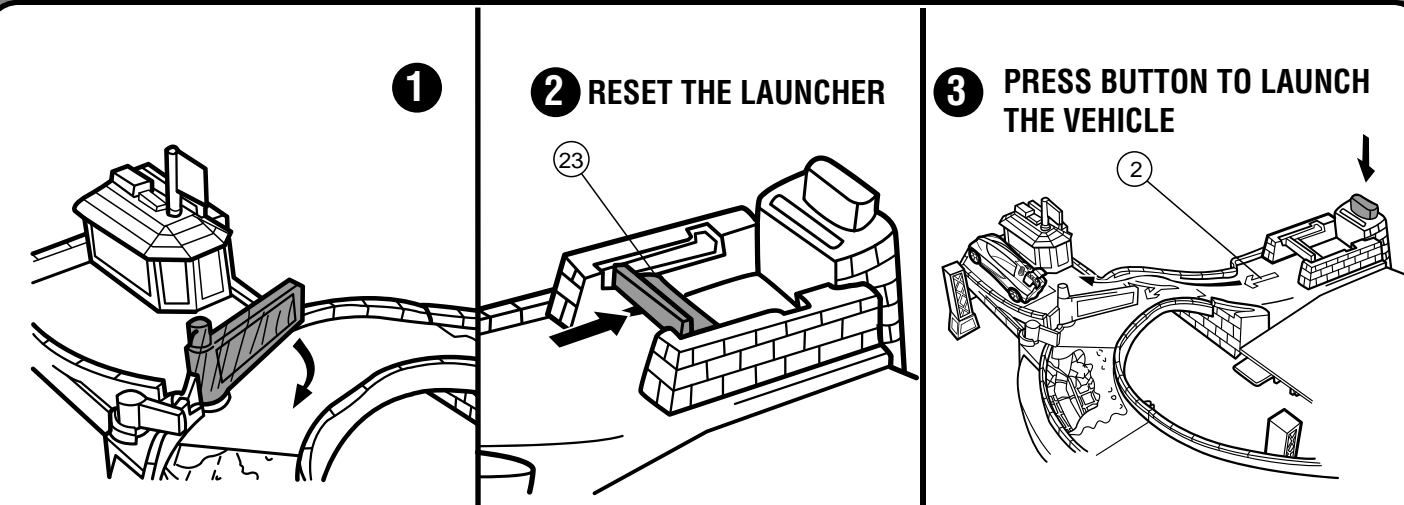
3 TRACK ACCESSORY ASSEMBLY



APPLY LABELS AS SHOWN



1b TO PLAY



2a TO ASSEMBLE

