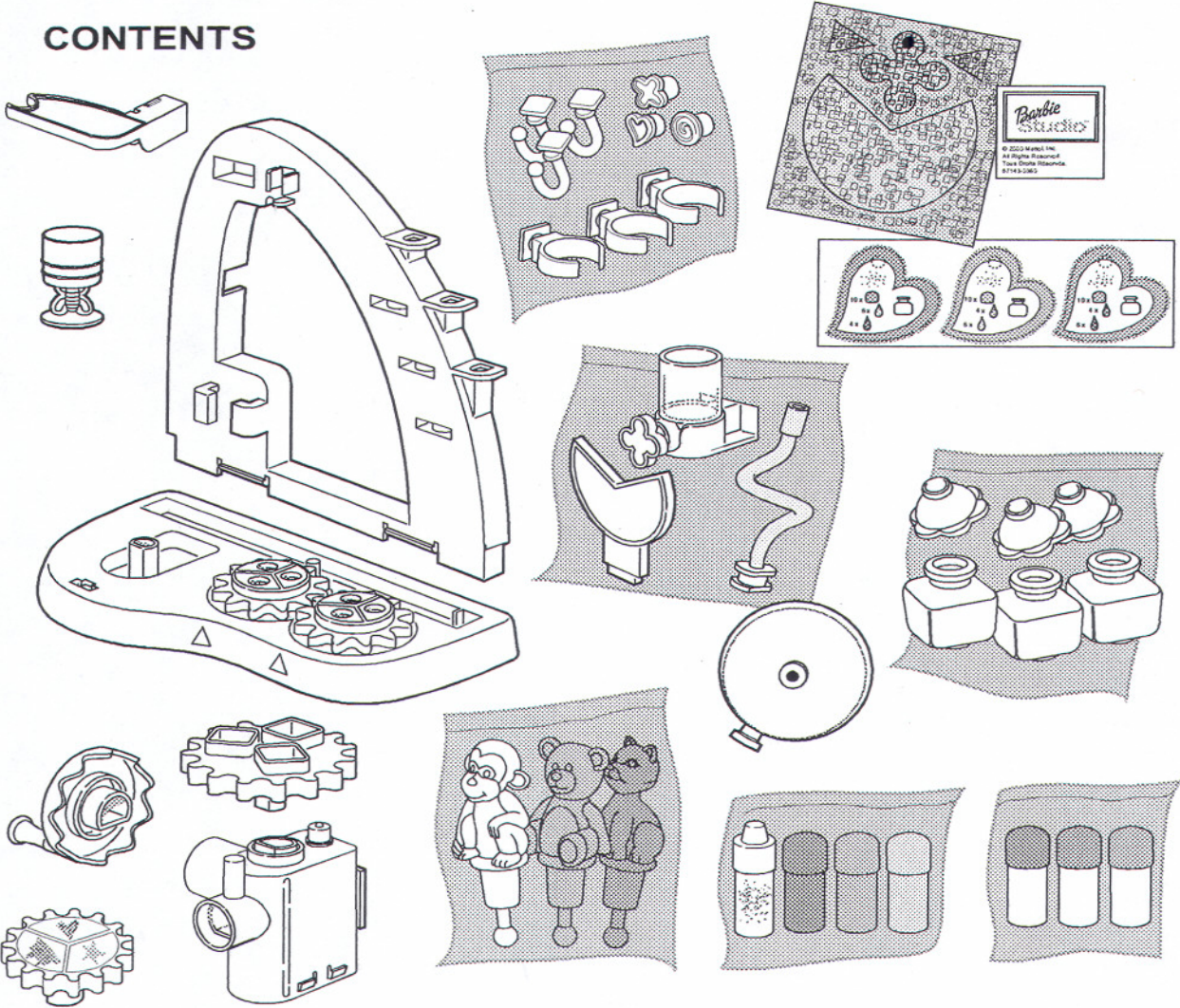


Barbie Studio Sparkle Scents™

Fragrance Maker

INSTRUCTIONS

CONTENTS



CONTENTS: Please remove everything from the package and compare to the contents shown here.

If any items are missing, please call 1-800-524-TOYS.

Keep these instructions for future reference as they contain important information.

Colors and decorations may vary. Tube design may vary."

5+

Retain this address for future reference:

© 2001 Mattel, Inc., El Segundo, CA 90245 U.S.A. All Rights Reserved.

Mattel U.K. Ltd., Vanwall Business Park, Maidenhead SL6 4UB. Help line 01628500303.

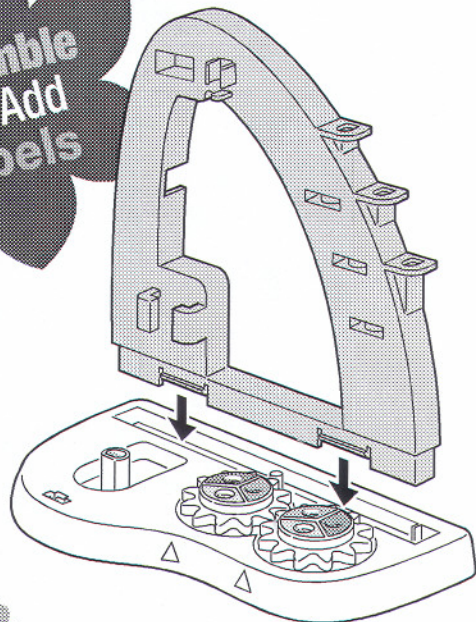
Mattel Australia Pty Ltd., Richmond, Victoria. 3121.

Consumer Advisory Service 1 800 800 812 (valid only in Australia).



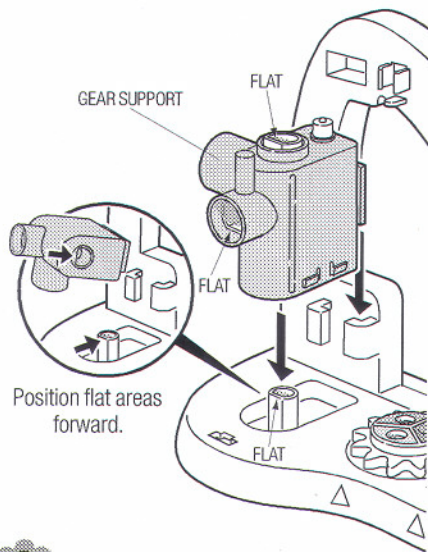
47801-0920

**Assemble
and Add
Labels**



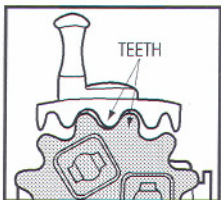
1

Press back panel into base
(this is a permanent connection).

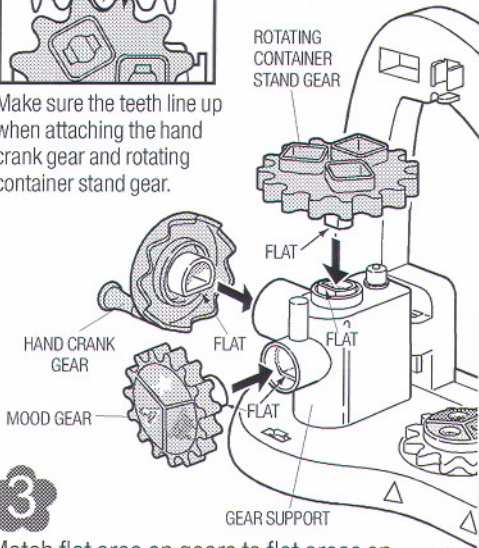


2

Attach gear support.

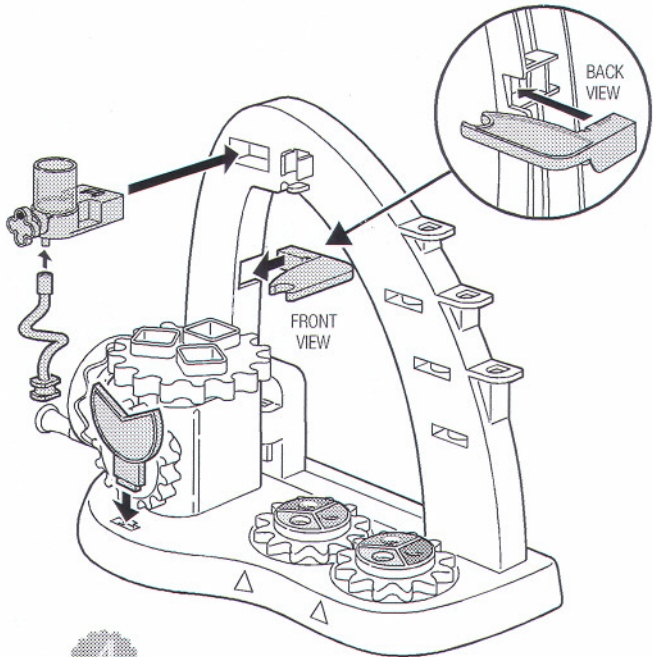


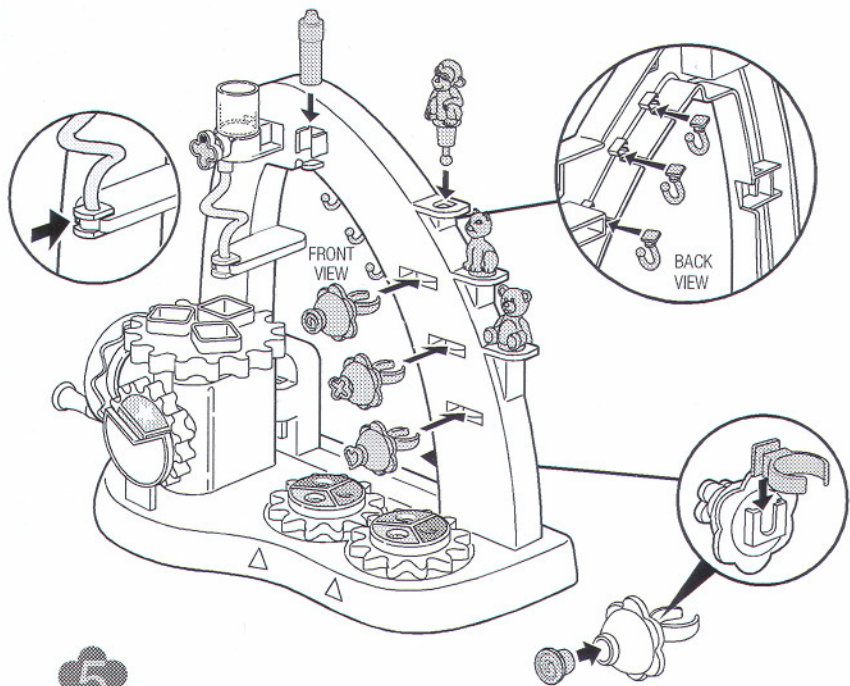
Make sure the teeth line up when attaching the hand crank gear and rotating container stand gear.



3

Match flat area on gears to flat areas on gear support when attaching gears.



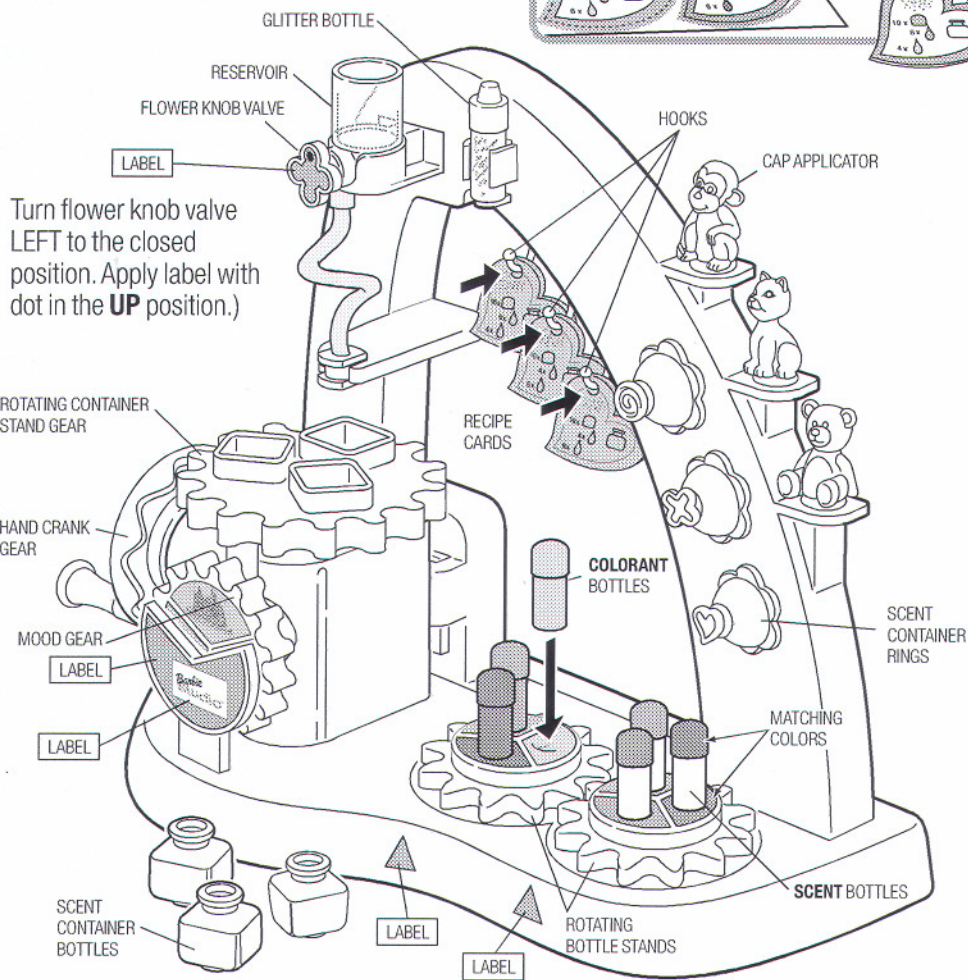
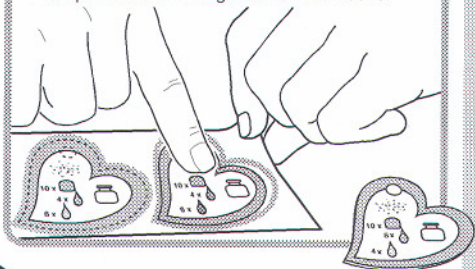


Apply Labels and
**Ready
for
Play!**

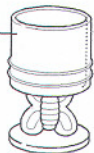
LABEL

Add five labels as indicated.

Punch out recipe cards from the chip board then hang them on the hooks.



MEASURING CUP



6

To position the colorant and scent bottles: **match the color of the bottle cap to the color of the rotating stand label.**

ICON	COLORANT	CAP	LABEL	ICON	SCENT	CAP	LABEL
	Red	Pink	Pink		Tea Rose	Orange	Orange
	Blue	Blue	Blue		Violet	Green	Green
	Yellow	Yellow	Yellow		Spring Bqt.	Lavender	Lavender

Play Time!



Dial your mood!



= Party time!



= Be a DIVA, girl!

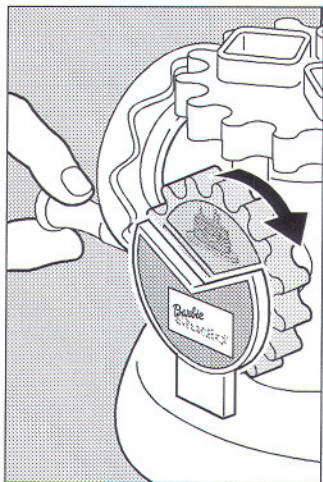


= Do you have a crush?

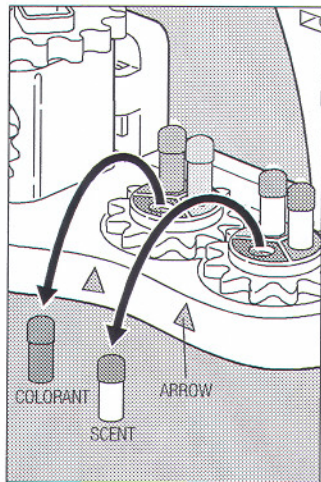
IMPORTANT:

This product may stain fabrics and other surfaces. Avoid contact with carpet, clothing, walls and furniture. Rinse, clean and dry all items thoroughly before storing.

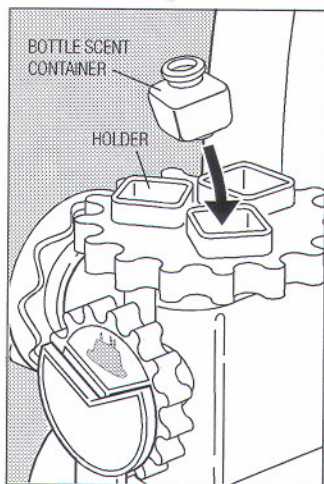
If you choose a **BOTTLE** scent container:



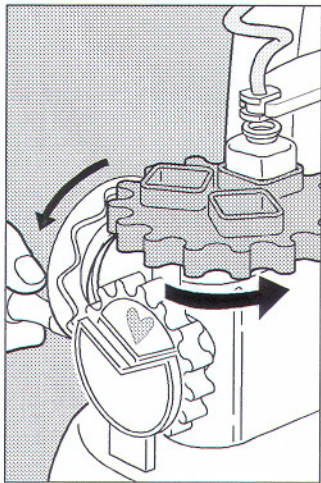
1 Dial your mood!
Rotate the hand crank to select your mood. Mood selected will match with (1) scent and (1) colorant which will line up in front of the arrows.



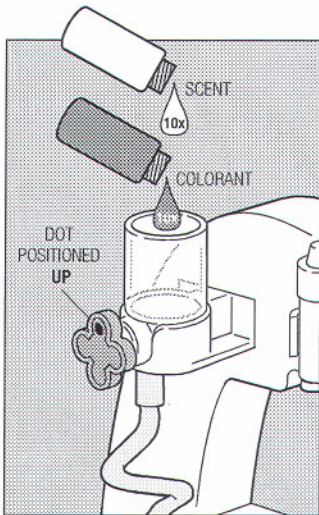
2 Place the selected colorant and scent bottles to the side.



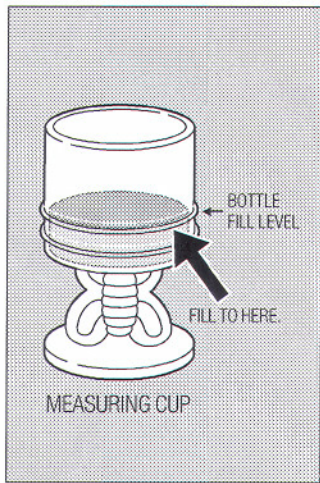
3 Place uncapped **BOTTLE** scent container into holder on the rotating container stand.



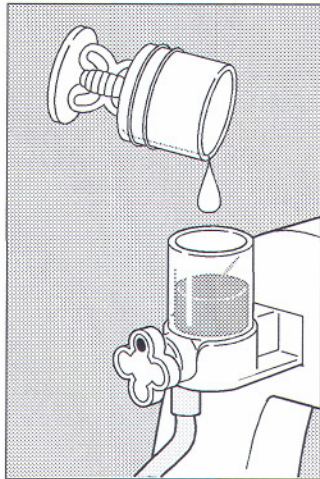
4 Rotate the hand crank to position the scent container directly beneath the spiral tube.



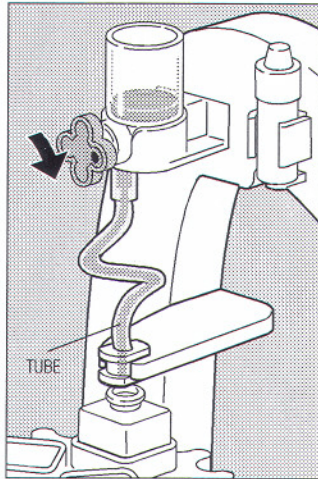
5 The valve must be in the closed position (flower knob dot positioned **UP**). Add **10 drops of colorant** into the reservoir, then add **10 drops of scent**. Recap bottles.



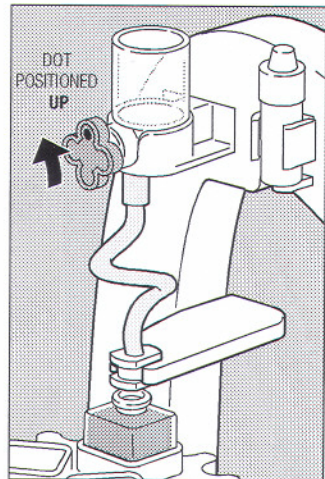
6 Fill measuring cup with water or distilled water to the **BOTTLE FILL LEVEL**.



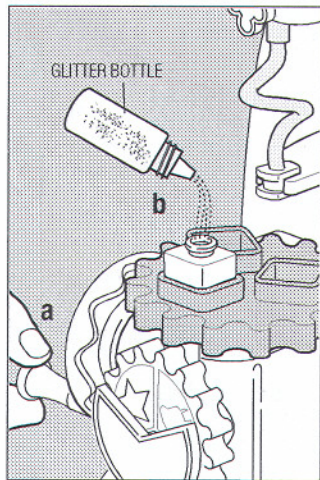
7 Pour water into the reservoir. It will mix with the colorant.



8 Rotate the flower knob **RIGHT** to open the valve. Water mixture will flow through the spiral tube into the scent container.



9 Rotate the flower knob **LEFT** to close valve (dot positioned **UP**).

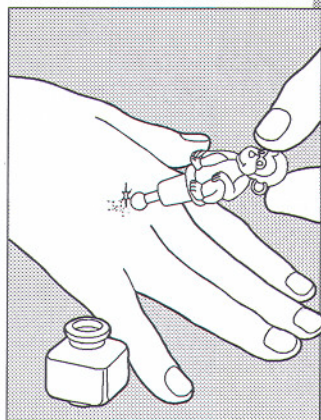


10 a. Rotate the hand crank to position the scent container to the front.

b. Gently rock and squeeze the glitter bottle to pour a small amount of glitter into the scent container. Recap bottle.



11 Choose an animal cap applicator to seal the scent container!



12 Use the applicator to dab scent onto the child's skin!

NOTE: After creating each scent container, rinse reservoir and tubing. See rinsing instructions on page 10.

Add **colors,**
scent &
glitter!

Carry your
fragrance in
cool rings
or bottles!



Colors and decorations may vary. Tube design may vary.*

Barbie
STUDIO

Sparkle Scents™ Fragrance Maker

Refill Order Form
(PLEASE PRINT)

Order refills for the Barbie Studio™ Sparkle Scents™ Fragrance Maker

Contents: SCENTS: 3 bottles total, Net Wt. 1.5 gm/1.5 ml each (@0.052 fl. oz) • COLORANTS: 3 bottles total, Net Wt. 1.5 gm/1.5 ml each (@0.052 fl. oz) • GLITTER: 1 bottle total, Net Wt. 1 gm (0.035 oz).

Please allow 4 to 6 weeks for delivery from date order is received. Refill offer good while supplies last. Call (800) 524-TOYS with any questions. **Offer Valid in USA only.**



We make our mailing list available to Mattel brands and other affiliated companies in whose products you may be interested. Please check here if you **do not** wish to receive these mailings.

© 2001 Mattel, Inc. All Rights Reserved.

Please fill out this certificate completely, adding sales tax (if applicable), postage and handling. Mail certificate and check or money order (please do not send cash) payable to:

MATTEL SPECIALTY
Barbie Studio™
Sparkle Scents™ Fragrance Maker
Refill Offer Form
PO Box 4237
Ontario, CA 91761

Number of Barbie Studio™ Sparkle Scents™ Fragrance Maker refill packs: _____
(QUANTITY)

Price (\$5.00 x quantity): \$ _____

Residents of CA, KY please add applicable sales tax: \$ _____

Postage and Handling (\$2.50/pack): \$ _____

Total Amount Enclosed: \$ _____

Your Name: _____

Address: _____

City: _____ State: _____

Zip: _____ Phone: () _____

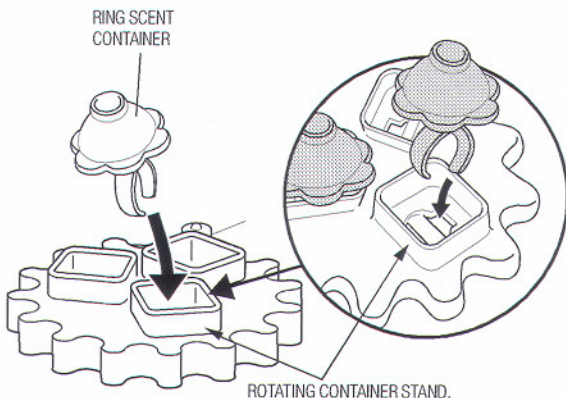
If you choose a RING scent container:

1 Dial Your Mood!

Rotate the hand crank to select your mood. Mood selected will match with 1 scent and 1 colorant which will line up in front of the arrows.

2 Place the selected colorant and scent bottles to the side.

3 Place uncapped **RING** scent container into holder on rotating container stand. (See illustration at right)



4 Rotate the hand crank to position the scent container directly beneath the spiral tube.

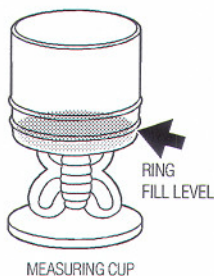
5 The valve must be in the closed position (flower knob dot positioned **UP**).

5A Add **5 drops of colorant** into the reservoir,

5X then add **5 drops of scent**.

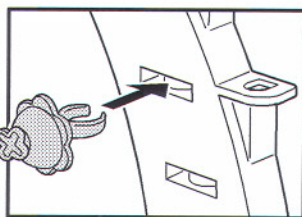
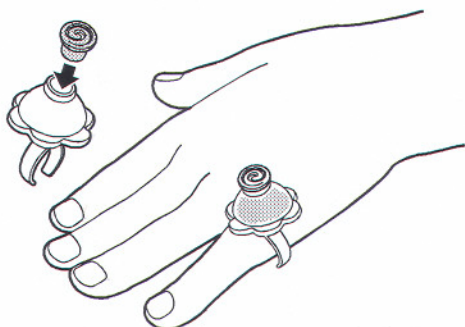
Recap bottle.

6 Fill measuring cup with water or distilled water to the **RING FILL LEVEL**.



Follow BOTTLE instructions

7 through **10**

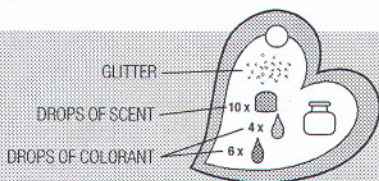


Store ring in back panel.

After creating each scent container rinse reservoir and tubing. See rinsing instructions on next page.

Use the **RECIPE CARDS** to create even more cool scents!

1 Select a **recipe card**, then choose a **bottle** or **ring** scent container.



BOTTLE RECIPE: (front of card)

ORANGE = 6 drops of yellow, 4 drops of red, 10 drops of scent.

PURPLE = 4 drops of blue, 6 drops of red, 10 drops of scent.

GREEN = 4 drops of blue, 6 drops of yellow, 10 drops of scent.

RECIPE CARD



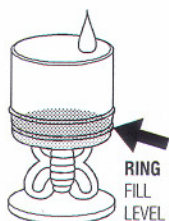
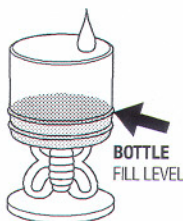
RING RECIPE: (back of card)

ORANGE = 3 drops of yellow, 2 drops of red, 5 drops of scent.

PURPLE = 2 drops of blue, 3 drops of red, 5 drops of scent.

GREEN = 2 drops of blue, 3 drops of yellow, 5 drops of scent.

2 Fill measuring cup with water or distilled water to the appropriate **FILL LEVEL**.



Follow steps 3 through 10. Refer to the recipe guide above for the correct number of drops to use when using the bottle or ring container.

After creating each scent container rinse reservoir and tubing. See rinsing instructions below.

RINSING INSTRUCTIONS

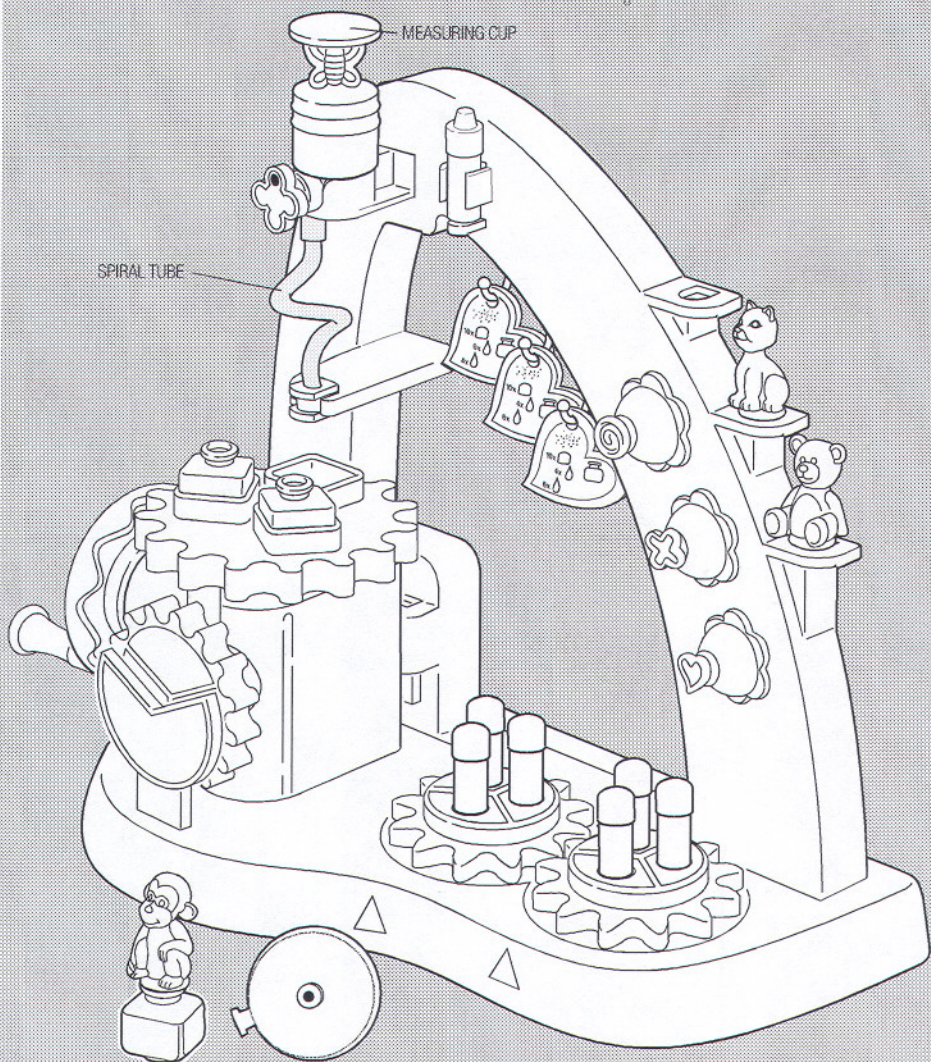
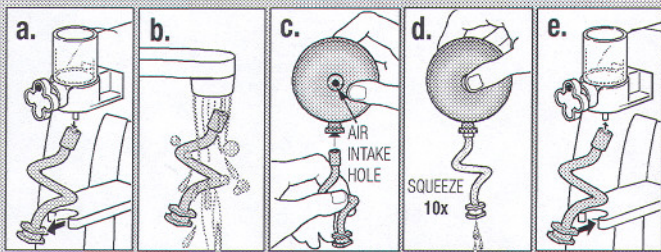
After each use rinse and dry all parts thoroughly.

- Rotate flower knob LEFT to close valve (flower knob dot positioned **UP**).
- Place empty scent container in slot on rotating stand and position under tubing.
- Fill measuring cup to the appropriate Fill Line with water or distilled water.
- Pour water into reservoir, then rotate flower knob RIGHT to open valve to flush out tube.
- Rotate flower knob LEFT to close valve (flower knob dot positioned **UP**).
- Discard water from container.

Now you are ready to create another scent!

Storage
Position
accessories
as illustrated.

- Remove spiral tube from unit.
- Rinse tube with soap (not included) and water. (Sink or tub area recommended.)
- Insert tube into bellows.
- While covering the air intake hole with a finger, squeeze the bellows 10x to remove droplets from the tube. (Shake away any remaining moisture, then allow to air dry thoroughly prior to storage.)
- Reattach spiral tube to unit.



NOTES:

- Use only ingredients that come with kit. Do not use other colorants or scents.
- Do not exceed more than 10 drops of colorant and 10 drops of scent for the bottle.
- Do not exceed more than 5 drops of colorant and 5 drops of scent for the ring.
- Before mixing new colorants, scents and glitter, rinse each part completely.
- All receptacles, tubes, etc. that come into contact with water should be cleaned and dried prior to storage.
- Use mild soap (not included) and water to remove colorants, scents or glitter from skin.

SAFETY TESTED.

NET WEIGHT:

SCENTS: 3 bottles total, Net Wt. 1.5 gm/1.5 ml each (@0.052 fl. oz).

COLORANTS: 3 bottles total, Net Wt. 1.5 gm/1.5 ml each (@0.052 fl. oz).

GLITTER: 1 bottle total, Net Wt. 1 gm (0.035 oz).

INGREDIENTS:

Rose Scent: Aqua (Water), Propylene Glycol, Parfum (Fragrance), Phenoxyethanol, Methylparaben, Benzophenone-4.

Violet Scent: Aqua (Water), Propylene Glycol, Parfum (Fragrance), Phenoxyethanol, Methylparaben, Benzophenone-4.

Spring Bouquet Scent: Aqua (Water), Propylene Glycol, Parfum (Fragrance), Phenoxyethanol, Methylparaben, Benzophenone-4.

Red Colorant: Aqua (Water), Propylene Glycol, Phenoxyethanol, Chlorphenesin, Glycerin, Methylparaben, Butylparaben, Ethylparaben, Propylparaben, Benzoic Acid, C.I. 17200 (D&C Red No. 33).

Blue Colorant: Aqua (Water), Propylene Glycol, Phenoxyethanol, Chlorphenesin, Glycerin, Methylparaben, Butylparaben, Ethylparaben, Propylparaben, Benzoic Acid, C.I. 42090 (FD&C Blue No. 1).

Yellow Colorant: Aqua (Water), Propylene Glycol, Phenoxyethanol, Chlorphenesin, Glycerin, Methylparaben, Butylparaben, Ethylparaben, Propylparaben, Benzoic Acid, C.I. 19140 (FD&C Yellow No. 5).

TWO YEAR LIMITED WARRANTY

Mattel, Inc. warrants to the original consumer purchaser that this product will be free of defects in material or workmanship for two years (unless specified in alternate warranties) from the date of purchase. If defective, return the product along with proof of the date of purchase, postage prepaid, to Consumer Relations, 636 Girard Avenue, East Aurora, New York 14052 for replacement or refund at our option. This warranty does not cover damage resulting from unauthorized modification, accident, misuse or abuse. In no event shall we be responsible for incidental, consequential, or contingent damages (except in those states that do not allow this exclusion or limitation). **Valid only in U.S.A.** This warranty gives you specific legal rights and you may also have other rights which vary from state to state. Some states do not allow the exclusion of incidental or consequential damages, so the above exclusions or limitations may not apply to you.

Send only the product to the address above. Send all correspondence to Consumer Relations, Mattel, Inc., 333 Continental Blvd., El Segundo, California 90245-5012, U.S.A. Or you may phone us toll-free at 1-800-524-TOYS, Monday — Friday, 8:00 a.m.— 6:00 p.m. EST. Outside U.S.A., see telephone directory for Mattel listing.



WARNING:

CHOKING HAZARD — Small parts.
Not for children under 3 years.

CONSUMER INFORMATION

MATTY MATTEL™ toys



YOU CAN TELL IT'S MATTEL!™ CALL us toll-free or write with any comments or questions about our products or service. Monday-Friday 8:00 a.m.-6:00 p.m. Eastern Time. Outside U.S.A., see telephone directory for Mattel listing.

Consumer Relations, Mattel, Inc.
333 Continental Blvd.
El Segundo, CA 90245 USA

1 (800) 524-TOYS

WE ARE DEDICATED TO QUALITY PRODUCTS.