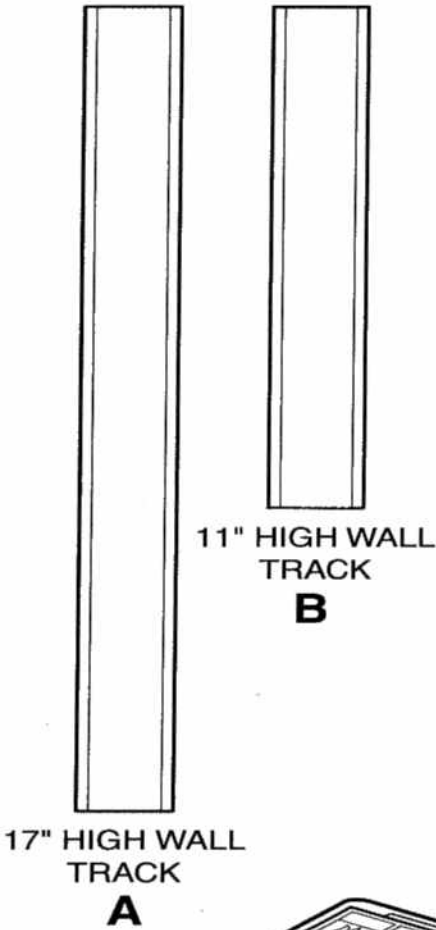




MOTORIZED STARTER SET

INSTRUCTIONS

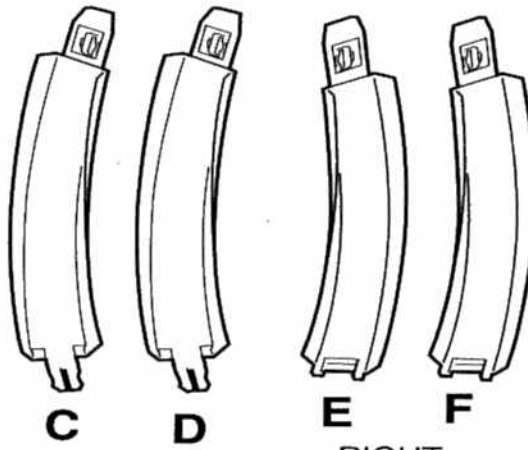
CONTENTS:



17" HIGH WALL TRACK
A

11" HIGH WALL TRACK
B

CURVE TRANSITIONS

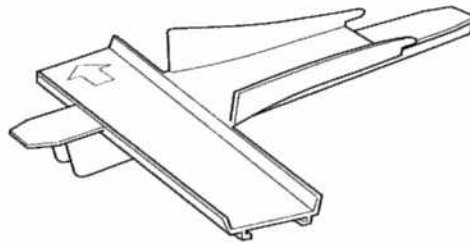


C
LEFT

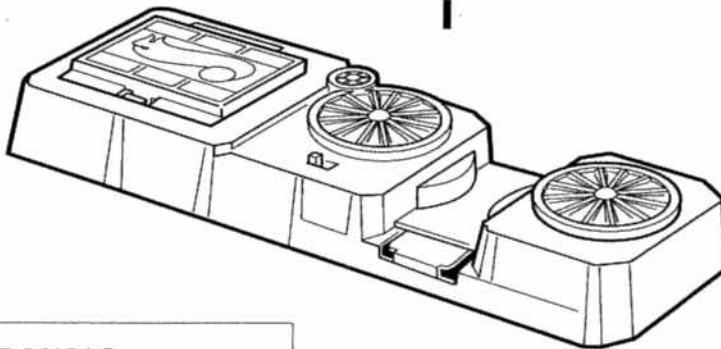
D

E
RIGHT

F



LOOP CONNECTION
I

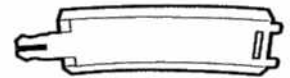


POWER CHARGER® BOOSTER

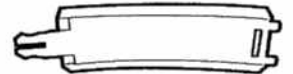


LABELS

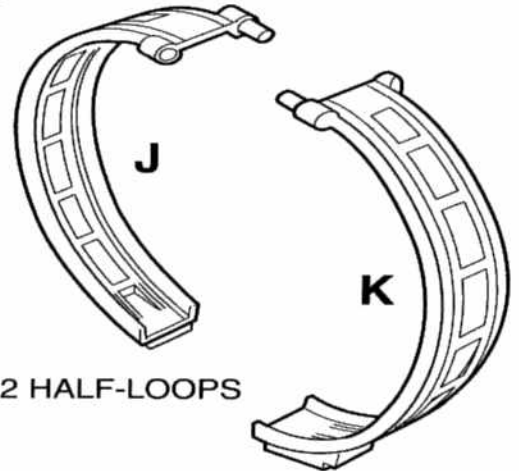
G



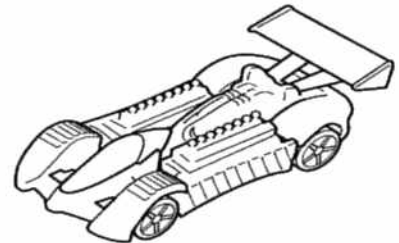
H



CURVES



2 HALF-LOOPS



HOT WHEELS® CAR



WARNING:

CHOKING HAZARD – Small parts.
Not for children under 3 years.



Requires 2 "D" size alkaline batteries (not included).

52575-0920

© 2001 Mattel, Inc., El Segundo, CA 90245 U.S.A. All Rights Reserved.

Mattel U.K. Ltd., Vanwall Business Park, Maidenhead SL6 4UB. Helpline 01628500303.

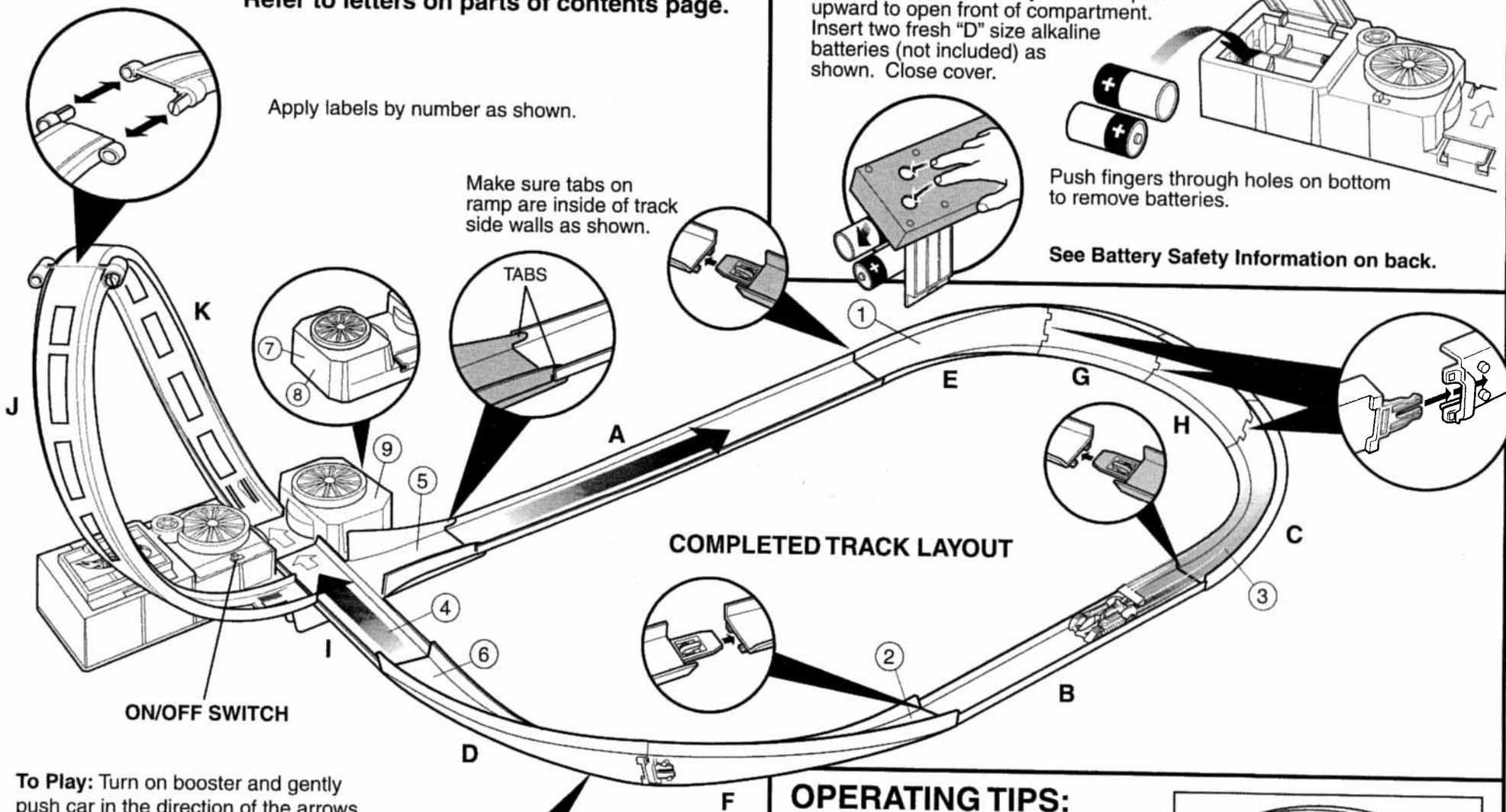
Mattel Australia Pty Ltd., Richmond, Victoria. 3121. Consumer Advisory Service 1800 800 812 (valid only in Australia).

ASSEMBLY:

Refer to letters on parts of contents page.

Apply labels by number as shown.

Make sure tabs on ramp are inside of track side walls as shown.



ON/OFF SWITCH

COMPLETED TRACK LAYOUT

To Play: Turn on booster and gently push car in the direction of the arrows through the booster.

Batteries should be changed when the booster cannot propel the cars through the set.

INSTALL BATTERIES

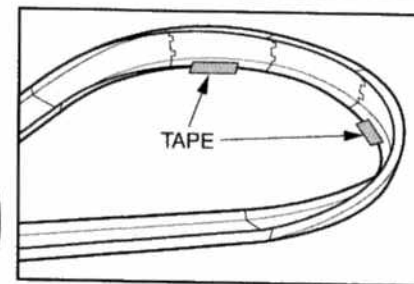
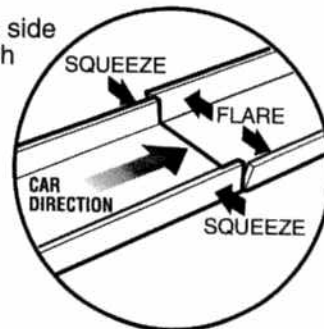
Press in at tab on battery door and pull upward to open front of compartment. Insert two fresh "D" size alkaline batteries (not included) as shown. Close cover.

Push fingers through holes on bottom to remove batteries.

See Battery Safety Information on back.

OPERATING TIPS:

Adjust track side walls at each connection point as shown.



On smooth surfaces tape down curve. On carpeted surfaces use books to hold base.

ALKALINE BATTERIES RECOMMENDED:

Toy may not function or operate with other types of batteries.

BATTERY SAFETY INFORMATION:

1. Non-rechargeable batteries are not to be recharged.
2. Rechargeable batteries are to be removed from the product before they are charged.
3. If removable rechargeable batteries are used, they are only to be charged under adult supervision.
4. Do not mix alkaline, standard (carbon-zinc), or rechargeable (nickel-cadmium) batteries.
5. Do not mix old batteries and new batteries.
6. Only batteries of the same or equivalent type as recommended are to be used.
7. Be sure to insert batteries with the correct polarities and always follow the toy and battery manufacturers' instructions.
8. Exhausted batteries are to be removed from the product.
9. The supply terminals are not to be short-circuited.
10. Dispose of batteries safely. Do not dispose of in a fire as batteries may explode or leak.

CONSUMER INFORMATION

MATTY MATTEL™ TOYS  **YOU CAN TELL IT'S MATTEL!™** Call us toll-free or write with any comments or questions about our products or service. Monday-Friday, 8:00 a.m.-6:00 p.m. Eastern Time. Outside U.S.A., see telephone directory for Mattel listing. Consumer Relations, Mattel, Inc., 333 Continental Blvd., El Segundo, CA 90245 U.S.A.

1 (800) 524-TOYS

CONFORMS TO THE SAFETY
REQUIREMENTS OF ASTM F963.

We are dedicated to quality products.

Keep these instructions for future reference, as they contain important information.

2-YEAR LIMITED WARRANTY

Mattel, Inc. warrants to the original consumer purchaser that this product will be free of defects in material or workmanship for two years (unless specified in alternate warranties) from the date of purchase. If defective, return the product along with proof of the date of purchase, postage prepaid, to Consumer Relations, 636 Girard Avenue, East Aurora, New York 14052 for replacement or refund at our option. This warranty does not cover damage resulting from unauthorized modification, accident, misuse, or abuse. In no event shall we be responsible for incidental, consequential, or contingent damages (except in those states that do not allow this exclusion or limitation). **Valid only in U.S.A.** This warranty gives you specific legal rights and you may also have other rights which vary from state to state. Some states do not allow the exclusion of incidental or consequential damages, so the above limitations may not apply to you.

Send only the product to the address above. Send all correspondence to Consumer Relations, Mattel, Inc., 333 Continental Blvd., El Segundo, California 90245-5012, U.S.A. Or you may phone us toll-free at 1-800-524-TOYS, Monday-Friday, 8:00 a.m.-6:00 p.m. Eastern Time. See telephone directory for Mattel listing.