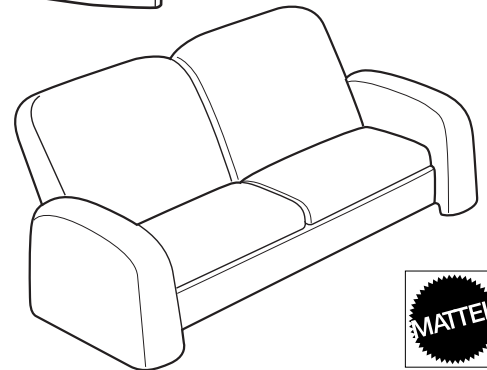
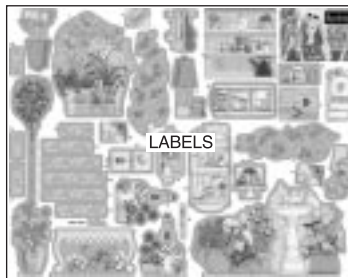
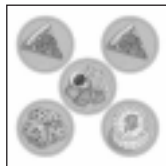
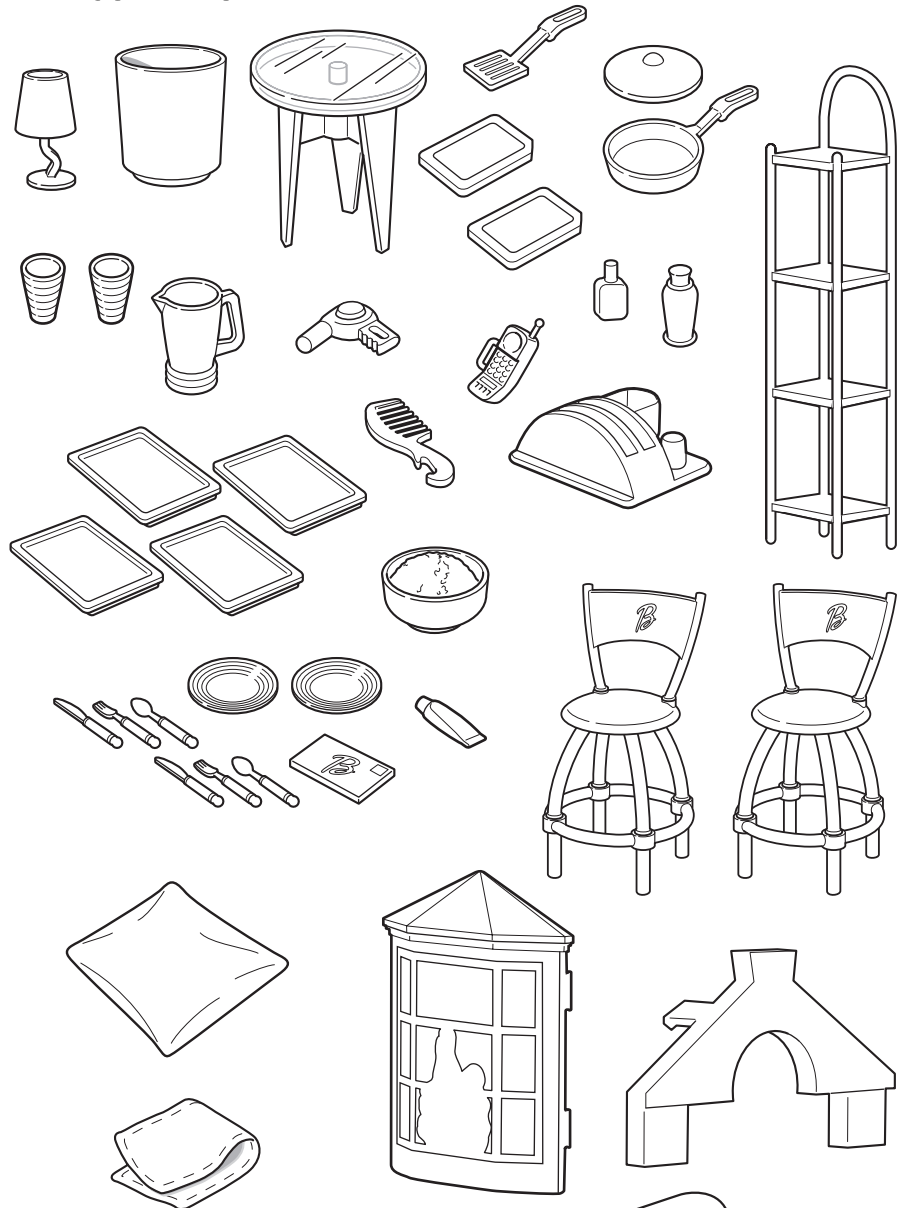
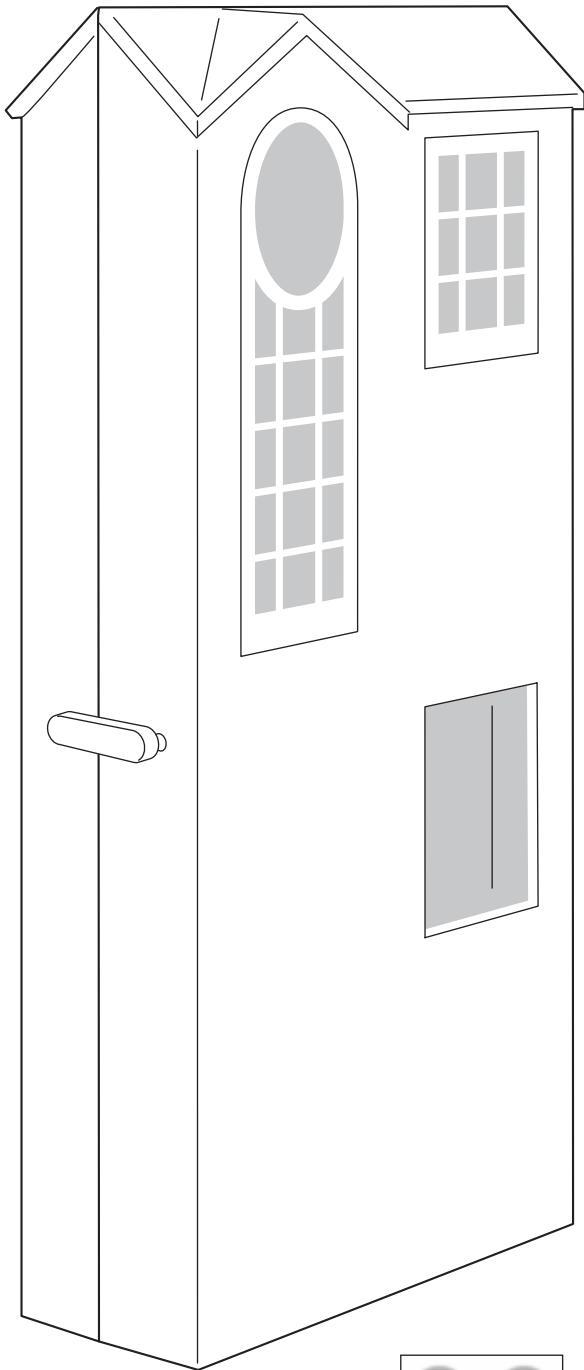


Barbie Talking Townhouse™

INSTRUCTIONS CONTENTS



53967-0920-G1

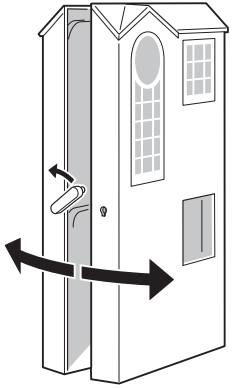
Requires 3 AA alkaline batteries, not included.

Please remove everything from the package and compare to the contents shown here. If any items are missing, please call 1-800-524-TOYS.

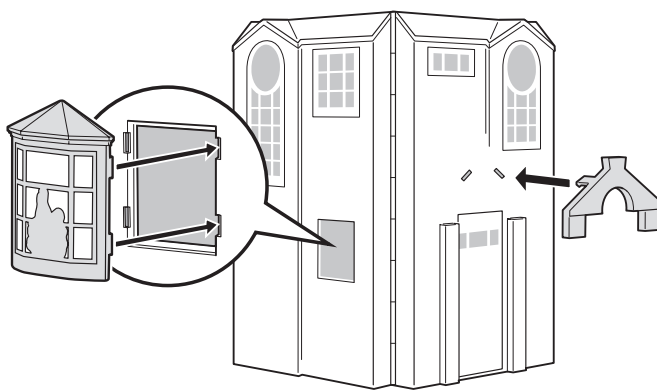
Keep these instructions for future reference as they contain important information.

Setting up the house

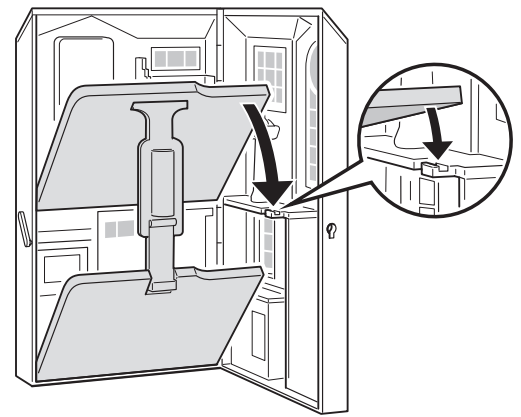
1. Undo the hook on the side and open out the house as shown.



2. Install the Kitchen Bay window and Entry Door gable.

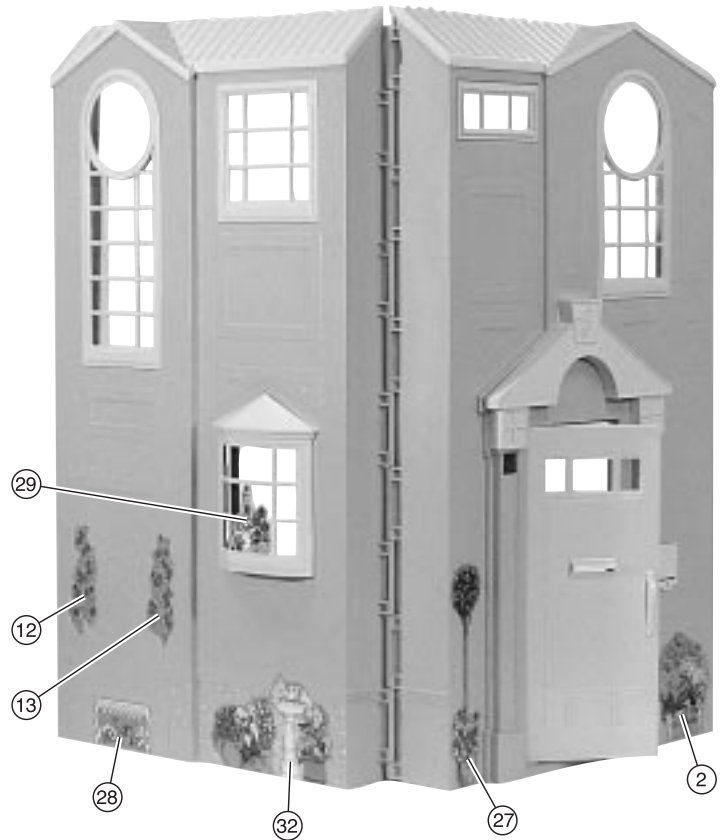
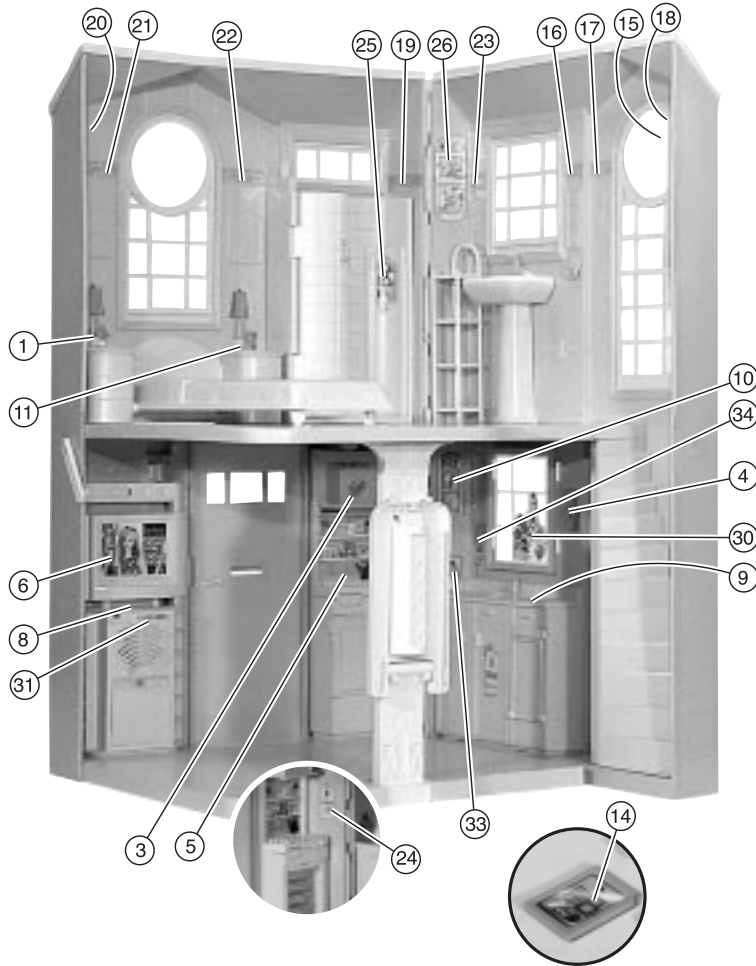


3. Lower down the floors, and secure with the hook on the second floor, right side.



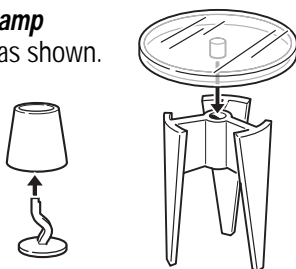
Labels

Apply by number as shown.



Small Table and Lamp

Put together each as shown.

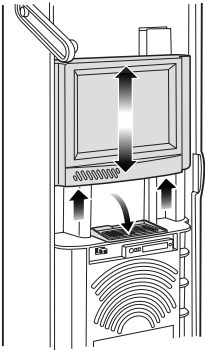


The front door opens out.

Television Room

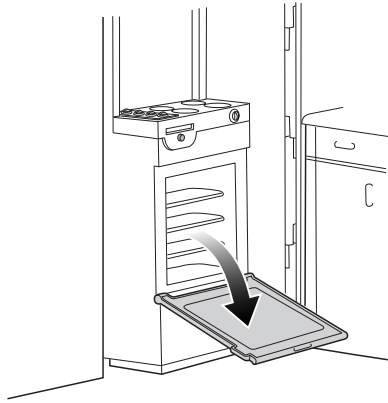
The television moves up or down.

When the TV is up, the keyboard is revealed. Lower the keyboard.



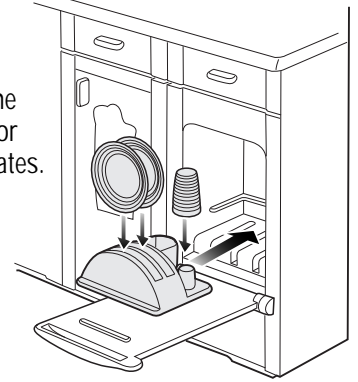
Kitchen

The oven front opens.



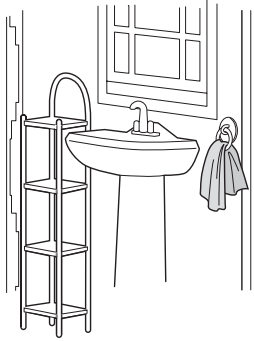
The dishwasher front opens.

Use the rack for the plates.



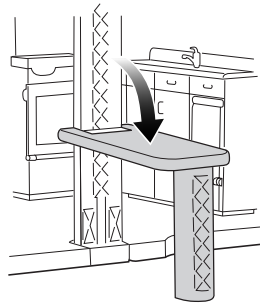
Bathroom

Place the shelves by the sink, and store the towel on the shelves or on the towel ring.

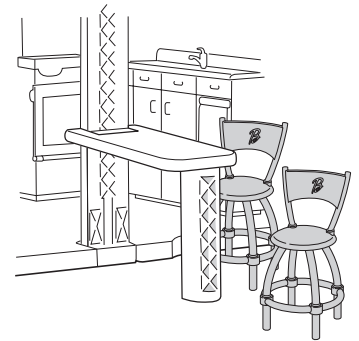


Bar Table

Lower the table, using the support on the end.

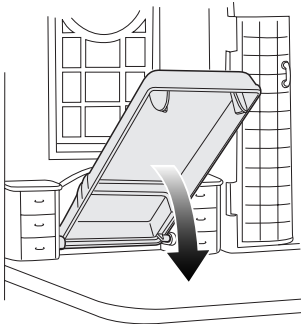


Place the bar stools by the table.



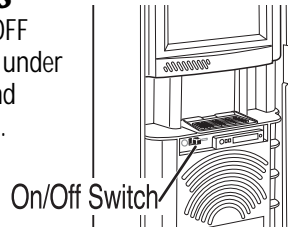
Bedroom

Lower the bed.



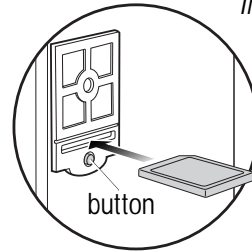
Sounds

The ON/OFF switch is under the TV and keyboard.



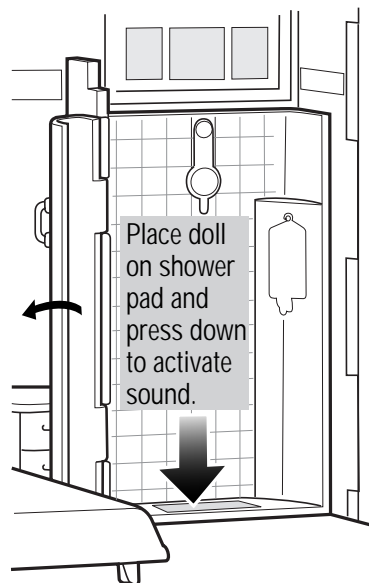
Front Door

Insert card or press button to activate sound. Inside the house, the light by the door goes on.



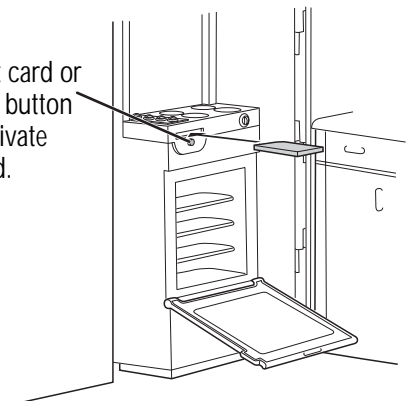
Shower

Open out the side of the shower first.



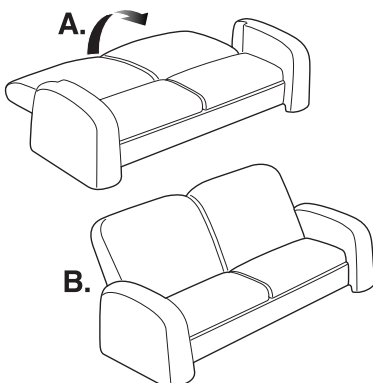
Oven in kitchen

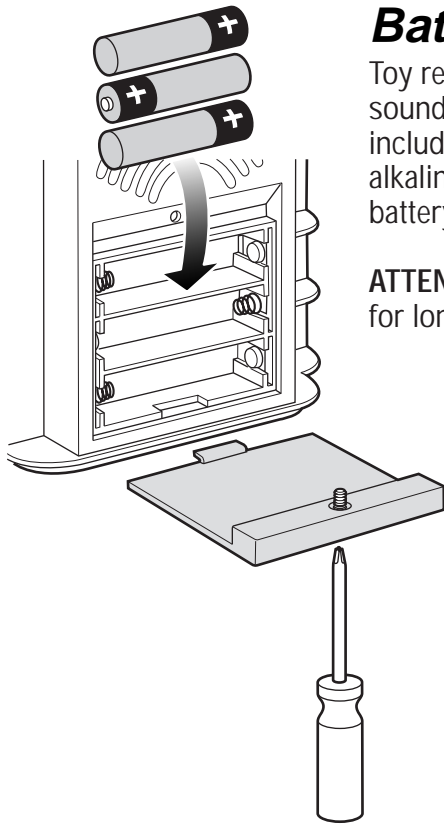
Insert card or press button to activate sound.



Sofa

The back of the sofa swings up.





Battery Installation

Toy requires 3 AA alkaline batteries or LR6 alkaline batteries. Replace battery when sounds becomes distorted. To replace battery, use a Phillips head screwdriver (not included) to open battery door. Remove and set aside. Insert 3 replaceable 3 AA or LR6 alkaline batteries as shown. Use either AA or LR6 alkaline battery or equivalent. Replace battery cover and screw closed.

ATTENTION: Non-alkaline battery may not power this toy. Replace with alkaline battery for longest life and best performance.

BATTERY SAFETY INFORMATION:

1. Non-rechargeable batteries are not to be recharged.
2. Rechargeable batteries are to be removed from the toy before being charged.
3. Rechargeable batteries are only to be charged under adult supervision.
4. Do not mix alkaline, standard (carbon-zinc), or rechargeable (nickel-cadmium) batteries.
5. Do not mix old and new batteries
6. Only batteries of the same or equivalent type as recommended are to be used.
7. Batteries are to be inserted with the correct polarity.
8. Exhausted batteries are to be removed from the toy.
9. The supply terminals are not to be short-circuited.
10. Dispose of batteries safely.
11. Do not dispose of in fire as batteries may explode or leak.

TWO YEAR LIMITED WARRANTY

Mattel, Inc. warrants to the original consumer purchaser that this product will be free of defects in material or workmanship for two years (unless specified in alternate warranties) from the date of purchase. If defective, return the product along with proof of the date of purchase, postage prepaid, to Consumer Relations, 636 Girard Avenue, East Aurora, New York 14052 for replacement or refund at our option. This warranty does not cover damage resulting from unauthorized modification, accident, misuse or abuse. In no event shall we be responsible for incidental, consequential, or contingent damages (except in those states that do not allow this exclusion or limitation). **VALID ONLY IN U.S.A.** This warranty gives you specific legal rights and you may also have other rights which vary from state to state. Some states do not allow the exclusion of incidental or consequential damages, so the above exclusions or limitations may not apply to you.

Send only the product to the address above. Send all correspondence to Consumer Relations, Mattel, Inc., 333 Continental Blvd., El Segundo, California 90245-5012 U.S.A. Or you may phone us toll-free at 1-800-524-TOYS, Monday – Friday, 8:00 a.m. – 6:00 p.m. EST. Outside U.S.A., see telephone directory for Mattel listing.

CONSUMER INFORMATION

MATTY MATTEL™ Toys



YOU CAN TELL IT'S MATTTEL!™ CALL us toll-free or write with any comments or questions about our products or service. Monday-Friday 8:00 a.m.-6:00 p.m. Eastern Time. Outside U.S.A., see telephone directory for Mattel listing.

Consumer Relations, Mattel, Inc.
333 Continental Blvd.
El Segundo, CA 90245 USA

1 (800) 524-TOYS

WE ARE DEDICATED TO QUALITY PRODUCTS.



WARNING:

CHOKING HAZARD – Small parts.
Not for children under 3 years.