

Barbie® Styling Stable™ & Baby Horse Playset

INSTRUCTIONS

CONTENTS



Please remove everything from the package and compare to the contents shown here. If any items are missing, please call 1-800-524-TOYS.

Keep these instructions for future reference as they contain important information.

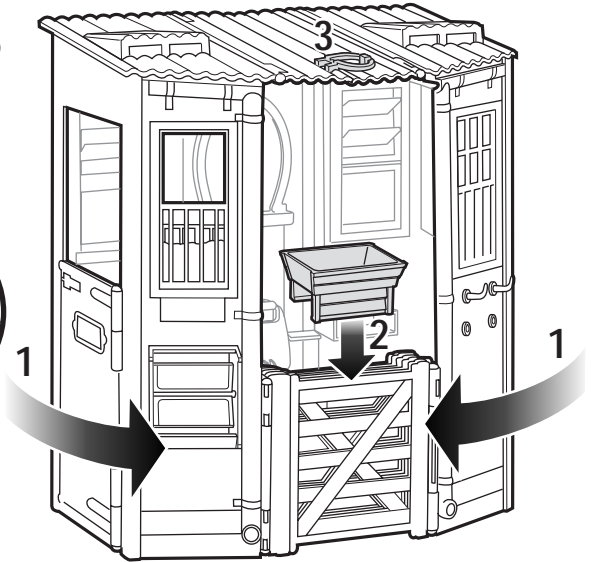
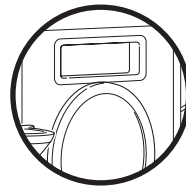


54253-0920-G1

AFTER PLAY

1. Close the stable and fold up the fence.
2. Secure the fence with the trough.
3. Use the horse shoe latch to hold together the roof.

The stable can be carried with the handle. Loose items cannot be enclosed inside and carried.



Water toys sometimes get messy. Protect play surfaces before use. Drain, rinse, clean and dry all items thoroughly before storing. Overfilling of water trough may cause leakage.

TWO YEAR LIMITED WARRANTY

Mattel, Inc. warrants to the original consumer purchaser that this product will be free of defects in material or workmanship for two years (unless specified in alternate warranties) from the date of purchase. If defective, return the product along with proof of the date of purchase, postage prepaid, to Consumer Relations, 636 Girard Avenue, East Aurora, New York 14052 for replacement or refund at our option. This warranty does not cover damage resulting from unauthorized modification, accident, misuse or abuse. In no event shall we be responsible for incidental, consequential, or contingent damages (except in those states that do not allow this exclusion or limitation). **VALID ONLY IN U.S.A.** This warranty gives you specific legal rights and you may also have other rights which vary from state to state. Some states do not allow the exclusion of incidental or consequential damages, so the above exclusions or limitations may not apply to you.

Send only the product to the address above. Send all correspondence to Consumer Relations, Mattel, Inc., 333 Continental Blvd., El Segundo, California 90245-5012 U.S.A. Or you may phone us toll-free at 1-800-524-TOYS, Monday – Friday, 8:00 a.m. – 6:00 p.m. EST. Outside U.S.A., see telephone directory for Mattel listing.

CONSUMER INFORMATION

MATTY MATTEL™ toys



YOU CAN TELL IT'S MATTEL!™ CALL us toll-free or write with any comments or questions about our products or service. Monday-Friday 8:00 a.m. - 6:00 p.m. Eastern Time. Outside U.S.A., see telephone directory for Mattel listing.

Consumer Relations, Mattel, Inc.
333 Continental Blvd.
El Segundo, CA 90245 USA

1 (800) 524-TOYS

WE ARE DEDICATED TO QUALITY PRODUCTS.

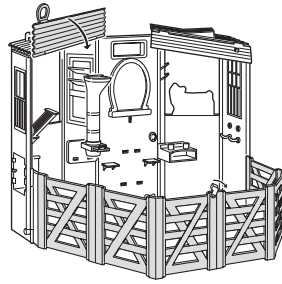
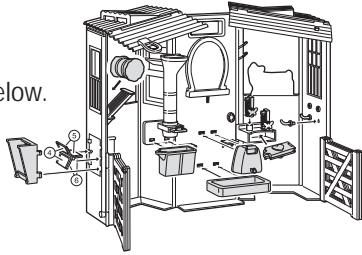
⚠ WARNING:
CHOKING HAZARD – Small parts.
Not for children under 3 years.

OPEN THE STABLE

1. Unfold fence, open out as shown, and secure together with the flip over latch.
2. Position the roof fronts as shown. These roof fronts can also be positioned up or down.

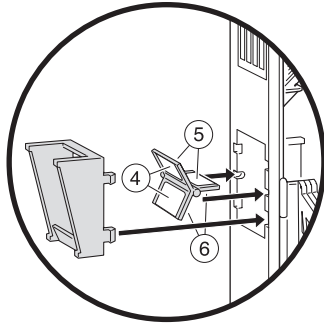
ASSEMBLY

See the close up views below.

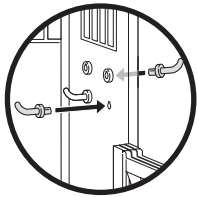


1. Install sink.
2. Install water trough.

3. Apply labels on Trough Roller as shown.
4. Install into position. It rotates.
5. Install Trough Cover by snapping in as shown.

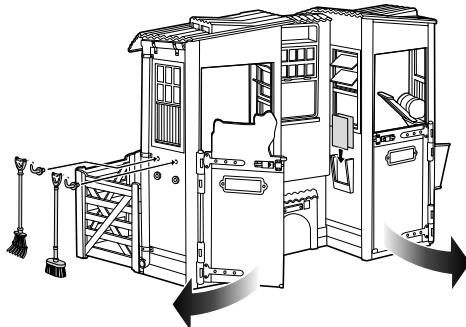


6. Place hay into hay holder.



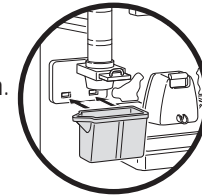
8. Install hooks, 2 outside and 2 inside.

9. Hanging rake, broom, bucket, and lantern on the hooks.

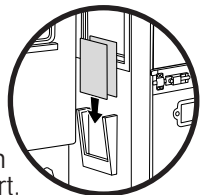


10. Left door opens out.
11. Right door opens out.

12. Menu baskets can hold chip art.

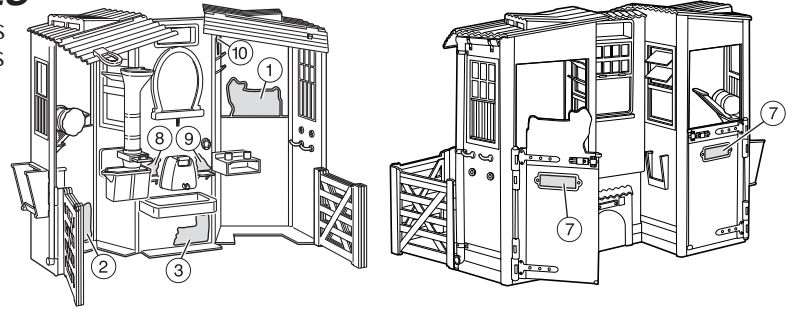


7. Install feed trough.



LABELS

Apply labels on stable as shown.

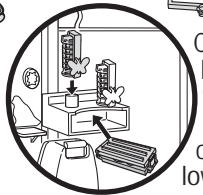
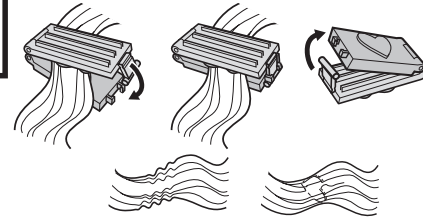


MANE STYLING



Crimper and curlers can be used on the short quick curl bangs on the mane. The Crimper is reversible and impresses a heart shape or crimp lines.

Hair clips simply clip onto the mane or tail.

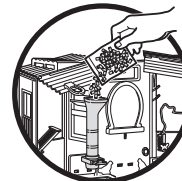


Curlers can be stored on the vanity posts and crimper and crimper in lower compartment.



After MANE STYLING

Baby Horse pushes the button by the mirror's right side, and the mirror lowers for Baby Horse to see how pretty she is! Hidden birds are revealed.



FEED DISPENSER

1. Put pellets into feed dispenser.
2. Baby Horse or child can slide out the feed release to empty pellets into food trough.

The feed dispenser can be refilled by removing the food trough and pouring the pellets back into the feed dispenser. Be sure to slide the feed release in first.



WATER TROUGH

1. Remove the water trough. Fill with water, and reinstall the trough.
2. Baby Horse presses on lever, and water flows into the sink. Sink may be removed to empty water.



HOLDING ITEMS

Baby Horse can hold items with her mouth.