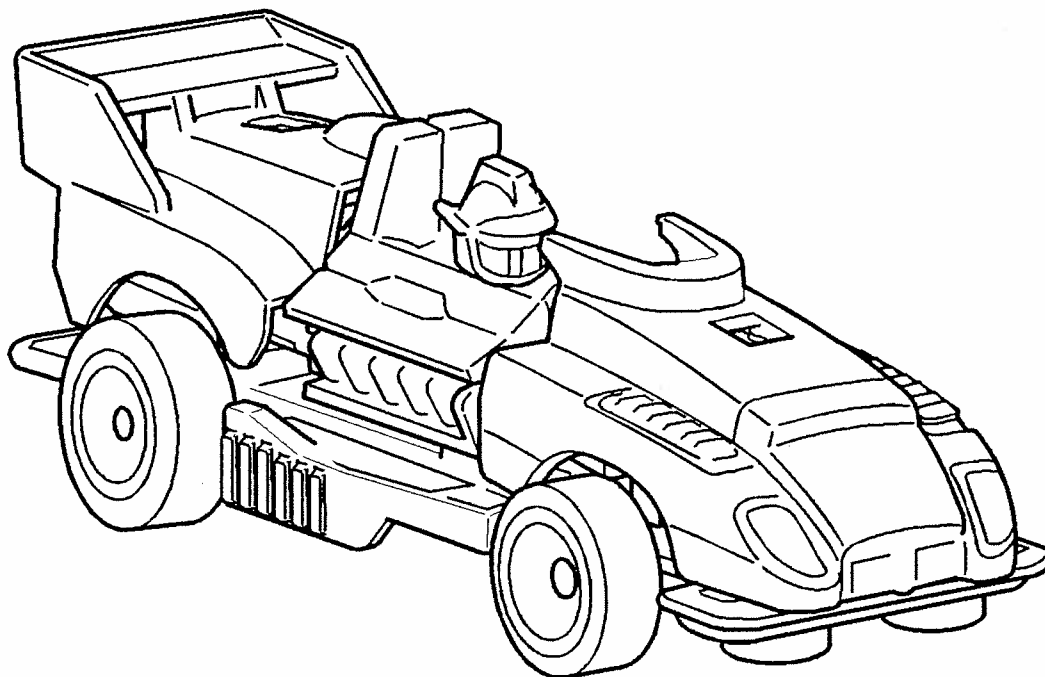



Contents:

- 1 Robot
- 1 Chassis
- 2 Body panels/shields (except for 55213, 55220)
- 2 Weapons

INSTRUCTIONS



 **WARNING:**
CHOKING HAZARD – Small parts.
Not for children under 3 years.

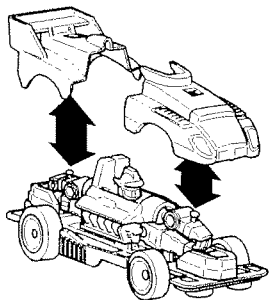
54500-0920



For ages over 5 years.

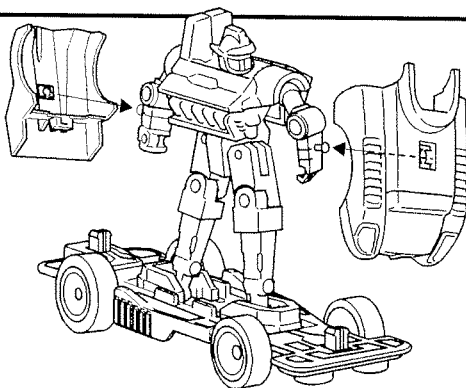
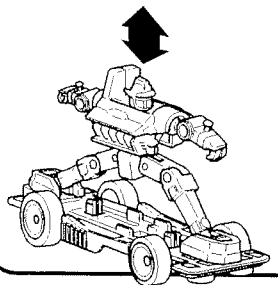
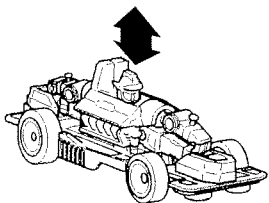
Keep these instructions for future reference as they contain important information.

To Play

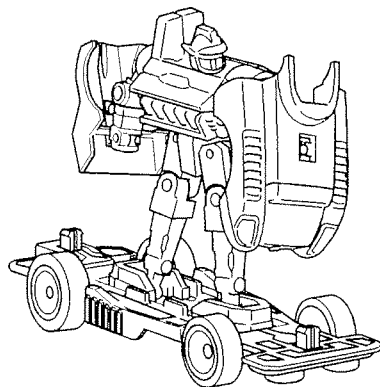


To disassemble pull off outer body shell and pull up robot.

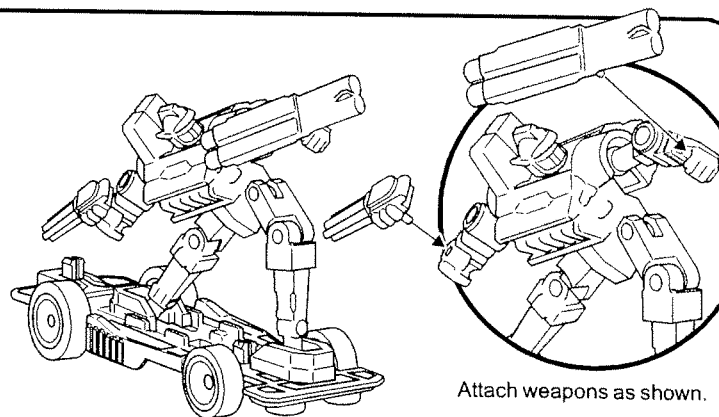
To assemble push robot down and snap on shields.



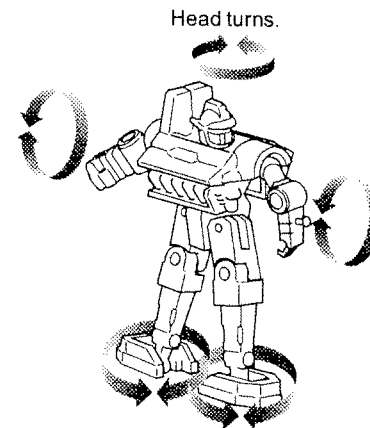
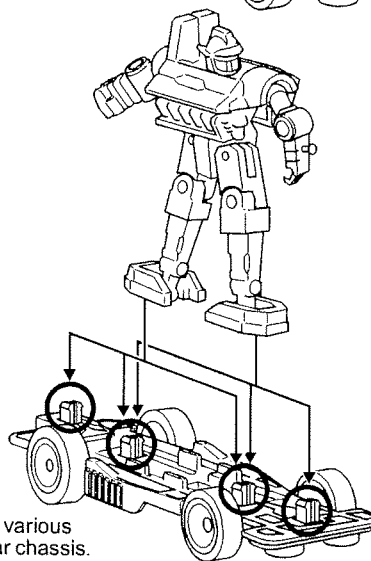
Use outer body shell as shields, attach as shown.



Snap feet onto the various positions on the car chassis.



Attach weapons as shown.



Head turns.

Robot arms and legs swivel and bend into any position.

Visit www.hotwheels.com for the entire Robo Wheels Story.

CONSUMER INFORMATION

MATTY MATTEL™ TOYS



YOU CAN TELL IT'S MATTEL! Call us toll-free or write with any comments or questions about our products or service. Monday-Friday, 8:00 a.m.-6:00 p.m. Eastern Time. Outside U.S.A., see telephone directory for Mattel listing. Consumer Relations, Mattel, Inc., 333 Continental Blvd., El Segundo, CA 90245 U.S.A.

1 (800) 524-TOYS



CONFORMS TO THE SAFETY
REQUIREMENTS OF ASTM F963.

We are dedicated to quality products.

Not for use with some Hot Wheels® track sets.