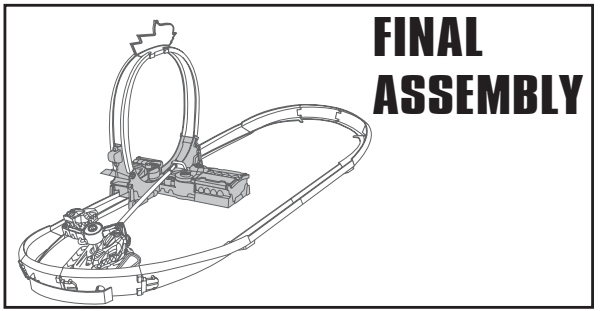


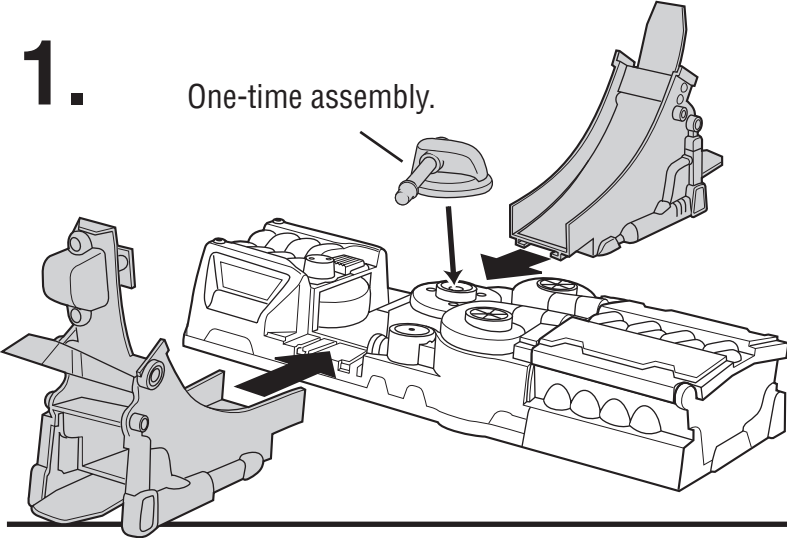
ASSEMBLY

FINAL ASSEMBLY

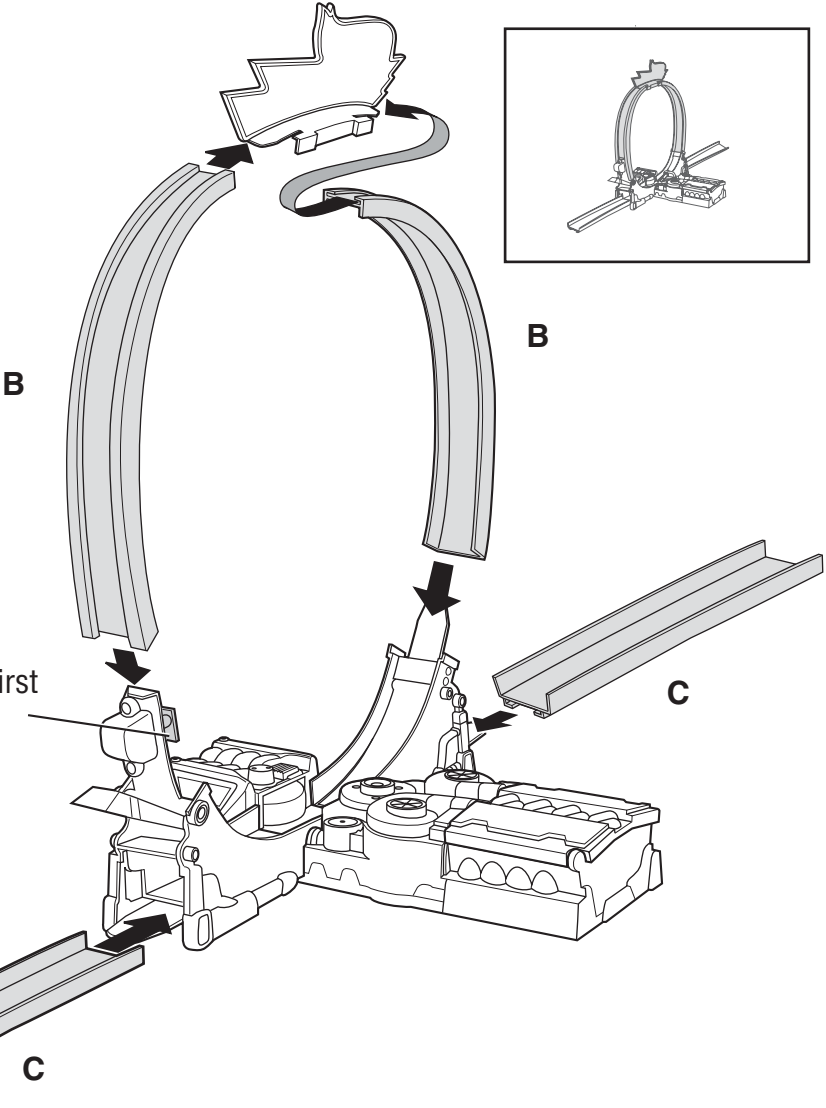


1.

One-time assembly.



2.



B

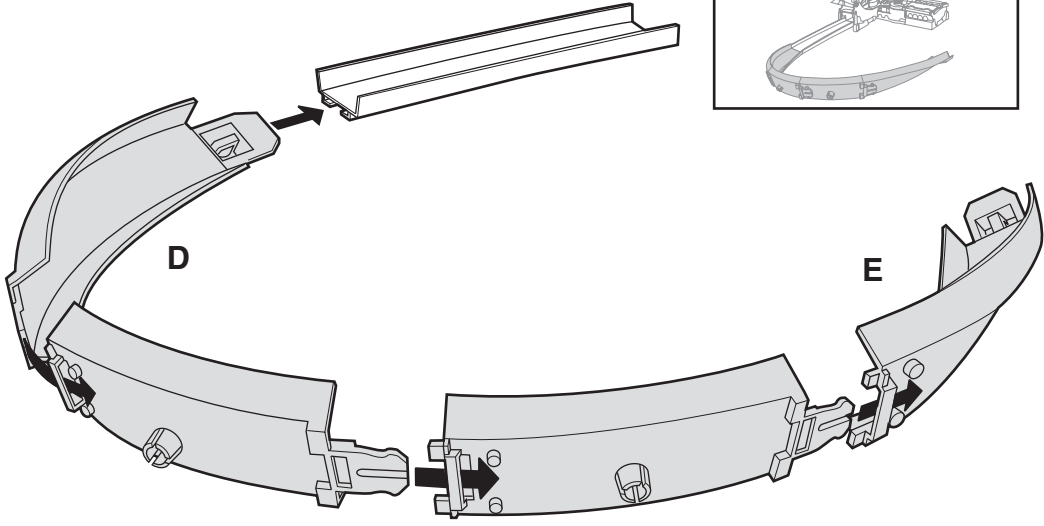
B

Push in lever first
to attach loop
track.

C

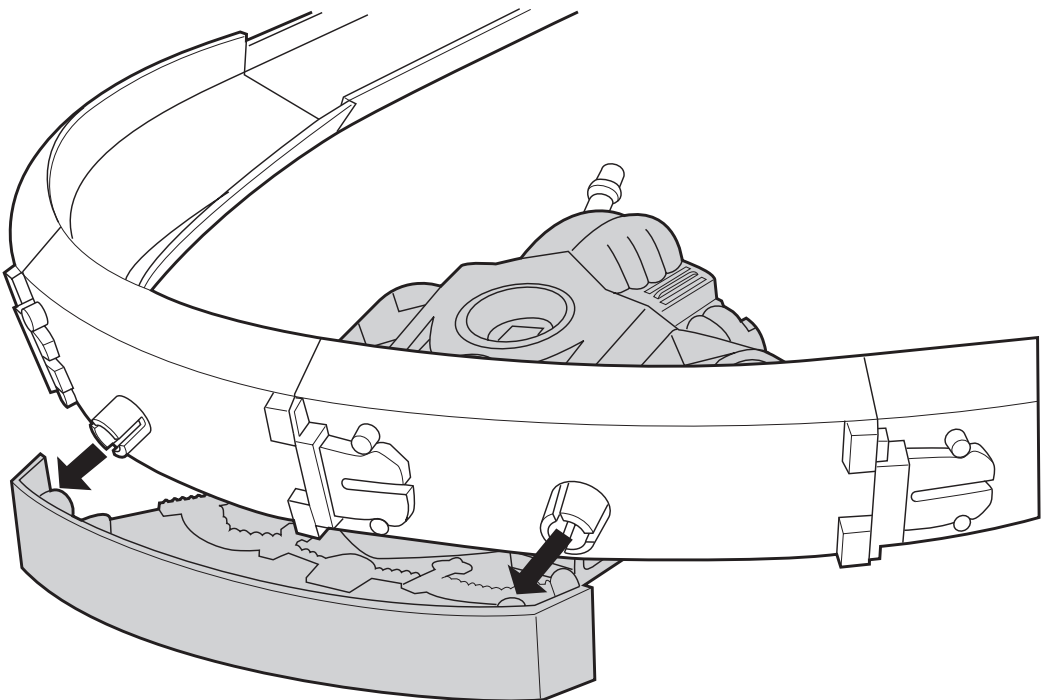
C

3.

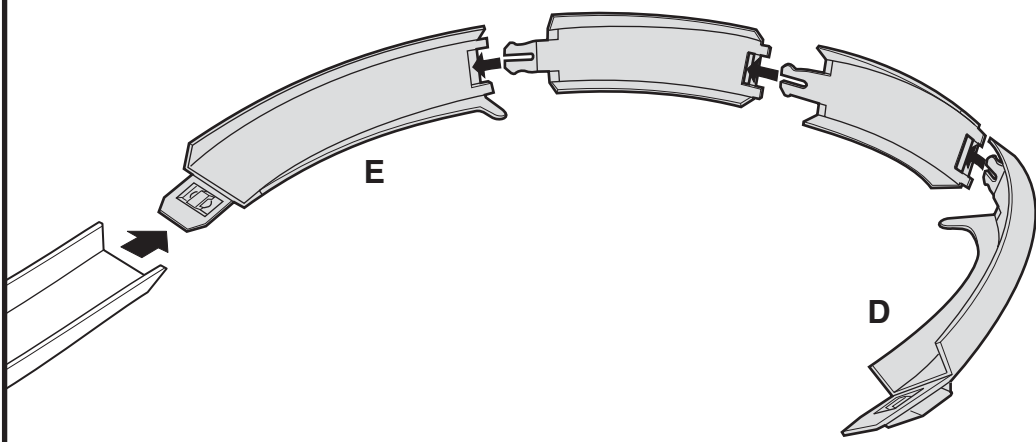
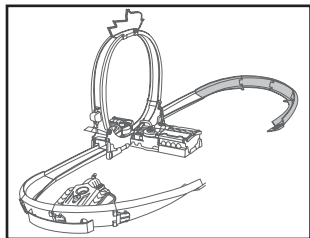


Note the direction of curves D and E.

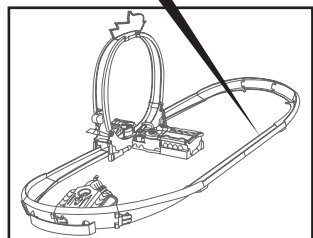
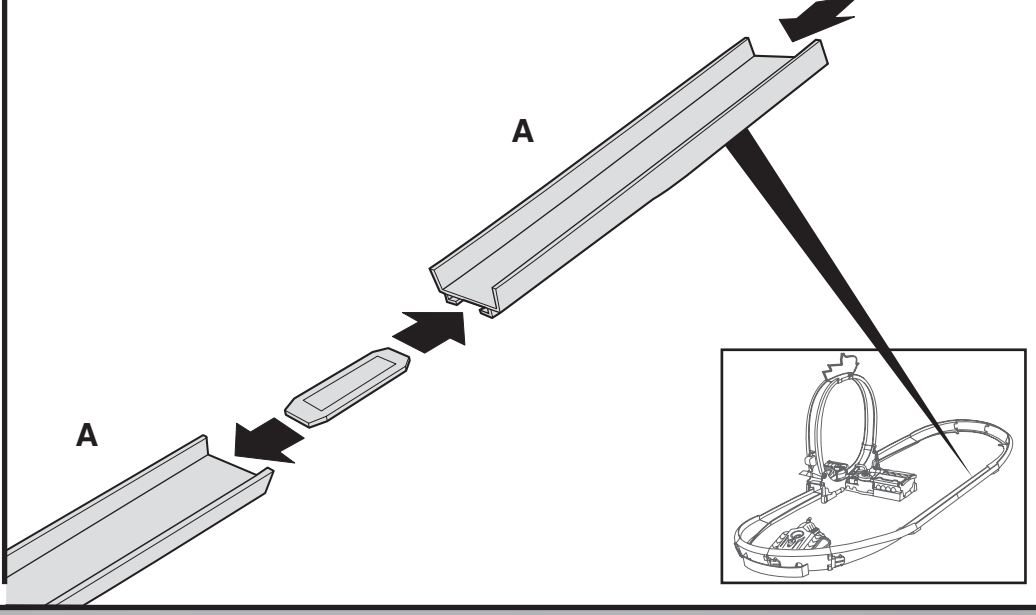
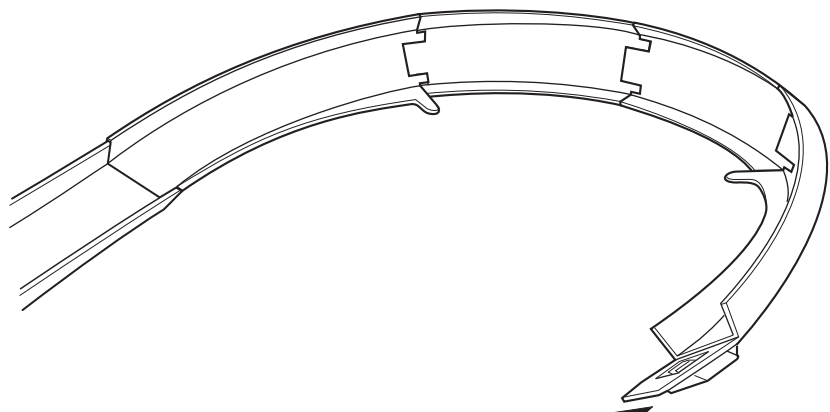
4.



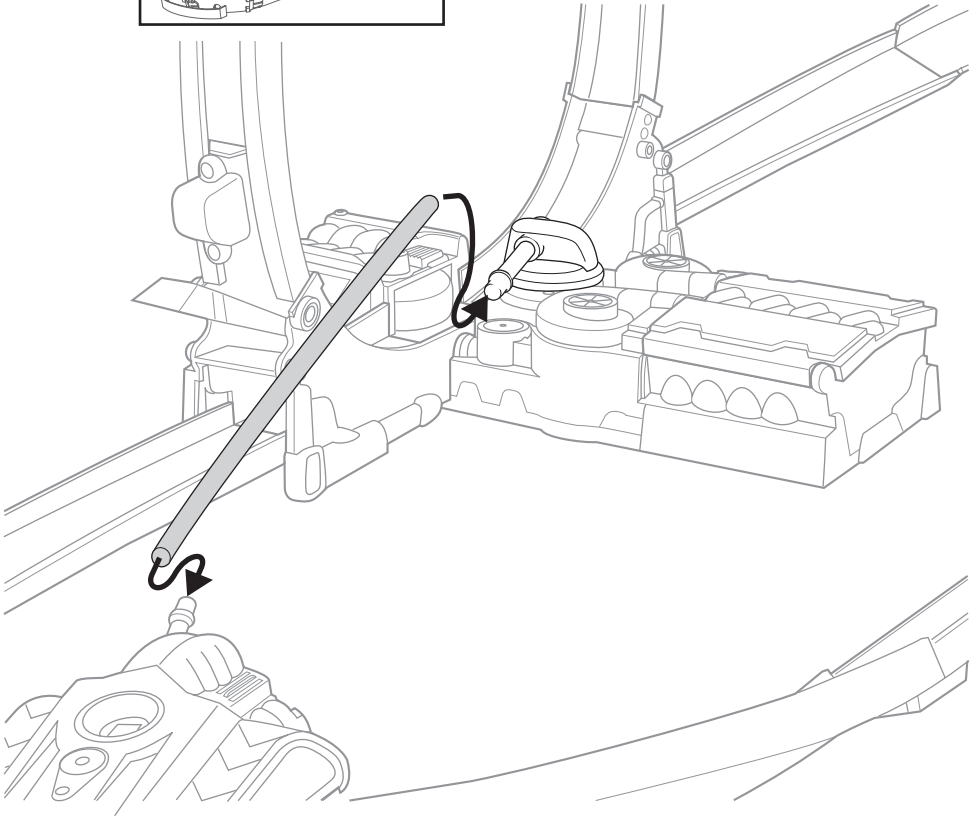
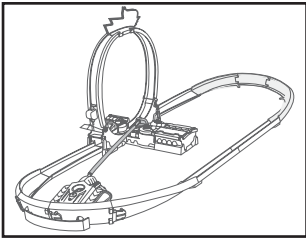
5.



6.

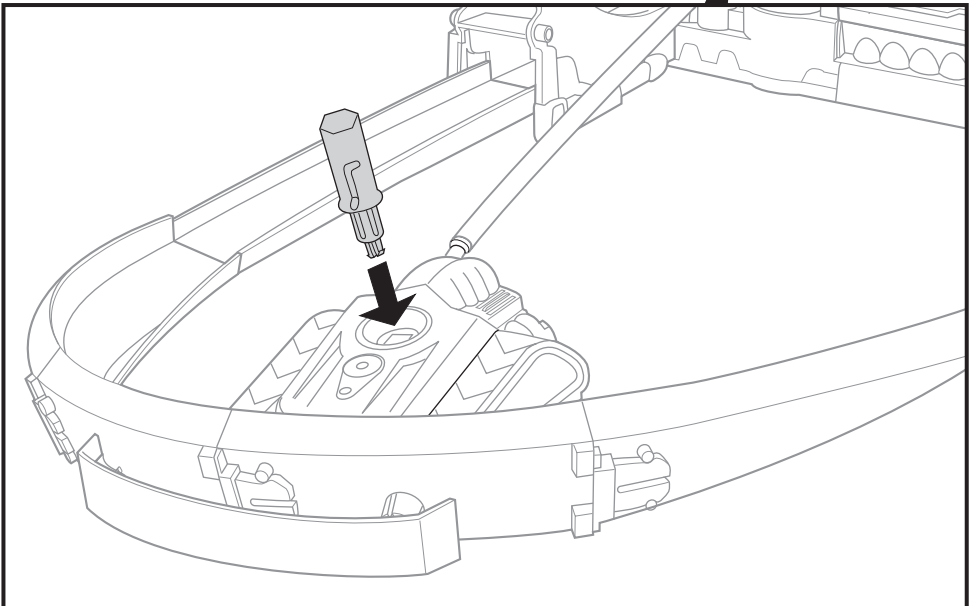
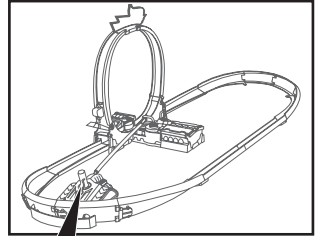


7.

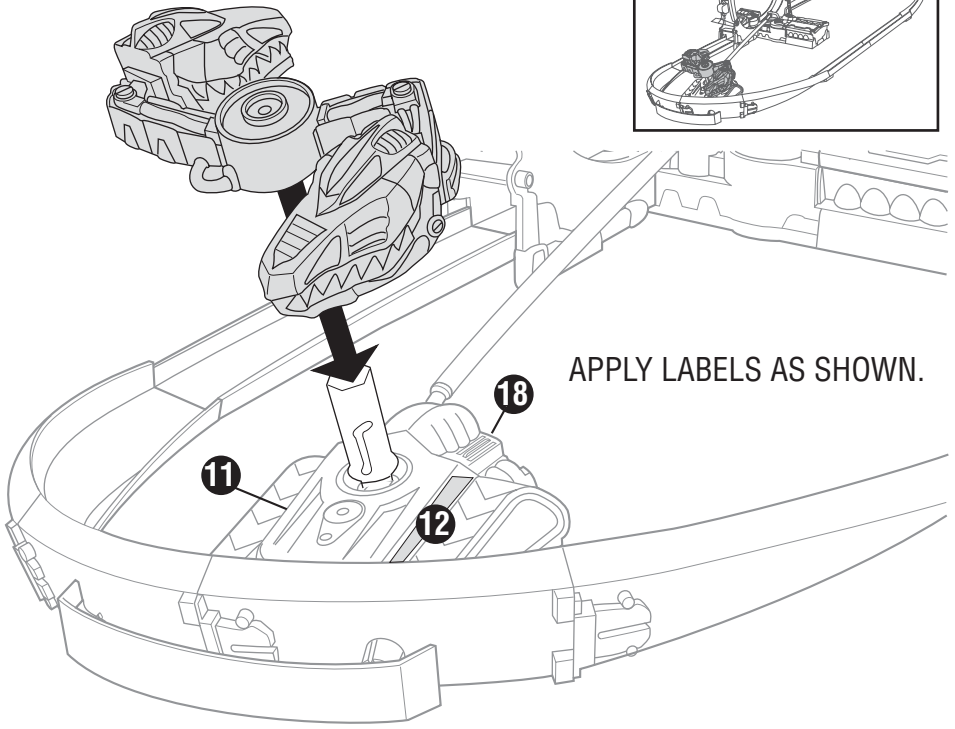


8.

One-time assembly.



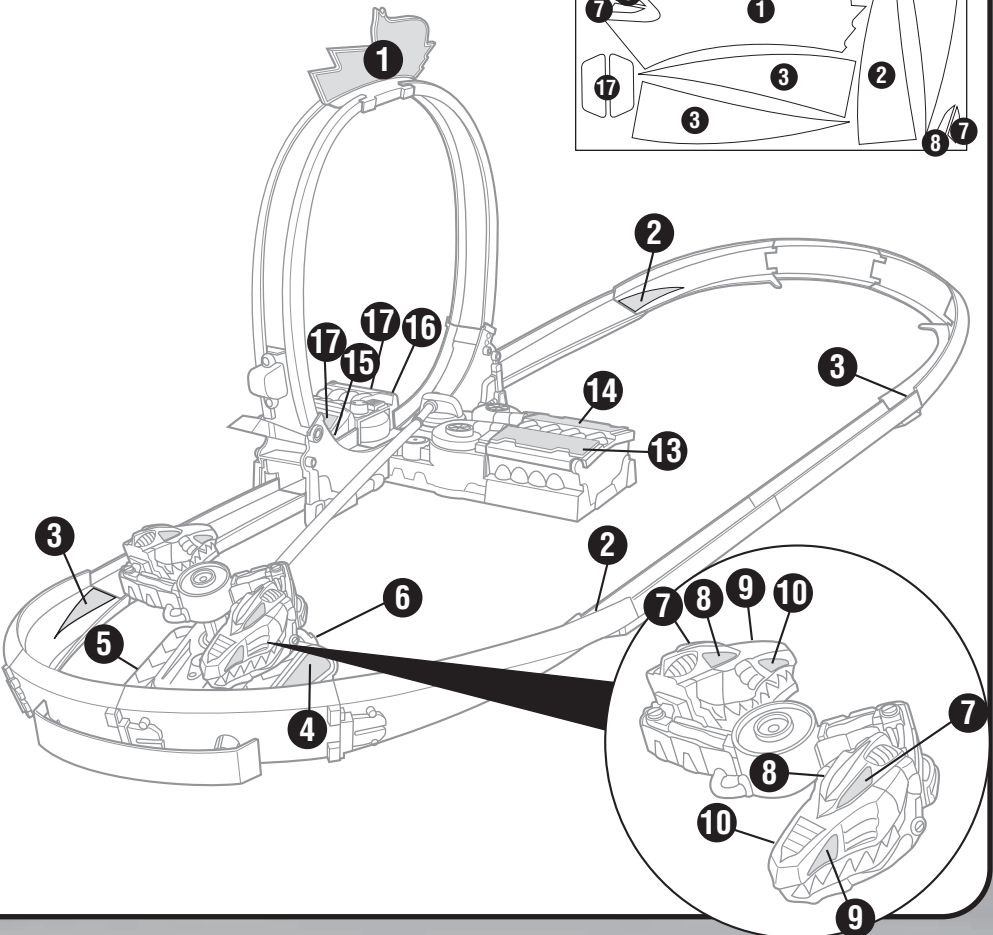
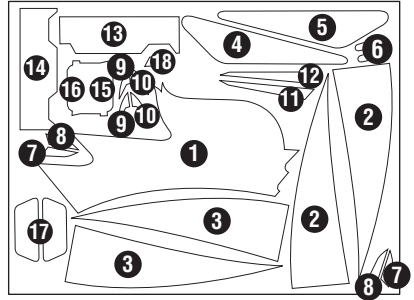
9.



APPLY LABELS AS SHOWN.

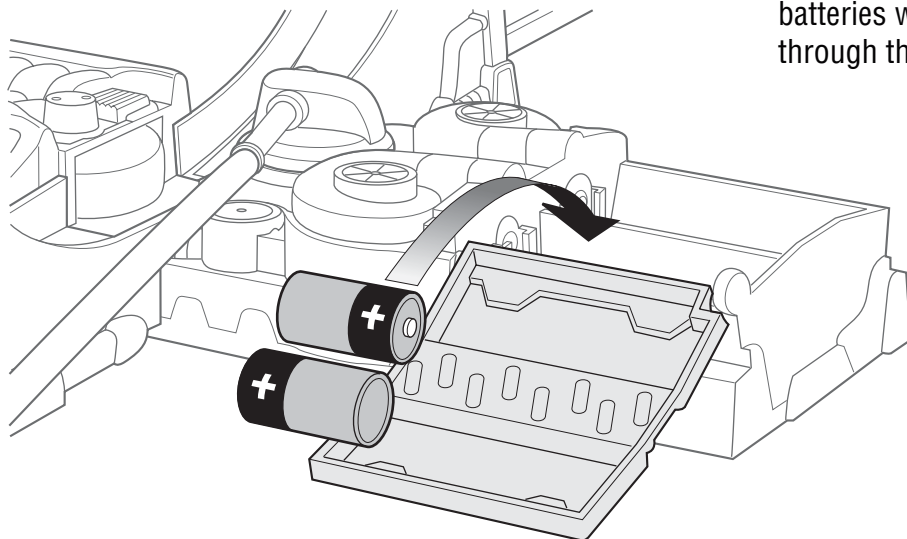
10.

APPLY LABELS AS SHOWN.



INSTALL BATTERIES

Lift battery door and pull upward to open compartment. Insert two “D” size alkaline batteries (not included) in the orientation shown. Close cover. Replace the batteries when the booster no longer propels the car through the set.



Battery Safety Information

In exceptional circumstances batteries may leak fluids that can cause a chemical burn injury or ruin your product. To avoid battery leakage:

- Non-rechargeable batteries are not to be recharged.
- Rechargeable batteries are to be removed from the product before being charged (if designed to be removable).
- Rechargeable batteries are only to be charged under adult supervision (if designed to be removable).
- Do not mix alkaline, standard (carbon-zinc), or rechargeable (nickel-cadmium) batteries.
- Do not mix old and new batteries.
- Only batteries of the same or equivalent type as recommended are to be used.

- Batteries are to be inserted with the correct polarity.
- Exhausted batteries are to be removed from the product.
- The supply terminals are not to be short-circuited.
- Dispose of battery(ies) safely.
- Do not dispose of this product in a fire. The batteries inside may explode or leak.

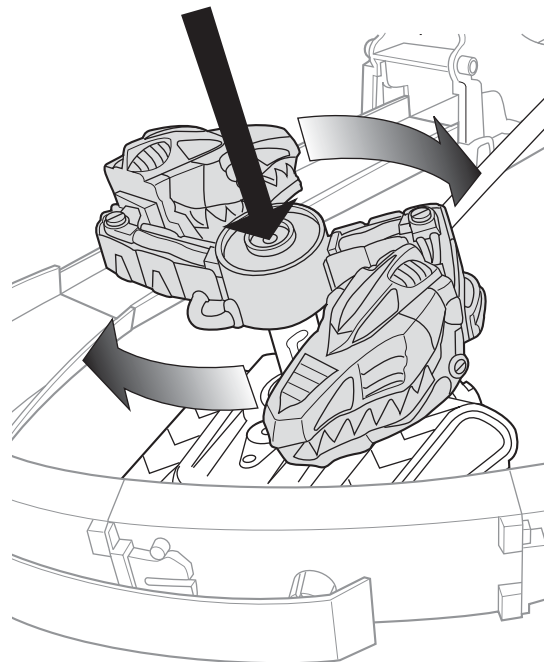


Protect the environment by not disposing of this product with household waste [2002/96/EC]. Check your local authority for recycling advice and facilities.

GET READY TO PLAY

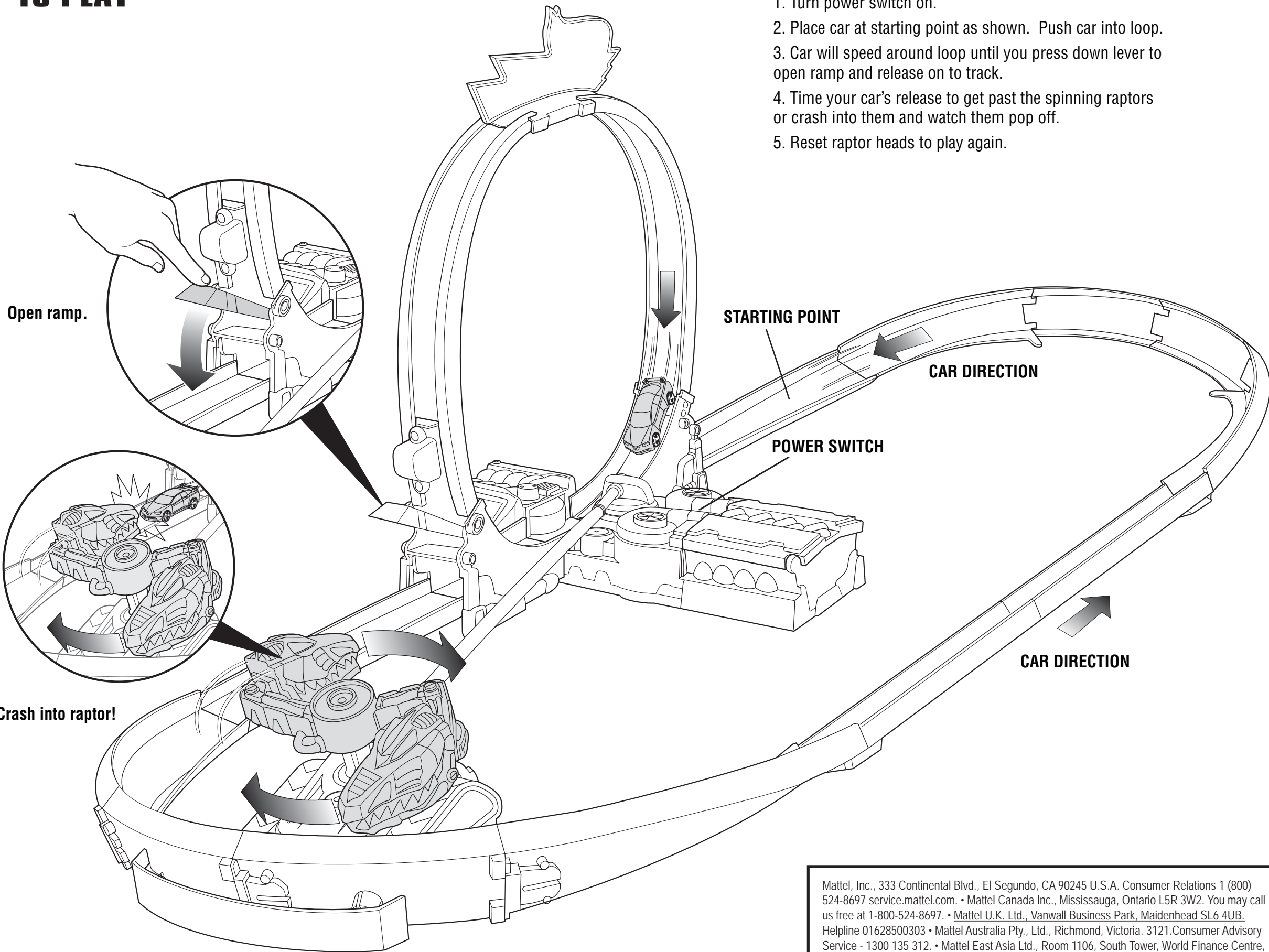
Set and reset raptor heads:

Push down raptor heads as shown and turn clockwise until they catch and stay in the set position.



TO PLAY

1. Turn power switch on.
2. Place car at starting point as shown. Push car into loop.
3. Car will speed around loop until you press down lever to open ramp and release on to track.
4. Time your car's release to get past the spinning raptors or crash into them and watch them pop off.
5. Reset raptor heads to play again.



Mattel, Inc., 333 Continental Blvd., El Segundo, CA 90245 U.S.A. Consumer Relations 1 (800) 524-8697 service.mattel.com. • Mattel Canada Inc., Mississauga, Ontario L5R 3W2. You may call us free at 1-800-524-8697. • Mattel U.K. Ltd., Vanwall Business Park, Maidenhead SL6 4UB. Helpline 01628500303 • Mattel Australia Pty., Ltd., Richmond, Victoria. 3121. Consumer Advisory Service - 1300 135 312. • Mattel East Asia Ltd., Room 1106, South Tower, World Finance Centre, Harbour City, Tsimshatsui, HK, China. • Diimport & Diedarkan Oleh: Mattel SEA Ptd Ltd.(993532-P) Lot 13.5, 13th Floor, Menara Lien Hoe, Persiaran Tropicana Golf Country Resort, 47410 P.J. Tel:03-78803817, Fax:03-78803867.