



BATTERY OPERATED RACE SET

OVER 8 FURIOUS FEET OF RACING ACTION! (248cm)

05176

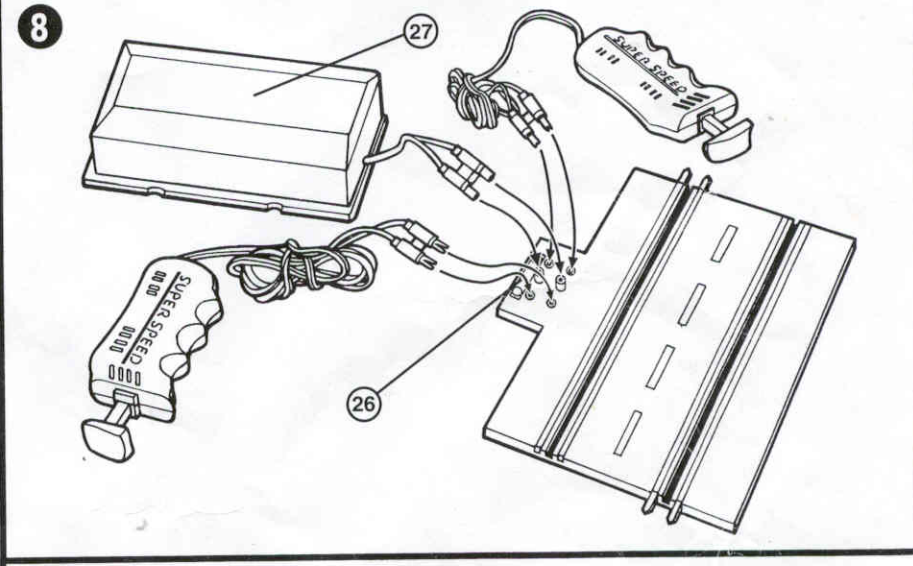
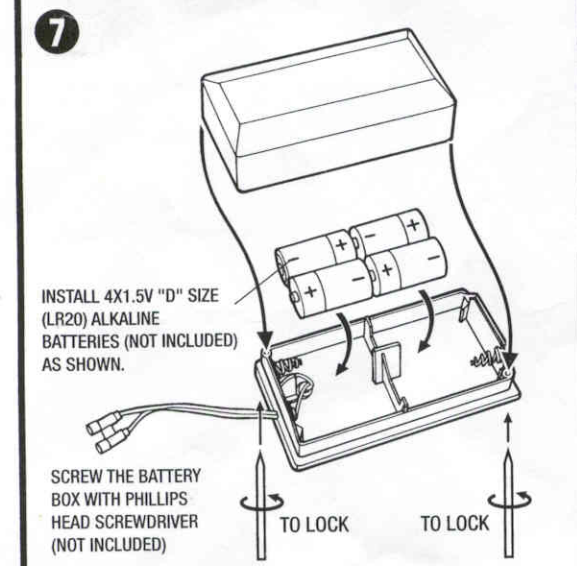
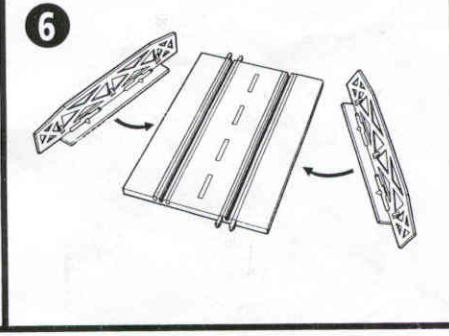
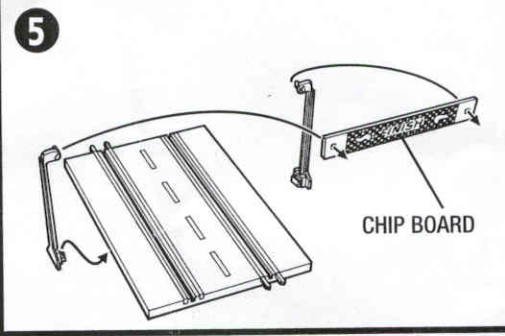
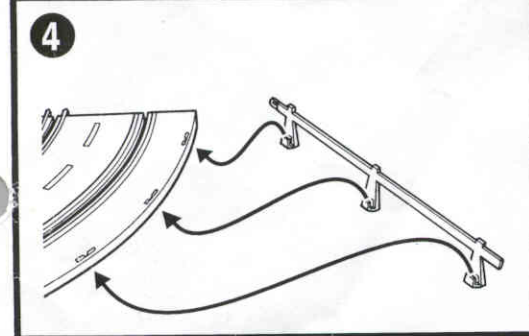
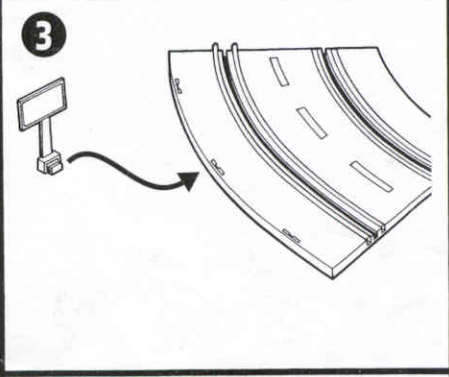
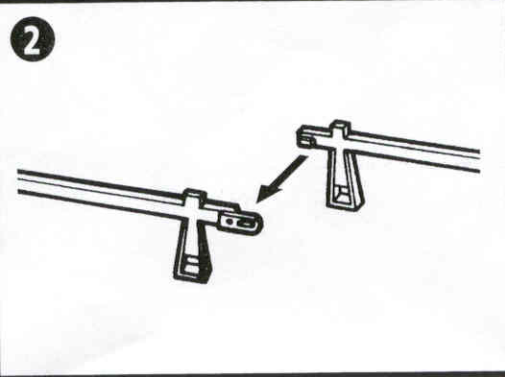
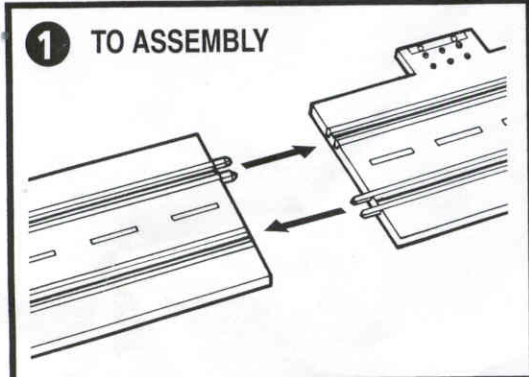
2 YEAR LIMITED WARRANTY

Mattel, Inc. warrants to the original consumer purchaser that this product will be free from defects in materials or workmanship for 2 years (unless otherwise specified in alternate warranties) from the date-of-purchase. If defective, return the product along with proof of the date-of-purchase, postage prepaid, to Consumer Adjustment Center, 15930E, Valley Boulevard, City of Industry, CA 91744 for replacement or refund at our option. This warranty does not cover damage resulting from accident, misuse or abuse. **VALID ONLY IN U.S.A.** This warranty gives you specific legal rights and you may also have other rights which vary from state to state. Send only the product to the address above. Send all correspondence to Consumer Affairs, Mattel, Inc., 333 Continental Blvd., El Segundo, CA 90245-5012, U.S.A. Or you may phone us toll-free at 1-800-524-TOYS, Monday through Friday: 8:00 a.m. - 5:00 p.m. PST (11:00 a.m. - 8:00 p.m. EST).

ADULT ASSEMBLY REQUIRED

CAUTION: This toy contains a functional sharp edges (tracks and controller plugs), Take extra care during assembly and use.

CAUTION: This product contains a magnet. Do not use around items which are sensitive to or affected by magnetic fields.



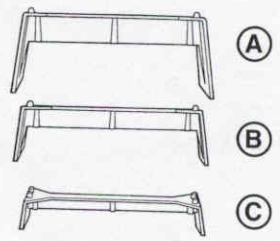
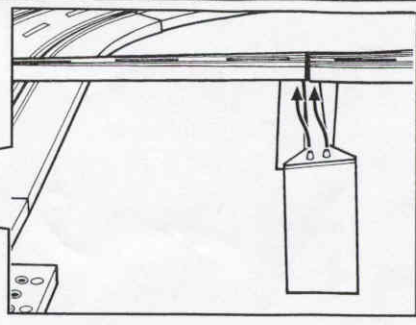
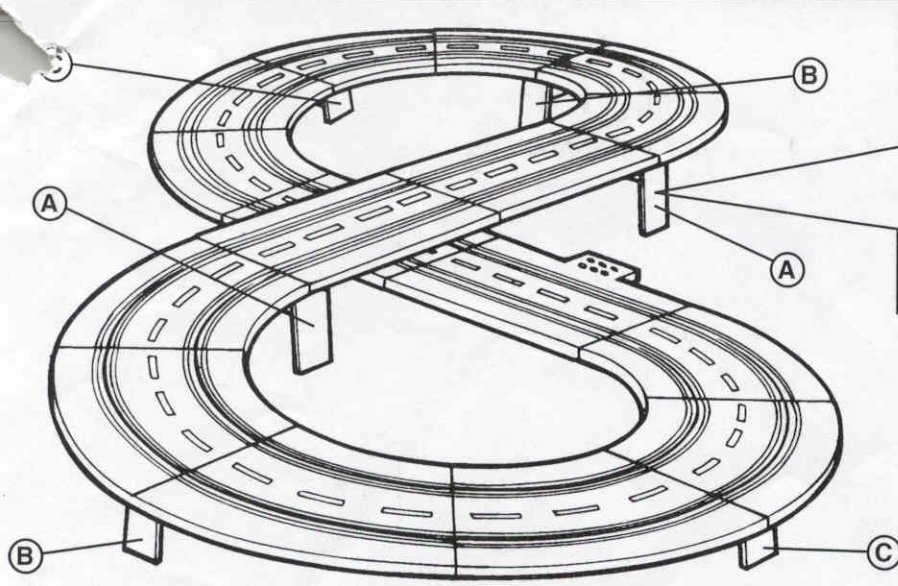
CAUTION:

- Requires 4x1.5 "D" size (LR20) alkaline batteries (not included).
- Use alkaline batteries for longest life and best performance.
- Tool needed for battery installation: phillips head screwdriver (not included).
- This product is not recommended for use on loose dirt or wet surfaces.
- Do not immerse in water.

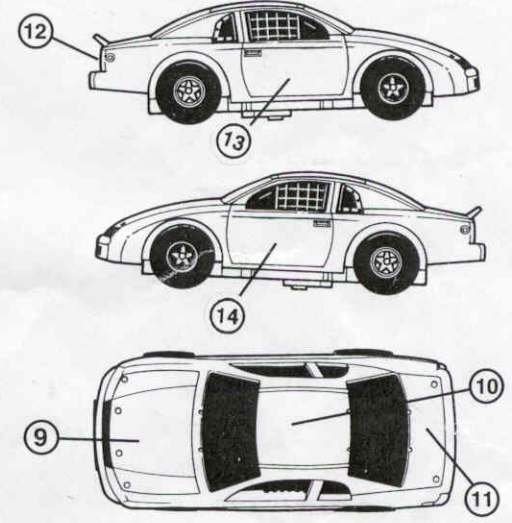
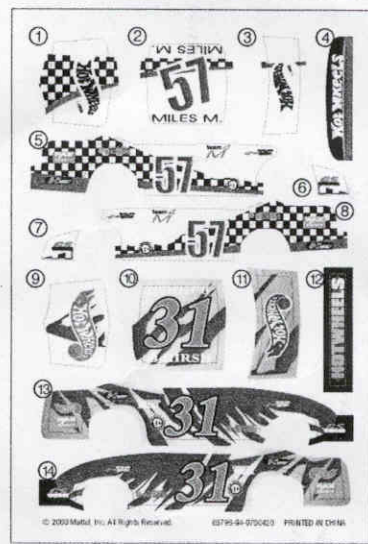
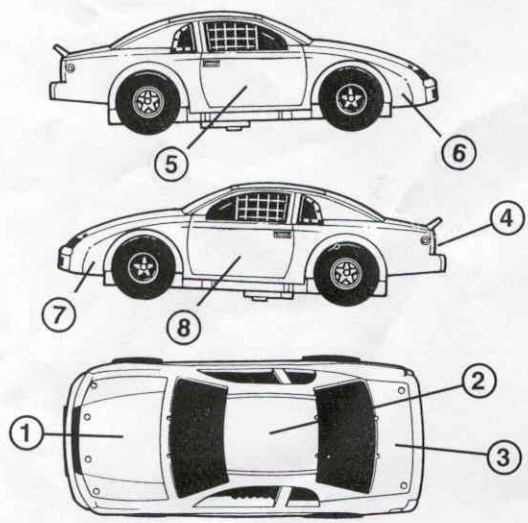
CAUTION: To Avoid Battery Leakage:

1. Non-rechargeable batteries are not to be recharged.
2. Do not mix alkaline, standard (carbon-zinc), or rechargeable (nickel-cadmium) batteries.
3. Do not mix old batteries and new batteries.
4. Only batteries of the same or equivalent type as recommended are to be used.
5. Be sure to insert batteries with the correct polarities and always follow the toy and battery manufacturers' instructions.
6. Exhausted batteries are to be removed from the product.
7. The supply terminals are not to be short-circuited.
8. Dispose of batteries safely.

Please keep these instructions for future reference. as they contain important information.



LABEL POSITION **HELPFUL HINT: APPLY LABEL BEFORE ASSEMBLY.**

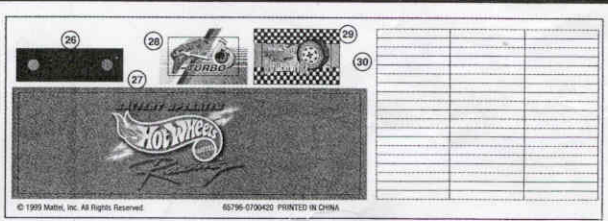


© 2009 Mattel, Inc. All Rights Reserved. 63795-0100023 PRINTED IN CHINA



CAUTION:
Do not stall the motor during use.

LABEL POSITION



© 2009 Mattel, Inc. All Rights Reserved. 63795-0100023 PRINTED IN CHINA

WARNING:
CHOKING HAZARD - Small parts.
Not for children under 3 years.

