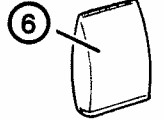
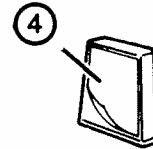
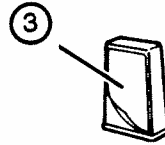
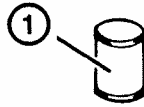
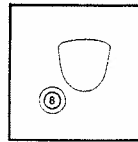
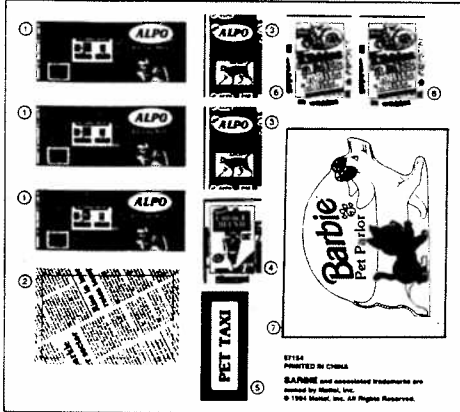


Barbie®

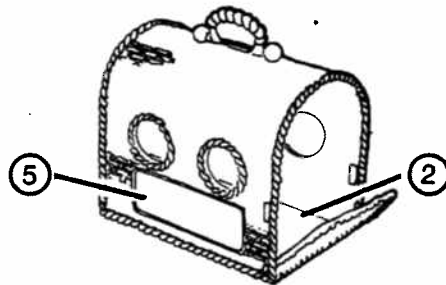
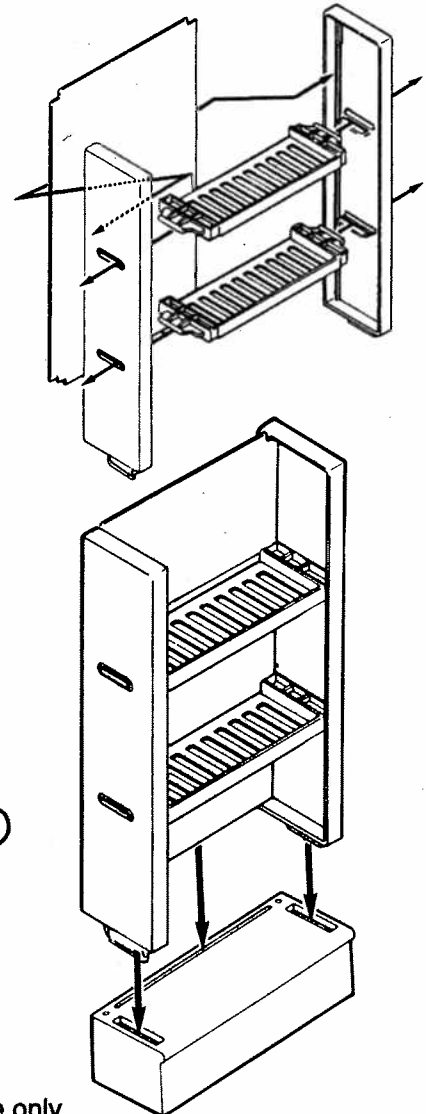
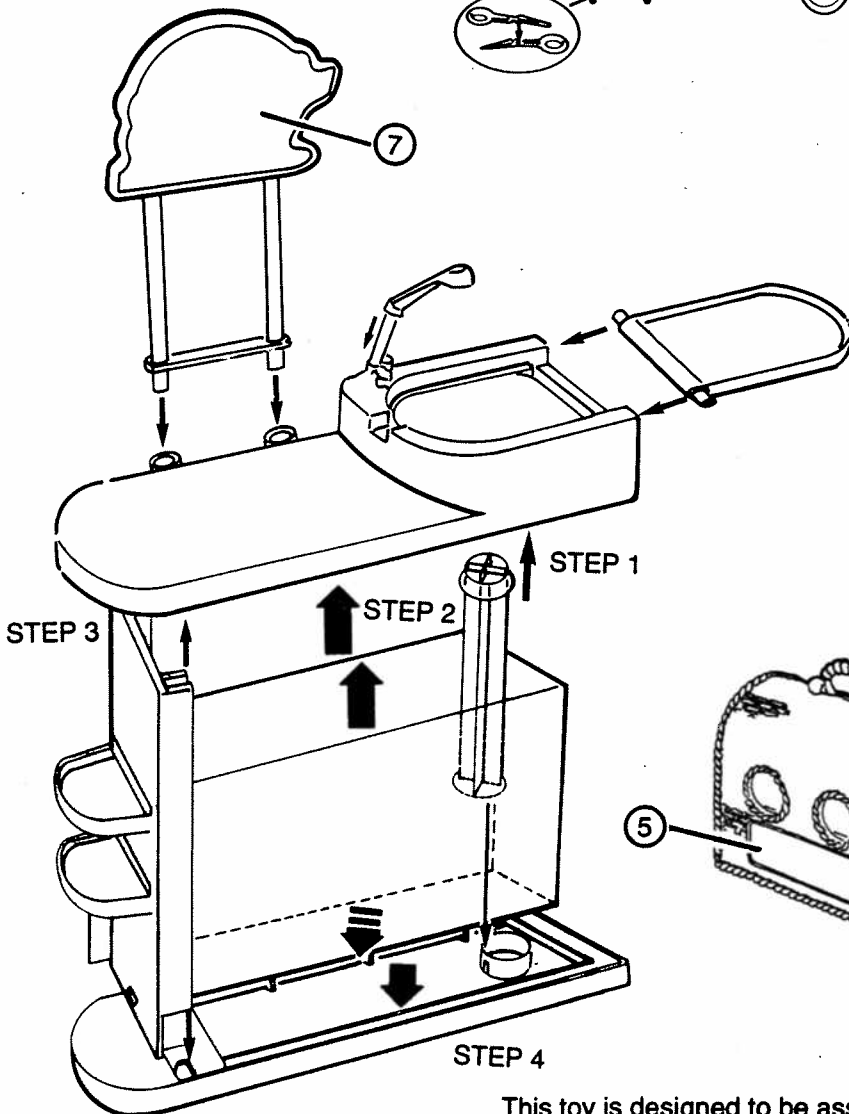
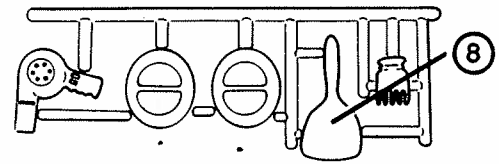
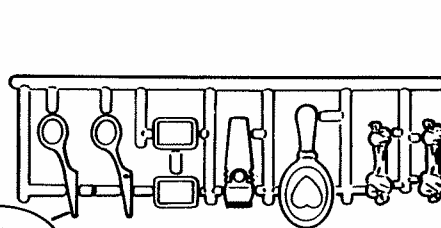
2 YEAR LIMITED WARRANTY

ARCOTOYS, INC., A Mattel Company, warrants to the original consumer purchaser that this toy product will be free from defects in material or workmanship for 2 years (unless otherwise specified in alternate warranties) from the date of purchase. If defective, return the product along with proof of the date-of-purchase, postage prepaid, to Consumer Adjustment Center, ARCOTOYS, INC., A Mattel Company, C.S. #1015, Westbury N.Y. 11590-0115 U.S.A. for replacement or refund at our option, or you may phone us toll-free at 1 (800) 442-2664, Monday thru Friday between the hours of 10:00 A.M. - 2:00 P.M. EST (7:00 A.M. - 11:00 A.M. PST). This warranty gives you specific legal rights and you may also have other rights which vary from state to state. This warranty does not cover damage resulting from accident, misuse or abuse.
Valid only in U.S.A.

03



CUT PLASTIC PARTS OFF FRAME USE SAFETY SCISSORS.



This toy is designed to be assembled one time only.

⚠ WARNING