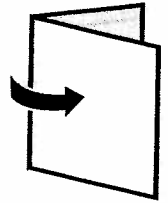
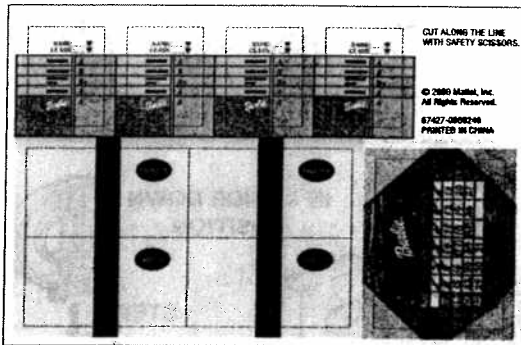
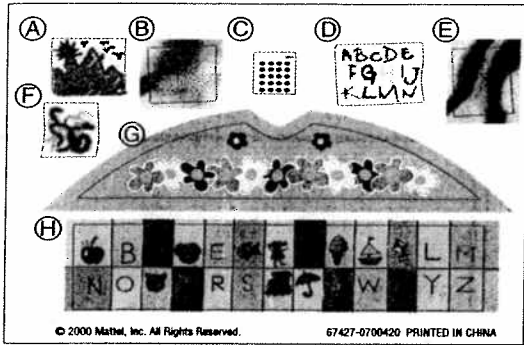


# Barbie®

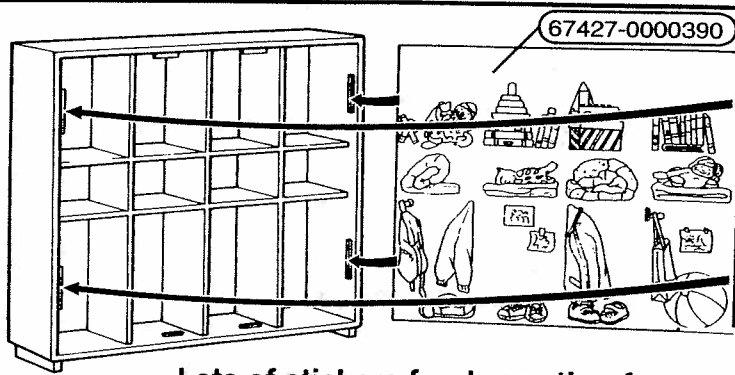
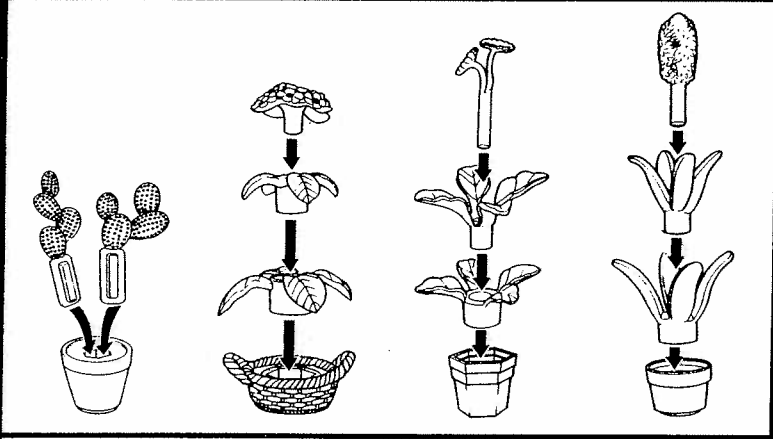
**ADULT ASSEMBLY REQUIRED**

**2 YEAR LIMITED WARRANTY**

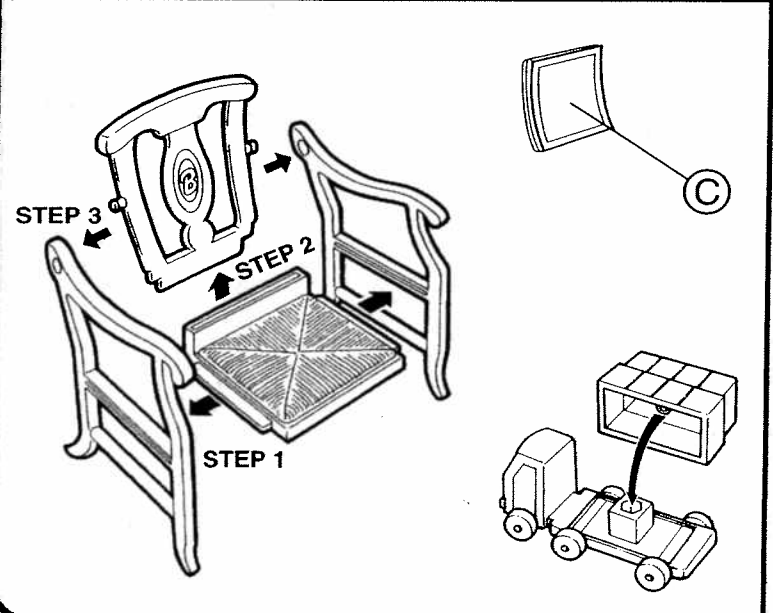
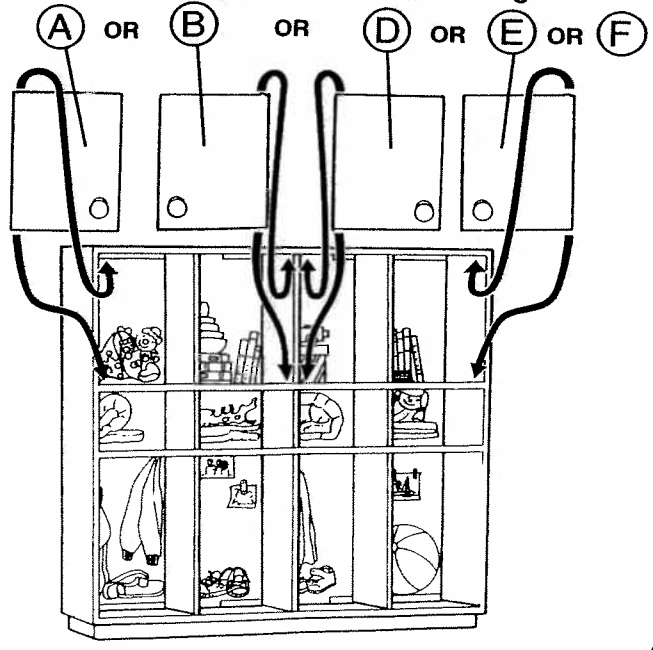
Mattel, Inc. warrants to the original consumer purchaser that this product will be free from defects in materials or workmanship for 2 years (unless otherwise specified in alternate warranties) from the date of purchase. If defective, return the product along with proof of the date of purchase, postage prepaid, to Consumer Adjustment Center, 15930 E. Valley Boulevard, City of Industry, CA 91744 for replacement or refund at our option. This warranty does not cover damage resulting from unauthorized modification, accident, misuse or abuse. **VALID ONLY IN U.S.A.** This warranty gives you specific legal rights and you may also have other rights which vary from state to state.



**CUT ALONG THE LINE WITH SAFETY SCISSORS.**



**Lots of stickers for decorating fun.**

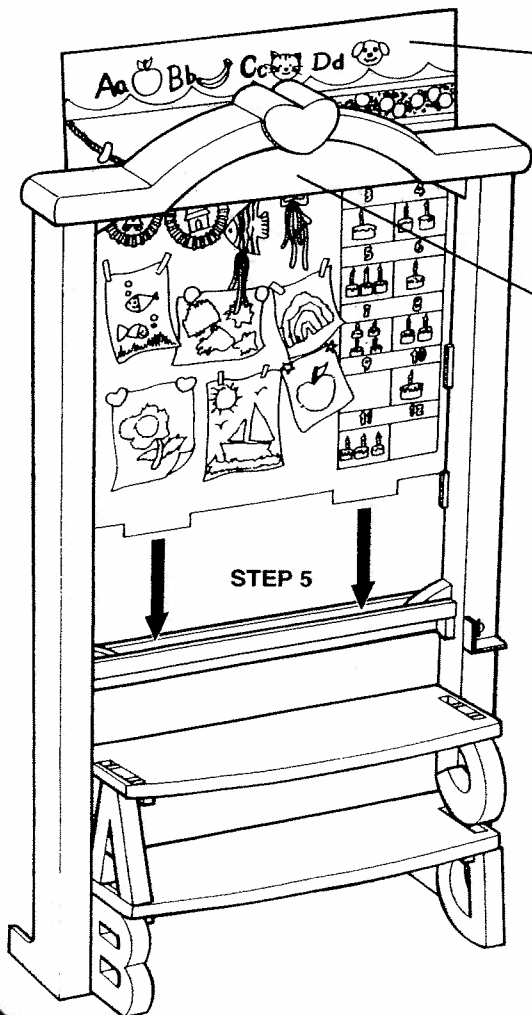
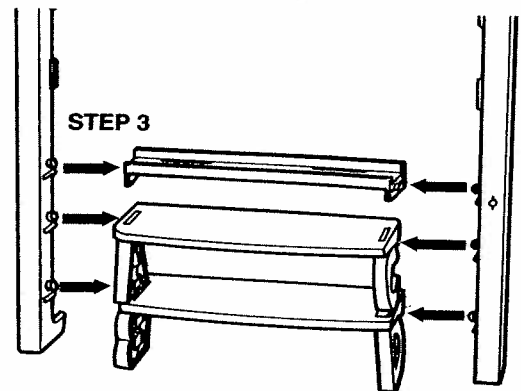
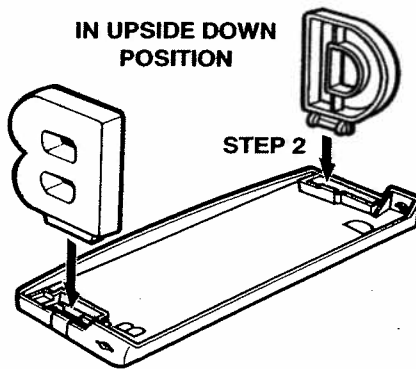
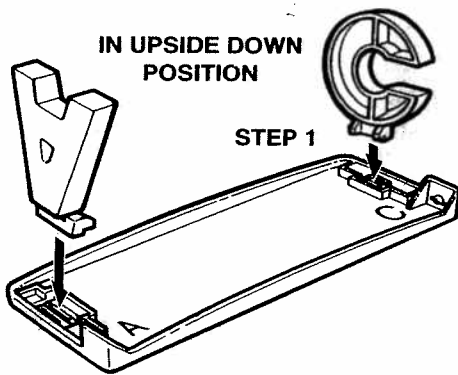
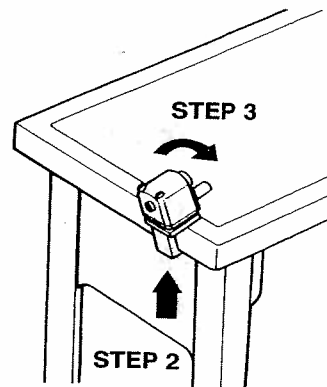
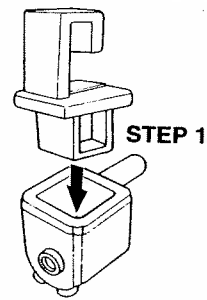
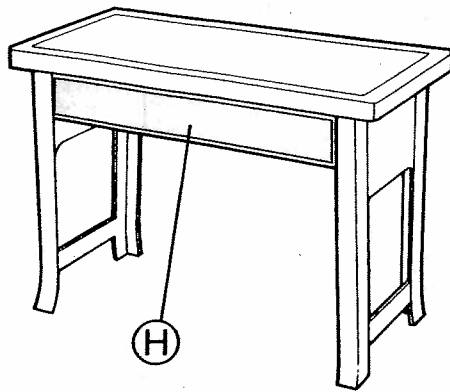
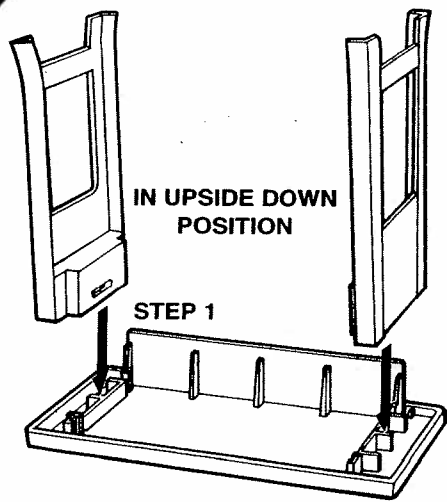


**WARNING:**  
 CHOKING HAZARD - Toy contains small balls and small parts. Not for children under 3 years.



© 2000 Mattel, Inc. All Rights Reserved.  
 ® and TM designate U.S. trademarks of Mattel, Inc.  
 Retain this address for future reference:  
 Mattel U.K., Ltd., Vanwall Business Park, Maidenhead SL6 4UB.  
 Helpline 01628500303

67427-070040  
 PRINTED IN CHINA



67427-0000390

G

