

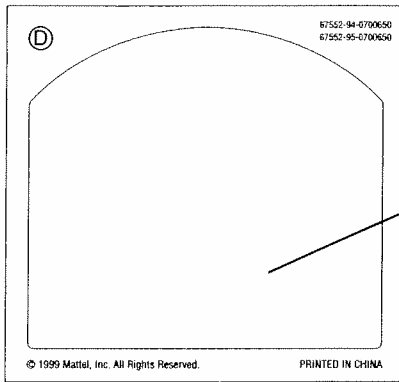
Barbie[®] 2000

PLEASE KEEP THESE INSTRUCTIONS FOR FUTURE REFERENCE AS THEY CONTAIN IMPORTANT INFORMATION.

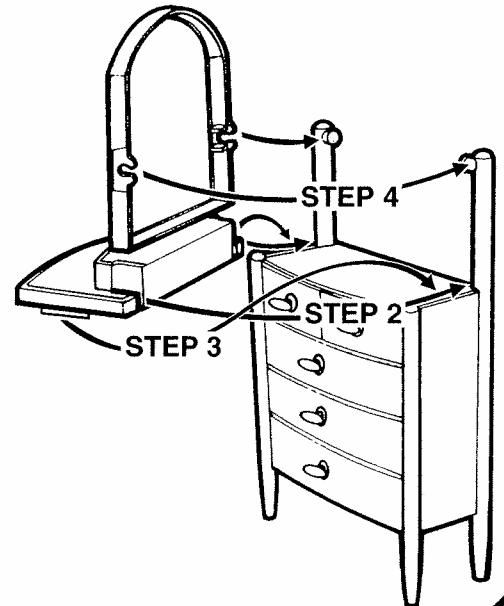
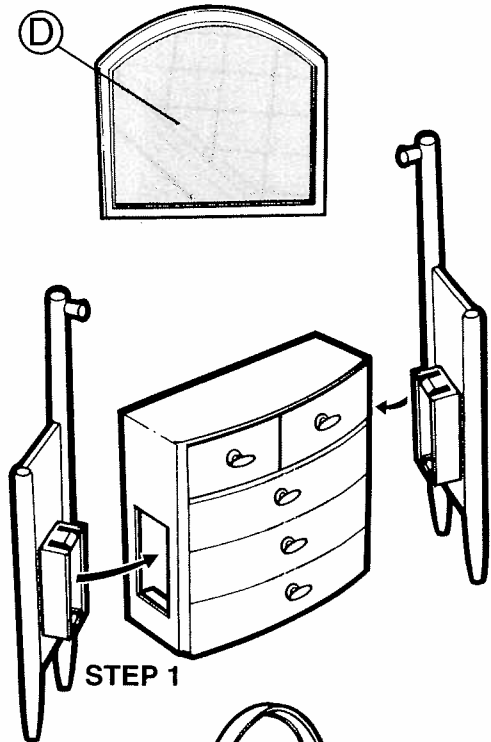
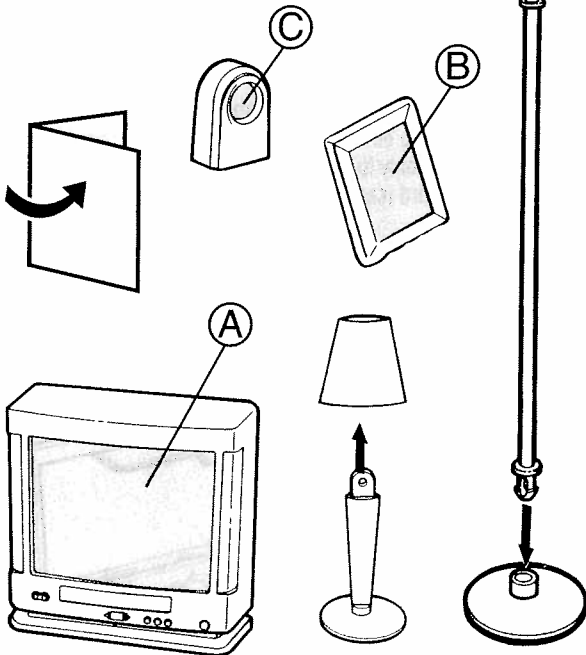
2 YEAR LIMITED WARRANTY

ARCOTOYS, INC., A Mattel Company, warrants to the original consumer purchaser that this toy product will be free from defects in material or workmanship for 2 years (unless otherwise specified in alternate warranties) from the date of purchase. If defective, return the product along with proof of the date-of-purchase, postage prepaid, to Consumer Adjustment Center, ARCOTOYS, INC., A Mattel Company, C.S. #9008, Crossways Park West, Woodbury, New York 11797 for replacement or refund at our option, or you may phone us toll-free at 1 (800) 442-2664 (USA), Monday thru Friday between the hours of 10:00 A.M. - 5:00 P.M. EST (7:00 A.M. - 2:00 P.M. PST). This warranty does not cover damage resulting from accident, misuse or abuse. **VALID ONLY IN U.S.A.** This warranty gives you specific legal rights and you may also have other rights which vary from state to state. 03

ADULT ASSEMBLY REQUIRED



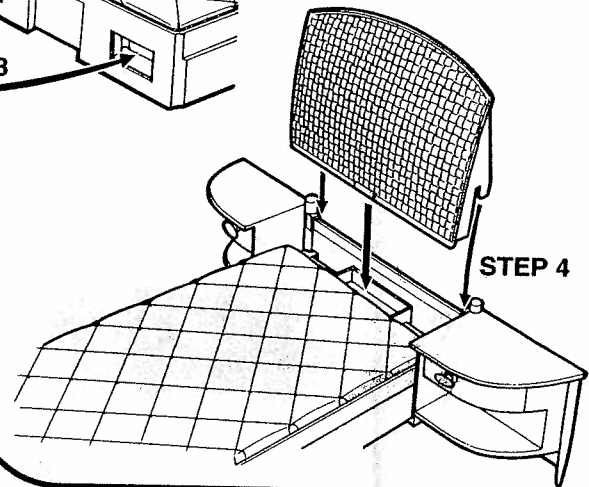
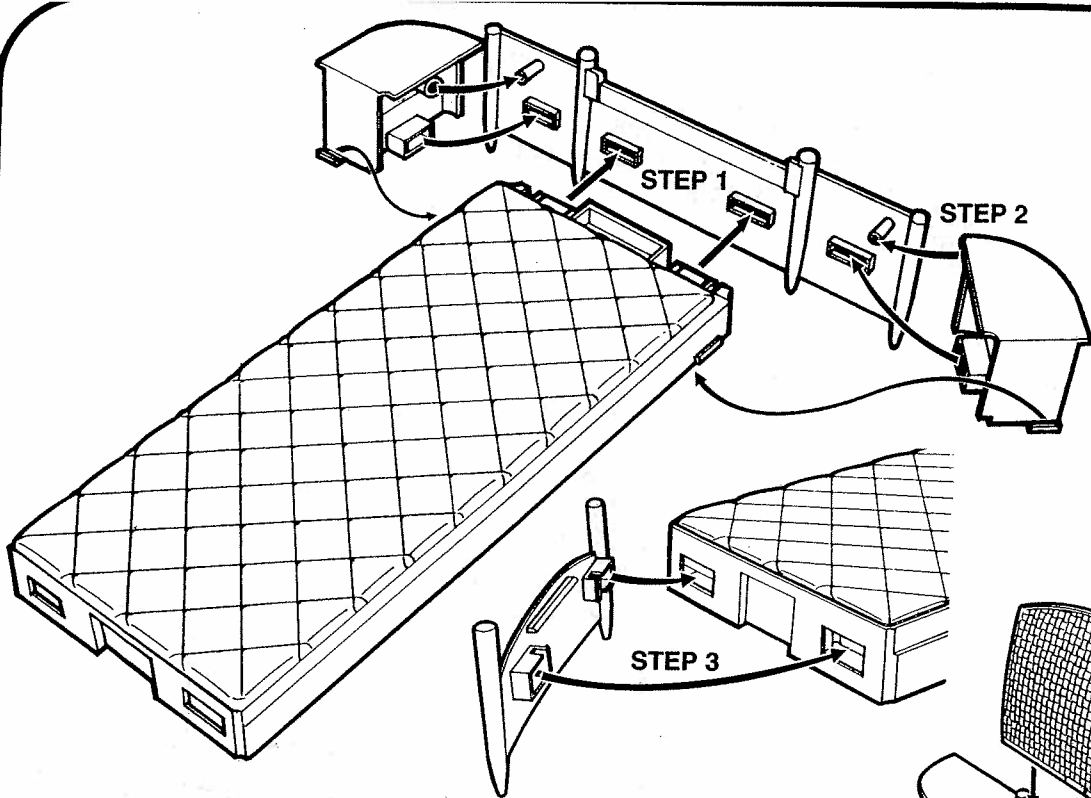
PLEASE REMOVE PROTECTIVE FILM AND DISCARD BEFORE APPLYING TOY MIRROR TO TOY VANITY.



© 1999 Mattel, Inc. All Rights Reserved.
® and TM designate U.S. trademarks of Mattel, Inc.

WARNING:
CHOKING HAZARD - Small parts.
Not for children under 3 years.

67552-95-0700400
PRINTED IN CHINA
Retain this address for future reference:
Mattel U.K., Ltd., Meridian West, Leicester LE3 2WT
Helpline 01628500303

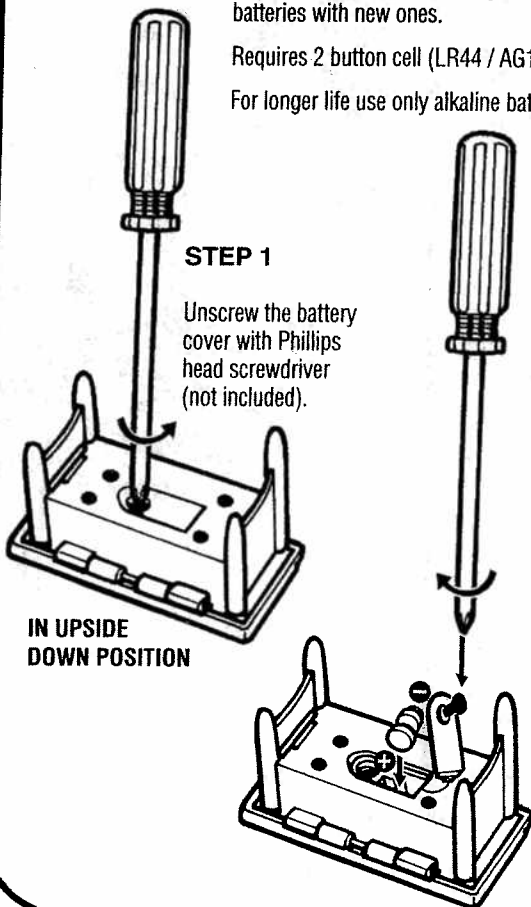


ADULTS NOTE: Batteries included are for demonstration purposes only.

If LED lamp becomes low or goes out, replace batteries with new ones.

Requires 2 button cell (LR44 / AG13 / A76) batteries.

For longer life use only alkaline batteries.



STEP 1

Unscrew the battery cover with Phillips head screwdriver (not included).

IN UPSIDE DOWN POSITION

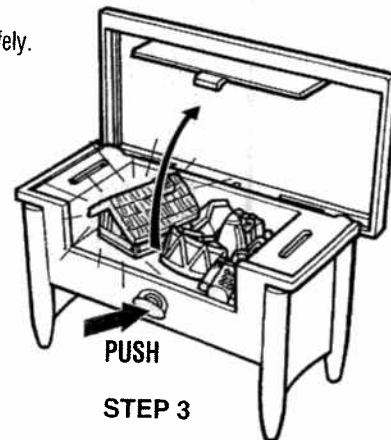
STEP 2

Replace with 2 button cell (LR44 / AG13 / A76) batteries.

IN UPSIDE DOWN POSITION

BATTERY SAFETY INFORMATION

1. Non-rechargeable batteries are not to be recharged.
2. Rechargeable batteries are to be removed from the toy before being charged.
3. Rechargeable batteries are only to be charged under adult supervision.
4. Do not mix alkaline, standard (carbon-zinc), or rechargeable (nickel-cadmium) batteries.
5. Do not mix old and new batteries.
6. Only batteries of the same or equivalent type as recommended are to be used.
7. Batteries are to be inserted with the correct polarity.
8. Exhausted batteries are to be removed from the toy.
9. The supply terminals are not to be short-circuited.
10. Dispose of battery(ies) safely.



STEP 3