



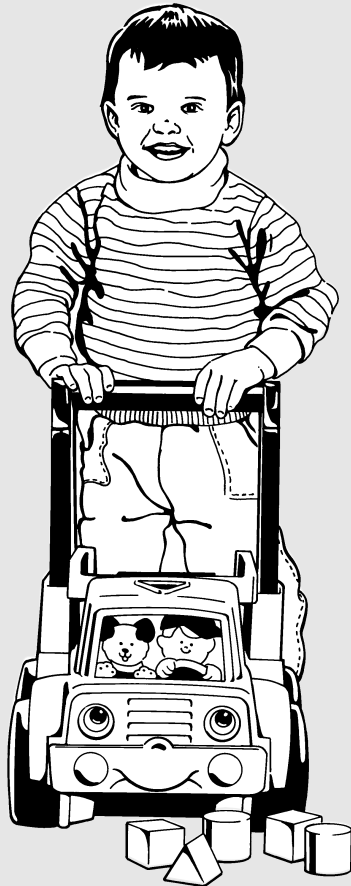
# Pick-Up 'n Go Dump Truck™

## Instructions

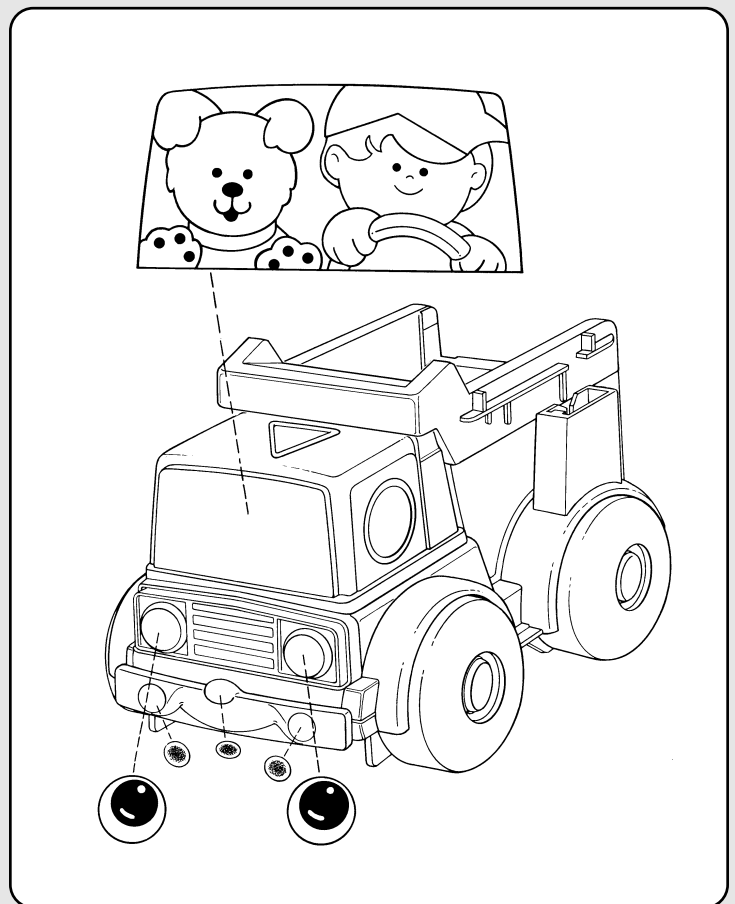
Model Number: 71022

### Important!

**IMPORTANT!** The Pick-Up 'n Go Dump Truck is intended to be used as a walker and a floor toy. It is not designed for sitting or standing on. Please show your child the proper use of this product.



### Decoration



*Proper label application will help keep the labels looking their best!*

- Make sure the areas where the labels will be applied are clean and dry. Wipe this product with a clean, soft, dry cloth to remove any dust or oils.
- Apply the labels as shown in the illustration.
- For best results, do not attempt to apply a label more than once.

### Consumer Information

**Questions? We'd like to hear from you!**

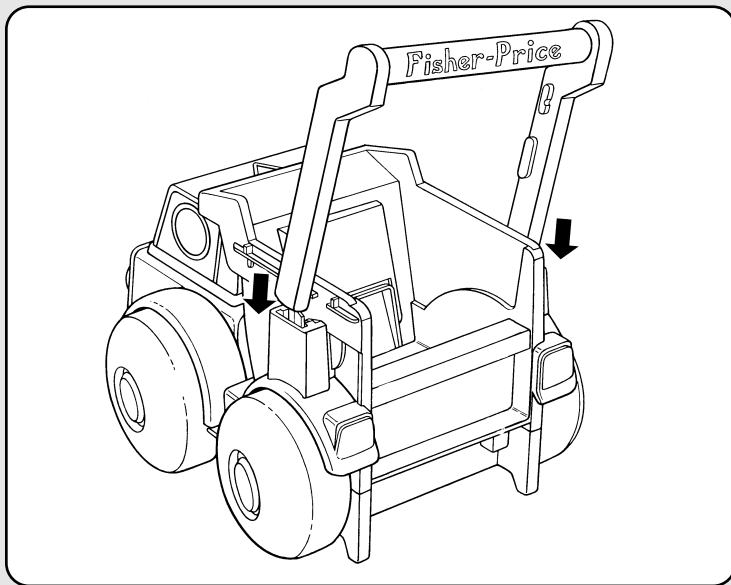
Call Fisher-Price® Consumer Affairs, toll-free at **1-800-432-KIDS**, 8 AM - 6 PM EST Monday through Friday. Hearing-impaired consumers using TTY/TDD equipment, please call 1-800-382-7470. Or, write to: Fisher-Price® Consumer Affairs, 636 Girard Avenue, East Aurora, New York 14052

## Assembly

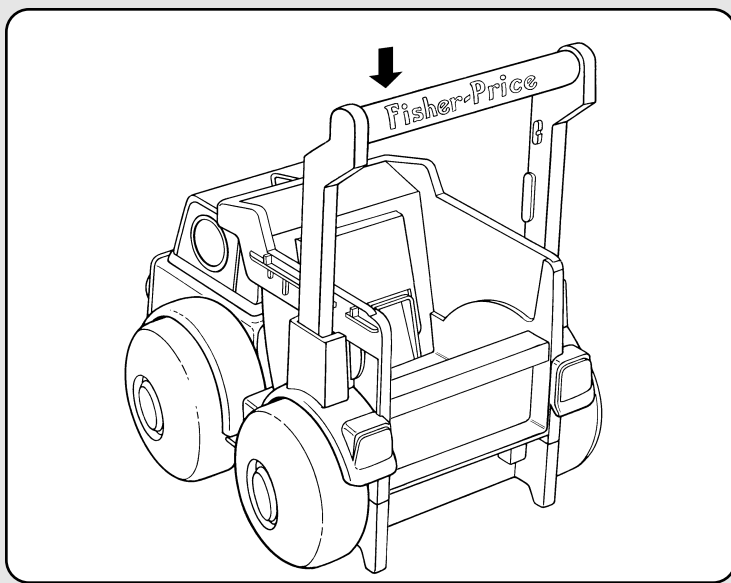
### CAUTION

For your child's safety, make sure the walker handle is firmly attached at all times, whether it is being used as a walker or as a carry handle for the activity toy.

#### Walker Position

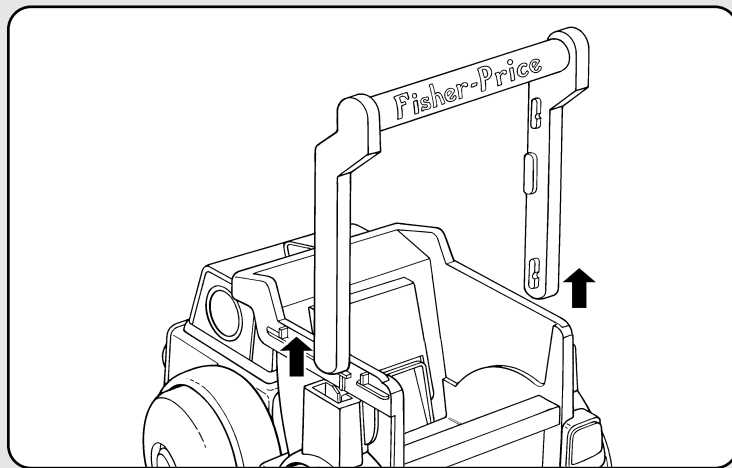


- With the handle's Fisher-Price® logo facing the rear of the truck, insert handle ends into the truck slots as shown.

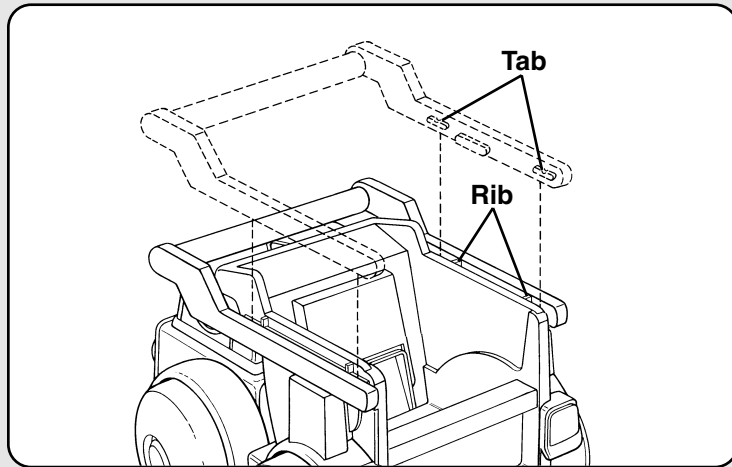


- Push down on the handle to be sure it is firmly in place.

#### Activity Toy



- Pull the handle up firmly to remove.



- Position the handle with the Fisher-Price® logo up over the bucket of the truck.
- Make sure the handle tabs are on the outside of the truck ribs.