



## Replacement Instructions

# Get-Up & Go Walker Front Panel Replacement Kit

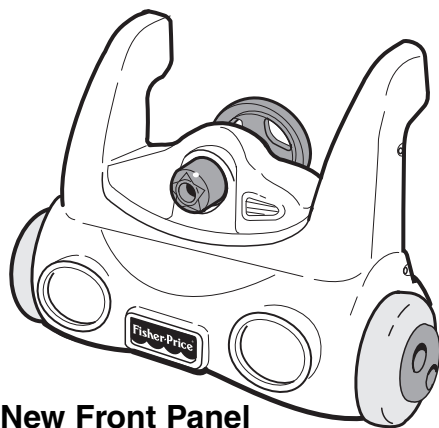
Model Number: 71207

### **WARNING**

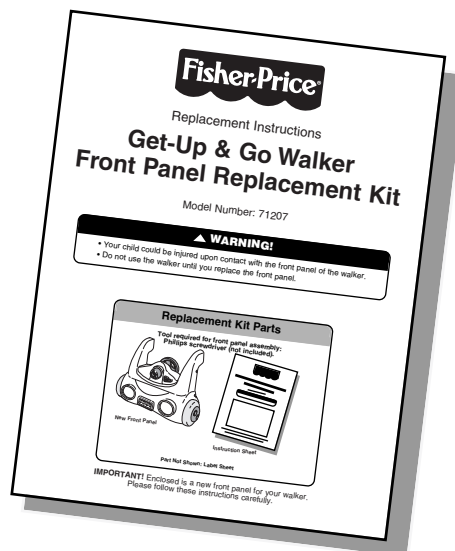
- Your child could be injured upon contact with the front panel of the walker.
- Do not use the walker until you replace the front panel.

### Replacement Kit Parts

Tool required for front panel assembly:  
Phillips screwdriver (not included).



New Front Panel

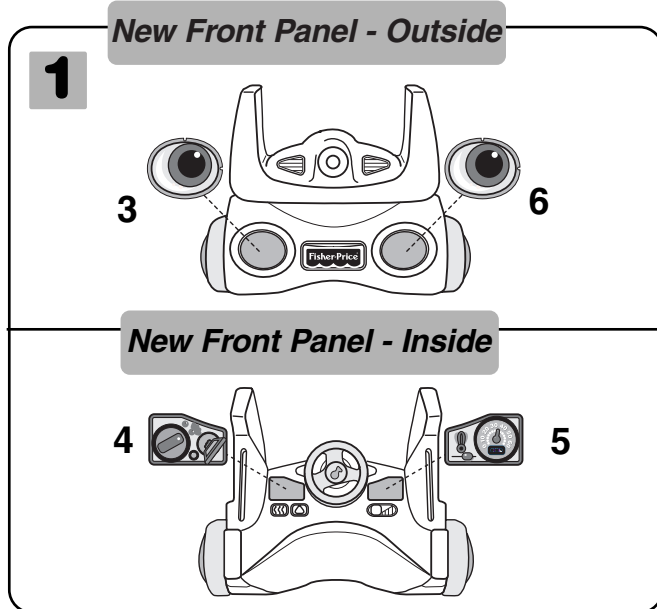


Instruction Sheet

Part Not Shown: Label Sheet

**IMPORTANT!** Enclosed is a new front panel for your walker.  
Please follow these instructions carefully.

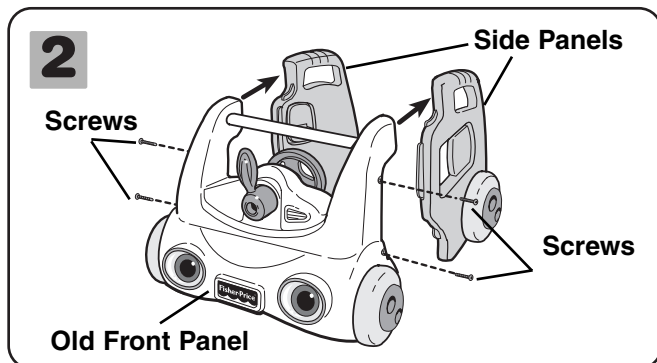
## Replacement Instructions



Proper label application will help to keep the labels looking their best!

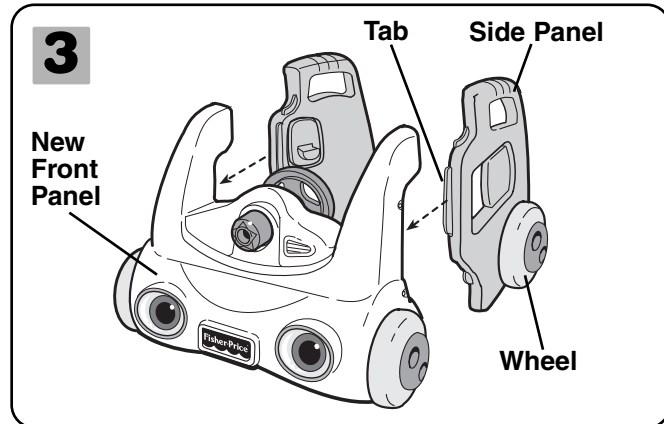
- Make sure the areas where the labels will be applied are clean and dry. Wipe all parts with a clean, dry cloth to remove dust or oils. Avoid re-applying a label.
- Apply the labels, as shown, to the new front panel.

**Helpful Hint:** Align the notches in labels 3 and 6 with the key lines on the front panel.

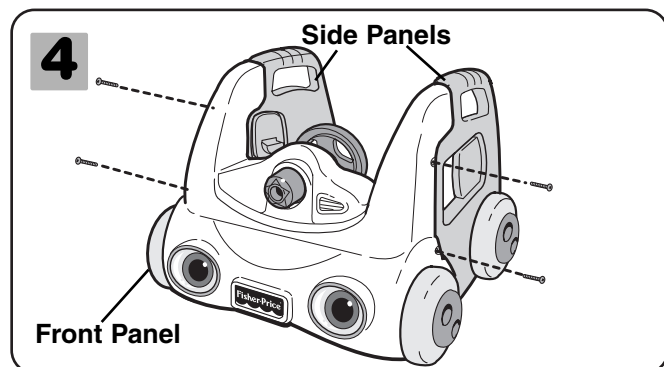


**Helpful Hint:** You may want to use an electric screwdriver with a Phillips head bit.

- Loosen the screws in the old front panel with a Phillips screwdriver. Remove the screws and keep them for Step 4.
- Remove the side panels from the front panel.
- Safely throw away the old front panel.



- Position the new front panel on a flat surface.
- With the wheels on the side panels facing out, fit the tabs on the side panels into the slots in the front panel. Make sure the wheel on each side panel faces out.



- While holding a side panel firmly against the front panel, insert two #6 x 1 1/4" screws through the holes in the front panel and into the side panel. Tighten the screws with a Phillips screwdriver **until the top of each screw is flush with the surface of the front panel**. Do not over-tighten. Repeat this procedure to fasten the front panel to the other side panel.

**Front panel replacement is now complete.**

If you have further questions regarding the installation of the new front panel, please call Fisher-Price® Consumer Relations, toll free at **1-800-233-4004**, 8 AM - 6 PM EST Monday through Friday. Hearing-impaired consumers using TTY/TTD equipment, please call 1-800-382-7470. Or, write to: Fisher-Price® Consumer Relations, 636 Girard Avenue, East Aurora, New York 14052.