

# Fisher-Price®

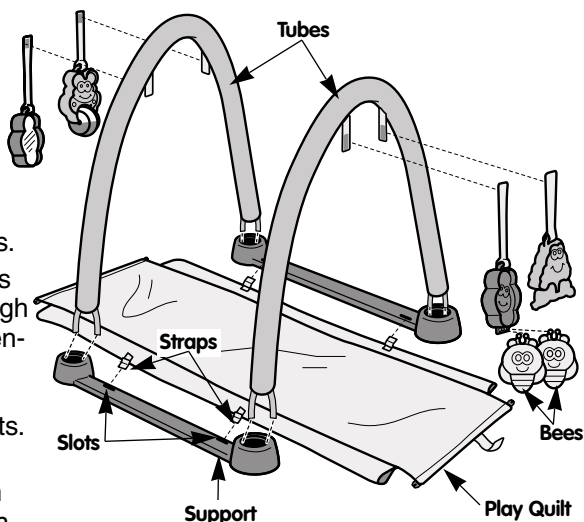
## Bright Expressions™

### Kick 'n Crawl Playhouse™

Model Number 71243

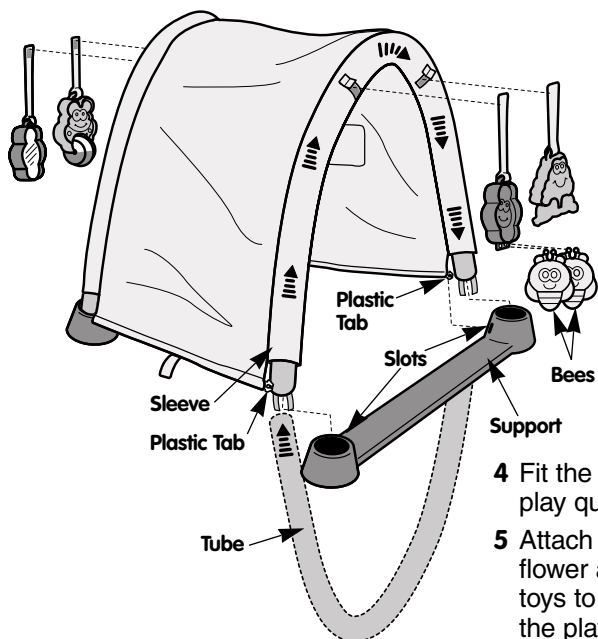
#### Play Quilt

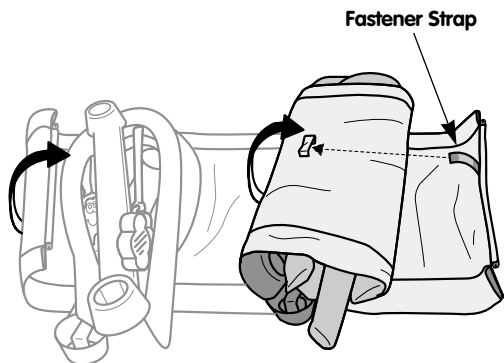
- 1 Place the play quilt print side up on a flat surface. Fit the two straps on each side of the play quilt down through the slots in the supports. Make sure the tab at the end of each strap forms a "T" under the support. Pull up on the play quilt to be sure it is secure to the supports.
- 2 Fit the two small fastener straps on each end of the tubes through the slots inside the circular opening in the supports. Fasten the fastener straps together to secure the tubes to the supports.
- 3 Attach the bees to the bottom of the flower activity toy. Fasten the activity toys to the straps on the tubes.



#### Playhouse

- 1 Slide the tubes through the sleeves in each side of the play quilt.
- 2 Position the supports so that the sides with the slots face inward.
- 3 Fit the two small fastener straps on each end of the tubes through the slots inside the circular openings in the supports. Fasten the fastener straps together to secure the tubes to the supports.
- 4 Fit the plastic tabs at the corners of the play quilt into the slots in the supports.
- 5 Attach the bees to the bottom of the flower activity toy. Fasten the activity toys to the straps at the ends of the playhouse.





## Carry-Along

- 1 Place the play quilt print side up on a flat surface.
- 2 Attach the activity toys to the straps on the sides of the play quilt and place the toys on top of the quilt.
- 3 Identify the fastener strap at one end of the play quilt. Place the supports and tubes at the opposite end of the play quilt and roll the play quilt from end to end.
- 4 Fit the fastener strap through the loop on the outside of the play quilt and fasten to close.

## Care

Machine wash the play quilt in cold water on the gentle cycle.  
DO NOT use bleach. Line dry.

Surface wash the tubes, activity toys and supports with a mild cleaning solution.



### Questions? We'd like to hear from you!

Call Fisher-Price® Consumer Affairs toll-free at **1-800-432-KIDS**, 8 AM - 5PM EST Monday through Friday. Hearing impaired consumer using TTY/TDD equipment, please call 1-800-382-7470. Or, write to: Fisher-Price® Consumer Affairs, 636 Girard Avenue, East Aurora, New York 14052.

[www.fisher-price.com](http://www.fisher-price.com)

If you have any questions about this product:

**In Canada**, call **1-800-567-7724**, or write to: Mattel Canada Inc., 6155 Freemont Blvd., Mississauga, Ontario L5R 3W2.

**In Great Britain**, telephone 01628 500303.

**In Australia**, Mattel Australia Pty. Ltd., 658 Church Street, Locked Bag #870, Richmond, Victoria 3121 Australia. Consumer Advisory Service 1-800-800-812 (valid only in Australia).

**Fisher-Price** Fisher-Price, Inc., a subsidiary of Mattel, Inc.  
East Aurora, New York 14052, U.S.A.

©2000 Mattel, Inc. All Rights Reserved.

® and ™ designate U.S. trademarks of Mattel, Inc.

Printed in China  
71243a-0920