

**Fisher-Price®**

**INSTRUCTIONS**

# **STARLIT STAGE**



**Model Number: 71879, 71899**

**Please save these instructions for future reference.**

**Tool needed for assembly: Phillips screwdriver (not included).**

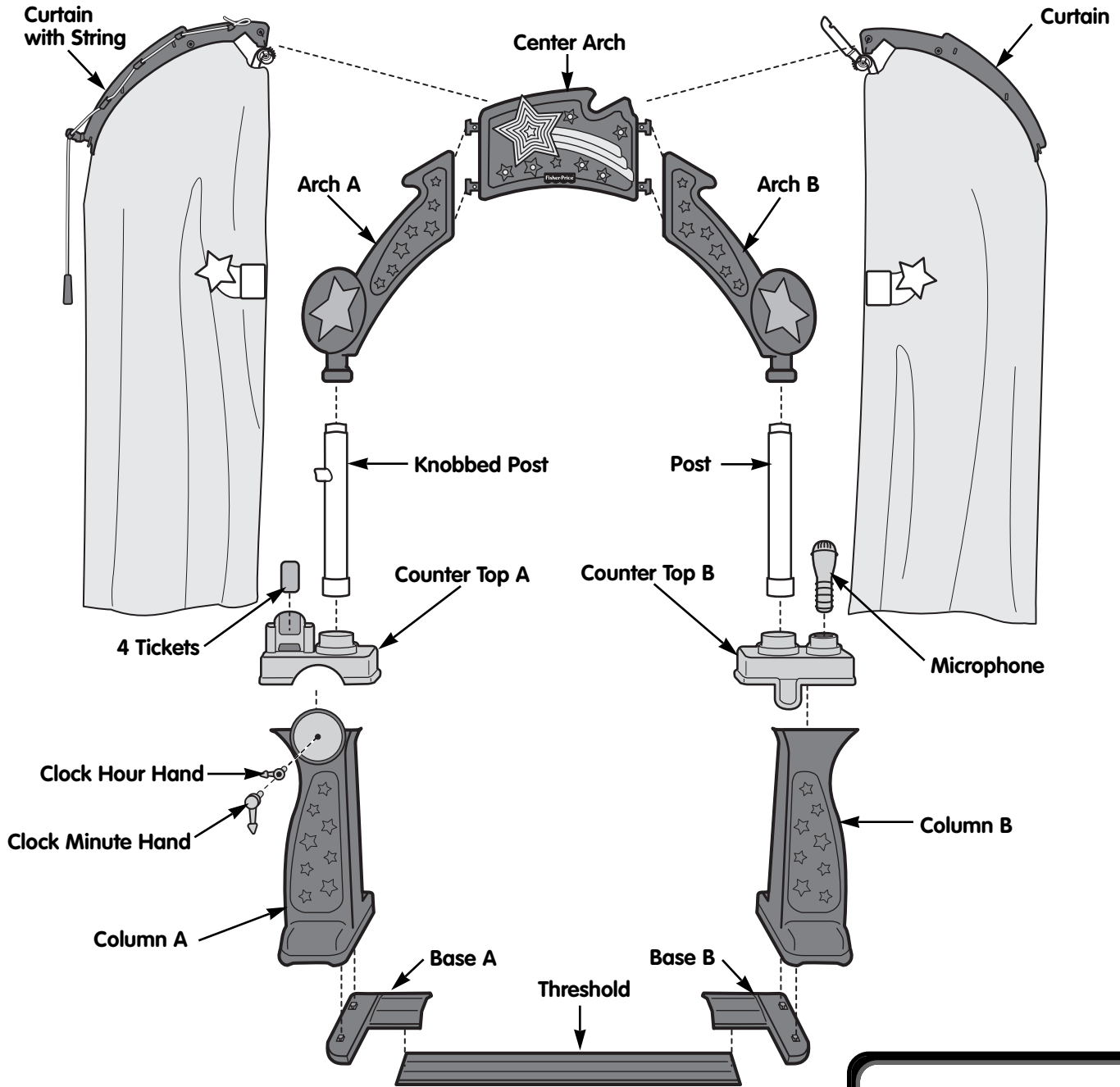
**This product requires three, size "AA" (LR6) alkaline batteries (not included).**

**If you experience a problem with this toy, or are missing a part,  
please call us at 1-800-432-KIDS rather than return this toy to the store.**

# PARTS

## Before beginning assembly:

- Please wipe each part with a clean, dry cloth.
- Use a cool iron to remove wrinkles in the curtains.



Part not shown: label sheet.



#8 x 1/2" Screw - 18



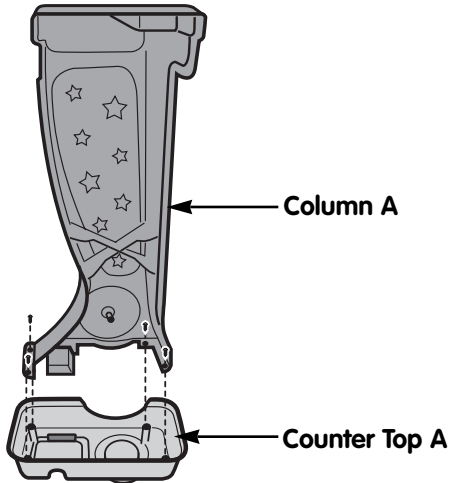
#10 x 3/4" Screw - 1

BOTH SHOWN ACTUAL SIZE

## ⚠ CAUTION

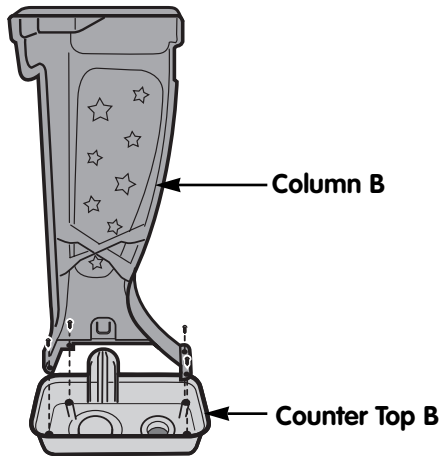
This package contains small parts.  
Adult assembly is required.

### 1



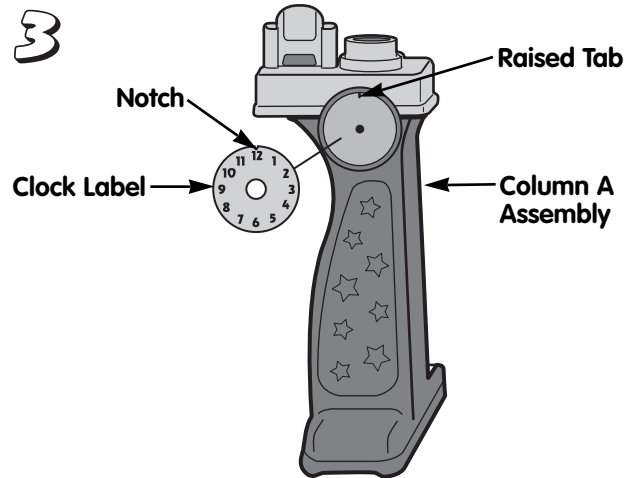
- Position counter top A (there is a A on the underside) upside down on a flat surface.
- Turn column A (there is a A on the underside) upside down and fit it to counter top A.
- Insert four  $\frac{1}{2}$ " screws through the tabs on column A and into the pegs on the counter top A. Tighten the screws with a Phillips screwdriver. Do not over-tighten.

### 2



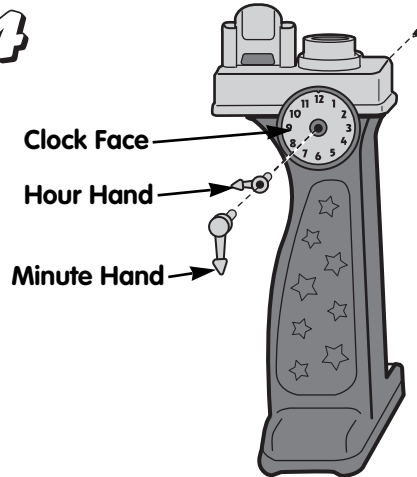
- Position counter top B upside down on a flat surface.
- Turn column B upside down and fit it to the counter top B.
- Insert four  $\frac{1}{2}$ " screws through the tabs on column B and into the pegs on counter top B. Tighten the screws with a Phillips screwdriver. Do not over-tighten.

### 3



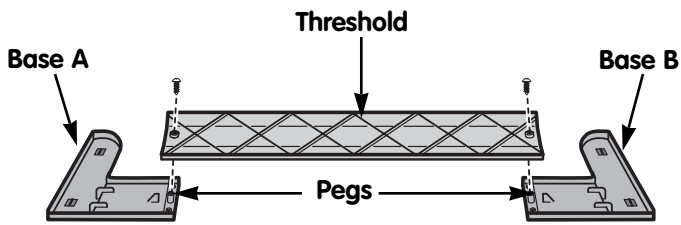
- Turn column A assembly upright.
- Wash your hands before applying the clock label.
- Make sure the area where the label will be applied is clean and dry.
- For best results, do not attempt to apply the label more than once.
- Align the notch in the clock label with the raised tab on column A assembly.
- Apply the clock label as shown above.

### 4



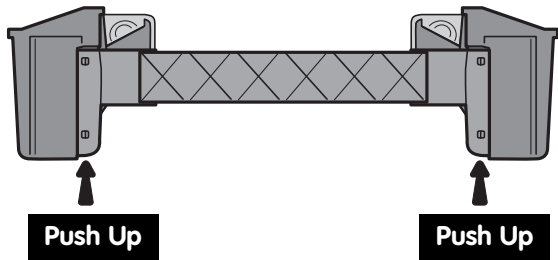
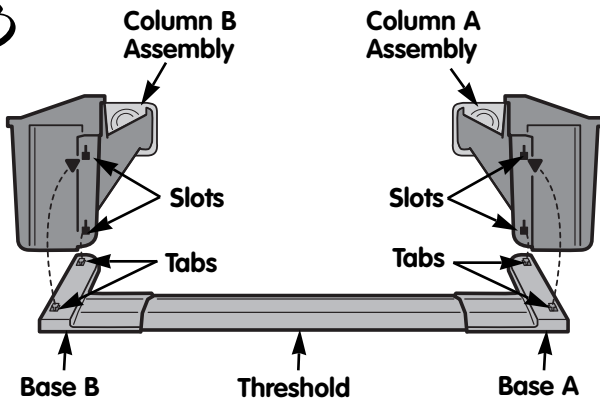
- Insert the peg on the hour hand into the hole in the clock face.
- Insert the peg on the minute hand through the hole in the hour hand and into the hole in the clock face.
- From behind column A assembly, insert the  $\frac{3}{4}$ " screw through column A and the hour hand, and into the minute hand. Tighten the screw with a Phillips screwdriver. Do not over-tighten.

5



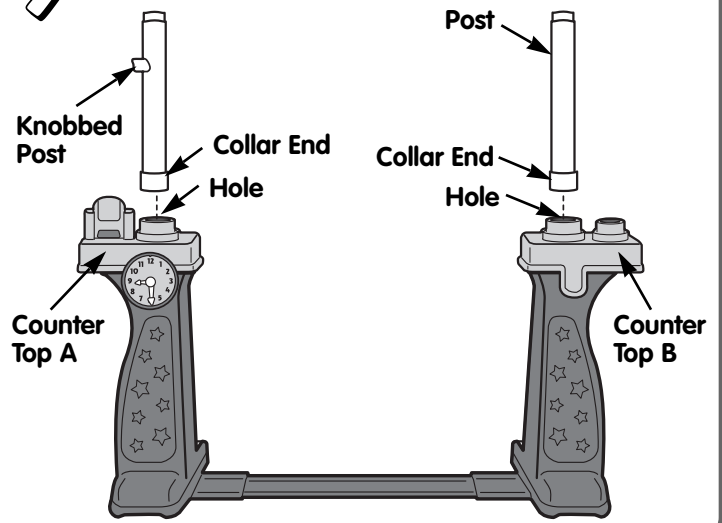
- Place base A and base B (there is an A or B on the underside of each base) on a flat surface, peg side up.
- Turn the threshold upside down and fit it onto each peg, as shown.
- Insert two  $\frac{1}{2}$ " screws through the threshold and into each base. Tighten the screws with a Phillips screwdriver. Do not over-tighten.

6



- Turn the threshold assembly upright.
- Align column A assembly to base A and column B assembly to base B.
- Fit the tabs on the bases into the slots in the columns.
- Push the threshold up to lock it in place.

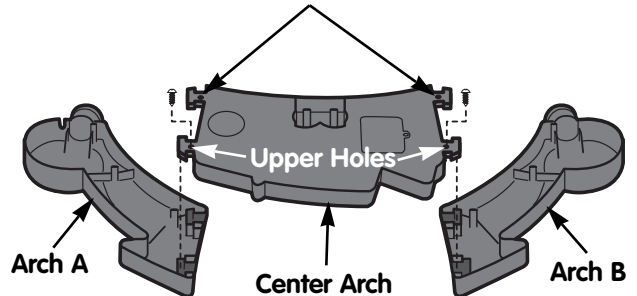
7



- Turn the assembly upright, as shown.
- Position the **knobbed post** so that the collar end is downward.
- Fit the knobbed post into the hole in counter top A.
- Position the post so that the collar end is downward.
- Fit the post into the hole in counter top B.

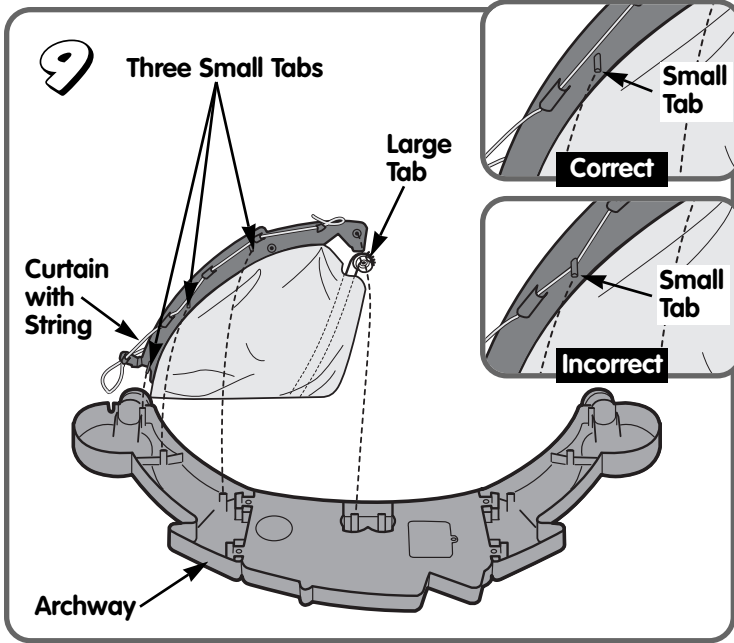
8

**IMPORTANT! DO NOT** insert screws into lower holes.



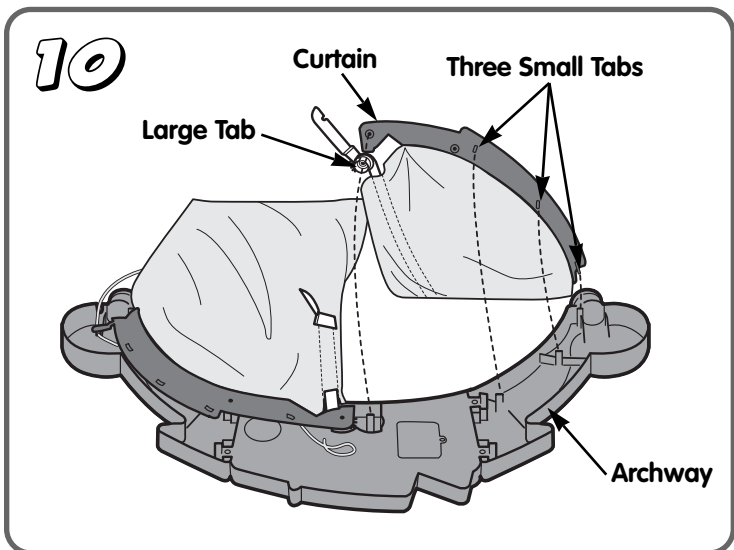
- Position arch A and arch B upside down on a flat surface.
- Fit the center arch onto arch A and arch B. Make sure all three arch pieces form a "U-shaped" archway.
- Insert two  $\frac{1}{2}$ " screws through the upper, center arch and into arch A and arch B. Tighten the screws with a Phillips screwdriver. Do not over-tighten.

**IMPORTANT! DO NOT** insert screws through the lower holes in the center arch.

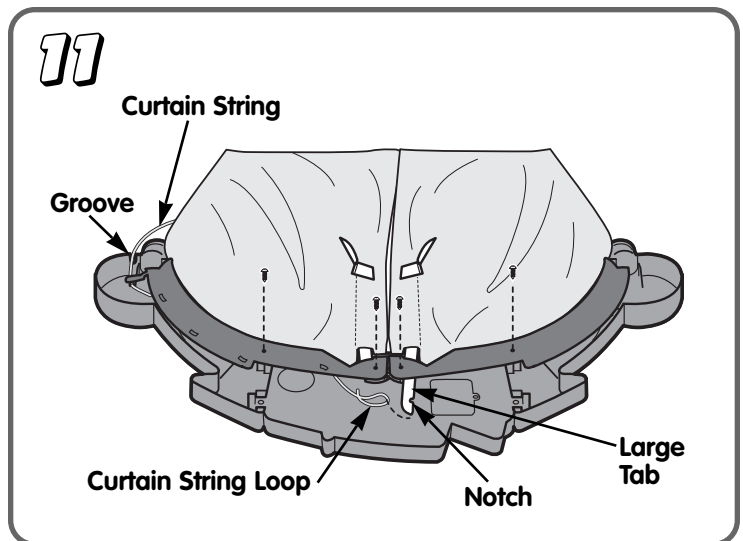


**Hint:** Use a cool iron to remove wrinkles in the curtains. Straighten the plastic stays in the curtains if they are bent.

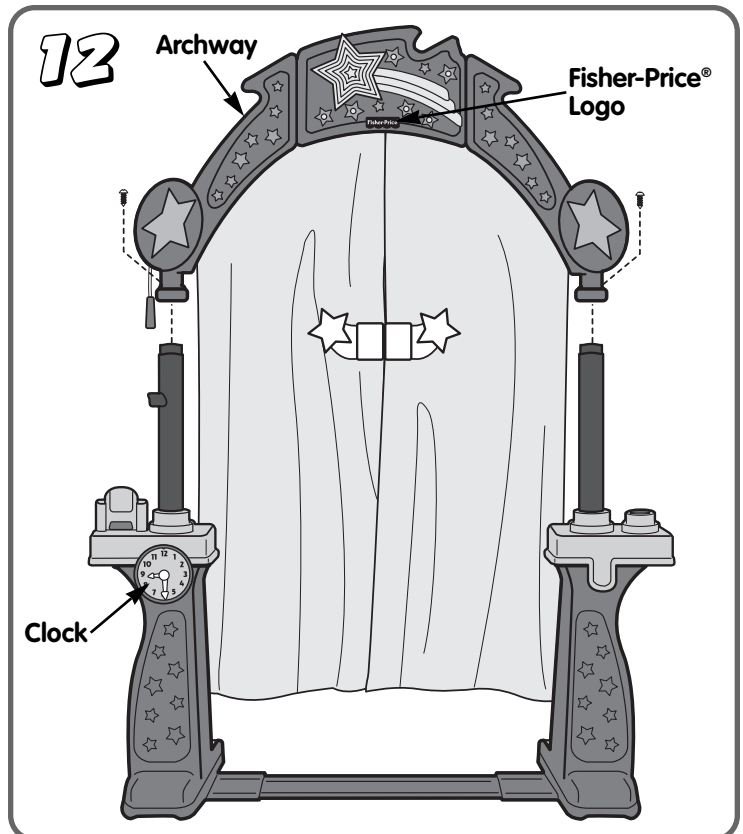
- Position the curtain with string so that the front side is downward.
- IMPORTANT!** Make sure the curtain string is **above** the three small tabs. If the curtain string falls below the small tabs, the toy will not function properly.
- Fit the three small tabs and the large tab on the curtain into the pegs on the archway, as shown.



- Position the other curtain so that the front side is downward.
- Fit the three small tabs and the large tab on the curtain into the pegs on the archway, as shown.



- Insert four 1/2" screws through the curtains and into the archway, as shown. Tighten the screws with a Phillips screwdriver. Do not over-tighten.
- Hook the curtain loop to the notch on the large tab.
- Fit the curtain string into the groove in the archway.

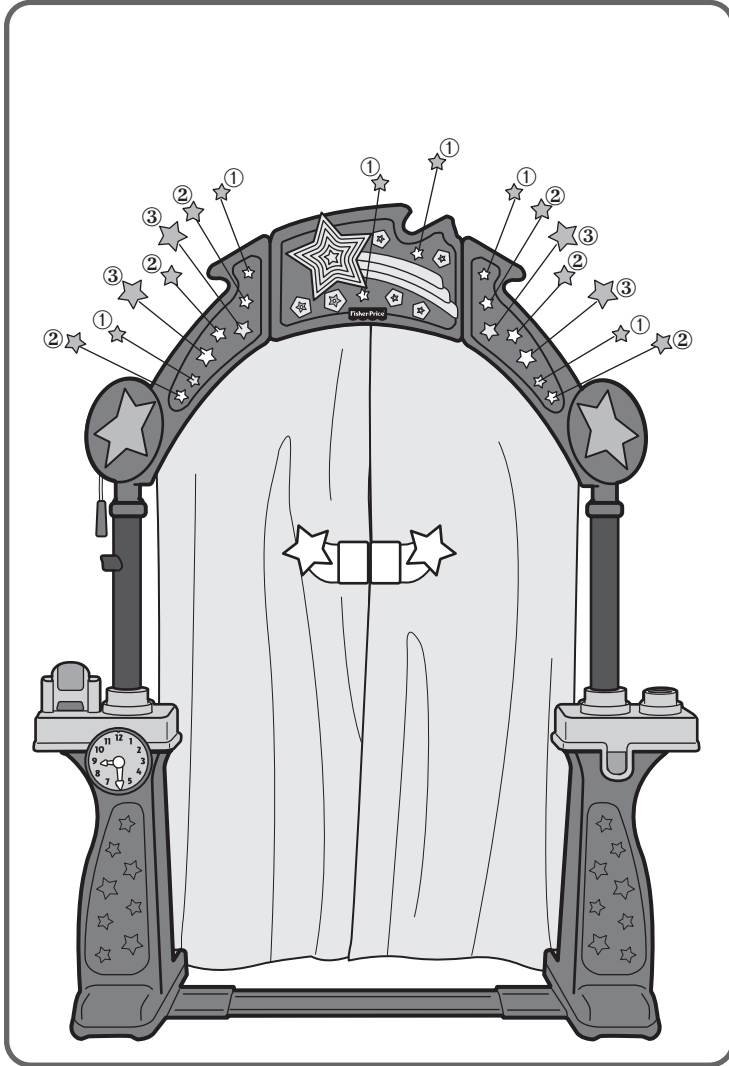


- Position the archway upright with the curtains over the base assembly. Make sure the Fisher-Price® logo on the archway assembly and the clock on the base assembly face the same way.
- Fit the holes in the archway onto the posts on the base assembly.
- Insert two 1/2" screws through the archway and into each post. Tighten the screws with a Phillips screwdriver. Do not over-tighten.

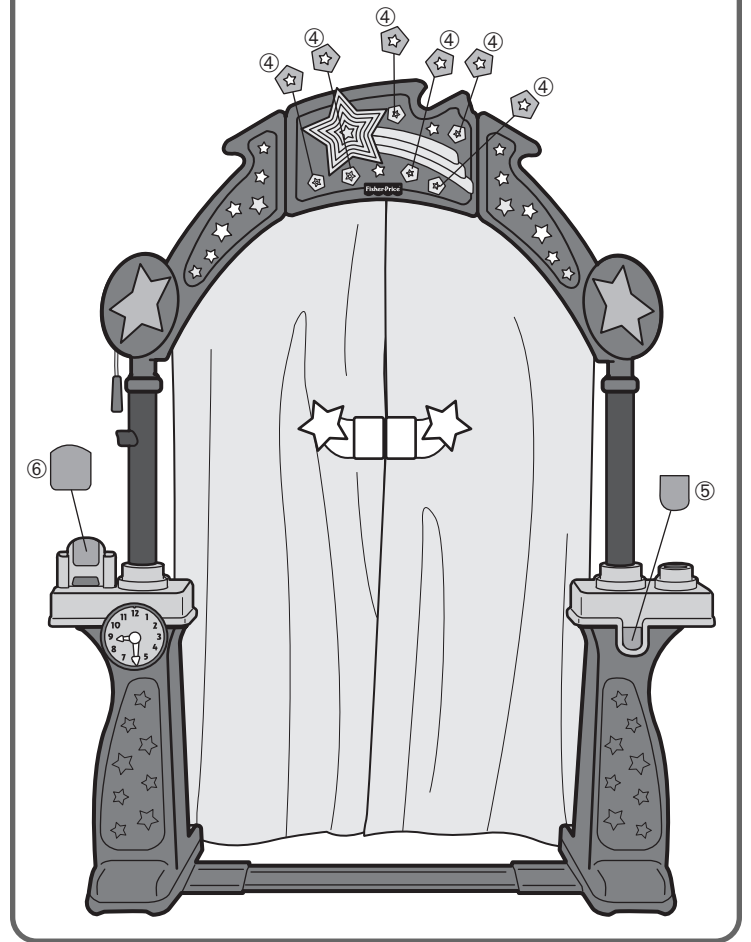
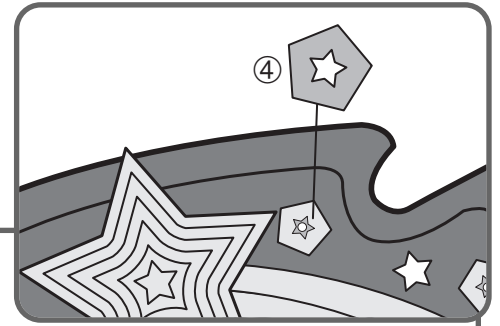
# DECORATION

**Proper label application will help to keep the labels looking their best!**

- Wash your hands before applying the labels.
- Make sure the areas where the labels will be applied are clean and dry. Wipe this product with a clean, soft, dry cloth to remove any dust or oils before applying the labels.
- For best results, do not attempt to apply a label more than once.

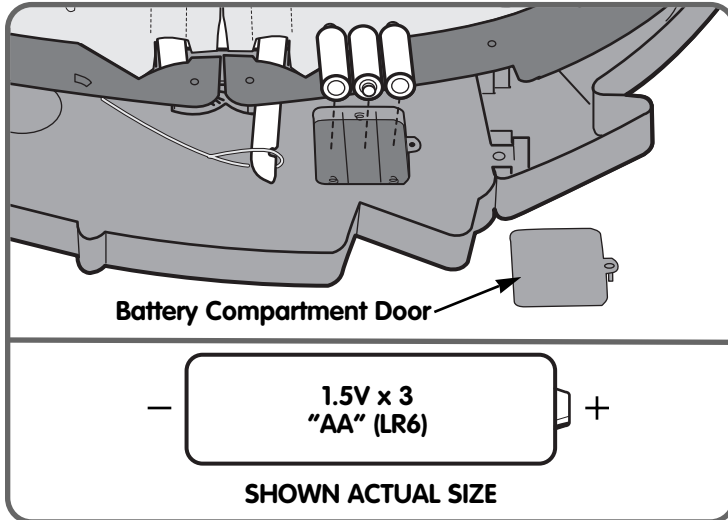


- First apply the small stars ① to the archway.
- Then apply the medium stars ② to the archway.
- Apply the large stars ③ to the archway.



- Remove one outline star label ④ from the label sheet. Remove the star from the inside, leaving an outline star label ④. Apply the outline star label ④ as shown in the illustration. Repeat this procedure to apply the other five outline star labels ④.
- Apply label ⑤ to the clipboard tongue.
- Apply label ⑥ to the ticket slot.

## BATTERY INSTALLATION

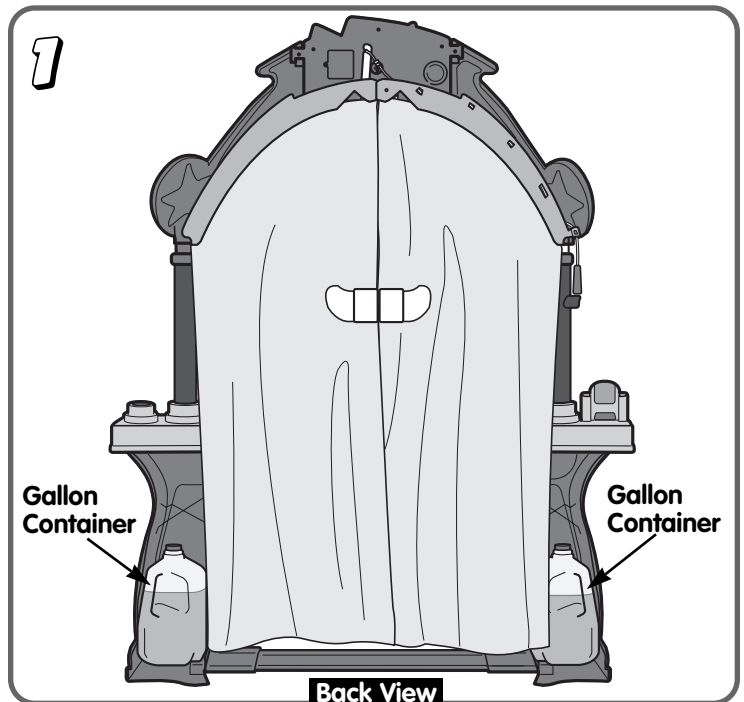


- Locate the battery compartment on the back side of the archway.
- Loosen the screw in the battery compartment door with a Phillips screwdriver.
- Lift to open the battery compartment door.
- Insert three, size "AA" (LR6) alkaline batteries as indicated inside the battery compartment.
- Replace the battery compartment door and tighten the screw with a Phillips screwdriver. Do not over-tighten.

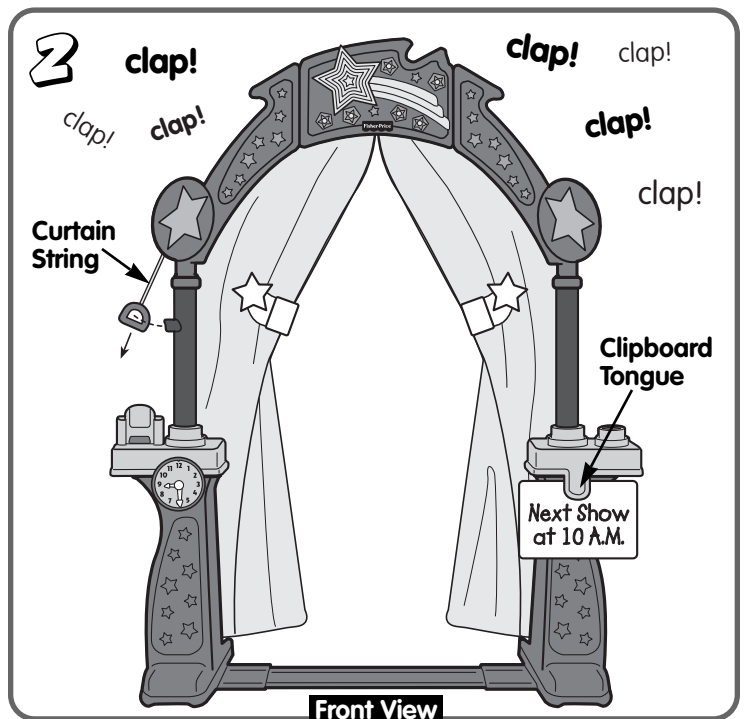
### Battery Tips

- Do not mix old and new batteries.
- Do not mix different types of batteries: alkaline, standard (carbon-zinc) or rechargeable (nickel-cadmium).
- Remove the batteries during long periods of non-use. Always remove exhausted batteries from the toy. Battery leakage and corrosion can damage the toy. Dispose of batteries safely.
- Never short circuit the battery terminals.
- Non-rechargeable batteries are not to be recharged.
- Only batteries of the same or equivalent type as recommended in the "Battery Installation" instructions are to be used.
- If removable rechargeable batteries are used, they are only to be charged under adult supervision.
- Rechargeable batteries are to be removed from the toy before they are charged.
- If you use a battery charger, it should be examined regularly for damage to the cord, plug, enclosure and other parts. Do not use a damaged battery charger until it has been properly repaired.

## IT'S SHOWTIME!



*Hint: For added stability, we recommend placing weight to the inside of each column. Simply use empty, gallon size juice or milk containers (not included). Fill the gallon containers  $\frac{3}{4}$  full with sand or water (not included). Be sure to replace the container cover. Fit a container into each column, as shown.*

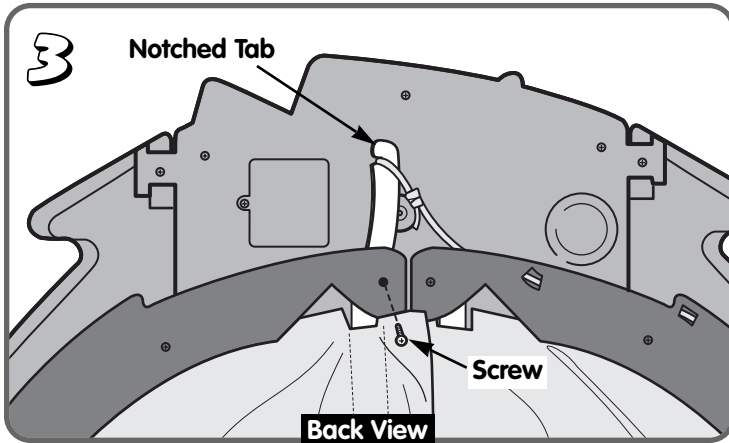


- Make your grand entrance! Pull the curtain string down and hook it to the knob on the post. You'll hear applause and the star lights glow.

### Hint:

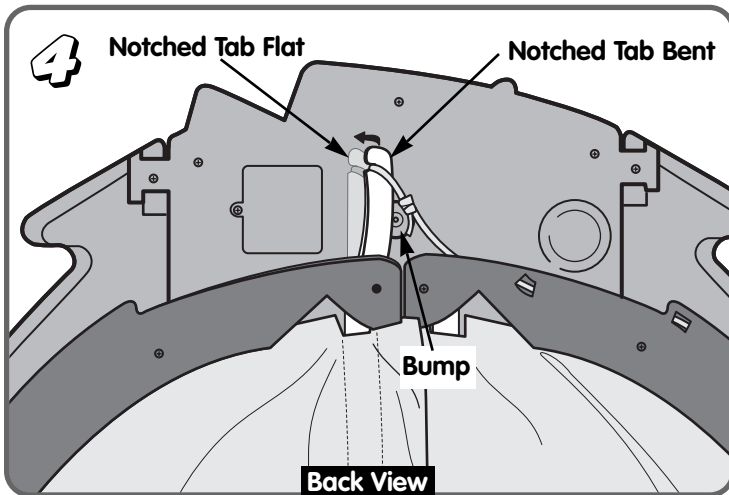
- Do not pull the curtain string forward or backward. Pull the curtain string straight down.
  - The star lights glow for approximately three minutes and then will automatically shut off.
- 7 • Fit your own sign under the clipboard tongue.

## IT'S SHOWTIME!



**IMPORTANT!** If you pull the curtain string and the star lights do not glow and you do not hear applause, you may need to reshape the plastic tab on the back of the curtain. During packaging and shipping, the notched tab on the curtain may bend. If this happens, you may need to bend the notched tab back into its original shape (flat).

- Tip the stage face down.
- Remove the screw near the notched tab from the archway with a Phillips screwdriver.



- Straighten the notched tab by bending it back towards the archway to straighten it. Make sure the notched tab is flat.
- Replace the screw into the archway. Tighten the screw with a Phillips Screwdriver. Do not over-tighten.
- Check to be sure the notched tab rubs across the bump on the archway. This triggers the lights and sound on the toy. If you still do not hear sound or see lights, review this step or check your battery installation (please review instructions on page 7).

## CARE

- Do not immerse any part of this toy. Surface wash this toy with a mild detergent and clean, soft cloth.
- If sound or lights from/on this toy become faint, or if there is no sound or lights, remove the batteries and dispose of them properly. Replace the batteries with three, new, size "AA" (LR6) alkaline batteries.

## FCC NOTE (UNITED STATES ONLY)

**Note:** This equipment has been tested and found to comply with the limits for a Class B digital device, pursuant to Part 15 of the FCC Rules. These limits are designed to provide reasonable protection against harmful interference in a residential installation. This equipment generates, uses and can radiate radio frequency energy and, if not installed and used in accordance with the instructions, may cause harmful interference to radio communications. However, there is no guarantee that interference will not occur in a particular installation. If this equipment does cause harmful interference to radio or television reception, which can be determined by turning the equipment off and on, the user is encouraged to try to correct the interference by one or more of the following measures:

- Reorient or relocate the receiving antenna.
- Increase the separation between the equipment and receiver.
- Consult the dealer or an experienced radio/TV technician for help.

## CONSUMER INFORMATION



**Questions? We'd like to hear from you!**

Call Fisher-Price® Consumer Affairs, toll-free at **1-800-432-KIDS**, 8 AM - 5 PM EST Monday through Friday. Hearing-impaired consumers using TTY/TDD equipment, please call 1-800-382-7470. Or, write to:

Fisher-Price® Consumer Affairs  
636 Girard Avenue  
East Aurora, New York 14052

[www.fisher-price.com](http://www.fisher-price.com)

If you have any questions about this product:

**In Canada**, call 1-800-567-7724, or write to: Mattel Canada Inc., 6155 Freemont Blvd., Mississauga, Ontario L5R 3W2.

**In Great Britain**, telephone 01628 500303.

**In Australia**, Mattel Australia Pty. Ltd., 658 Church Street, Locked Bag #870, Richmond, Victoria 3121 Australia. Consumer Advisory Service 1-800-800-812 (valid only in Australia).