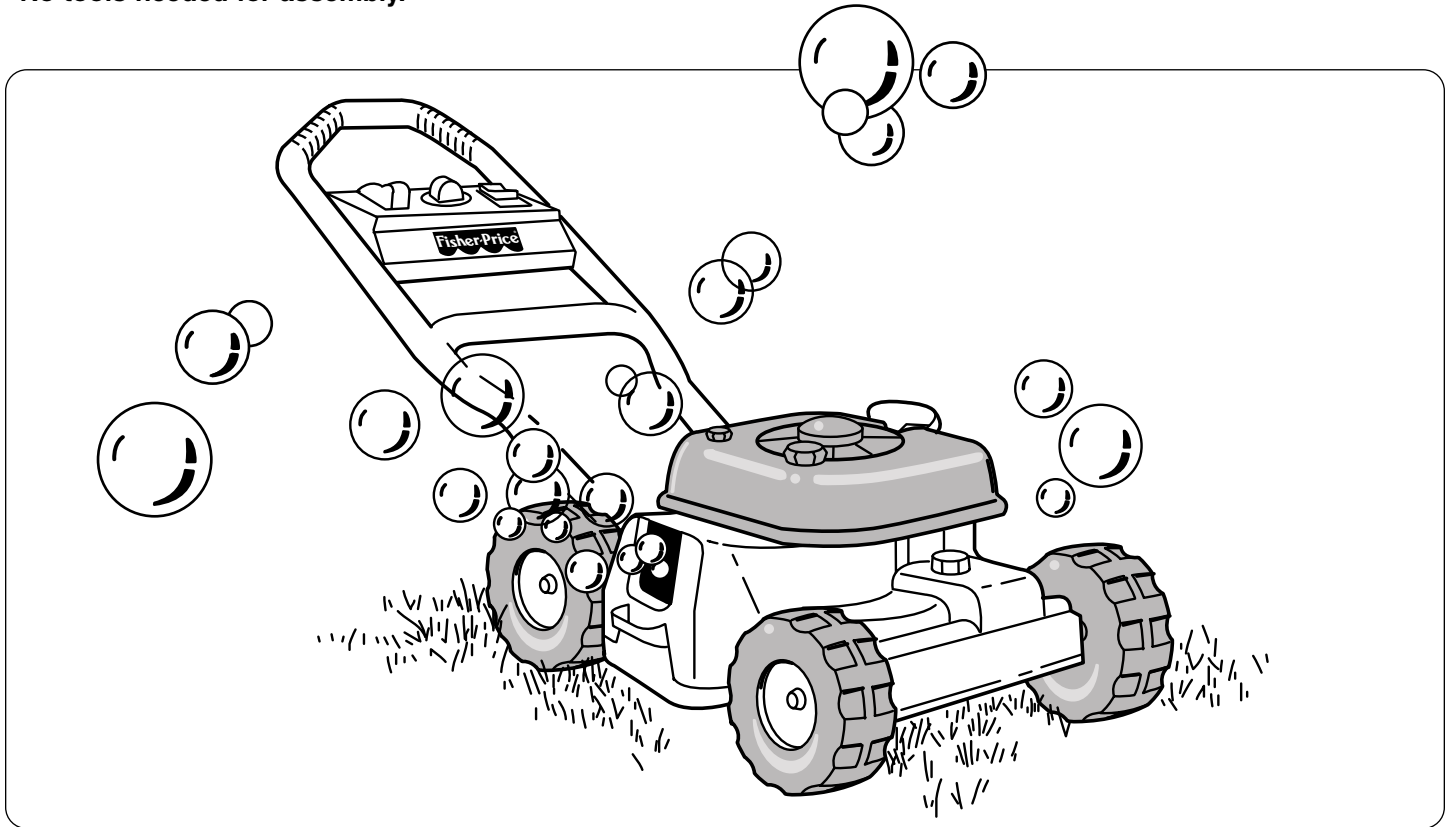


Instructions

Fisher-Price®

Bubble Mower

- Please save these instructions for future reference.
- Adult assembly is required.
- No tools needed for assembly.



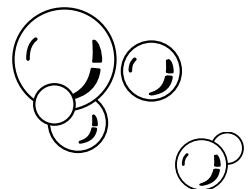
Message to Parents

- Please make sure your child does not follow you using the Bubble Mower while you are operating a real lawnmower. Also, your child should play in a separate area away from the area where you are mowing.
- Please make sure your child understands that only bubble solution should be used in the Bubble Mower.
- Please make sure your child understands that bubble solution is not for drinking and that it should be kept away from the eyes.
- While filling or cleaning the Bubble Mower, try to avoid spilling bubble solution on the floor. It may create slippery floor conditions.
- Do not spill bubble solution on detergent-sensitive surfaces.

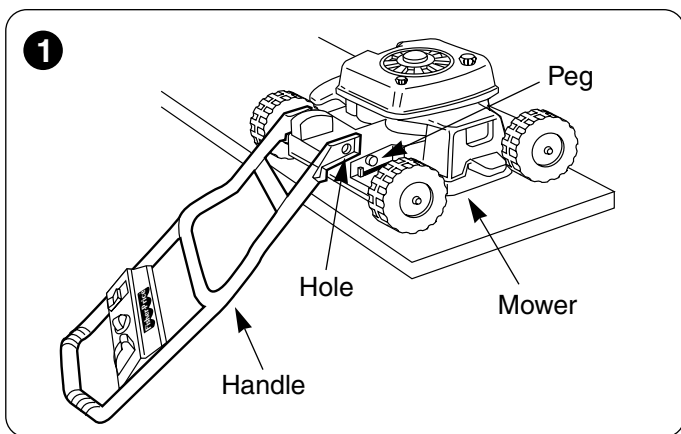
If you have any questions about this product, please call Fisher-Price Consumer Affairs, toll-free at **1-800-432-KIDS** (1-800-432-5437) between 8 AM and 6 PM Eastern time, Monday through Friday, or write to:

Fisher-Price, Inc.
Attn: Consumer Affairs
636 Girard Avenue
East Aurora, New York 14052

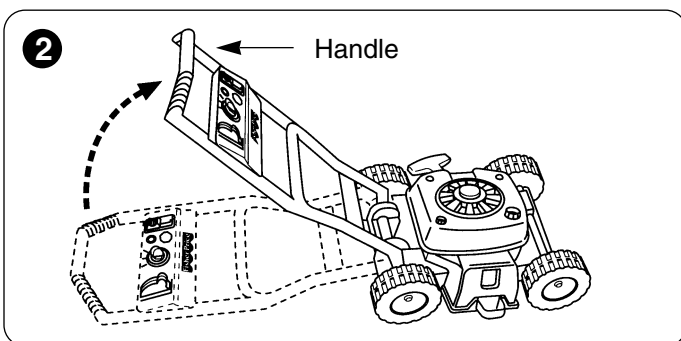
Hearing-impaired consumers using TTY/TDD equipment, please call 1-800-382-7470.



Assembly

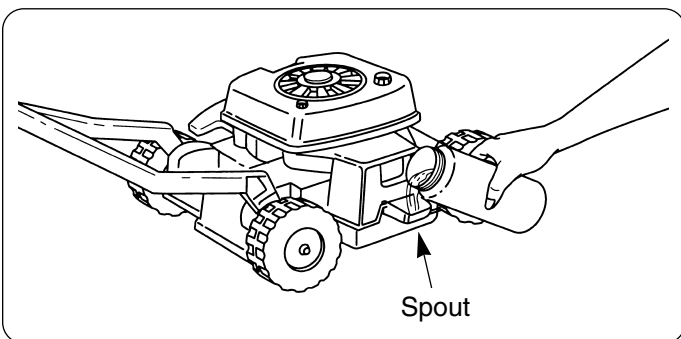


- Place the mower on a flat surface.
- Position the handle with the Fisher-Price logo facing up.
- With the handle angled down, slide the hole on one side of the handle onto the peg near the rear wheel.
- Fit the hole on the other side of the handle onto the peg near the other rear wheel.



- Lift the handle until it snaps into an upright position.
- PLEASE NOTE:** Make sure the tabs at the ends of the handle fit into the slots near the rear wheels when the handle is raised. If the tabs do not fit into the slots, remove the handle and repeat steps 1 and 2.

Use

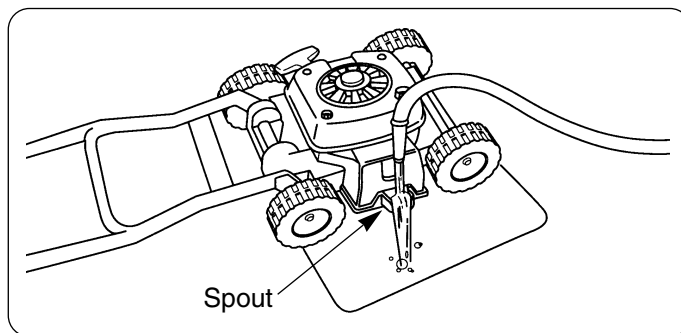


- Pour bubble solution into the mower spout. For refills, use commercial bubble solution.

- Bubbles will begin flowing after the Bubble Mower has been pushed about 15-20 walking steps. As long as the Bubble Mower is being pushed, the bubbles continue.
- When using the Bubble Mower with bubble solution, we recommend using it outdoors on a flat surface or in short grass.
- If your Bubble Mower does not make bubbles:
 - Check to be sure there is enough bubble solution in the Bubble Mower.
 - Empty the bubble solution from the Bubble Mower. Fill the Bubble Mower with fresh bubble solution.
 - Wash the bubble chamber (see "Clean-Up").

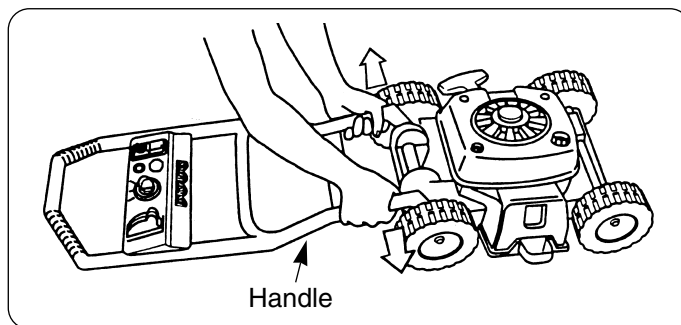
PLEASE NOTE: We do not recommend the use of silicones or oily lubricants on this product. As with any bubble producing toy, when even a very small amount of silicone or oily lubricants are put into or used near the bubble chamber, bubbles will not form.

Clean-Up



- Tip the Bubble Mower on its side to empty the bubble chamber.
- Discard the bubble solution.
- Place the spout under a water faucet or a garden hose spigot.
- Run clean water into the spout, rotate the back wheels a few times, then pour the water out.
- Repeat this procedure if necessary.

Storage



- To remove the handle, lower the handle. Pull the ends of the handle outward to remove the handle from the mower.
- Rinse the Bubble Mower thoroughly with clean water before storing it for long periods of time.