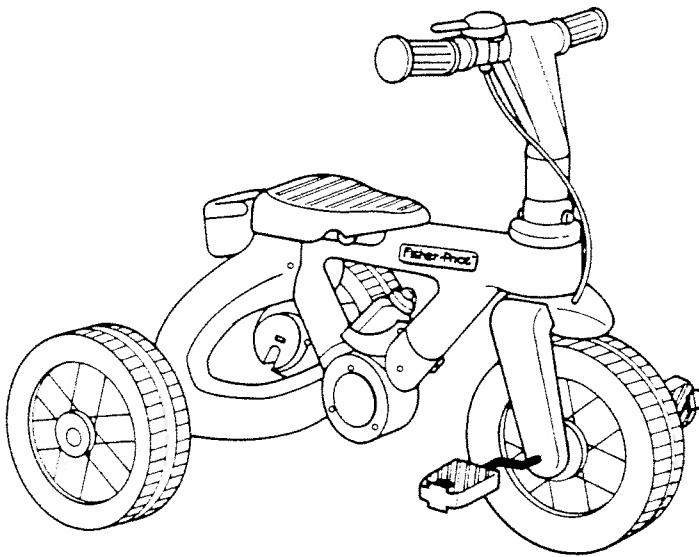


Instructions

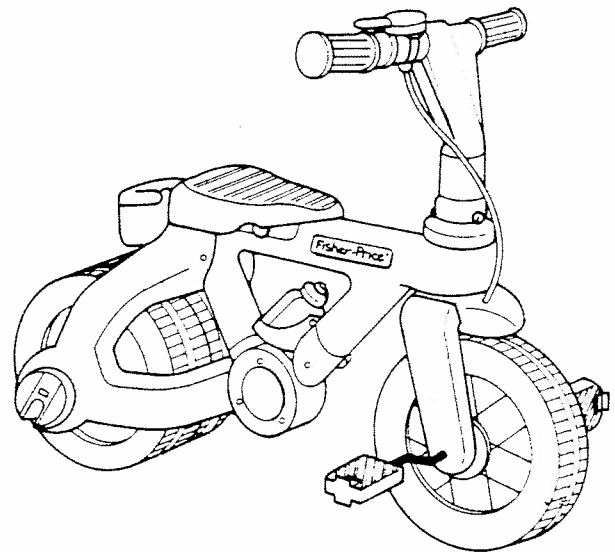
Mountain Trike/Bike

Model Numbers: 2645, 2646

- Please keep these instructions for future reference.
- Adult assembly is required.
- Age: 2-5 years.
- Weight Limit: 50 lbs. (22.6 kg)
- Tools needed for assembly: Phillips Screwdriver (small and large).



Trike Use



Bike Use

WARNING

- Adult supervision is required.
- When using as a bike, always wear a bicycle helmet which complies with ANSI Z90.4 or Snell requirements.
- Never use near steps, sloped driveways, hills, roadways, alleys, swimming pool areas or other bodies of water.
- Always wear shoes or sneakers.
- Never allow more than one rider.

CAUTION

Please keep small parts, hardware and plastic bags out of children's reach.

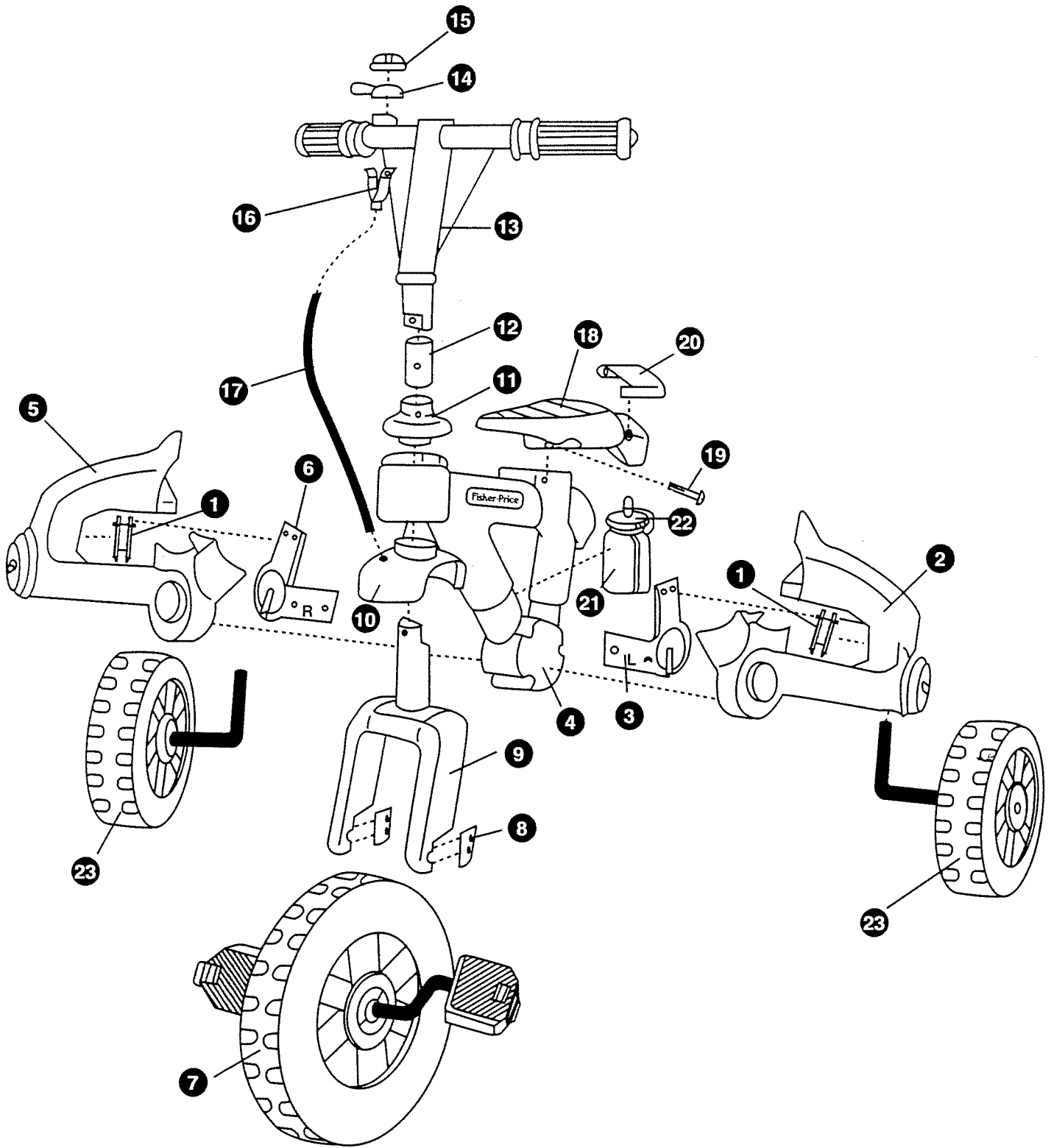
Message to Parents



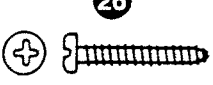


Thank you for purchasing the Fisher-Price Mountain Trike/Bike. The Mountain Trike/Bike should be assembled by an adult. Please read these instructions carefully and identify all parts before assembly. Refer to the parts illustration and parts list for identification.

If you have any questions about this product, please call Fisher-Price Consumer Affairs, toll-free at **1-800-432-KIDS** (1-800-432-5437), between 8 AM and 6 PM Eastern time, Monday through Friday, or write to:

Fisher-Price, Inc.
Attn: Consumer Affairs
636 Girard Avenue
East Aurora, New York 14052

Hearing-impaired consumers using TTY/TDD equipment, please call 1-800-382-7470.



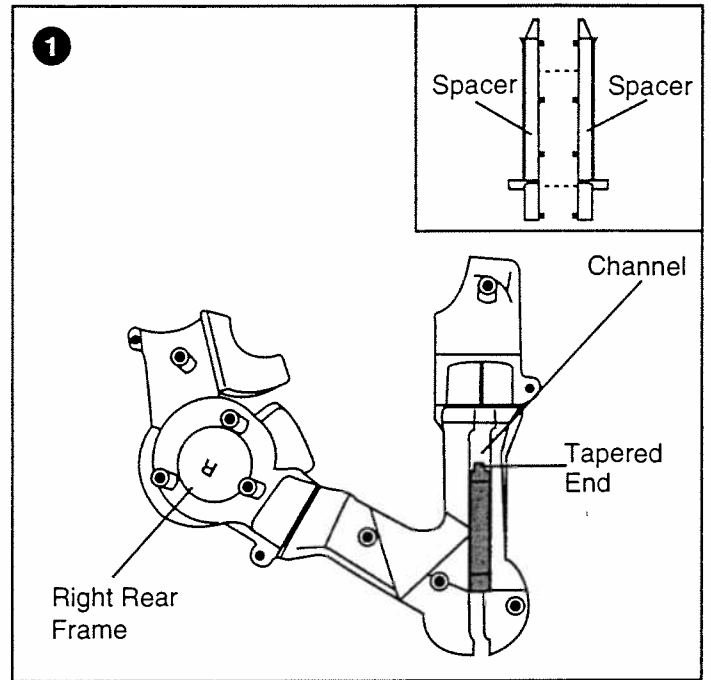
  24	 26
 27	 25
Acorn Nut - 1 #8 x 3/4" Screw - 23	#4 x 3/4" Screw - 3 #10 - 24 x 2" Screw - 1

(ALL SHOWN ACTUAL SIZE)

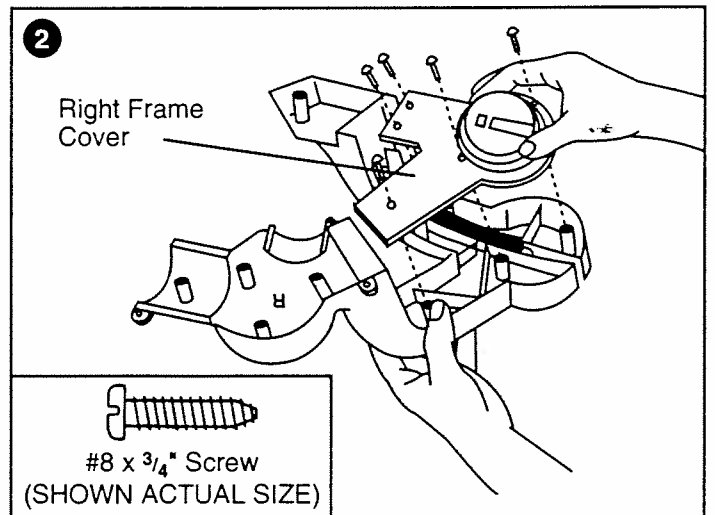
Illustration Number	Part Description	Quantity
1	Spacer	4
2	Left Rear Frame	1
3	Left Frame Cover	1
4	Main Frame	1
5	Right Rear Frame	1
6	Right Frame Cover	1
7	Front Wheel Assembly	1
8	Pedal Axle Cover	2
9	Fork	1
10	Fender	1
11	Collar	1
12	Sleeve	1
13	Handlebar	1
14	Gear Shift	1
15	Gear Shift Cover	1
16	Gear Shift Bracket	1
17	Gear Shift Cable	1
18	Seat	1
19	Seat Peg	1
20	Saddle Bag Door	1
21	Water Bottle	1
22	Water Bottle Cover	1
23	Rear Wheel Assembly	2
24	Acorn Nut	1
25	#10 – 24 x 2" Screw	1
26	#4 x 3/4" Screw	3
27	#8 x 3/4" Screw	23
28	Label Sheet (not shown)	1

Please save all packaging material until assembly is complete to ensure that no parts are discarded.

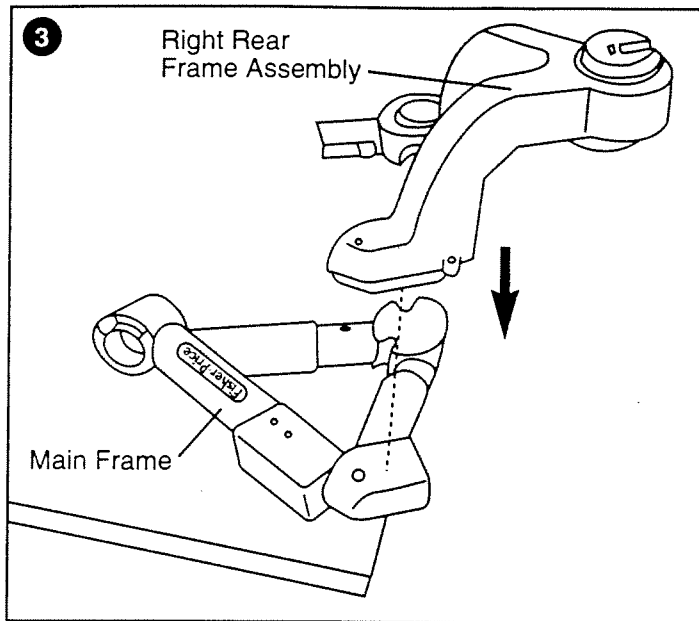
Frame Assembly



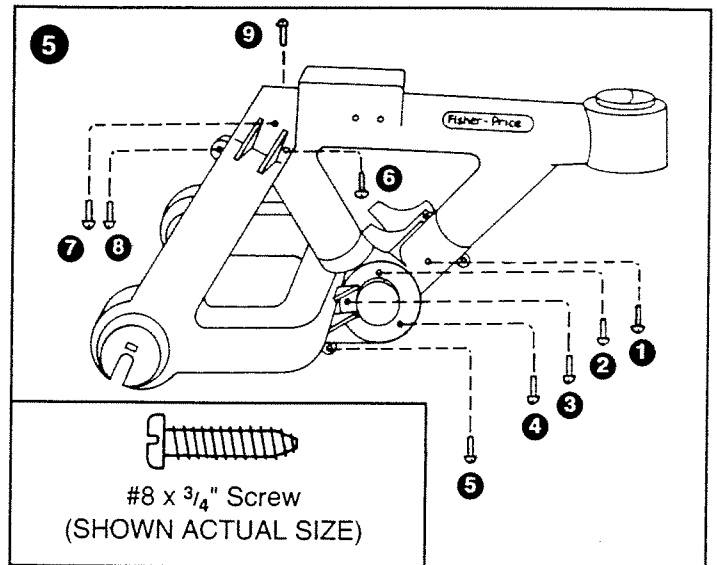
- Fit the two spacers together to form a cylinder.
- Position the right rear frame, as shown.
- Fit the spacers into the channel in the right rear frame, exactly as shown. Make sure the tapered end is pointing upward.



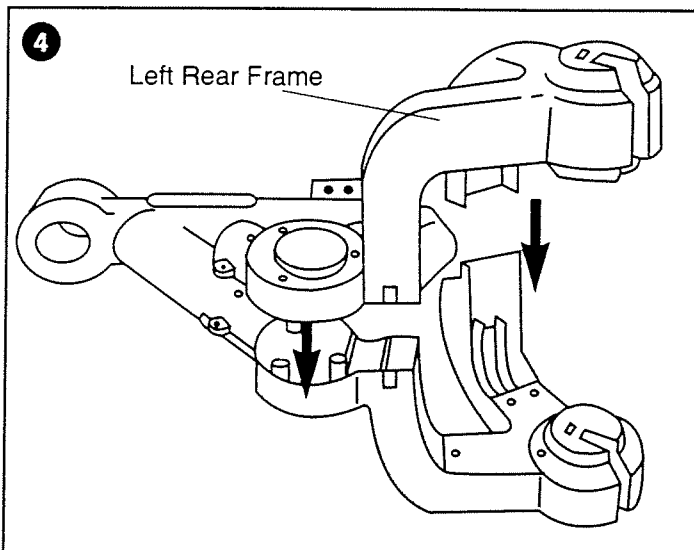
- Place the right frame cover onto the right rear frame.
- Insert five #8 x 3/4" screws and tighten with a Phillips screwdriver. Do not over-tighten.
- Repeat steps 1 and 2 to assemble the remaining two spacers, the left rear frame and the left frame cover.



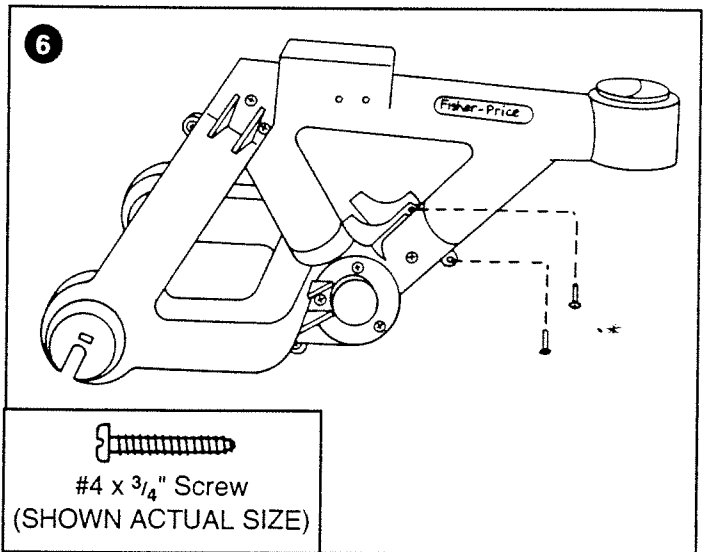
- Place the main frame on a table.
- Fit the right rear frame assembly onto the main frame.



- Position the main frame assembly upright.
- Insert nine #8 x 3/4" screws and tighten with a Phillips screwdriver. Do not over-tighten.

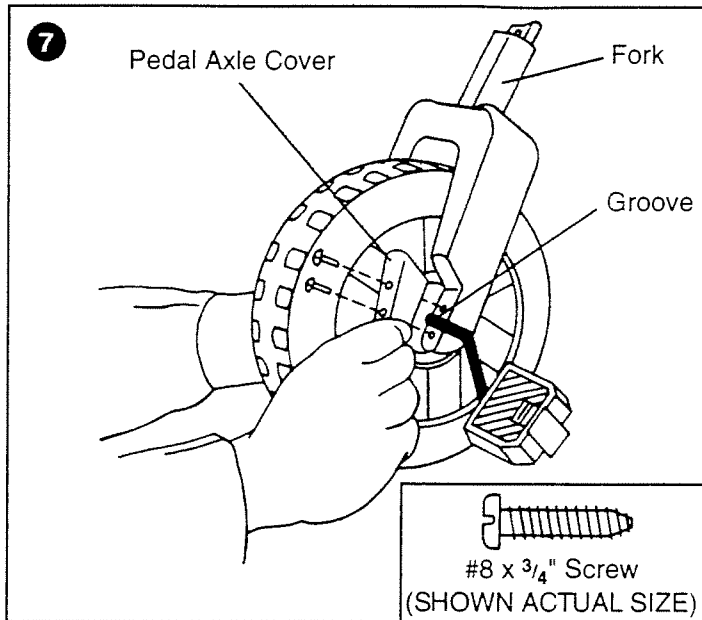


- Turn the main frame assembly over.
- Fit the left rear frame onto the main frame assembly.

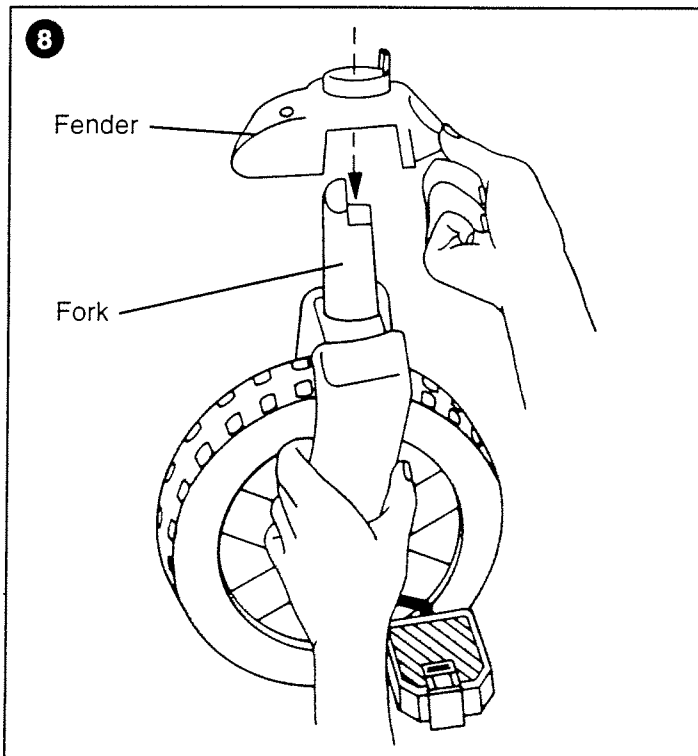


- Insert two #4 x 3/4" screws and tighten with a Phillips screwdriver. Do not over-tighten.

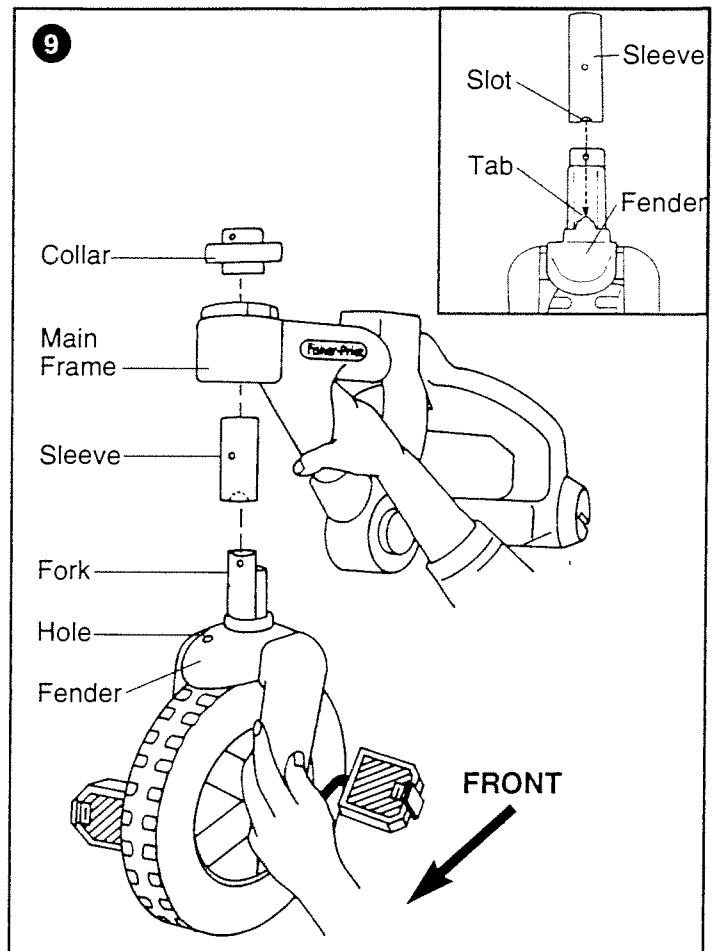
Front Wheel Assembly



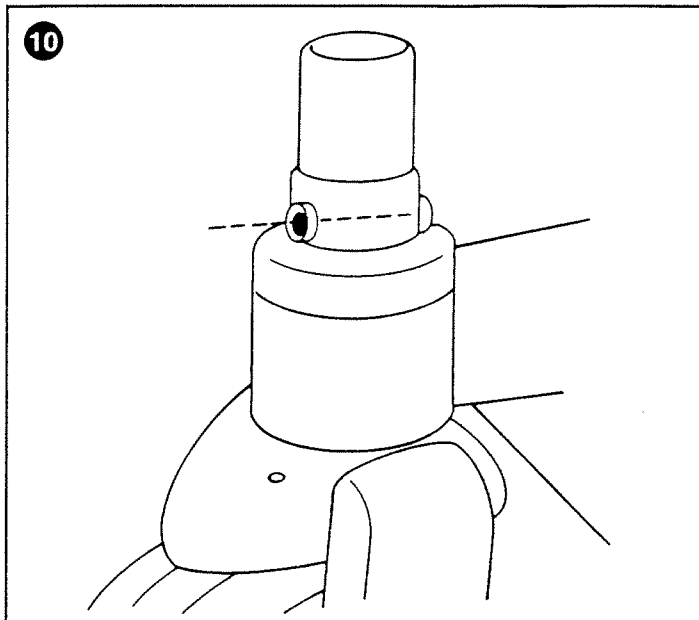
- Place the front wheel assembly between the fork arms so that the pedal axle fits into the groove on each fork arm.
- Place a pedal axle cover onto one side of the front wheel assembly.
- Insert two #8 x $\frac{3}{4}$ " screws and tighten with a Phillips screwdriver. Do not over-tighten.
- Repeat this procedure to attach the other pedal axle cover to the other side of the front wheel assembly.



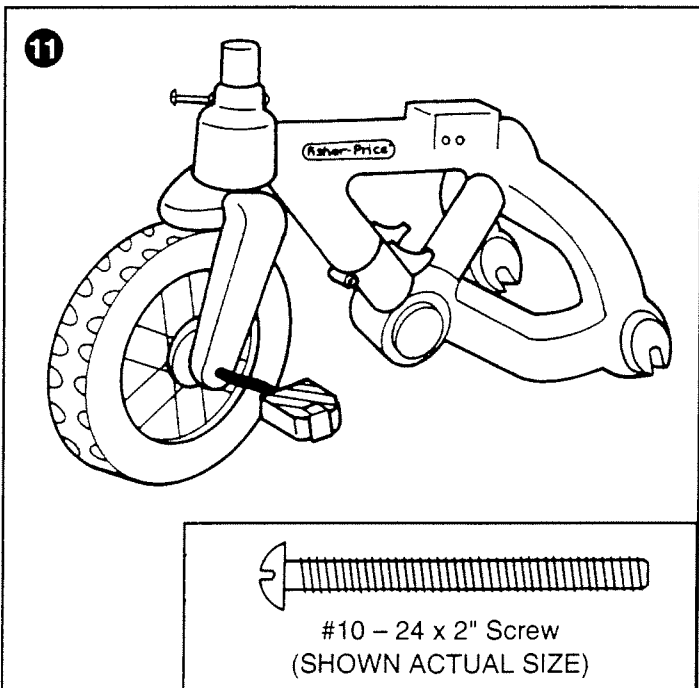
- Place the fender onto the fork as shown.



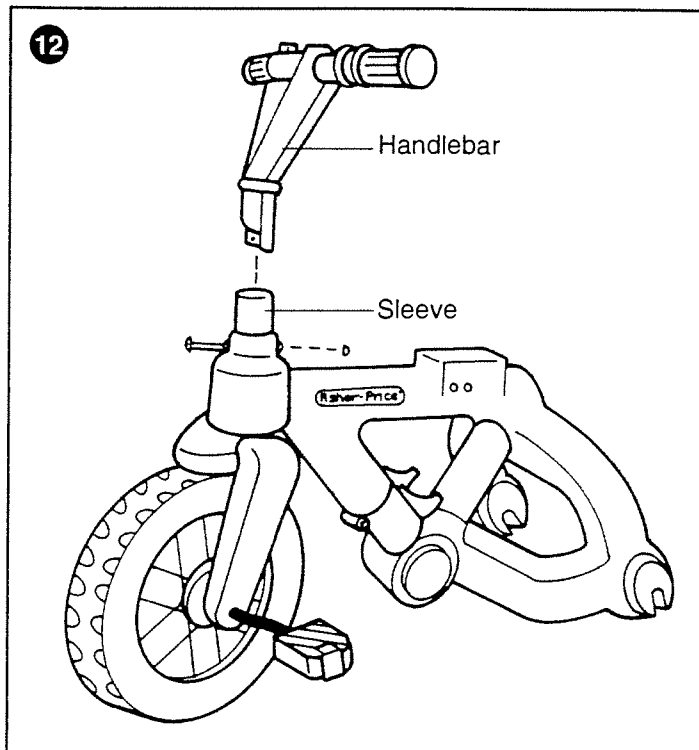
- Slide the sleeve onto the fork and onto the raised tab on the fender.
- Insert the fork up through the hole in the main frame.
- Make sure the hole in the fender faces the front of the Mountain Trike/Bike.
- Position the collar so that the hexagonal hole faces the back of the Mountain Trike/Bike.
- Slide the collar onto the sleeve and then the main frame.



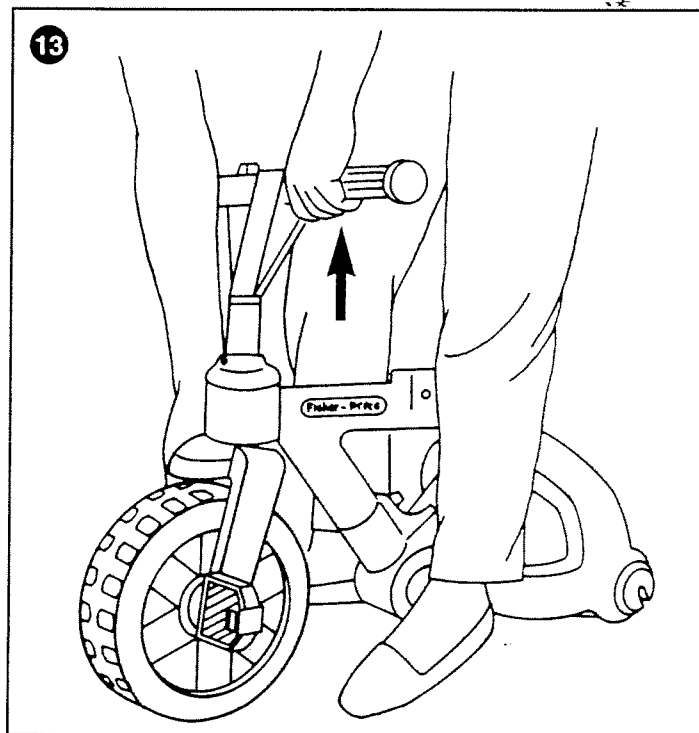
- Align the hole in the sleeve with the hole in the collar and the hole in the fork.



- Insert the #10 - 24 x 2" screw **halfway** into the hole in the collar, sleeve and fork.
- PLEASE NOTE:** This will keep these three parts properly aligned.



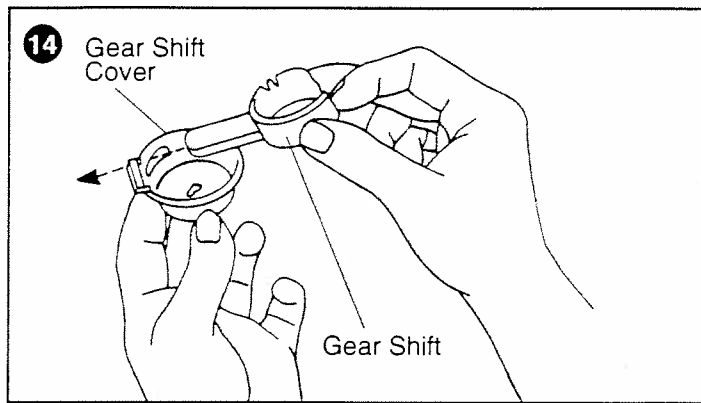
- Insert the handlebar into the sleeve. The handlebar should tilt toward the back of the Mountain Trike/Bike.
- Continue to insert the #10 - 24 x 2" screw into the handlebar.
- Place the acorn nut in the hexagonal hole in the collar and attach it to the end of the screw.
- Tighten the screw with a Phillips screwdriver. Do not over-tighten.



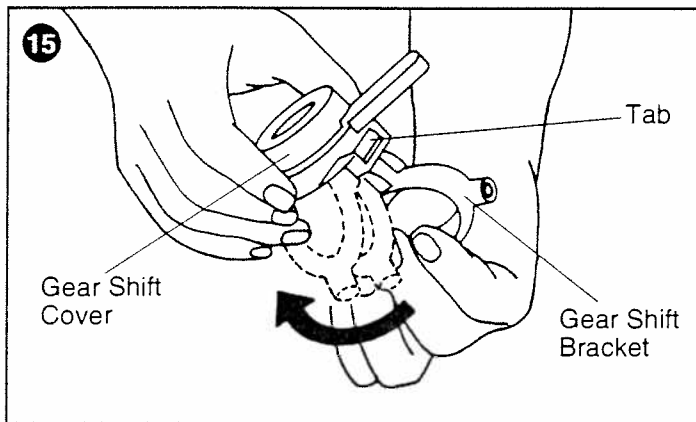
IMPORTANT!

- Pull up on the handlebar to be sure it is properly attached. If the handlebar is not secure, remove the #10 - 24 x 2" screw and repeat assembly steps 10 - 13.

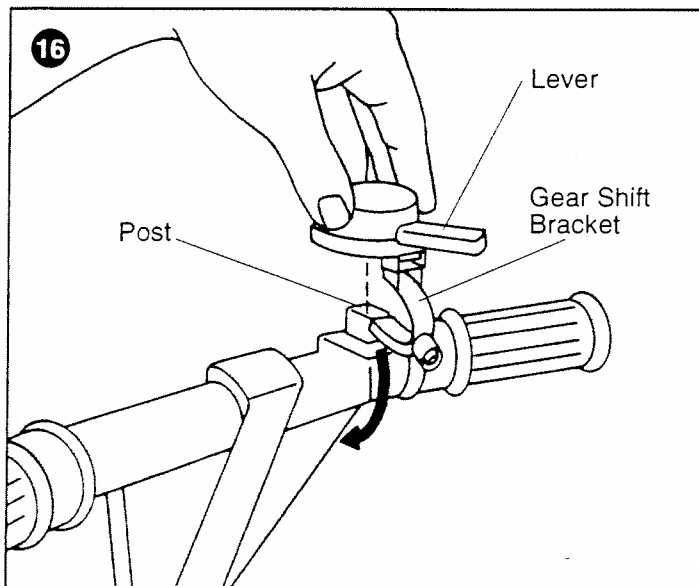
Gear Shift Assembly



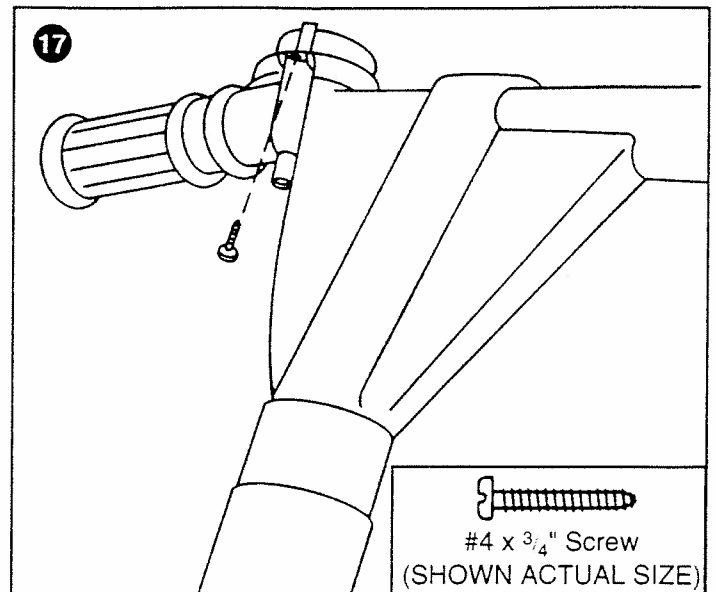
- Insert the gear shift (open end up) into the slot in the gear shift cover.



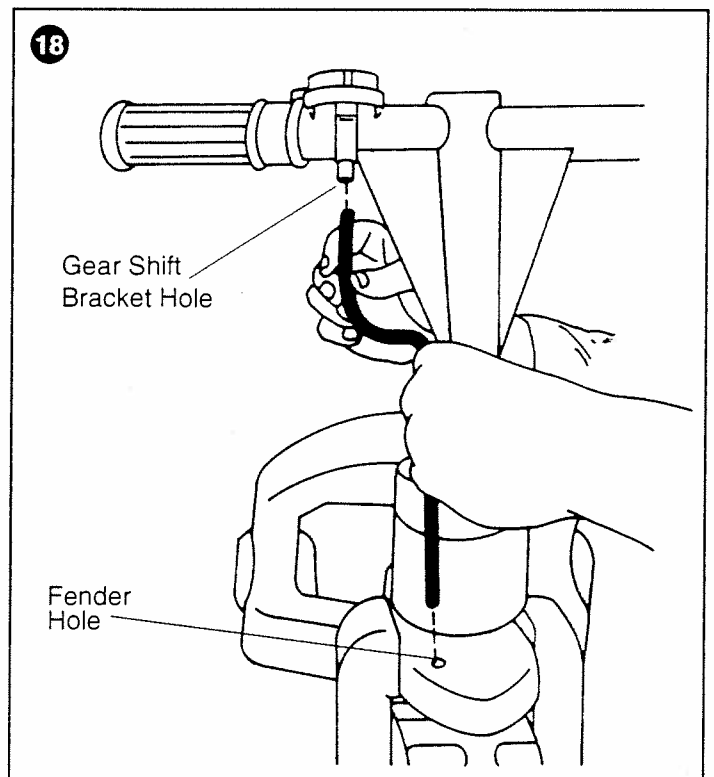
- Insert the tab on the gear shift bracket into the slot in the gear shift cover.
- Rotate the gear shift bracket down until you hear a snap, and then continue to rotate it until you hear another snap.



- Place the gear shift assembly onto the post on the handlebar. Make sure the lever faces the back of the Mountain Trike/Bike.
- Rotate the gear shift bracket around the bottom of the handlebar.

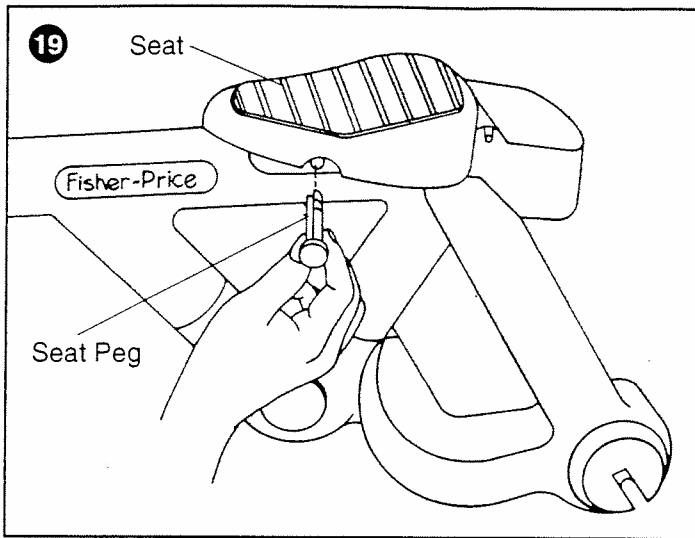


- Insert a #4 x 3/4" screw into the gear shift bracket and tighten it with a Phillips screwdriver. Do not over-tighten.



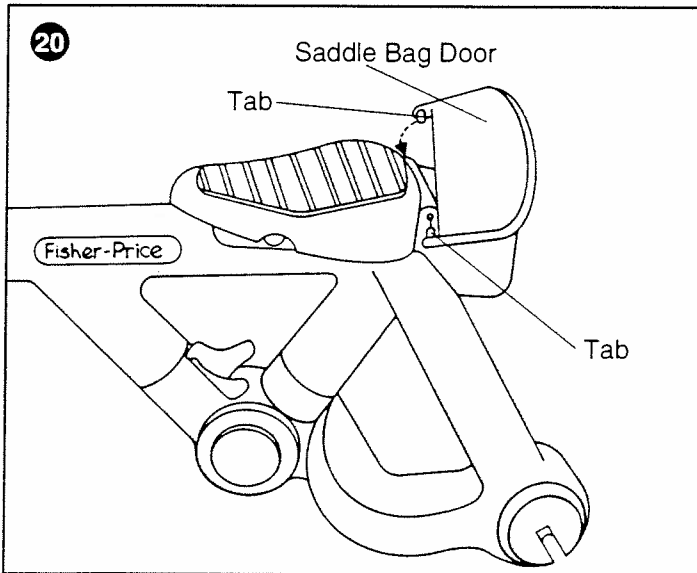
- Insert one end of the gear shift cable into the hole in the fender.
- Insert the other end of the gear shift cable into the gear shift bracket.

Seat and Water Bottle Assembly

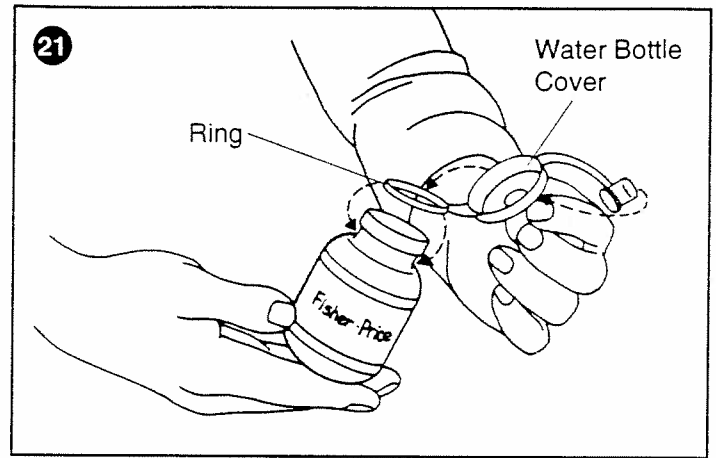


- Place the seat onto the main frame.
- Insert the seat peg into the front hole or rear hole in the main frame.

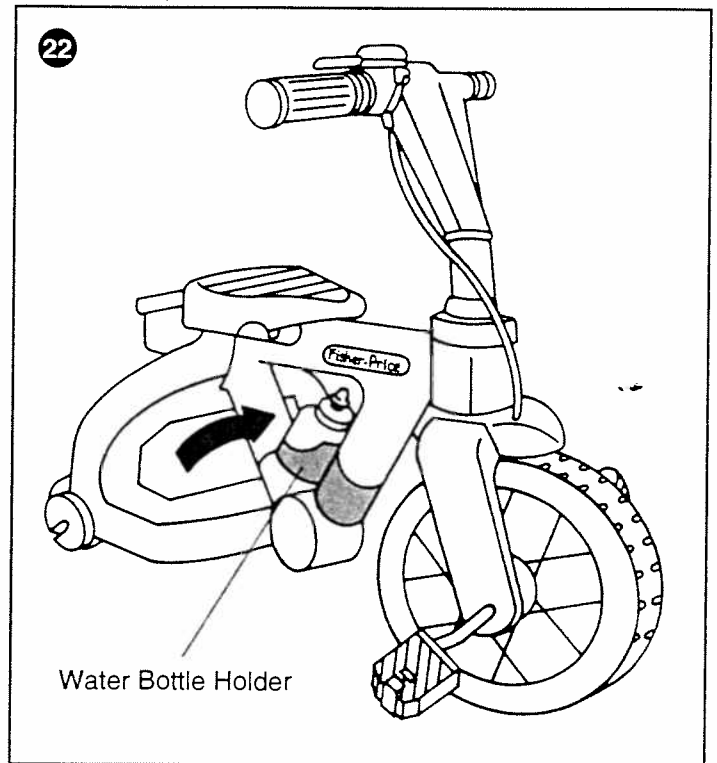
PLEASE NOTE: Check your child's fit on the Mountain Trike/Bike by observing the seat to pedal distance, as it is being ridden. If the pedals seem too far away, insert the seat peg into the front hole. If the pedals seem too close, insert the seat peg into the rear hole.



- Insert one of the tabs on the saddle bag door into the corresponding hole behind the seat.
- Snap the other tab on the saddle bag door into the corresponding hole behind the seat.

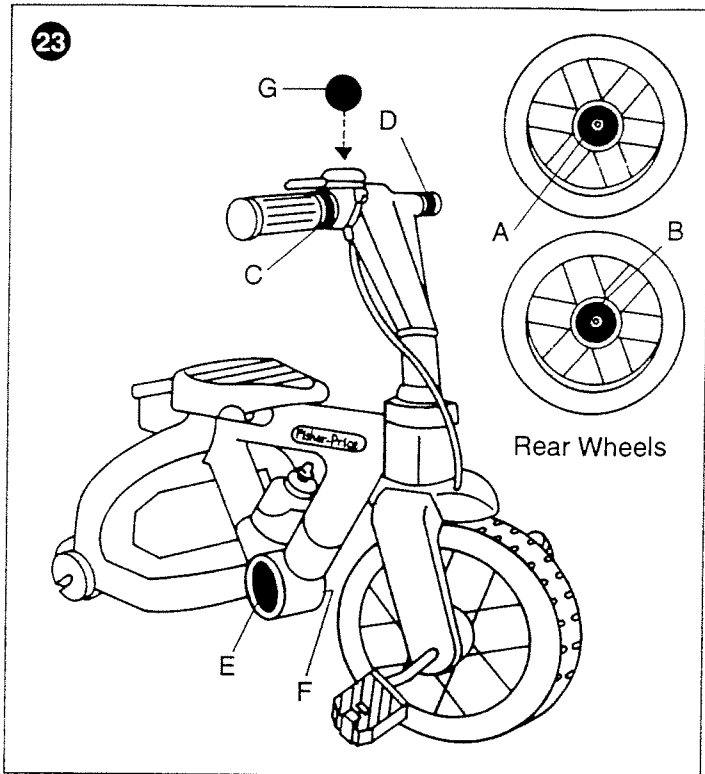


- Fit the water bottle cover ring over the neck of the water bottle.
- Snap the water bottle cover onto the water bottle. The cap fits over the water bottle cover spout.



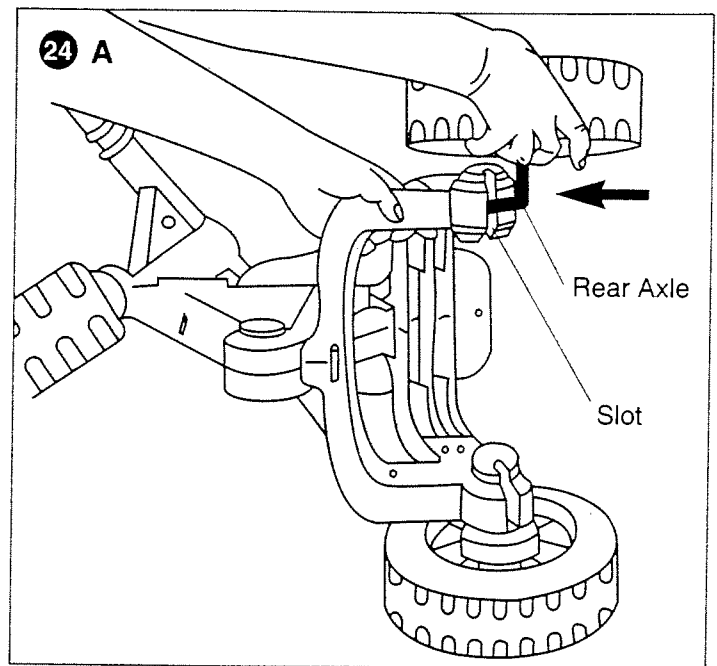
- Place the water bottle into the water bottle holder.

Label Decoration



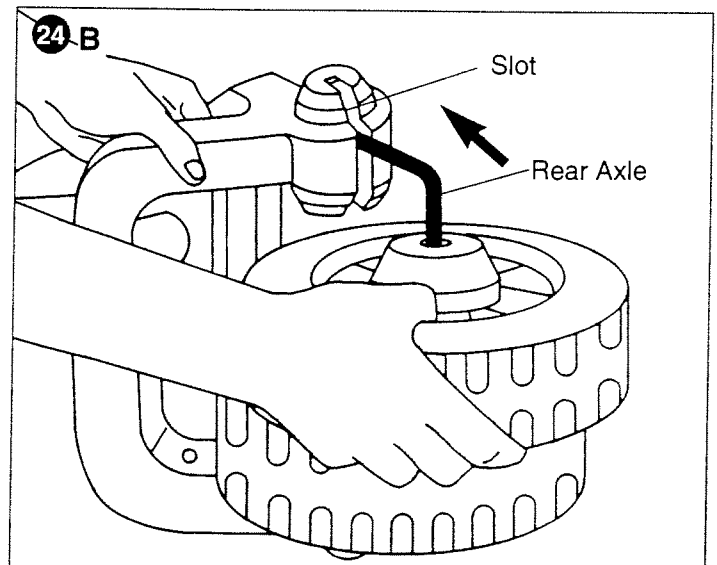
- Make sure the areas where the labels will be applied are clean and dry.
 - Apply the labels as indicated in the illustration.
- PLEASE NOTE:** The rear wheel labels should be applied to the flat side of each rear wheel.
- Apply the top corners of the label first and smooth downward to remove air bubbles.
 - For best adhesion, try to avoid applying the labels more than once.

For Trike Use



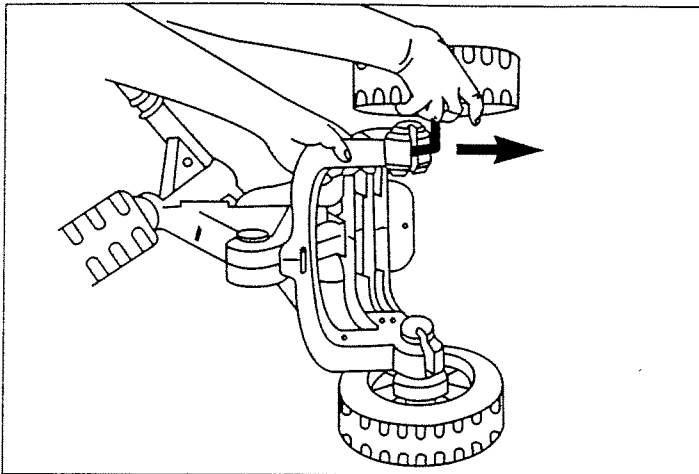
- Turn the Mountain Trike/Bike on its side.
 - Position the rear wheel so that it is outward and the rear axle is inward.
 - Insert the rear wheel axle up into the slot in the rear frame. Push it up until it "snaps" into position.
 - Repeat this procedure to install the other rear wheel.
- IMPORTANT!** Pull down on the rear wheels to be sure they are secure.

For Bike Use



- Turn the Mountain Trike/Bike on its side.
 - Position the rear wheel so that it is inward and the rear axle is outward.
 - Insert the rear wheel axle up into the slot in the rear frame. Push it up until it "snaps" into position.
 - Repeat this procedure to install the other rear wheel.
- IMPORTANT!** Pull down on the rear wheels to be sure they are secure.

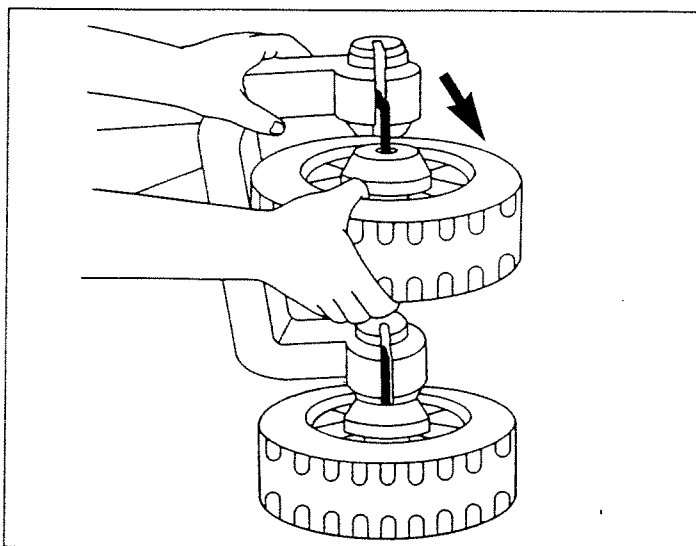
To Convert from Trike to Bike



- Turn the Mountain Trike/Bike on its side.
- Push down on the rear wheel until the rear axle snaps free.
- Position the rear wheel so that it is inward and the rear axle is outward.
- Insert the rear wheel axle up into the slot in the rear frame. Push it up until it "snaps" into position.
- Repeat this procedure to release and re-install the other rear wheel.

IMPORTANT! Pull down on the rear wheels to be sure they are secure.

To Convert from Bike to Trike



- Turn the Mountain Trike/Bike on its side.
- Push down on the rear wheel until the rear axle snaps free.
- Position the rear wheel so that it is outward and the rear axle is inward.
- Insert the rear wheel axle up into the slot in the rear frame. Push it up until it "snaps" into position.
- Repeat this procedure to release and re-install the other rear wheel.

IMPORTANT! Pull down on the rear wheels to be sure they are secure.

Maintenance

- Periodically check the Mountain Trike/Bike for loose screws and tighten as needed.
- Periodically inspect the Mountain Trike/Bike for wear or damage.
- To clean the Mountain Trike/Bike, use a mild soap and water solution and clean cloth. Rinse clean with water to remove soap residue.

Three (3) Year Limited Warranty

Fisher-Price, Inc., 636 Girard Avenue, East Aurora, New York 14052, warrants to the original owner that the Mountain Trike/Bike is free from all defects in material and workmanship when used under normal conditions for a period of three (3) years from the date of purchase.

Should the product fail to perform properly, we will repair or replace it at our option, free of charge. Purchaser is responsible for shipping the product to the Fisher-Price Product Service Department at the address indicated above and for all associated freight and insurance cost. Fisher-Price, Inc. will bear the cost of shipping the repaired or replaced item to you. This warranty is void if the owner repairs or modifies the product. This warranty excludes any liability other than that expressly stated above including but not limited to any incidental or consequential damages.

SOME STATES DO NOT ALLOW THE EXCLUSION OR LIMITATION OF INCIDENTAL OR CONSEQUENTIAL DAMAGES, SO THE ABOVE LIMITATION OR EXCLUSION MAY NOT APPLY TO YOU.

THIS WARRANTY GIVES YOU SPECIFIC LEGAL RIGHTS, AND YOU MAY ALSO HAVE OTHER RIGHTS WHICH MAY VARY FROM STATE TO STATE.