

# *Rock, Roll 'n Ride Trike*™

## Instructions

Model Number: 72669



**Please keep these instructions for future reference, as they contain important information.**

**Adult assembly is required.**

**Age: 1½ years - 5 years.**

**Weight Limit: 50 lbs.**

**Tools needed for assembly: Phillips Screwdriver, Hammer  
and Scrap Block of Wood (all not included).**

If you have any questions about this product, or are missing a part, please call us toll-free at **1-800-432-KIDS**, rather than return this product to the store.



## **WARNING**

- Adult supervision is required.
- Never use near steps, sloped driveways, hills, roadways, alleys, swimming pools or other bodies of water.
- Always wear shoes or sneakers.
- Never allow more than one rider.

## *Consumer Information*

This product requires adult assembly. Please set aside at least 30 minutes for assembly. Please read these instructions carefully and identify all parts before assembly. Refer to the parts illustration and parts list for identification.

Call Fisher-Price® Consumer Relations, toll-free at **1-800-432-KIDS**, 8 AM - 6 PM EST Monday through Friday. Hearing-impaired consumers using TTY/TDD equipment, please call 1-800-382-7470. Or, write to: Fisher-Price® Consumer Relations, 636 Girard Avenue, East Aurora, New York 14052.

*For other countries, outside the United States:*

**Canada:** call 1-800-567-7724, or write to: Mattel Canada Inc, 6155 Freemont Blvd., Mississauga, Ontario L5R 3W2.

**Great Britain:** telephone 01628 500303.

**Australia:** Mattel Australia Pty. Ltd., 658 Church Street, Locked Bag #870, Richmond, Victoria 3121 Australia. Consumer Advisory Service 1300 135 312.

**New Zealand:** 16-18 William Pickering Drive, Albany 1331, Auckland.

## *Fasteners*



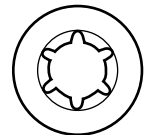
**Cap Nut – 2**



**#8 x 3" Screw – 1**



**#8 x 3/4" Screw – 13**

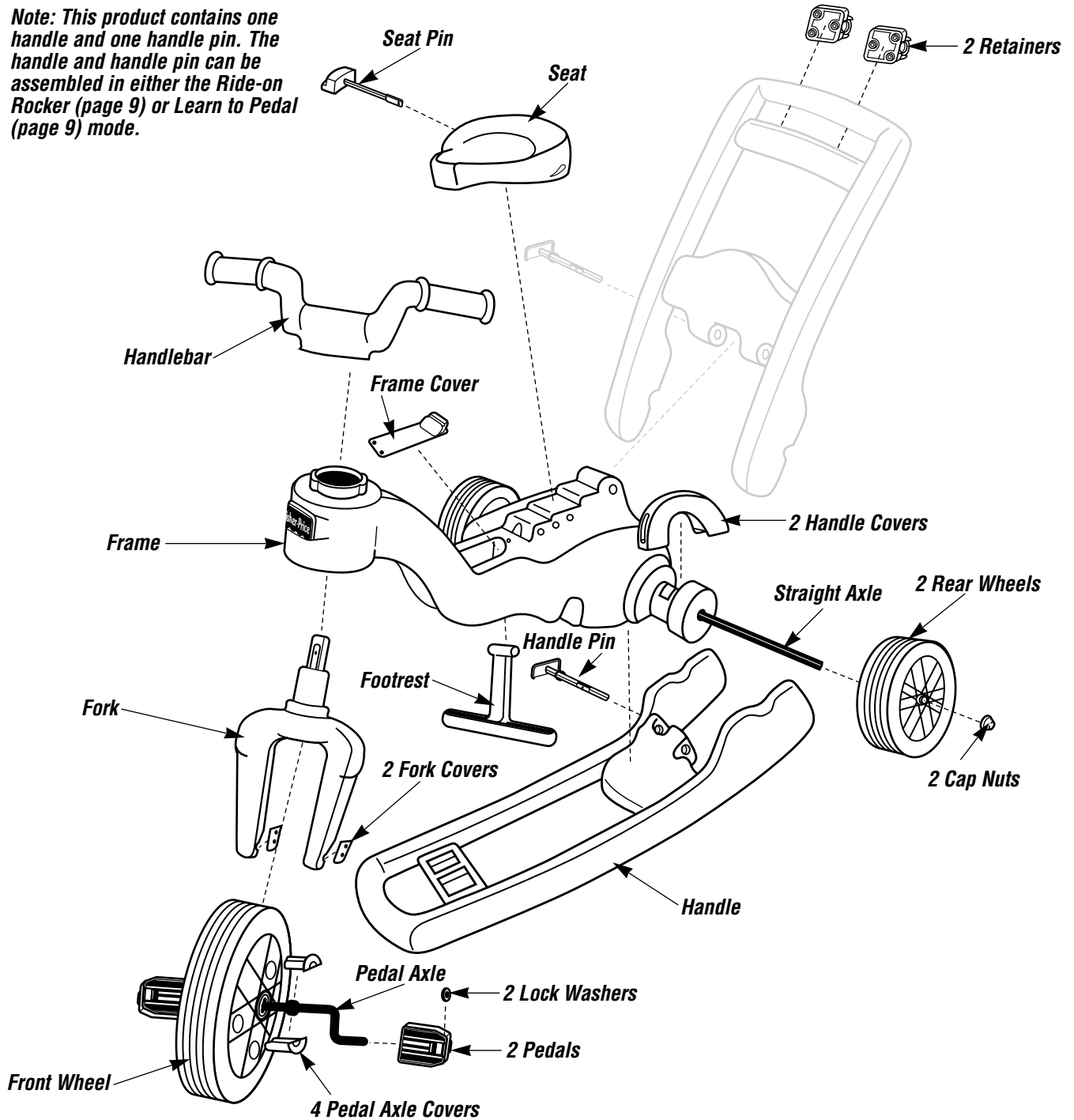


**Lock Washer – 2**

**ALL SHOWN ACTUAL SIZE**

# Parts

**Note:** This product contains one handle and one handle pin. The handle and handle pin can be assembled in either the Ride-on Rocker (page 9) or Learn to Pedal (page 9) mode.

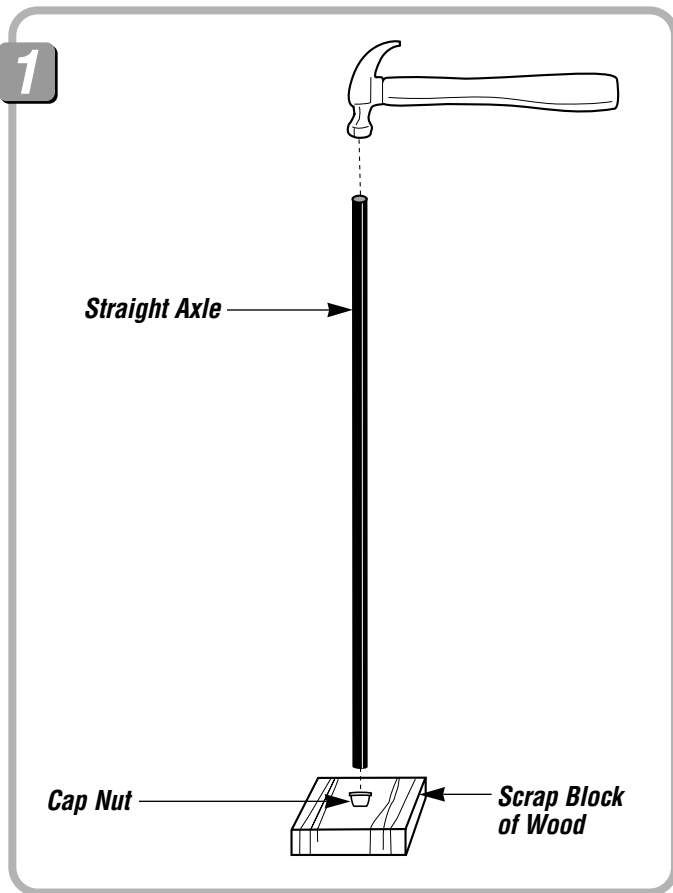


# Assembly

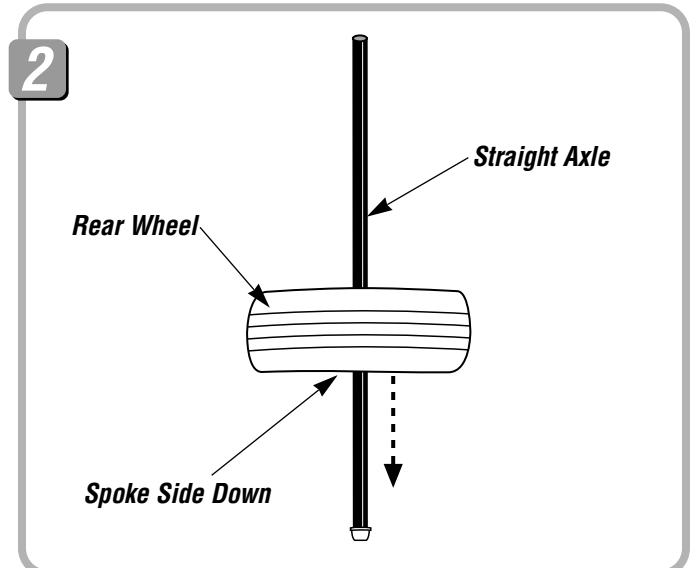
- Please save all packaging material until assembly is complete to ensure that no parts are discarded.
- Please wipe each part with a clean, dry, cloth before assembling this product.

## CAUTION

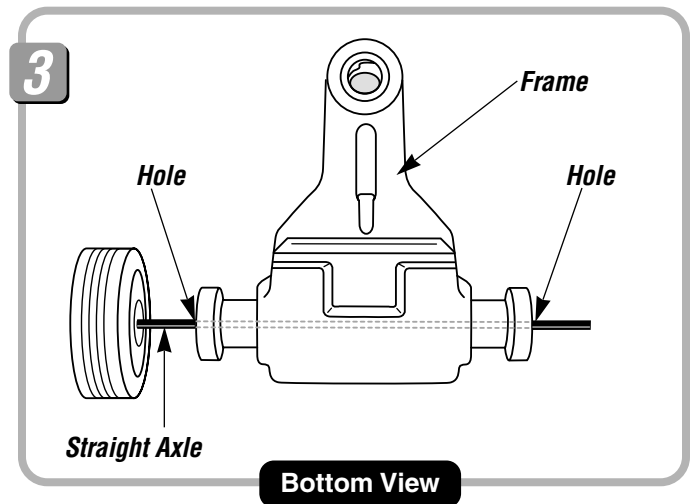
This product contains small parts in its unassembled state. Adult assembly is required.



- Place a cap nut on a scrap block of wood.
- Place one end of the straight axle into the cap nut.
- Tap the cap nut with a hammer. **Make sure the cap nut is securely attached to the straight axle.**



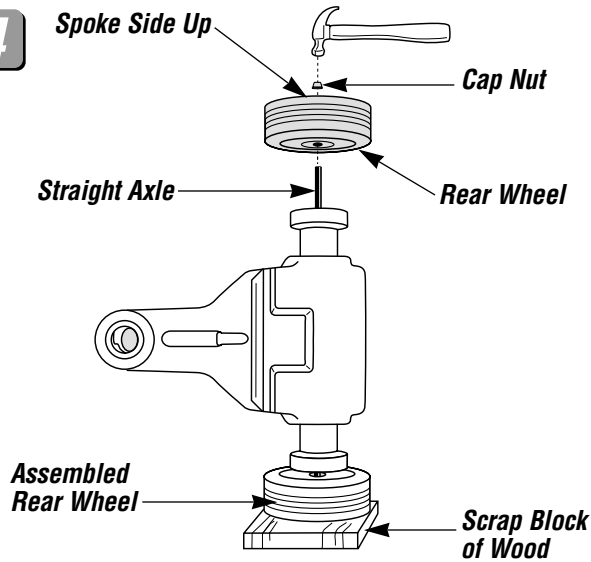
- Slide a rear wheel (spoke side down) onto the straight axle.



- Turn the frame upside down.
- Insert the straight axle through the holes in the rear of the frame.

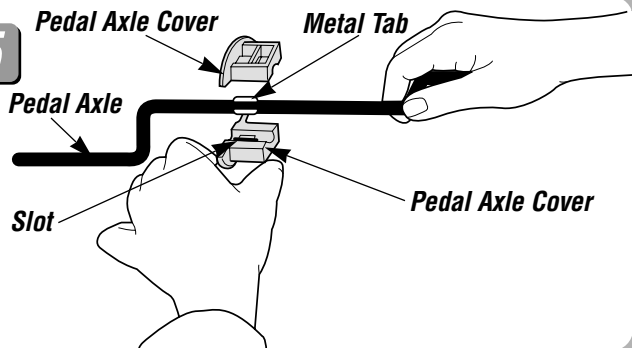
# Assembly

4



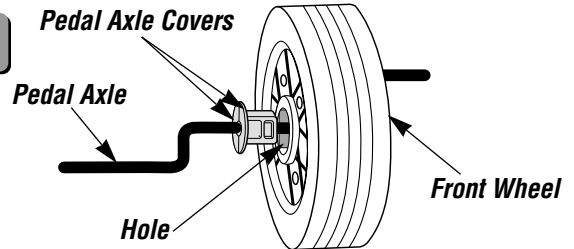
- Turn the frame on its side with the exposed end of the straight axle up.
- Place the assembled rear wheel on the scrap block of wood.
- Slide the other rear wheel (spoke side up) onto the end of the straight axle.
- Place a cap nut on the end of the straight axle.
- Tap the cap nut with a hammer. **Gently pull the rear wheel up to be sure the cap nut is securely attached to the straight axle.**
- Set the frame assembly aside.

5



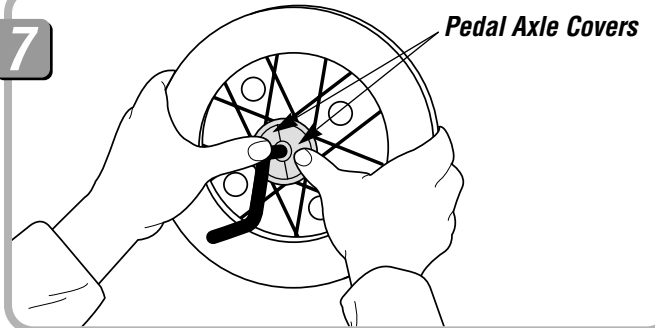
- Fit two pedal axle covers onto the pedal axle metal tabs. Make sure the metal tabs fit into the slot in each pedal axle cover.

6



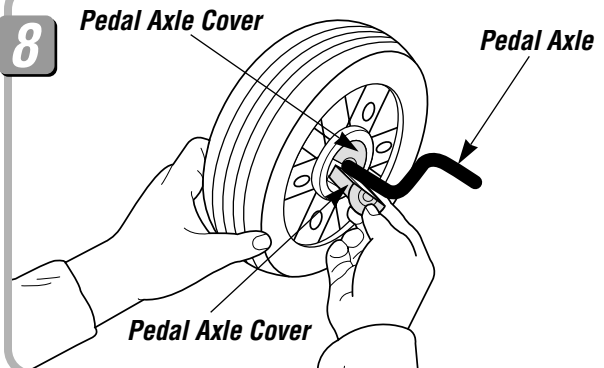
- While holding the pedal axle covers on the pedal axle, insert the pedal axle into the hole in the center of the front wheel.

7



- Push the pedal axle covers into the center of the front wheel until they are flush with the surface of the front wheel.

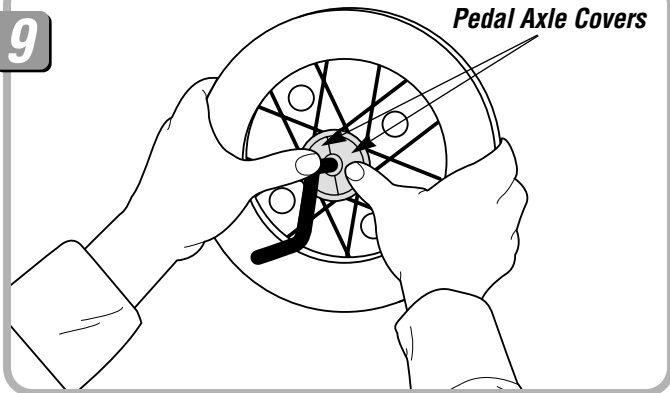
8



- Turn the front wheel assembly over.
- Insert a pedal axle cover onto the top of the pedal axle and into the hole in the center of the front wheel.
- Insert the remaining pedal axle cover below the pedal axle and into the hole in the center of the front wheel.

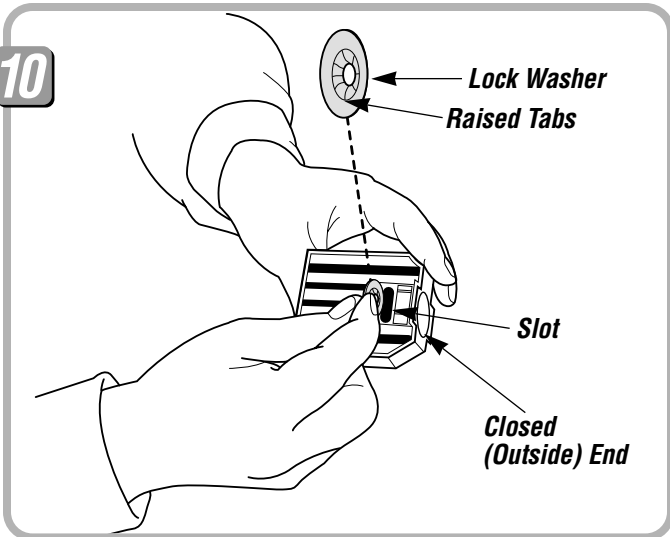
# Assembly

9



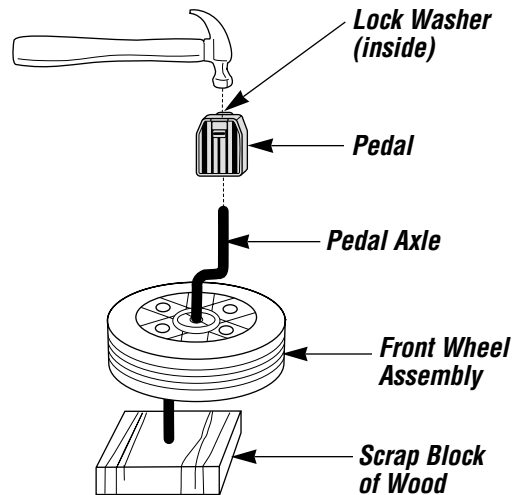
- Push the pedal axle covers into the center of the front wheel until they are flush with the surface of the front wheel.

10



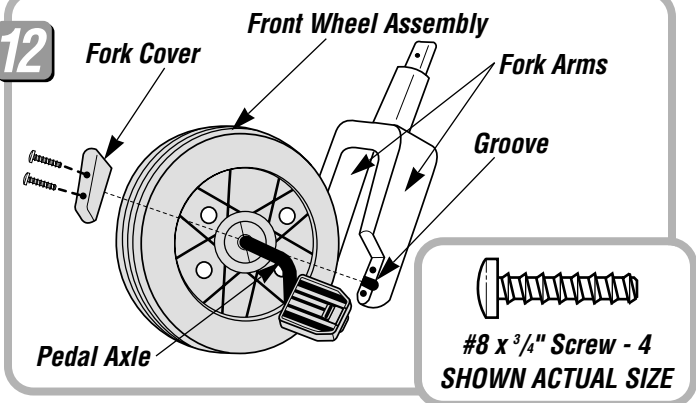
- Insert a lock washer into the slot in a pedal. Make sure the raised tabs on the lock washer are facing the “closed”, or outside end of the pedal.
- Insert the other lock washer into the other pedal.

11



- Place a scrap block of wood under the front wheel assembly.
- Place a pedal on the pedal axle.
- With the pedal lock washer centered over the pedal axle end, tap the pedal with a hammer until it is secure.
- Repeat this procedure to attach the other pedal to the other end of the pedal axle.

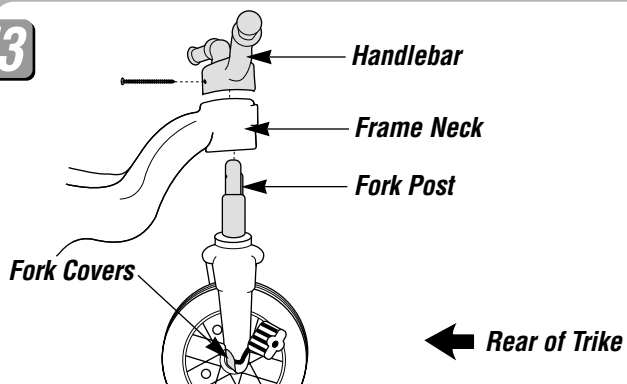
12



- Place the front wheel assembly between the fork arms so that the pedal axle fits into the groove at the bottom of each fork arm.
- Place a fork cover over the pedal axle on one fork arm.
- Insert two #8 x  $\frac{3}{4}$ " screws into the fork cover and tighten with a Phillips screwdriver. Do not over-tighten.
- Repeat this procedure to attach the other fork cover to the other fork arm.

# Assembly

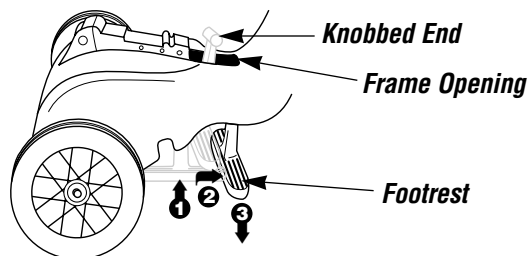
13



**#8 x 3" Screw - 1**  
**SHOWN ACTUAL SIZE**

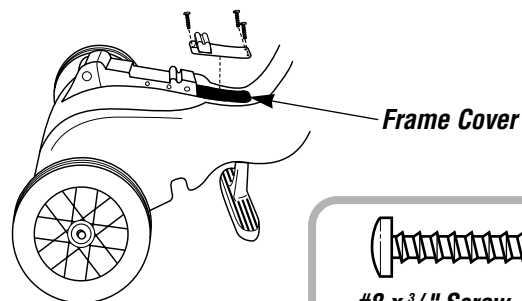
- Turn the frame upright.
- Insert the fork post up through the hole in the neck of the frame. Make sure the fork is positioned so that the fork covers face the rear wheels.
- Place the handlebar over the fork post and push it down onto the frame. Make sure the handlebar is positioned so that the screw hole faces the rear wheels and aligns with the screw hole in the fork post.
- Insert the #8 x 3" screw through the hole in the handlebar and into the fork post. Tighten the screw with a Phillips screwdriver. Do not over-tighten.

14



- Insert the knobbed end of the footrest up through the opening in the underside, center of the frame ❶.
- Rotate the footrest 1/4 turn ❷.
- Slide the footrest toward the handlebar as far as it will go until the top of the footrest is positioned over the opening's rectangular cut-out.
- Lower the knobbed end of the footrest into the rectangular cut-out in the frame ❸.

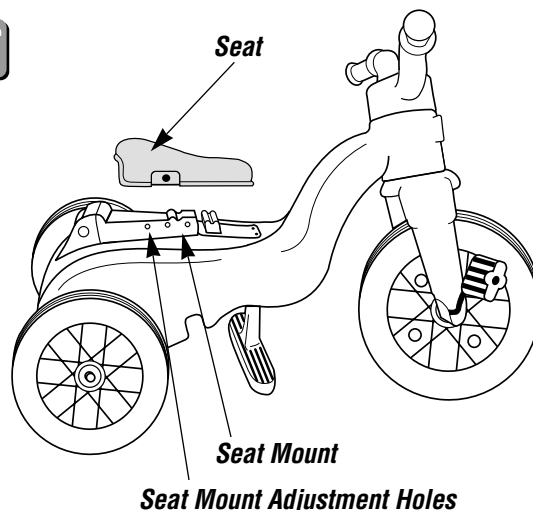
15



**#8 x 3/4" Screw - 3**  
**SHOWN ACTUAL SIZE**

- Place the frame cover over the frame opening. Make sure that the holes in the frame cover align with the holes on the frame.
- Insert three #8 x 3/4" screws into the frame cover and tighten with a Phillips screwdriver. Do not over-tighten.

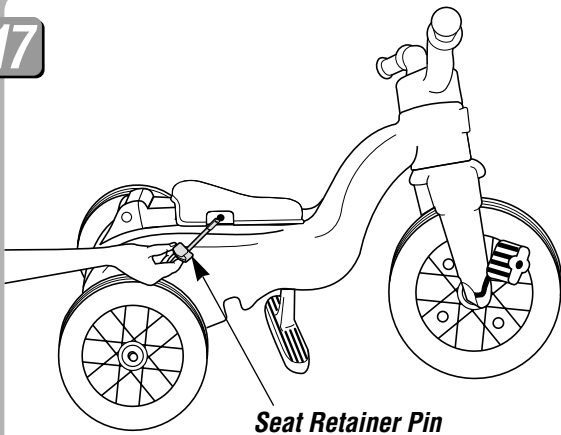
16



- Place the seat on the seat mount.
- Adjust the seat for your child's comfort by aligning the hole in the seat with one of the seat mount adjustment holes.

# Assembly

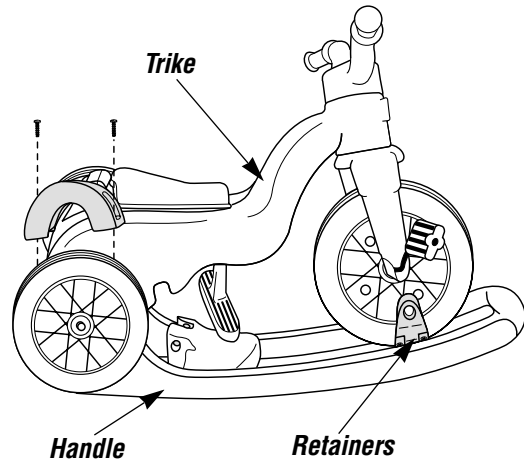
17



**Seat Retainer Pin**

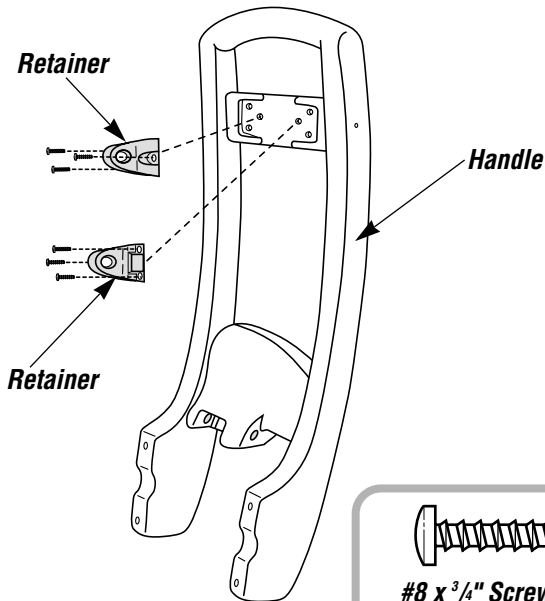
- While pushing down on the seat, insert the seat retainer pin through the hole in the seat and into a seat mount adjustment hole.

19



**#10 x  $\frac{3}{4}$ " Screw - 4  
SHOWN ACTUAL SIZE**

18



**#8 x  $\frac{3}{4}$ " Screw - 6  
SHOWN ACTUAL SIZE**

- Fit the retainers to the handle, as shown.
- Insert three #8 x  $\frac{3}{4}$ " screws through each retainer and into the handle. Tighten the screws with a Phillips screwdriver. Do not over-tighten.

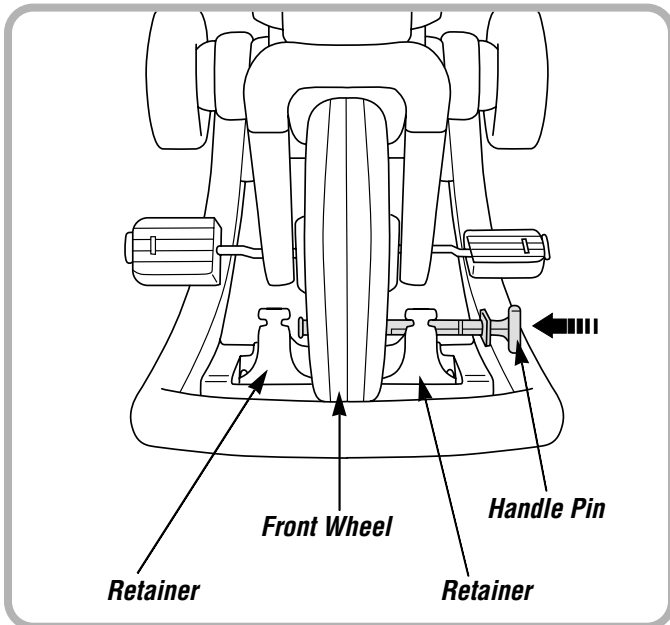
- Position the handle on a flat surface so that the retainers are upright.
- Fit the trike onto the handle so that the rear frame rests in the grooves in the handle and the front wheel fits between the retainers.
- Fit the handle covers onto the rear frame and handle, near the rear wheels.
- Insert two #10 x  $\frac{3}{4}$ " screws through each handle cover and into the handle. Tighten the screws with a Phillips screwdriver. Do not over-tighten.

**Assembly is now complete.**



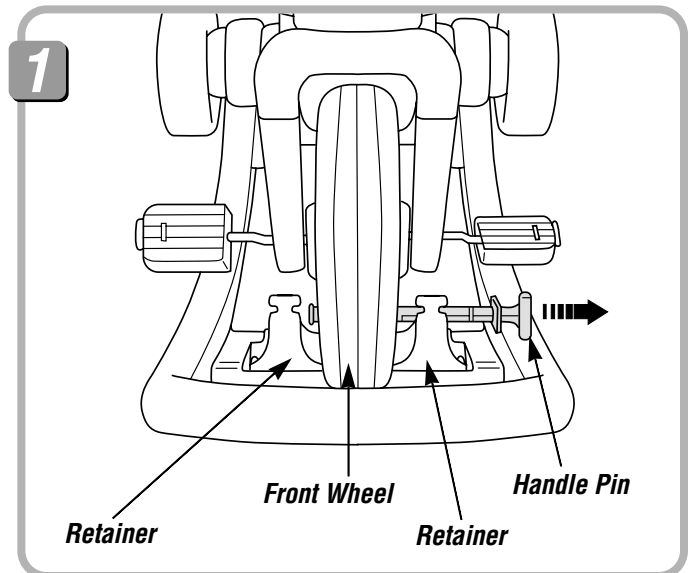
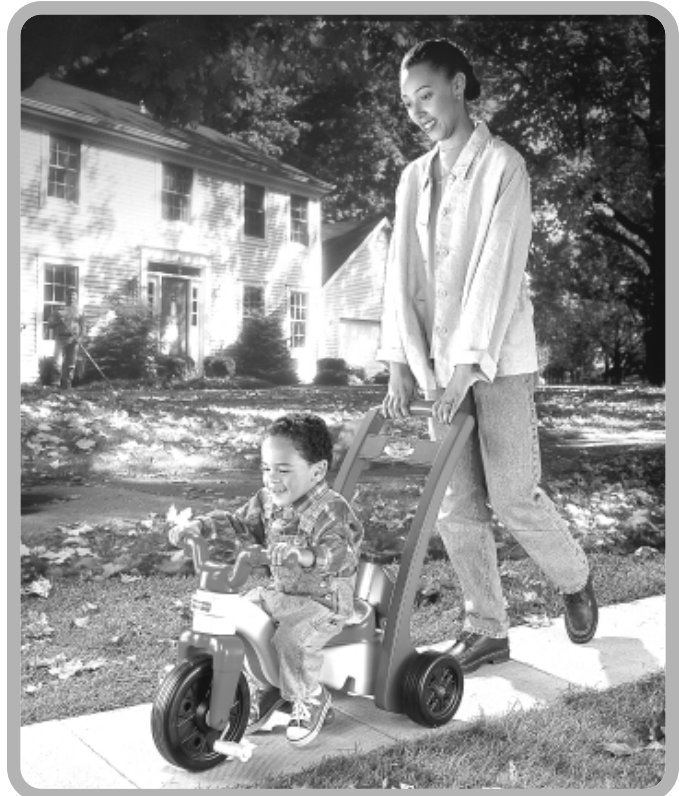
## Ride-on Rocker

**IMPORTANT!** Be sure to adjust the seat in the most forward position for Ride-on Rocker mode.



- Insert the handle pin through one retainer, a hole in the front wheel and into the other retainer.
- Push the handle pin to **“snap” it into place**. Pull on the handle pin to be sure it is secure.

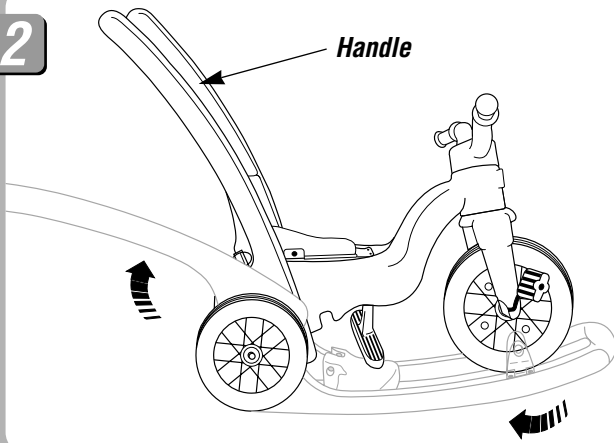
## Learn to Pedal Trike



- If you are converting from the ride-on rocker mode, remove the handle pin from the handle retainers and front wheel.

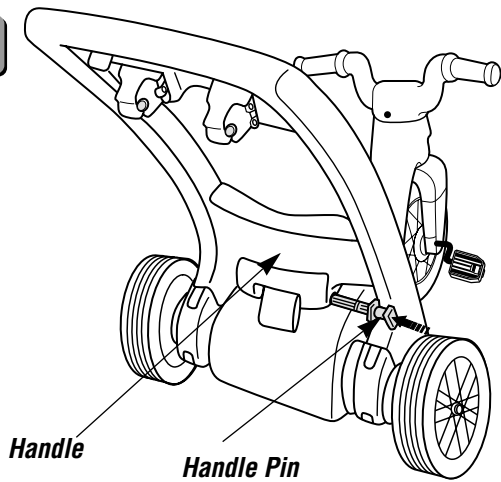
## Learn to Pedal Trike

2



- Rotate the handle to the upright position, as shown.

3

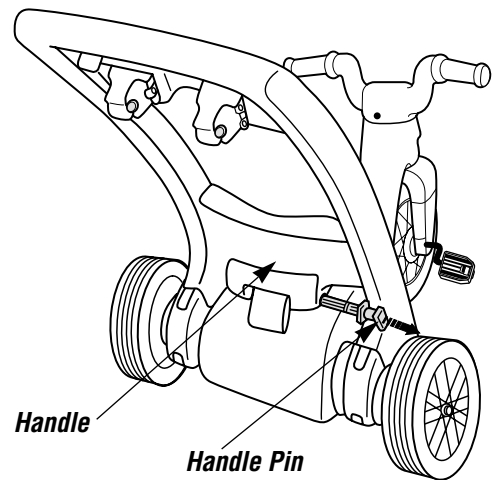


- Insert the handle pin through one side of the handle, through the holes in the back of the frame and out through the hole in the other side of the handle. **Make sure you hear the handle pin “snap” into place.**
- Pull on the handle pin to be sure it is secure.

## Pedal Trike



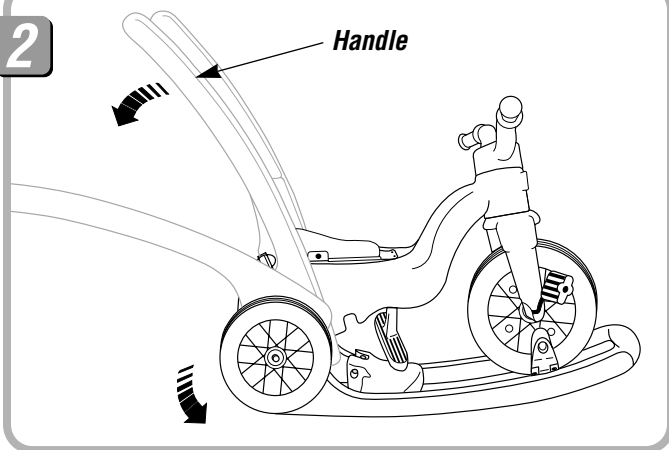
1



- If you are converting from the learn to pedal trike mode, remove the handle pin from the handle and the back of the frame.

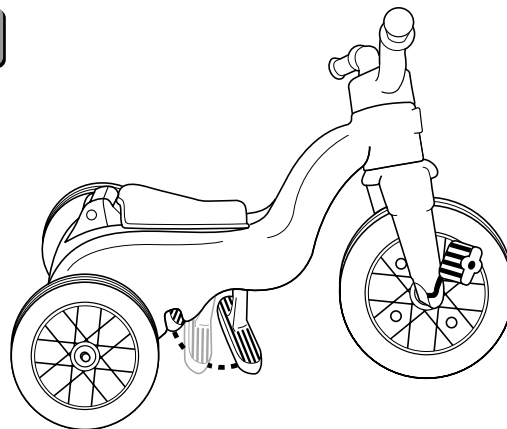
## Pedal Trike

2



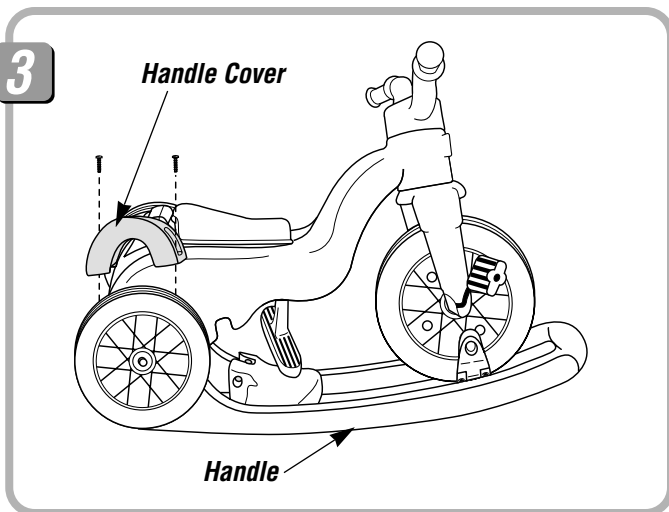
- Rotate the handle down, under the trike, to the ride-on rocker position.

4



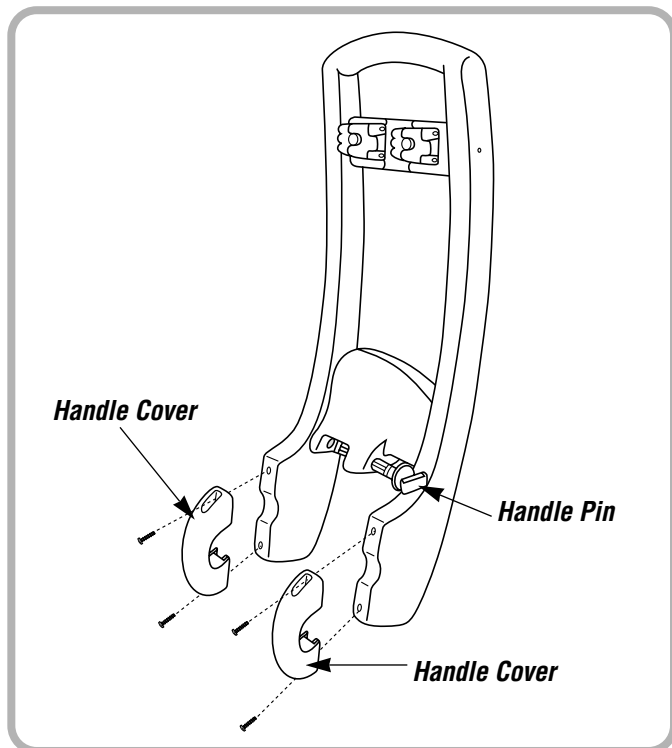
- Rotate the footrest up towards the rear wheels and snap it into the recess in the underside of the frame.

3



- Remove the screws from the handle covers.
- Remove the handle covers.
- Remove the handle.

## Storage



**Helpful Hint:** To store for future use, attach the handle covers to the handle using the four screws. Insert the handle pin into either the holes in the handle or through the holes in the retainers. Store the handle in a safe place for future use as a ride-on rocker or learn to pedal trike.

## Maintenance

- Check plastic parts regularly and if broken or cracked, dispose of them properly.
- Check all fasteners regularly to be sure they are tight. If the fasteners are not tight, tighten them as necessary.
- To clean this product, use a mild soap and water solution and a clean cloth. Rinse clean with water to remove soap residue.

[www.fisher-price.com](http://www.fisher-price.com)

For other countries, outside the United States:

Canada: call 1-800-567-7724, or write to: Mattel Canada Inc, 6155 Freemont Blvd., Mississauga, Ontario L5R 3W2.

Great Britain: telephone 01628 500303.

Australia: Mattel Australia Pty. Ltd., 658 Church Street, Locked Bag #870, Richmond, Victoria 3121 Australia. Consumer Advisory Service 1300 135 312.

New Zealand: 16-18 William Pickering Drive, Albany 1331, Auckland.