

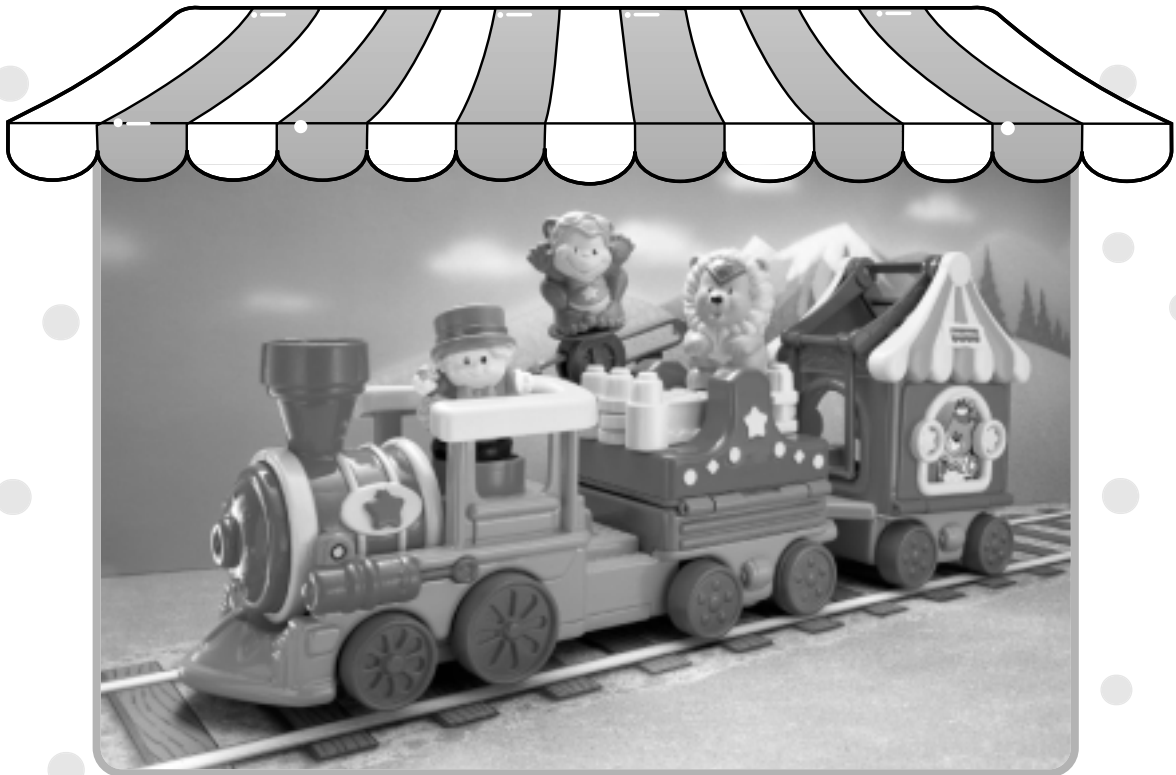
Fisher-Price®

Model Number 72753

Little People®

Motorized Big Top Train™

Instructions



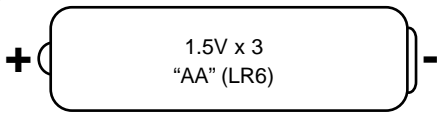
Please save these instructions for future reference.

Adult assembly is required.

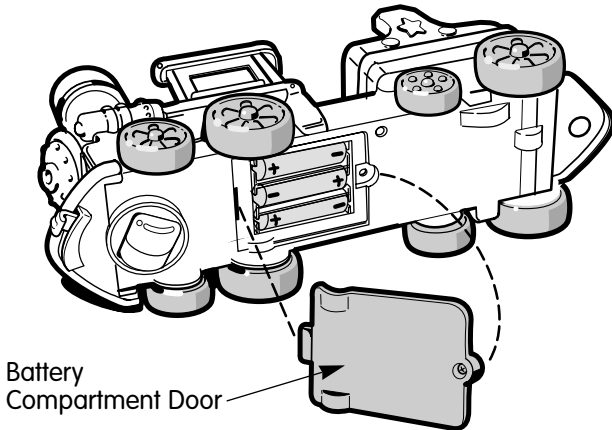
Tool needed to install batteries: Phillips Screwdriver.

This product requires three, size "AA" (LR6) alkaline batteries (not included).

Battery Installation



SHOWN ACTUAL SIZE

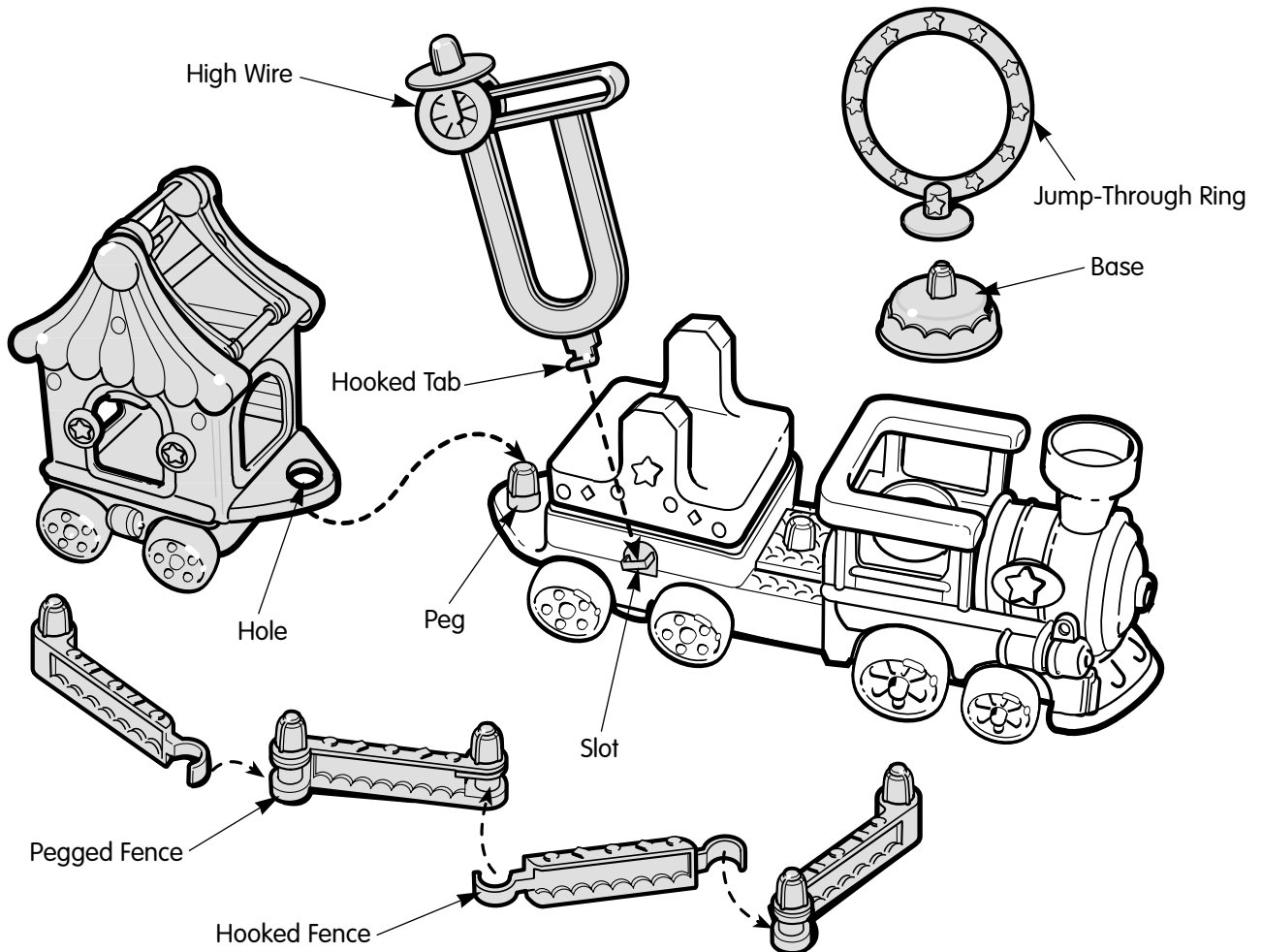


- Loosen the screw in the battery compartment door with a Phillips screwdriver.
- Lift to open the battery compartment door.
- Insert three size "AA" (LR6) alkaline batteries as indicated inside the battery compartment.
- Replace the battery compartment door and tighten the screw with a Phillips screwdriver. Do not over-tighten.

Battery Tips

- Do not mix old and new batteries.
- Do not mix different types of batteries: alkaline, standard (carbon-zinc) or rechargeable (nickel-cadmium).
- Remove the batteries during long periods of non-use. Always remove exhausted batteries from this toy. Battery leakage and corrosion can damage the product.
- Never short circuit the battery terminals.
- Non-rechargeable batteries are not to be recharged.
- Only batteries of the same or equivalent type as recommended in the "Battery Installation" instructions are to be used.
- If removable rechargeable batteries are used, they are only to be charged under adult supervision.
- Rechargeable batteries are to be removed from this toy before they are charged.
- If you use a battery charger, it should be examined regularly for damage to the cord, plug, enclosure and other parts. Do not use a damaged battery charger until it has been properly repaired.

Setup



- Fit the hooked fences to the pegged fences to form a ring.
- Fit the hole on the end train car to the peg on the middle train car to form a train.
- Position the high wire so that the hooked tab is outward. Insert and snap the high wire hooked tab into the slot in the middle train car.

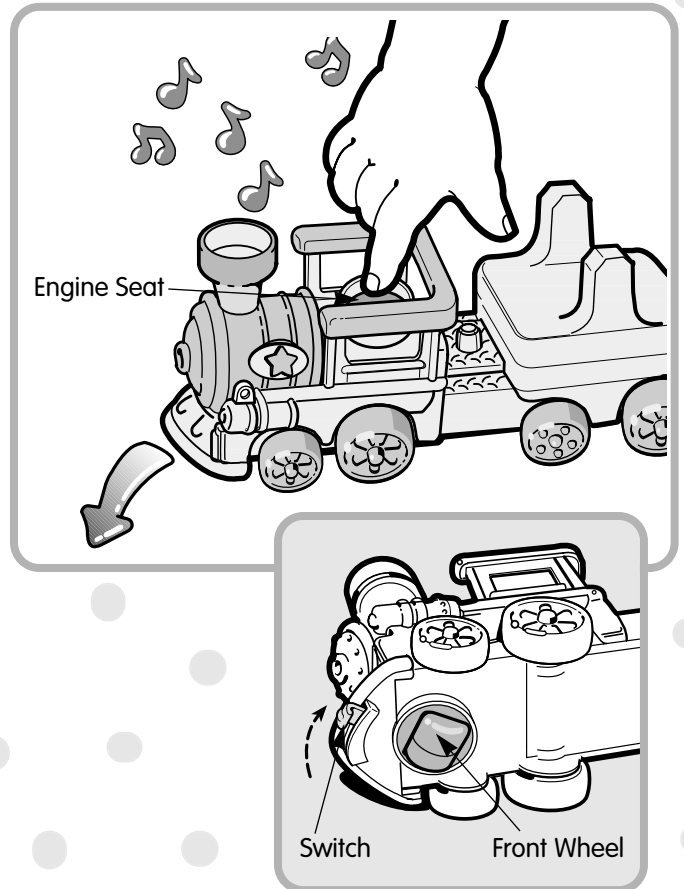
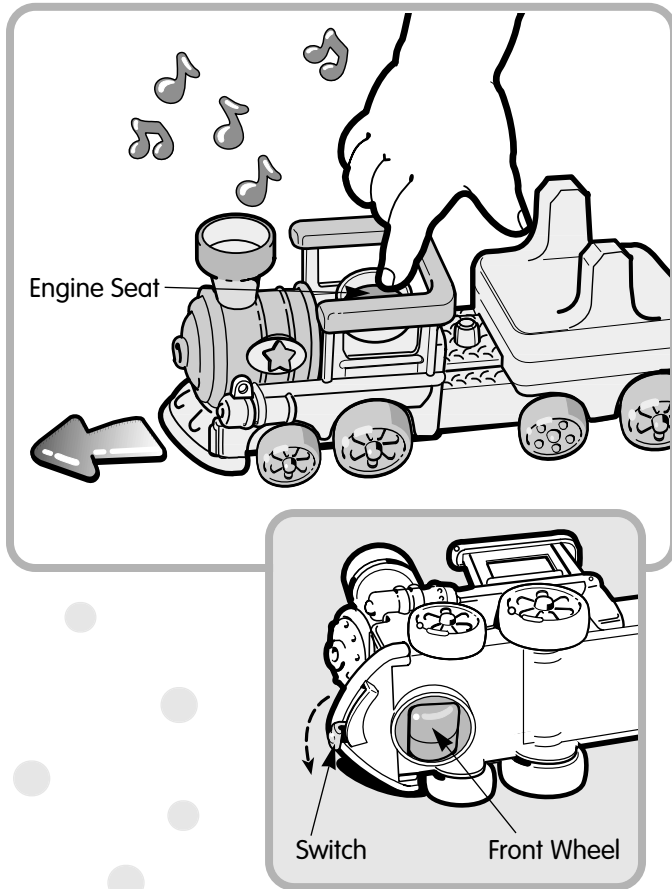
Hint: The high wire is designed to easily remove from the middle train car. To re-assemble, simply insert and snap the high wire hooked tab into the slot.

- Fit the jump-through ring to the base.



All Aboard!

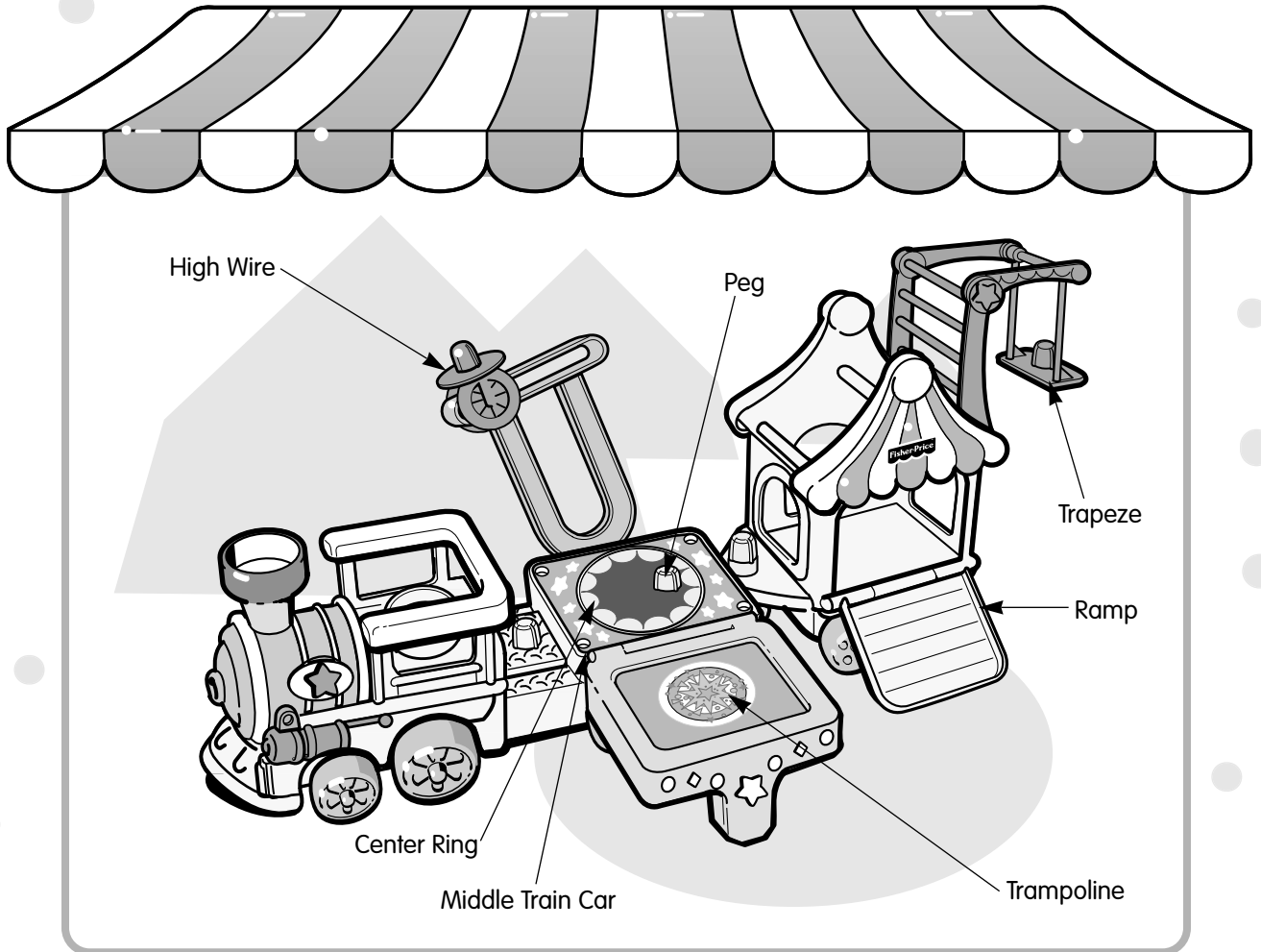
The train travels in a straight line or in a circle.



- Tip the engine car on its side. Slide the switch to turn the front wheel.
- Fit a Little People® character in the engine seat and press down. (Or, push down on the seat with your finger.) The train moves in a straight line, the high wire moves back and forth – all while playing a circus tune!

- Tip the engine car on its side. Slide the switch to turn the front wheel.
- Fit a Little People® character in the engine seat and press down. (Or, push down on the seat with your finger.) The train moves in a circle, the high wire moves back and forth – all while playing a circus tune!

Ladies and Gentlemen...

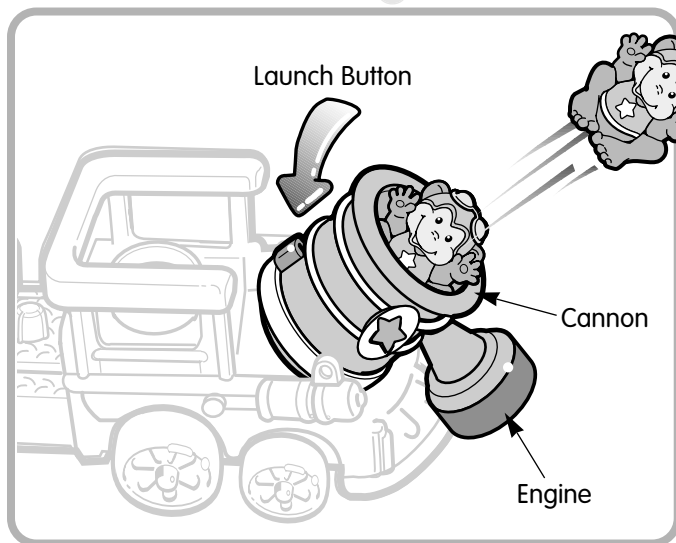


- Flip open the top of the middle train car.
- Place a Little People® character on the peg in the center ring. Fit a Little People® character in the engine seat and press down. The center ring turns, the high wire moves back and forth and music plays!
- Bounce a Little People® character on the trampoline.
- Open the ramp and unfold the trapeze on the end train car.

Fire the Cannon!

CAUTION

- Only use the projectiles (Little People® characters) supplied with this toy.
- Do not fire at people or animals.



- Tip the engine forward.
- Fit a Little People® character onto the peg inside the cannon and push down until you hear a “click”.
- Press the launch button and watch the daredevil fly through the air!

Care

- To clean, wipe the surface of this toy with a damp cloth. Do not immerse this toy.
- If sound from this toy becomes faint, or if there is no sound, remove the batteries and dispose of them properly. Replace the batteries with three “AA” (LR6) alkaline batteries.
- This toy has no consumer serviceable parts. Please do not take this toy apart.

FCC Note (In United States Only)

Motorized Big Top Train™
Model Number: 72753

This device complies with Part 15 of the FCC Rules. Operation is subject to the following two conditions: (1) This device may not cause harmful interference and (2) this device must accept any interference received, including interference that may cause undesired operation.

Motorized Big Top Train™
Consumer Affairs Department
636 Girard Avenue
East Aurora, New York 14052

Consumer Information

Questions? We'd like to hear from you!

Call Fisher-Price® Consumer Affairs, toll-free at **1-800-432-KIDS**, 8 AM - 5 PM EST Monday through Friday. Hearing-impaired consumers using TTY/TDD equipment, please call 1-800-382-7470. Or, write to:

Fisher-Price® Consumer Affairs
636 Girard Avenue
East Aurora, New York 14052

If you have any questions about this product:

In Canada, call 1-800-567-7724, or write to: Mattel Canada Inc., 6155 Freemont Blvd., Mississauga, Ontario L5R 3W2.

In Great Britain, telephone 01628 500303.

In Australia, call the Consumer Advisory Service at 1-800-800-812 (valid only in Australia), or write to: Mattel Australia Pty., Ltd., 658 Church Street, Locked Bag #870, Richmond Victoria 3121 Australia.

www.fisher-price.com