



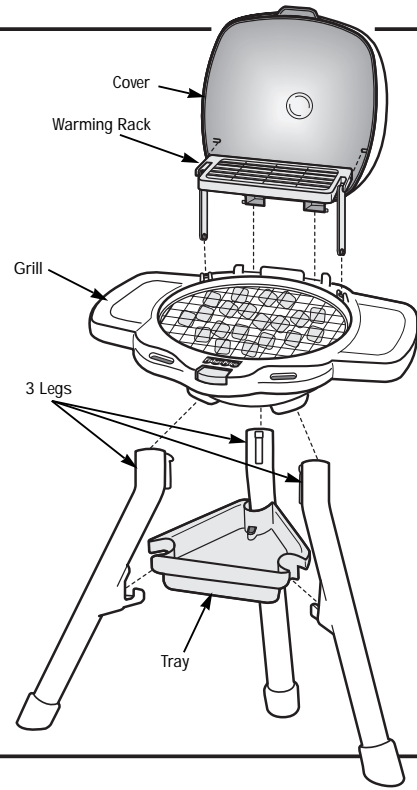
- Please save these instructions for future reference.
- Adult assembly is required.
- Tool needed to install batteries: Phillips Screwdriver.
- This product requires two size "AA" (LR6) alkaline batteries (not included).

Parts

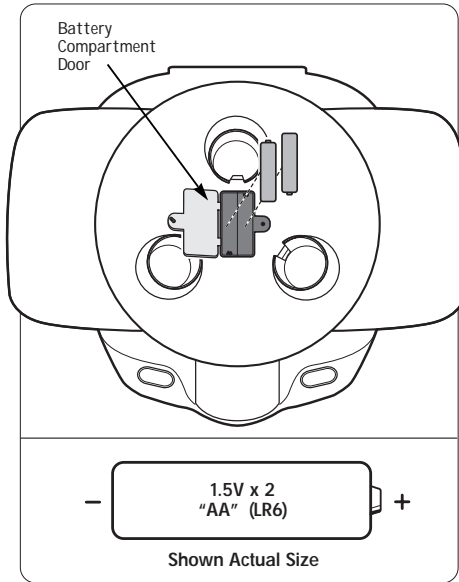
CAUTION

Please keep small parts and plastic bags out of children's reach. Dispose of plastic bags properly.

Accessories Not Shown: Spatula, Tongs, 2 Chicken Legs, Hot Dog, Hamburger, Cheese, Two-Piece Hamburger Bun, Hot Dog Bun, Mustard Bottle.



Battery Installation

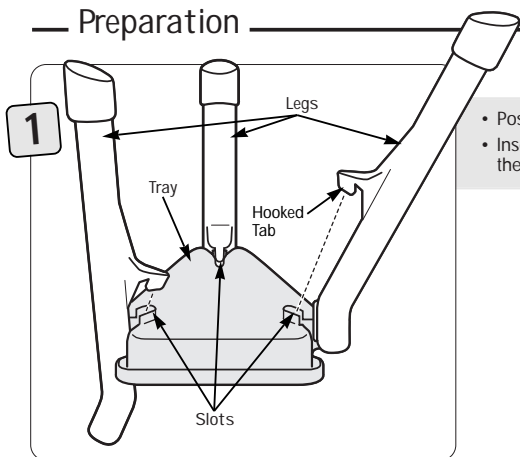


- Turn the grill upside down on a flat surface.
- Loosen the screw in the battery compartment door with a Phillips screwdriver.
- Lift to open the battery compartment door.
- Insert two size "AA" (LR6) alkaline batteries as indicated inside the battery compartment.
- Replace the battery compartment door and tighten the screw with a Phillips screwdriver. Do not over-tighten.

Battery Tips

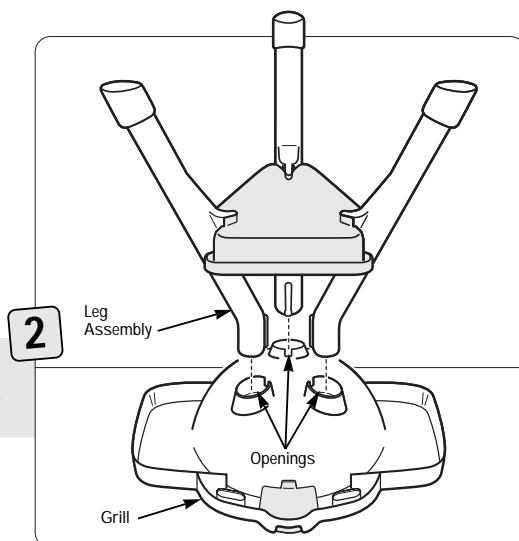
- Do not mix old and new batteries.
- Do not mix different types of batteries: alkaline, standard (carbon-zinc) or rechargeable (nickel-cadmium).
- Remove the batteries during long periods of non-use. Always remove exhausted batteries from the product. Battery leakage and corrosion can damage the product.
- Never short circuit the battery terminals.
- Non-rechargeable batteries are not to be recharged.
- Only batteries of the same or equivalent type as recommended in the "Battery Installation" instructions are to be used.
- If removable rechargeable batteries are used, they are only to be charged under adult supervision.
- Rechargeable batteries are to be removed from the product before they are charged.
- If you use a battery charger, it should be examined regularly for damage to the cord, plug, enclosure and other parts. Do not use a damaged battery charger until it has been properly repaired.

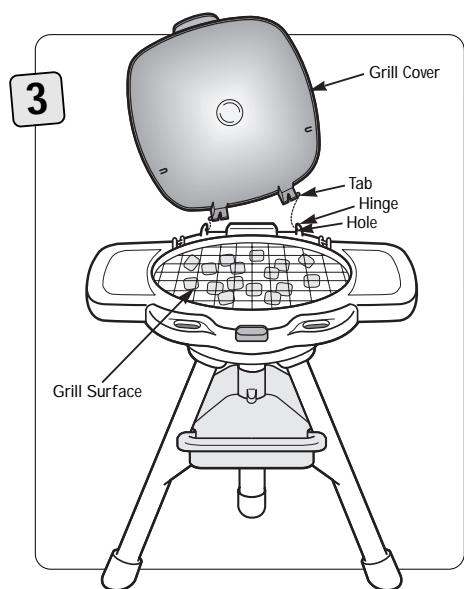
Preparation



- Position the tray upside-down.
- Insert and snap the hooked tab on each of the three legs into the slots in the tray.

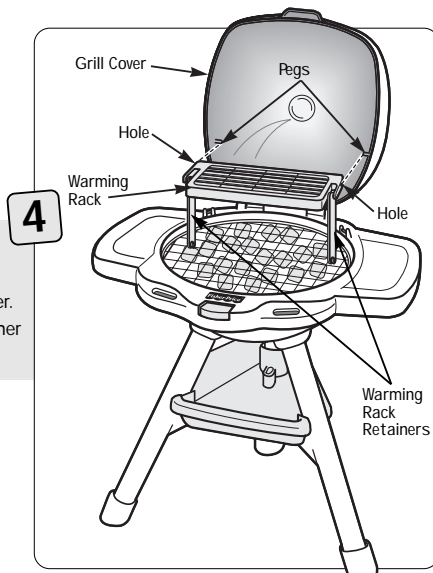
- Turn the grill upside down on a flat surface.
- Insert and snap the leg assembly into the openings in the grill.



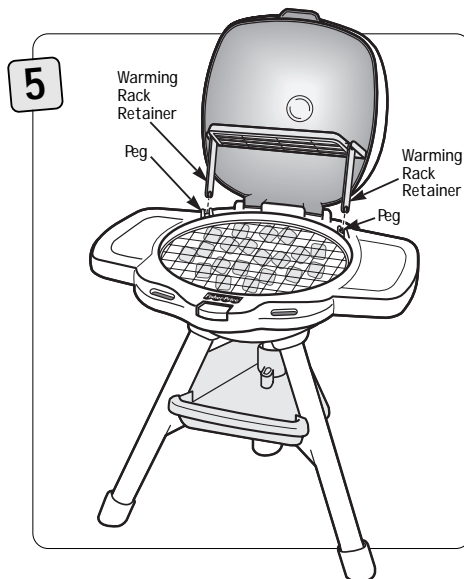


- Turn the grill assembly upright.
- Fit a tab on the grill cover into the hole in a hinge on the grill surface.
- Fit the other tab on the grill cover into the hole in the other hinge on the grill surface.

Helpful Hint: You may need to flex the grill cover out slightly (near each tab) to fit the tab into the appropriate hinge hole.



- Remove the warming rack retainers from the pegs on the grill surface.
- Position the warming rack so that the smooth side is facing up.
- Fit the hole on one side of the warming rack onto a peg in the grill cover.
- While pulling the side of the grill cover out slightly, fit the hole on the other side of the warming rack onto the other peg in the grill cover.

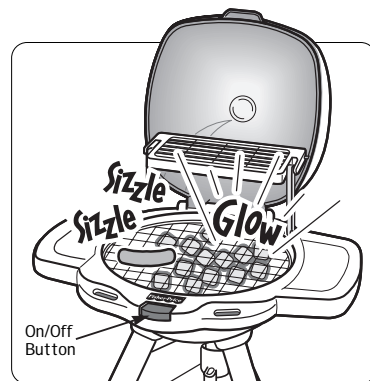
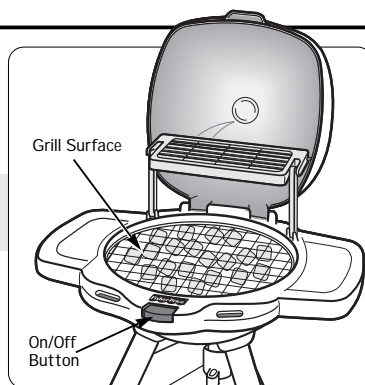


- Snap both warming rack retainers to the pegs on the grill surface.
- Assembly is now complete.**

Let's Get Cookin'

Note to Parents: All plastic food toys should be hand washed with hot, soapy water before using.

- To start the grill, push the on/off button on the grill surface.



- Put your food on the grill, watch the coals "glow" and listen to your food "sizzle"!
- Note:** The lights and sizzle sounds are activated by motion. Playing with the food on the grill surface and opening and closing the grill cover will make the lights and "sizzle" sounds come to life.
- After your food is "done", press the on/off button on the grill surface to turn the Sizzle 'n Glow Grill off.

Note: The grill will turn off, if the grill cover is slammed down hard; or if the grill is not used for about three - four minutes. Simply press the on/off button to start the grill again.

CARE

- Do not immerse the grill. If moisture does get inside the grill, remove the batteries and position the grill on its side. Allow the grill to dry several hours before using again.
- If sizzle sounds or lights from/on this product become faint, or if there are no sizzle sounds or lights, remove the batteries and dispose of them properly. Replace the batteries with two, size "AA" (LR6) alkaline batteries.

FCC Note (United States Only)

Sizzle 'n Glow Grill
Model Number: 73319

This device complies with Part 15 of the FCC Rules. Operation is subject to the following two conditions: (1) This device may not cause harmful interference and (2) this device must accept any interference received, including interference that may cause undesired operation.

Fisher-Price, Inc.
Consumer Affairs Department
636 Girard Avenue
East Aurora, New York 14052

Consumer Information



Questions? We'd like to hear from you!

Call Fisher-Price® Consumer Affairs, toll-free at **1-800-432-KIDS**, 8 AM - 6 PM EST Monday through Friday. Hearing-impaired consumers using TTY/TDD equipment, please call 1-800-382-7470. Or, write to: Fisher-Price® Consumer Affairs, 636 Girard Avenue, East Aurora, New York 14052.

If you have any questions about this product:

In CANADA - Mattel Canada Inc., 6155 Freemont Blvd., Mississauga, Ontario L5R 3W2. Questions? 1-800-567-7724.

In GREAT BRITAIN - Mattel U.K., Ltd., Helpline: 01628 500303.

In AUSTRALIA - Mattel Australia Pty. Ltd., 658 Church Street, Locked Bag #870, Richmond, Victoria 3121 Australia. Consumer Advisory Service 1-800-800-812 (valid only in Australia).

Fisher-Price, Inc.
a subsidiary of Mattel, Inc., East Aurora, New York 14052, U.S.A.
©1998 Mattel, Inc. All Rights Reserved.
® and ™ designate U.S. trademarks of Mattel, Inc.

Printed in Mexico
73319 A 73319-0920