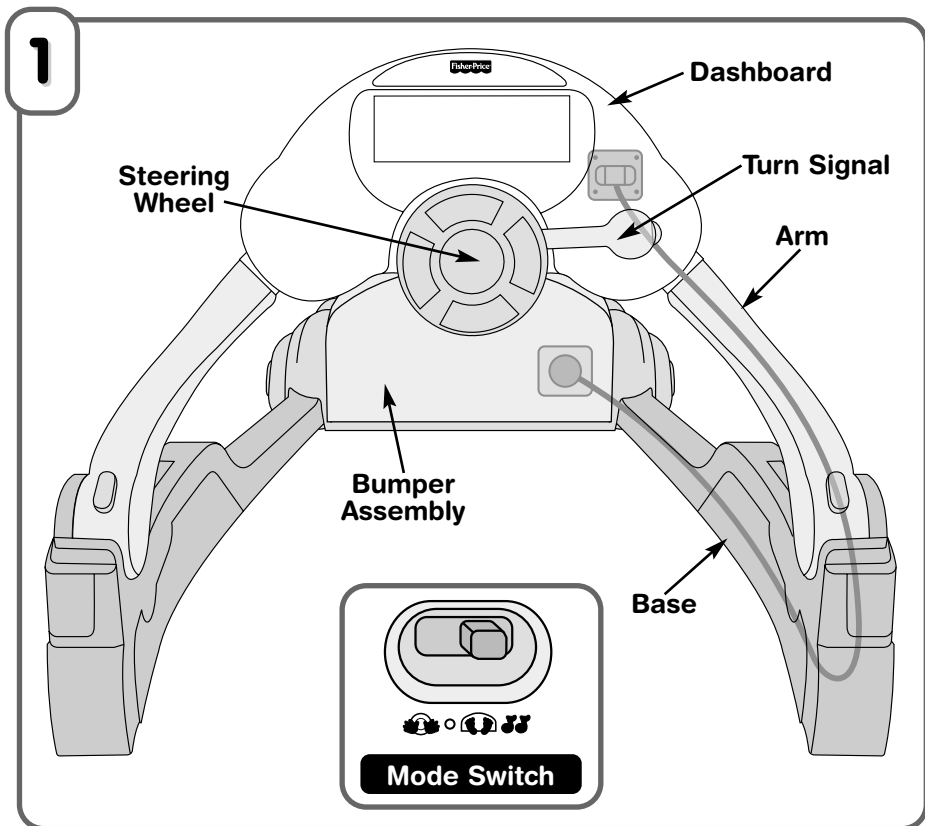




IMPORTANT!

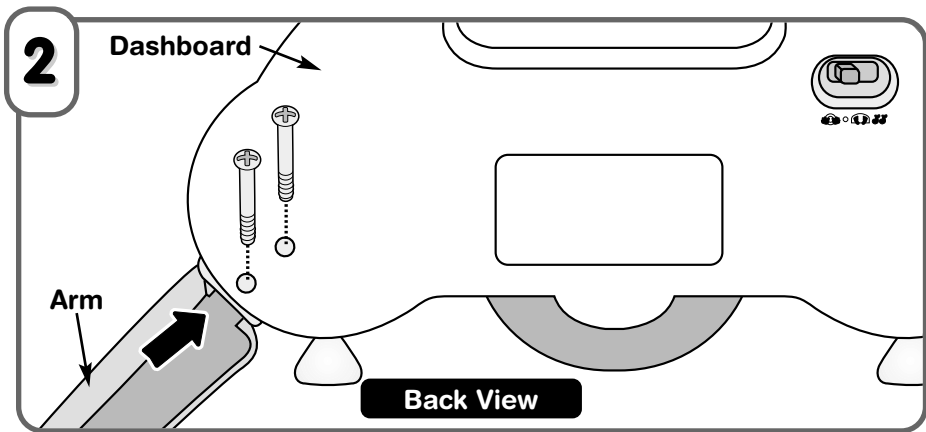
Test the function of this toy to be sure it is properly assembled.

Product Number: 73739



- Slide the mode switch to one of the on positions.
- Turn the steering wheel to activate sounds and lights.
- If the toy does not function (no sounds or lights), you have probably mis-assembled the dashboard to the arms or the bumper assembly to the base.
- Please turn the toy off •, and follow these instructions carefully.

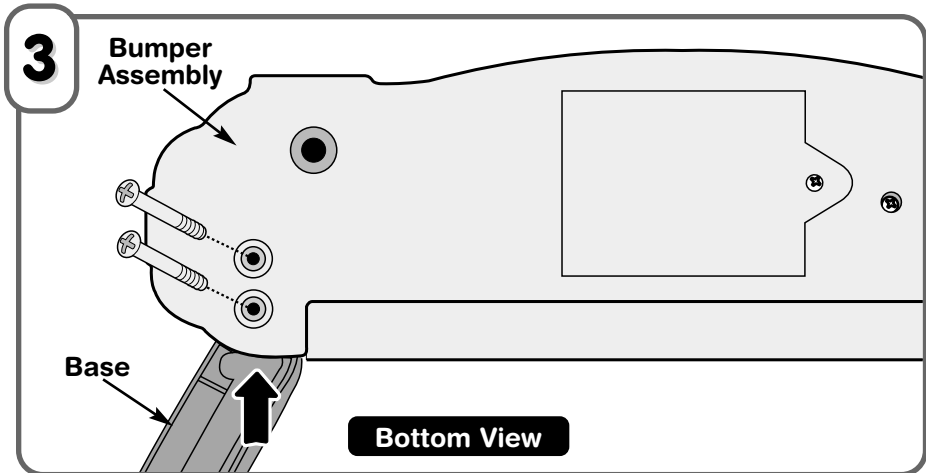
This toy has electrical connections running from the dashboard to the bumper assembly through the side of the toy with the turn signal. These connections must be tight for the toy to function properly.



- Remove the two screws from the back of the dashboard you installed in step 8, on the side opposite the mode switch.
- Make sure the arm on that side is fully inserted into the dashboard, with no gaps in between the two parts.

Hint: You may feel some resistance. Press firmly.

- Reinsert the two screws back into the holes in the dashboard and tighten the screws with a Phillips screwdriver. Do not over-tighten.
- Test the toy again, as described in step 1.
- If the toy still does not function (no sounds or lights) continue with the next step.



- Remove the two screws from the bottom of the bumper assembly you installed in step 6, on the side opposite the battery compartment door screw.
- Make sure the end of the base is fully inserted into the bumper assembly, with no gaps in between the two parts.

Hint: You may feel some resistance. Press firmly.

- Reinsert the two screws back into the holes in the bumper assembly and tighten the screws with a Phillips screwdriver. Do not over-tighten.
- Test the toy again, as described on the front of this sheet.