



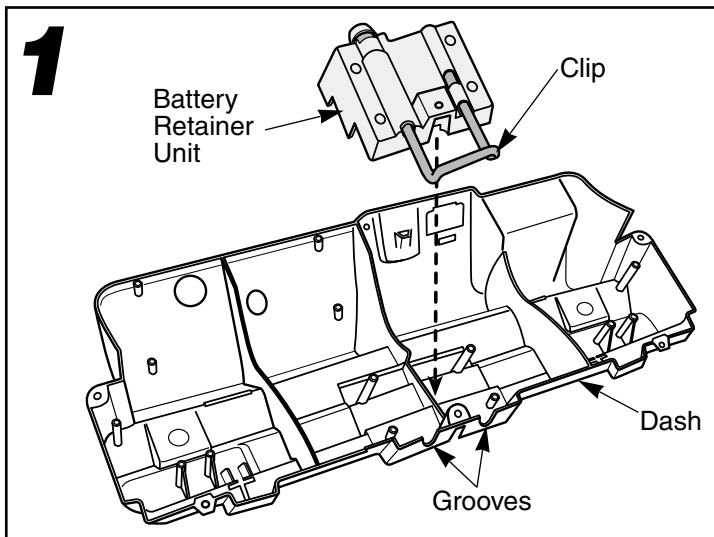
# Supplemental Instructions for 12 Volt Jeep® Style Vehicles

Model Numbers: 74020, 74270, 74340, 74526, 78477, 78478, 78537

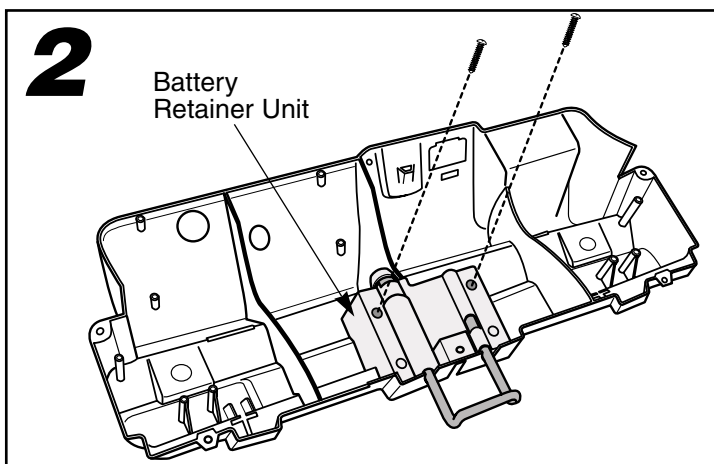
We've updated the design of your vehicle's battery retainer to make it easier for you to install and remove the battery from your vehicle. Please disregard the battery retainer installation and use instructions in your vehicle's Owner's Manual and follow these supplemental instructions instead.

**IMPORTANT! Assemble the battery retainer unit to the dash of your vehicle before beginning assembly of your vehicle. The battery retainer unit must be assembled to the dash before assembling the dash to the vehicle body.**

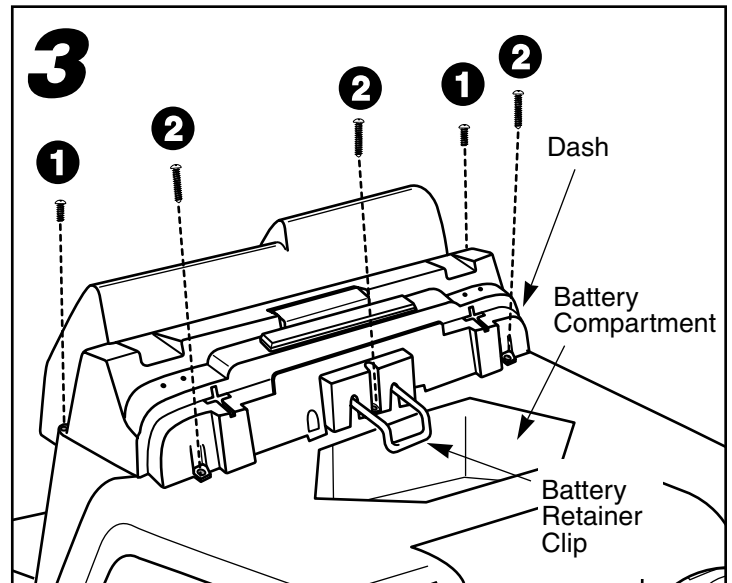
## Battery Retainer Assembly



- Position the dash upside down.
- Fit the battery retainer unit into the underside of the dash so that the clip fits into the grooves in the dash. Make sure the battery retainer unit is flush against the surface of the dash.



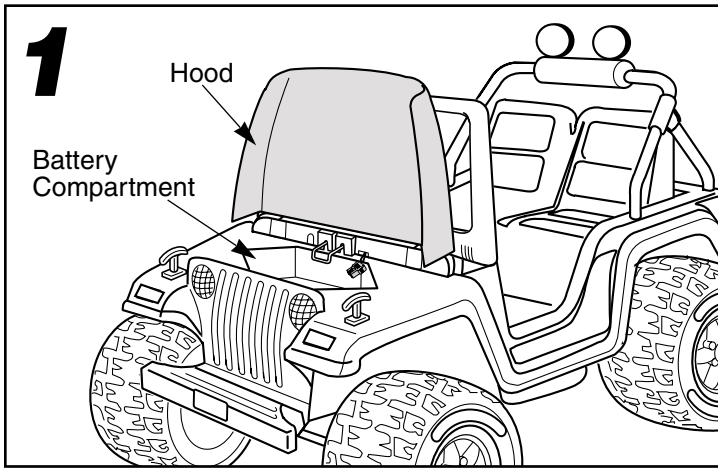
- Insert two #10 x 1" screws through the holes in the battery retainer unit and into the pegs in the dash.



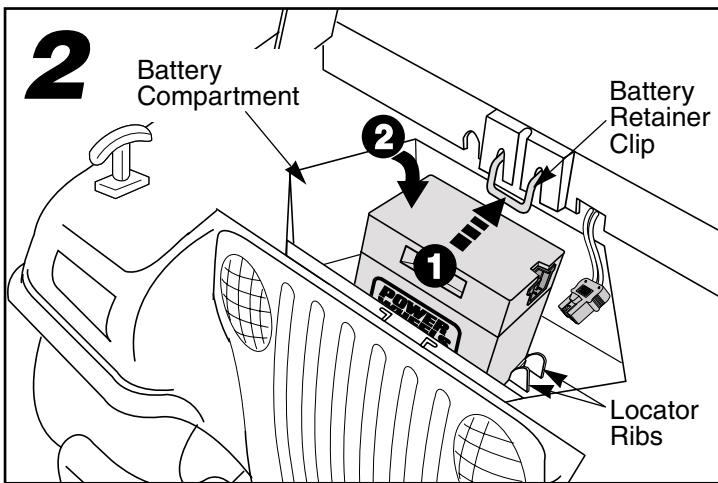
- Position the dash on the vehicle body.
- Insert a #10 x 1/2" screw through each of the two corner dash tabs nearest to the passenger compartment ①.
- Insert a #10 x 1" screw through the two dash tabs nearest to the battery compartment ②.
- Insert a #10 x 1" screw into the hole in the center of the dash, near the battery retainer clip ②.
- Tighten the screws with a Phillips screwdriver. Do not over-tighten.

**Continue to assemble your vehicle according to the instructions in your vehicle's Owner's Manual. Once your battery is charged and your vehicle assembled, follow the instructions on the back of this page for Battery Installation.**

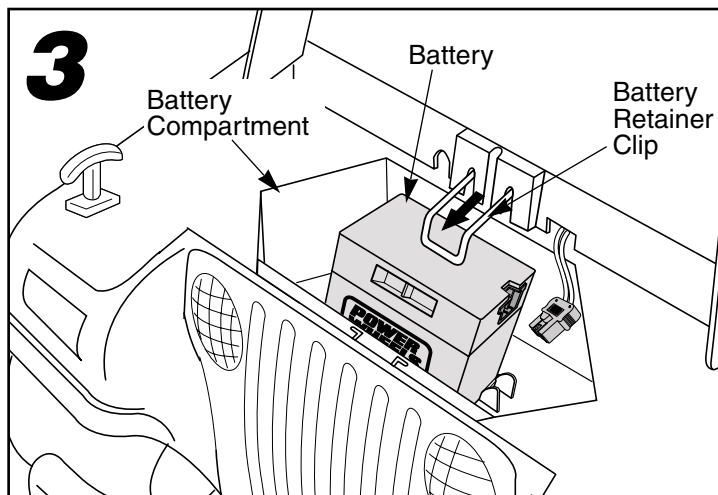
# Battery Installation



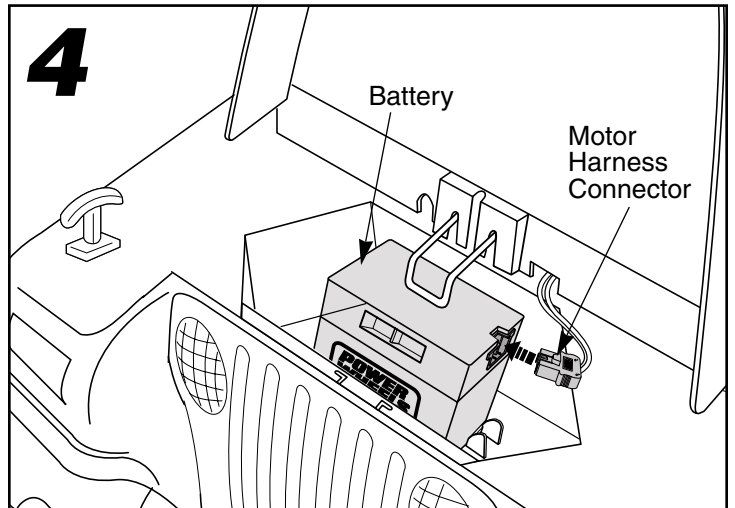
- Lift the hood to access the battery compartment.



- Press the battery retainer clip to slide it into the dash **1**.
- While holding the battery retainer clip against the dash, place the battery in the battery compartment **2**. Make sure the battery is upright and positioned between the locator ribs at the bottom of the battery compartment.

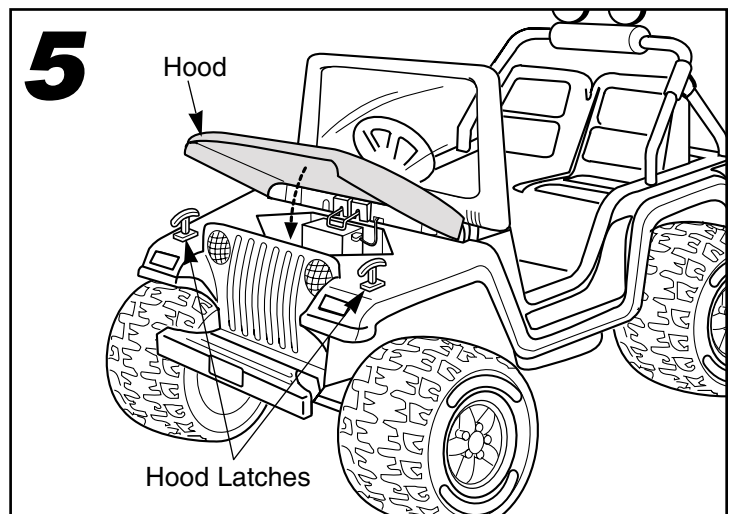


- Release the battery retainer clip. Make sure the retainer clip slides over the top of the battery. If the retainer clip does not slide over the top of the battery, reposition the battery in the battery compartment. (See step 2.)



- Plug the motor harness connector into the battery. **Push firmly to make sure the connectors are completely joined.**

**Hint:** To remove a battery from the battery compartment, disconnect the motor harness connector from the battery. Press and hold the battery retainer clip against the dash and lift the battery from the battery compartment.



- Lower the hood and secure the hood latches.

**Battery installation is complete. Refer to your Owner's Manual for important information about battery use and care and operation of your vehicle.**

Thank you for choosing Power Wheels® by Fisher-Price®. If you have any questions regarding safety, service or assembly of your vehicle, please call Power Wheels® Consumer Affairs toll free at **1-800-348-0751** from 8 AM to 5 PM (EST) Monday through Friday.

Jeep and the Jeep grille design are registered trademarks of DaimlerChrysler Corporation and are used under license.

©DaimlerChrysler Corporation.

Fisher-Price Inc., a subsidiary of Mattel, Inc.,  
East Aurora, New York 14052 U.S.A.

©2000 Mattel, Inc. All Rights Reserved. Fisher-Price and Power Wheels by Fisher Price are U.S. trademarks of Mattel, Inc.