

# **POWER WHEELS** by Fisher-Price®



Jeep and the Jeep grille design are registered trademarks of DaimlerChrysler Corporation and are used under license.  
©DaimlerChrysler Corporation

Goodyear (and winged foot design) and Wrangler (for tires) are trademarks of  
The Goodyear Tire & Rubber Company, used with permission.  
Fisher-Price and Power Wheels by Fisher-Price are U.S. trade marks of Mattel, Inc.



## **Owner's Manual with Assembly Instructions**

**Please read this manual and save it with your original sales receipt.  
For Model 74240**

Adult Assembly is required.  
Tools needed for assembly: Phillips Screwdriver and Hammer.  
Requires six "D" (LR20) **alkaline** batteries for motorized use (batteries not included).

# Table of Contents

A	Important Information	2
B	Warnings	2
C	Parts	3
D	Parts Diagram	5
E	Assembly	6
F	Label Decoration	11
G	Battery Installation	12
H	Rules for Safe Driving	13
I	How to Operate Your Vehicle	14
J	Caring for Your Vehicle	15
K	Statement of Limited Warranty	15
L	Authorized Service Centers	16

## A

### Important Information

- This vehicle requires adult assembly. Please set aside at least 30 minutes for assembly.
- Read this manual carefully for important safety information and operating instructions before using this vehicle. Keep these instructions for future reference, as they contain important information.
- This vehicle is designed for use: on asphalt or other hard surfaces; on generally level terrain and by children 12 to 36 months of age.
- To prevent damaging the motors, do not tow anything behind the vehicle or overload it. Do not exceed the maximum weight capacity of 40 lbs (18 kg).
- If you have any questions about your Power Wheels® vehicle, please call our toll-free service lines at **1-800-348-0751** from 8 AM to 6 PM (EST) Monday through Friday. Trained customer service representatives are available to take your call in English or French. Habla Español? Si usted tiene alguna pregunta ó necesita asistencia llame gratis **1-800-348-0755** para los Estados Unidos. Tenemos representantes que hablan español para atender su llamada.
- For your convenience, Power Wheels maintains an Authorized Service Center Network with more than 400 authorized service centers nationwide. Our authorized service centers will repair or replace parts under warranty at no extra charge, and can perform non-warranty repairs for a minimal charge. Please see the Authorized Service Center list beginning on page 16 to find the authorized service center nearest to you, or call **1-800-348-0751**.
- Please complete and return the enclosed Registration Card today, or call **1-800-348-0751** to register your vehicle by phone.
- Make sure children know and follow these rules for safe driving and riding: always sit on the seat; always wear shoes; only 1 (one) rider at a time.

## B

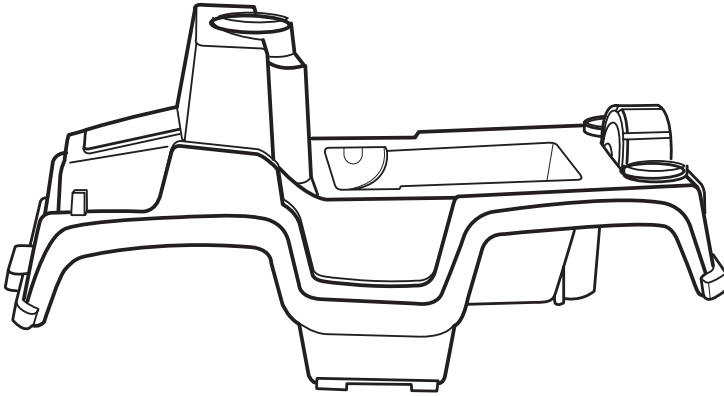
### Warnings



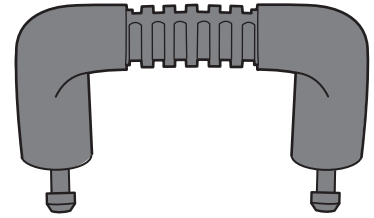
#### WARNING

- **Prevent Injuries and Deaths**
  - Direct Adult Supervision Required
  - Keep Children Within Safe Riding Areas. These areas must be:
    - away from swimming pools and other bodies of water to prevent drownings
    - generally level to prevent tipovers
    - away from steps, driveways, roads and alleys.
  - Not to be used by children over 36 months, to prevent overloading.

- If you experience a problem with this product, or are missing a part, please call us at **1-800-348-0751**, rather than return this product to the store.
- Please identify all parts before assembly and save all packaging material until assembly is complete to ensure that no parts are discarded.
- Metal parts have been coated with a lubricant to protect them during shipment. Wipe all metal parts with a paper towel to remove any excess lubricant.



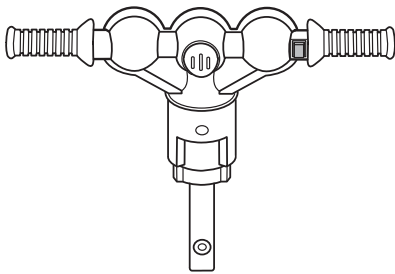
Vehicle Body



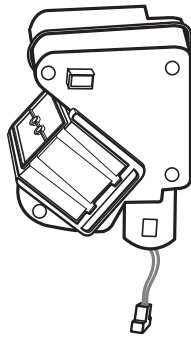
Sport Bar



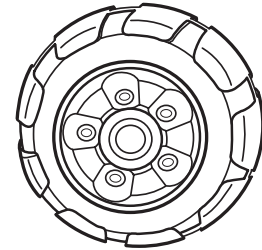
Steering Linkage



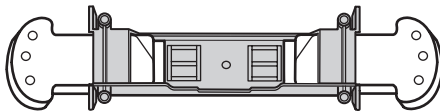
Handlebar



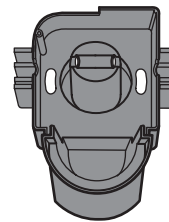
Motor Assembly



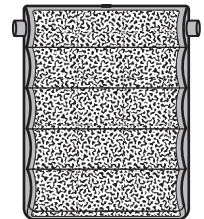
Wheel - 4



Foot Peg Assembly



Rear Axle Support



Seat

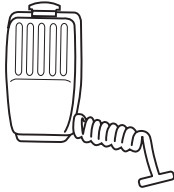


Front Axle

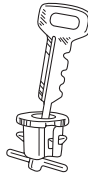


Rear Axle

# Parts



Microphone



Key Assembly



Rectangular Bushing  
with Extension - 4



Rectangular  
Bushing - 4



Round Bushing - 4



Washer Plate - 2

Not Shown: Label Sheet



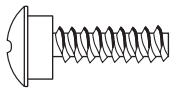
#8 x 7/8" Trusshead Screw - 2



#8 x 3/4" Screw - 4



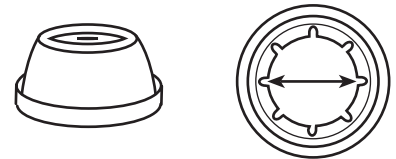
#8 x 1/4" Screw



#8 x 5/8" Trusshead Shoulder Screw - 2



Round Washer - 2

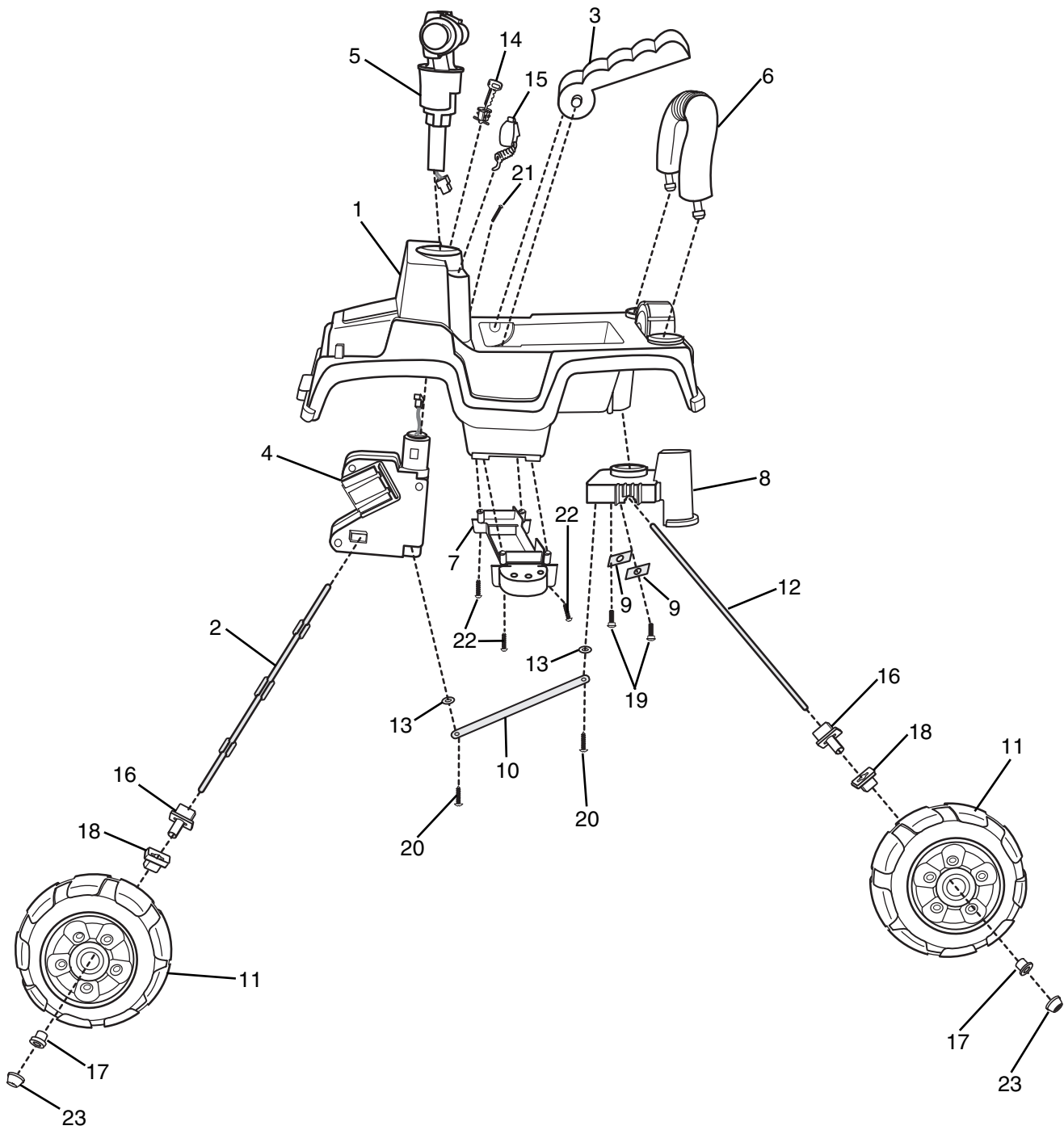


.354 Cap Nut - 4

**All Shown Actual Size**

# D

## Parts Diagram



**Note:** Some parts shown are assembled to both sides of the vehicle.

- |                      |  |   |
|----------------------|--|---|
| 1. Vehicle Body      | 10. Steering Linkage                       | 17. Round Bushing - 4                                 |
| 2. Front Axle        | 11. Wheel - 4                              | 18. Rectangular Bushing - 4                           |
| 3. Seat              | 12. Rear Axle                              | 19. #8 x $\frac{7}{8}$ " Trusshead Screw - 2          |
| 4. Motor Assembly    | 13. Round Washer - 2                       | 20. #8 x $\frac{5}{8}$ " Trusshead Shoulder Screw - 2 |
| 5. Handlebar         | 14. Key Assembly                           | 21. #8 x $1\frac{1}{4}$ " Screw                       |
| 6. Sport Bar         | 15. Microphone                             | 22. #8 x $\frac{3}{4}$ " Screw - 4                    |
| 7. Foot Peg Assembly | 16. Rectangular Bushing with Extension - 4 | 23. .354 Cap Nut - 4                                  |
| 8. Rear Axle Support |  |   |
| 9. Washer Plate - 2  |  |   |

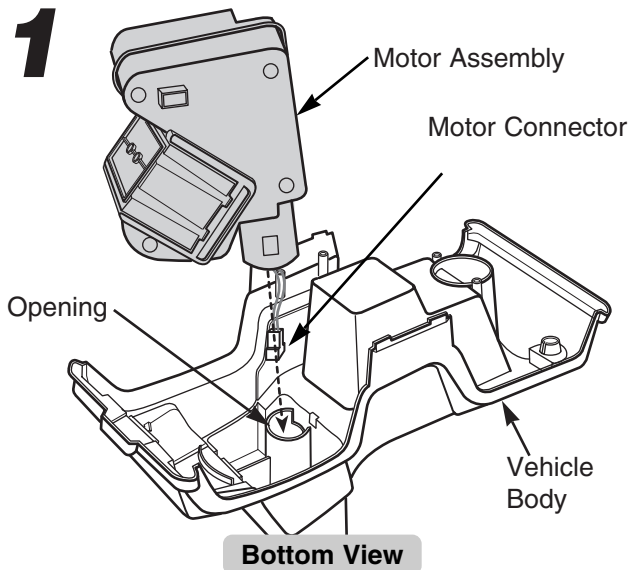
**Not Shown**  
Label Sheet



## CAUTION

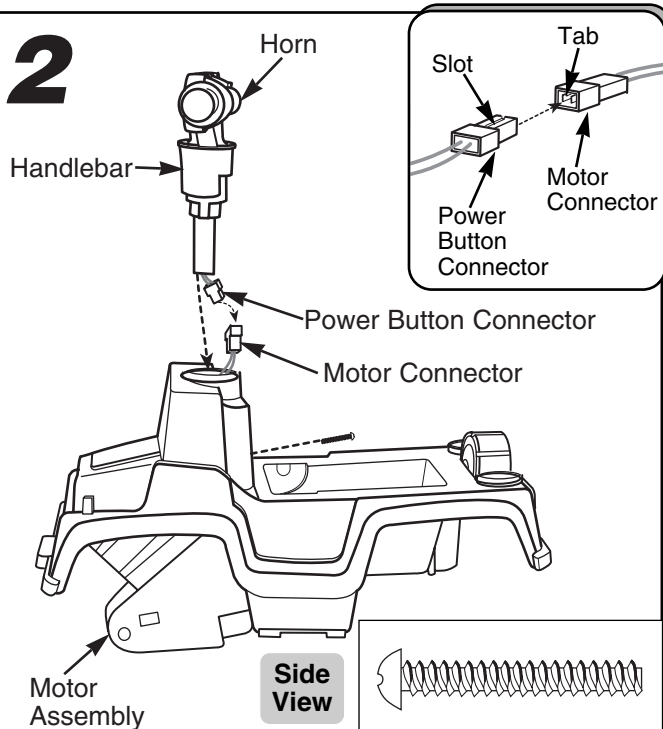
This product contains small parts in its unassembled state. Adult assembly is required.

# 1



- Position the vehicle body upside down on a flat surface.
- Fit the motor assembly into the opening towards the front of the vehicle body. Make sure the motor connector extends through the opening.

# 2



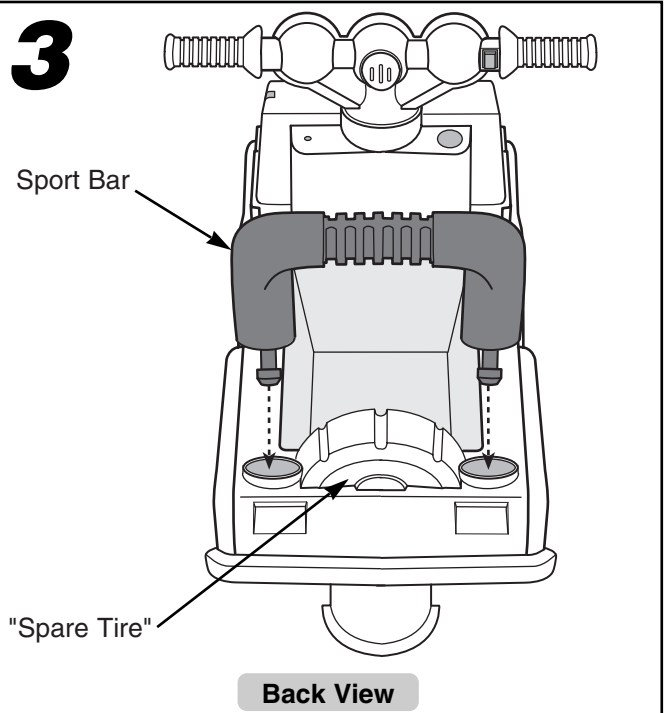
- Hold the motor assembly in place and position the vehicle body upright.

- Align the slot in the handlebar's power button connector with the tab on the motor connector and push firmly to plug the two connectors together. **Make sure the two connectors are fully engaged.**
- Fit the connectors neatly into the opening.
- Fit the handlebar stem in the hole in the vehicle body. **Make sure the horn on the handlebar faces the rear of the vehicle body.**
- Insert a #8 x 1<sup>1</sup>/<sub>4</sub>" screw through the hole in the motor assembly.

**Note:** You may need to rotate the motor assembly slightly to align the holes.

- Tighten the screw with a Phillips screwdriver. Do not over-tighten.

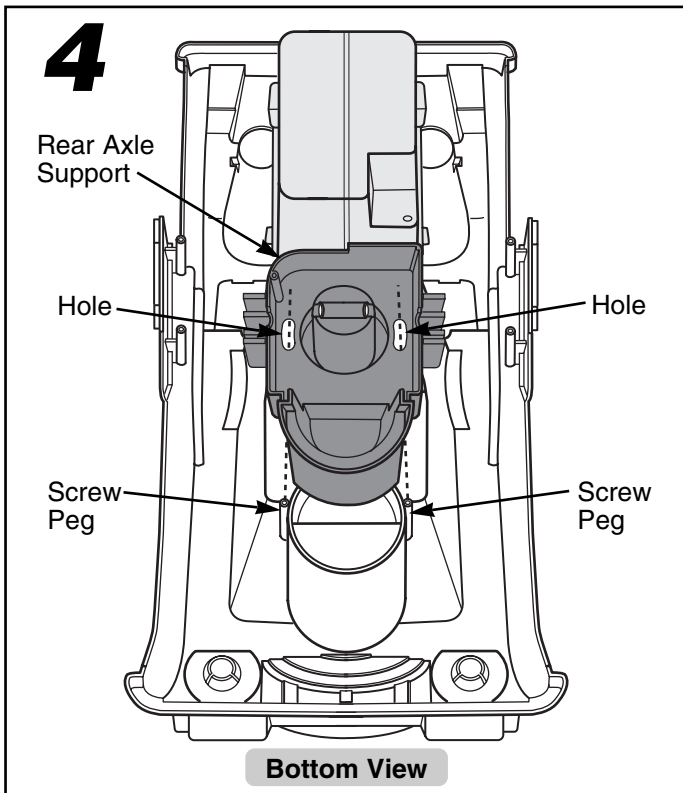
# 3



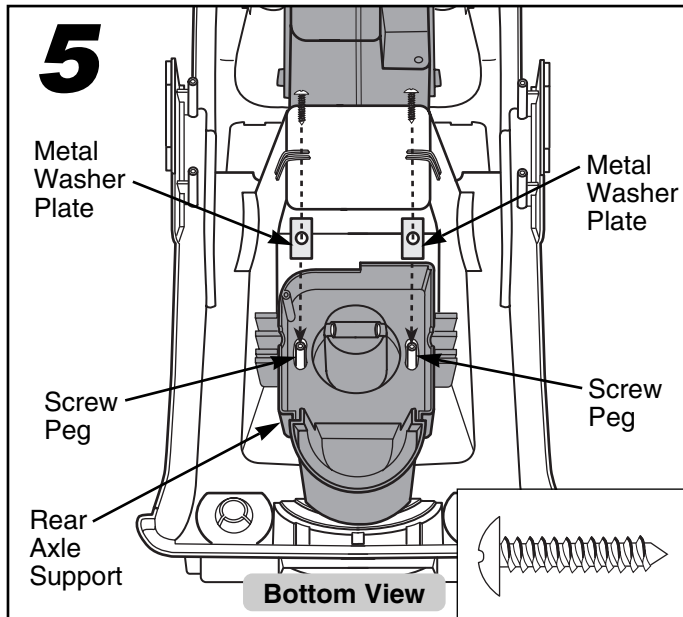
- Position the sport bar over the vehicle body so that it angles towards the rear of the vehicle.
- Fit the ends of the sport bar into the holes to the sides of the "spare tire".
- Push **firmly** on each side of the sport bar to snap the ends into the vehicle body.

**Hint:** You may need to rock the sport bar back and forth while pushing it into the vehicle body.

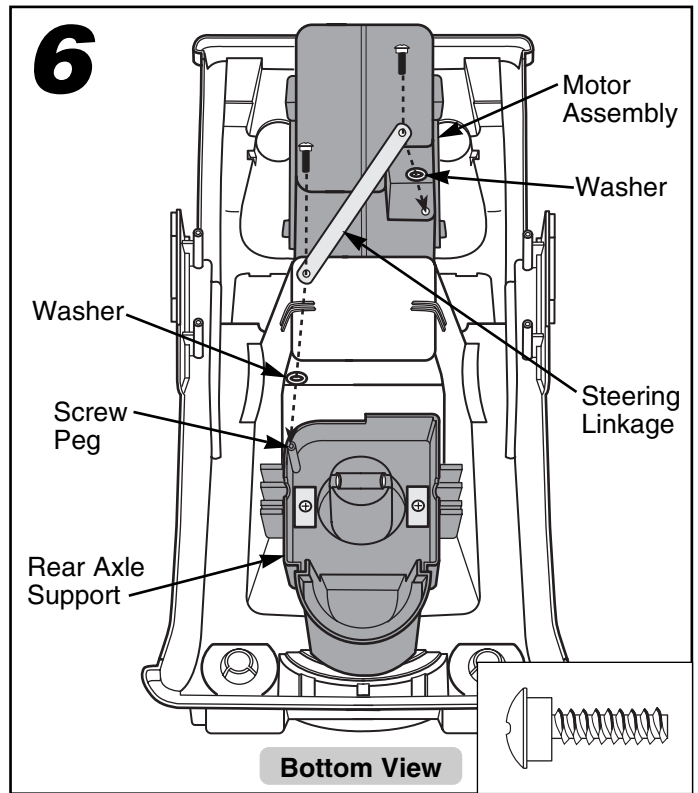
# Assembly



- Position the vehicle body upside down.
- With the cupped side of the rear axle support facing up, fit the holes in the rear axle support onto the screw pegs on the vehicle body.



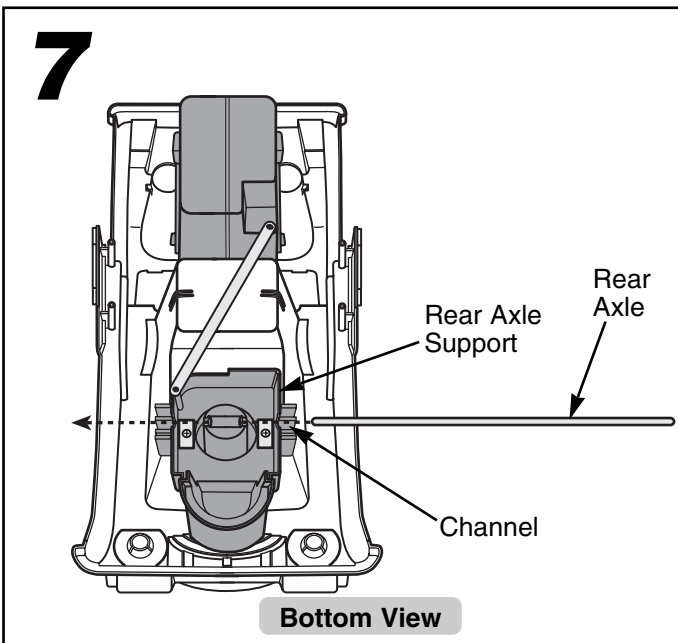
- Fit the two metal washer plates onto the vehicle body screw pegs extending through the rear axle support.
- Insert a #8 x  $\frac{7}{8}$ " trusshead screw through each metal washer plate and into the vehicle body.
- Tighten the screws with a Phillips screwdriver but **do not over-tighten**. It is important that the metal washer plates move freely under the screws.



- Insert #8 x  $\frac{5}{8}$ " trusshead shoulder screws through the holes in the steering linkage.
- Fit a round washer on the end of each screw.
- Insert one of the screws (with washer) into the screw peg on the rear axle support. Insert the other screw (with washer) into the hole in the motor assembly.
- Tighten the screws with a Phillips screwdriver but **do not over-tighten**. It is important that the screws not restrict movement of the steering linkage.

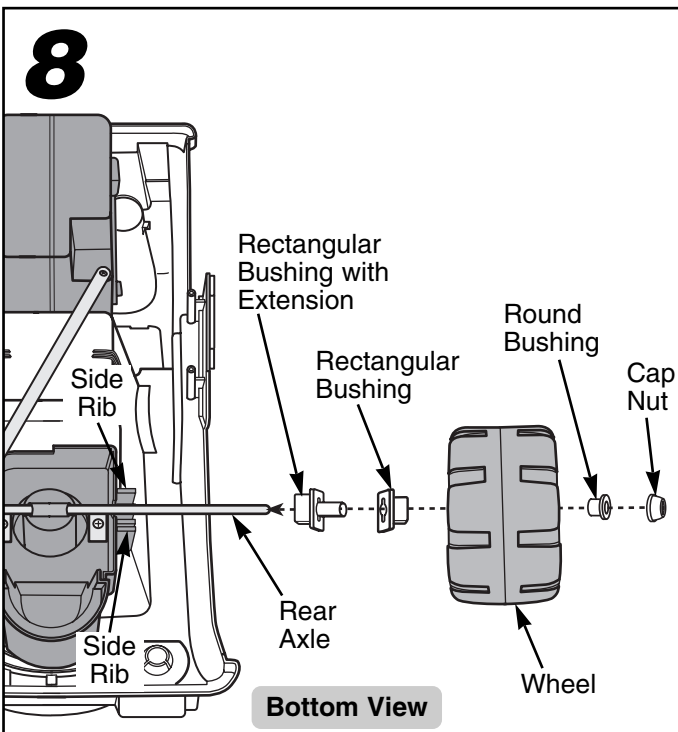
# Assembly

## 7



- Slide the rear axle into the channel in the rear axle support.
- Note:** The rear axle is smooth; the front axle has tabs.
- Center the rear axle in the channel.

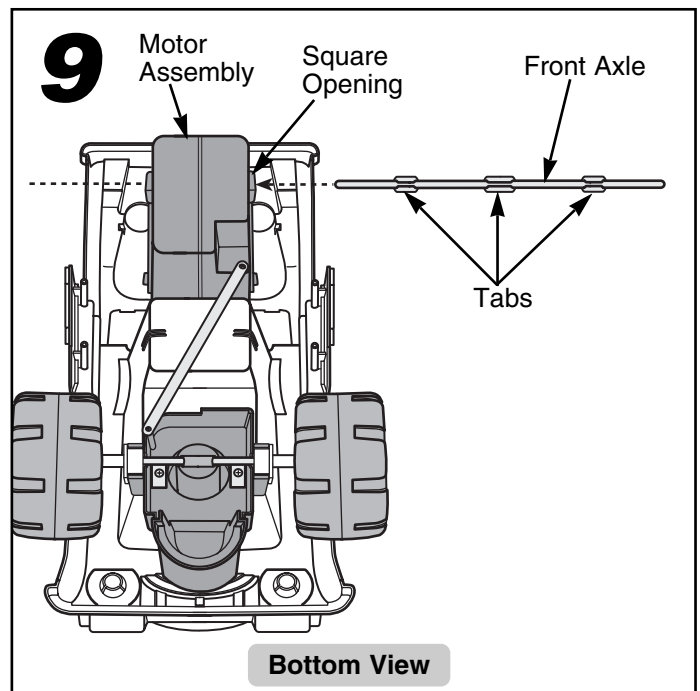
## 8



- Slide a rectangular bushing with extension (bushing side first) onto one end of the rear axle.
- **Fit the bushing between the two side ribs on the rear axle support.**
- Slide a rectangular bushing (without extension) onto the rear axle.
- Slide a wheel ("hubcap" side out) onto the rear axle.

- Slide a round bushing into the center of the wheel.
- Press the round bushing (barrel side first) onto the rear axle.
- Fit a cap nut on the end of the rear axle. While supporting the opposite end of the rear axle, tap the cap nut with a hammer to secure it on the end of the rear axle.
- Pull on the wheel to make sure the cap nut is secure.
- Repeat this procedure to assemble a wheel on the other side of the rear axle.

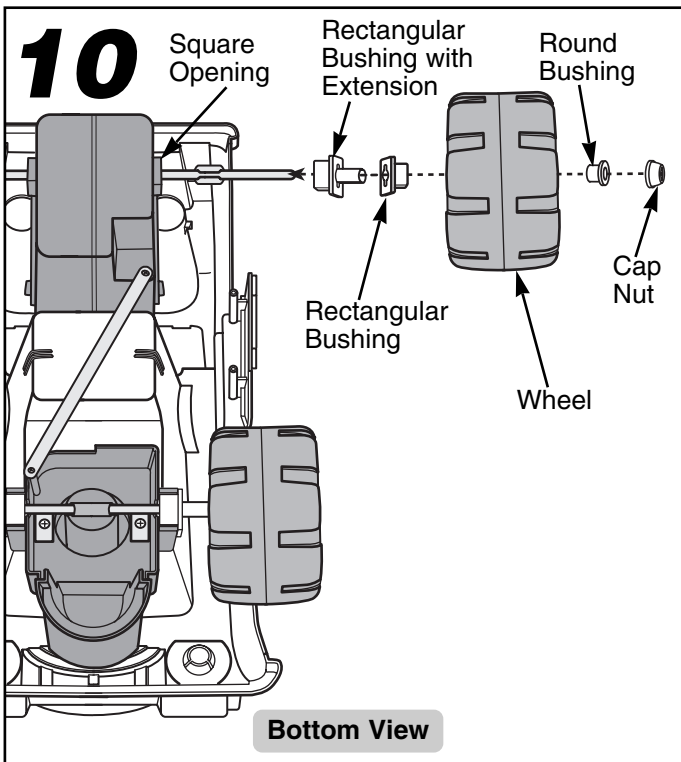
## 9



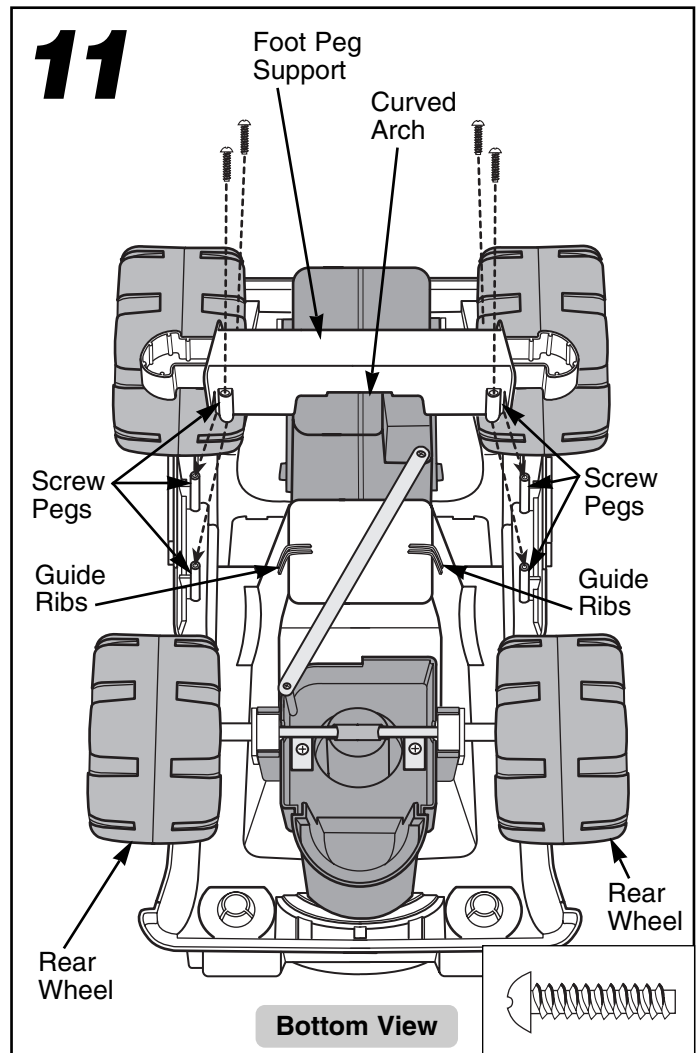
- Slide the front axle through the square openings in the motor assembly.
- Note:** You may need to rotate the front axle to fit the tabs on the axle through the keyhole opening on the inside of the motor assembly.
- Center the front axle in the motor assembly.



# Assembly



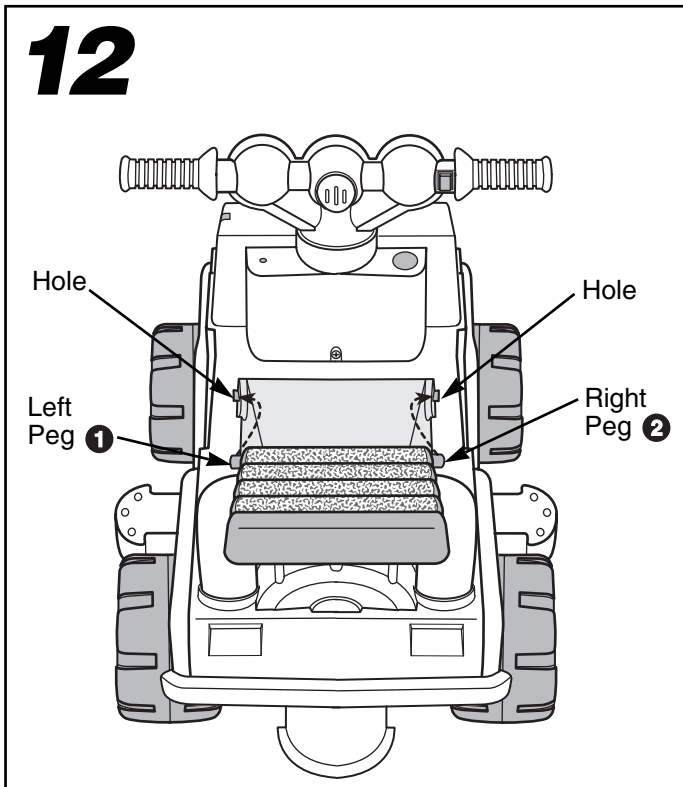
- Slide a rectangular bushing with extension (bushing side first) onto one end of the front axle.
- **Press the bushing into the square opening on the motor assembly.**
- Slide a rectangular bushing (without extension) onto the front axle.
- Slide a wheel ("hubcap" side out) onto the front axle.
- Slide a round bushing (barrel side first) onto the front axle.
- Press the round bushing into the center of the wheel.
- Fit a cap nut on the end of the front axle. While supporting the opposite end of the front axle, tap the cap nut with a hammer to secure it on the end of the front axle.
- Pull on the wheel to make sure the cap nut is secure.
- Repeat this procedure to assemble a wheel on the other side of the front axle.



- Turn the foot peg support upside down (flat side up) and position it over the center of the vehicle body so that the side with the curved arch faces toward the rear wheels.
- Align the four screw pegs on the foot peg support with the four screw pegs on the vehicle body. **Make sure that the bottom edge of the foot support fits into the two sets of guide ribs on the vehicle body.**
- Insert four #8 x  $\frac{3}{4}$ " screws through the screw pegs and into the vehicle body. Tighten the screws with a Phillips screwdriver. Do not over-tighten.

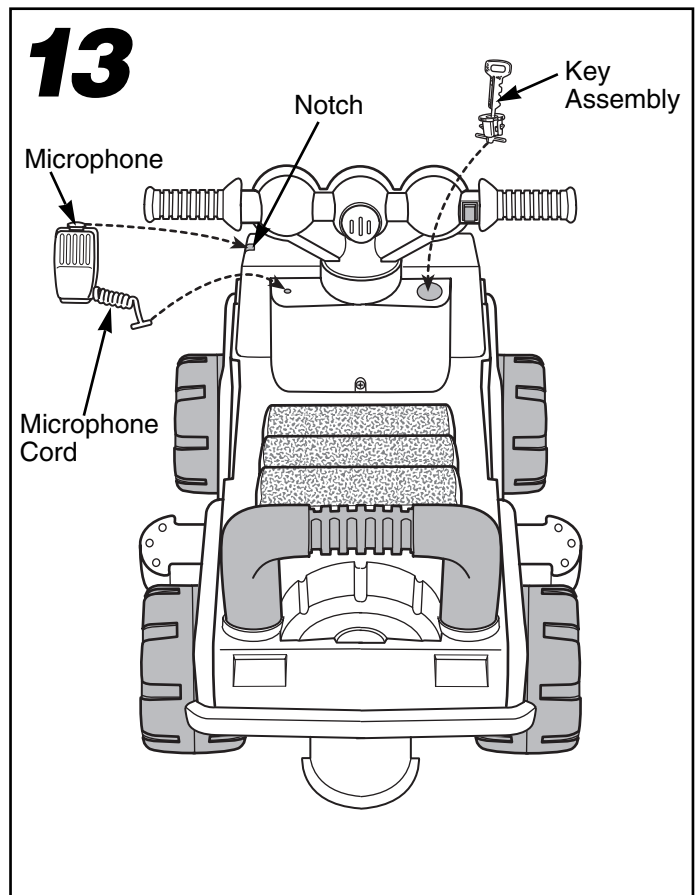
# Assembly

## 12



- Position the vehicle body upright.
- Fit the peg on the left side of the seat into the hole in the left side of the vehicle body **1**.
- Push firmly near the peg on the right side of the seat to snap it into the hole in the right side of the vehicle body **2**.

## 13



- Fit the key assembly into the large hole below the handlebar.
- Bend the end of the microphone cord so that the tip forms a "T".
- Fit the end of the microphone cord into the small hole below the handlebar. Pull up gently on the microphone cord to make sure it is secure.
- Fit the tab on the back of the microphone into the notch on the side of the vehicle body.

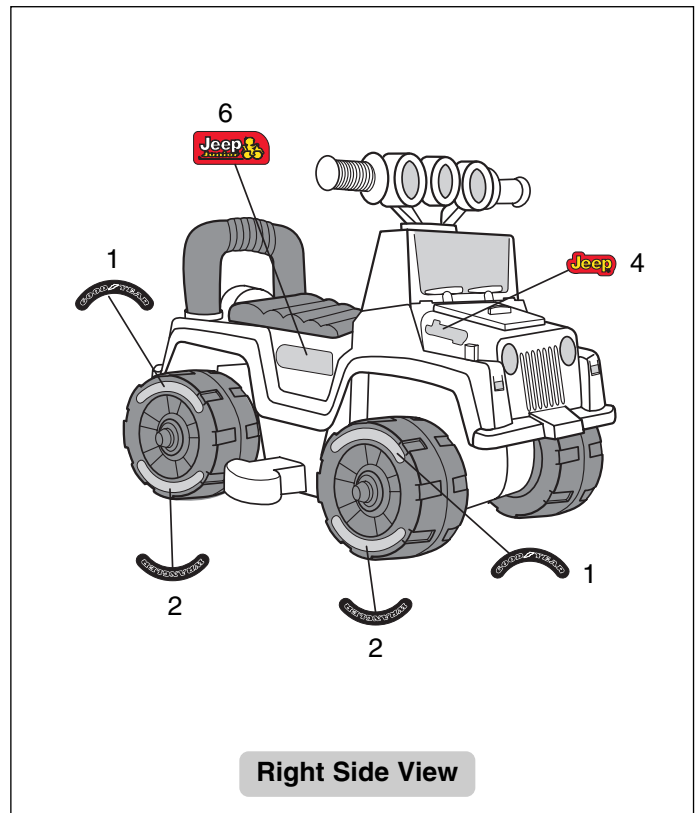
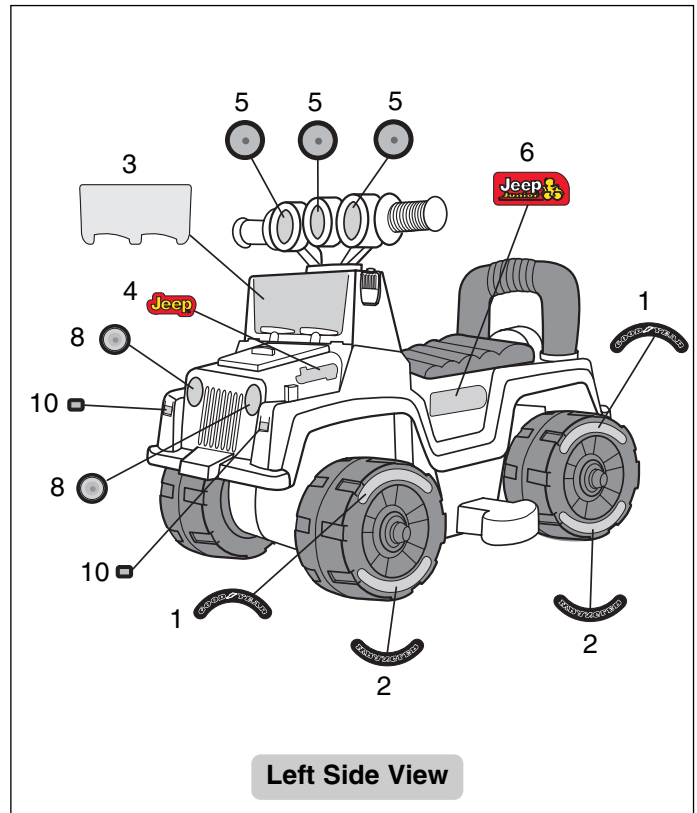
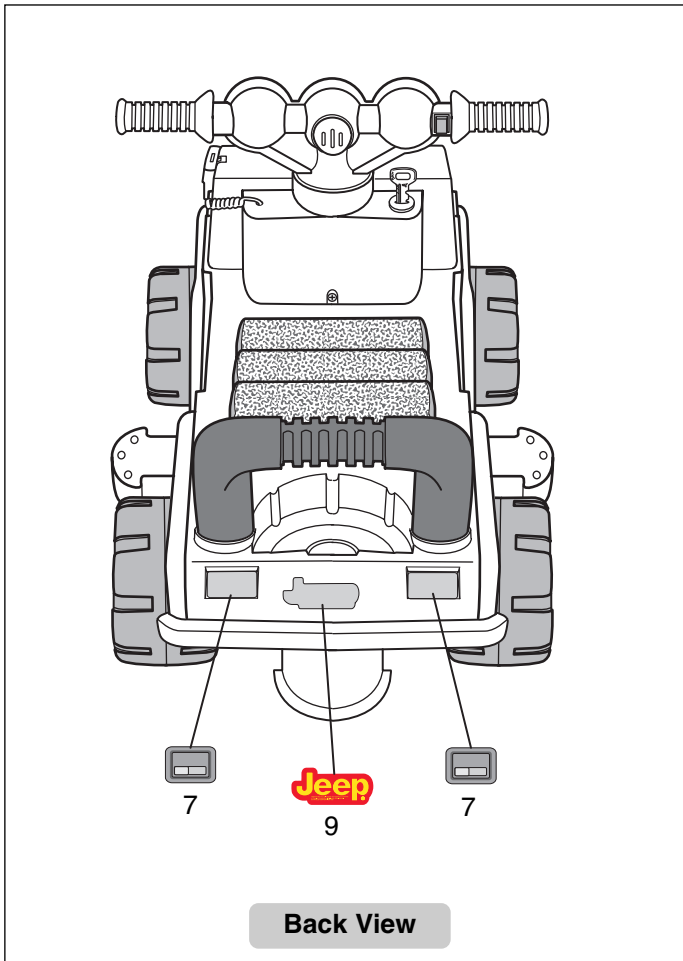
**One-time assembly is now complete.**

# F

## Label Decoration

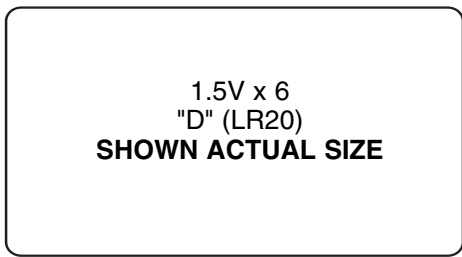
Proper label application will help to keep the labels looking their best!

- Wash your hands before applying the labels.
- Make sure the areas where the labels will be applied are clean and dry. Wipe your vehicle with a clean, soft, dry cloth to remove any dust or oils.
- For best results, avoid repositioning a label once it has been applied to the vehicle.
- Apply the labels as shown in the illustrations.
- **After applying each label, rub the label firmly with a clean, dry cloth to make sure the label is adhered to your vehicle.**

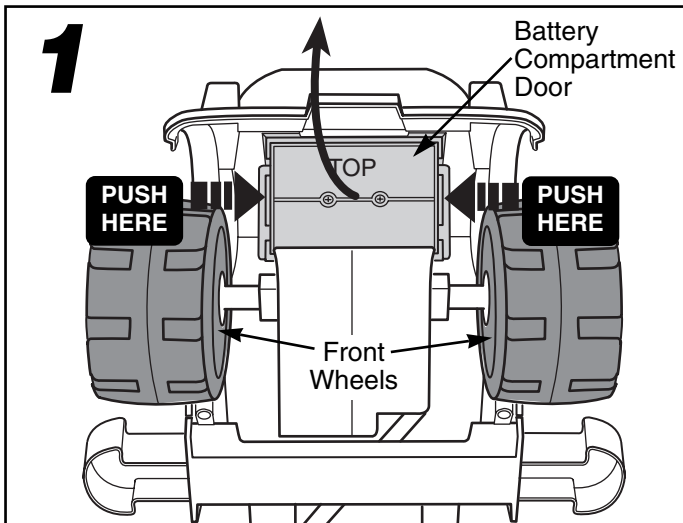


# G

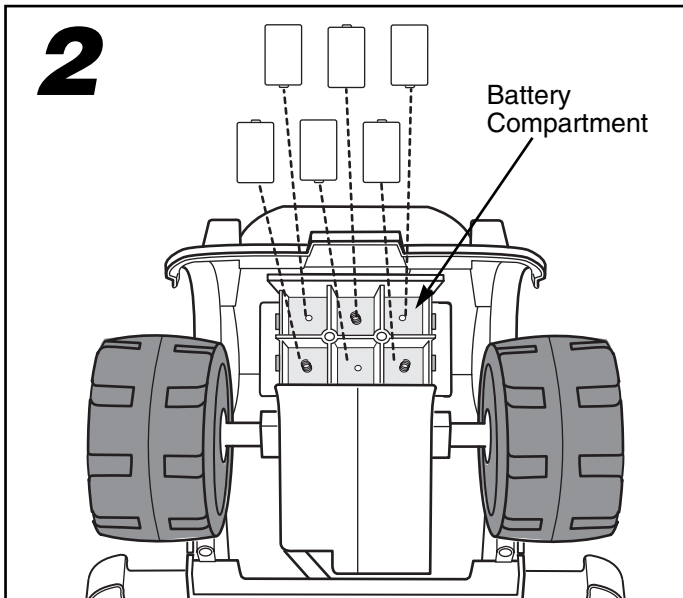
## Battery Installation



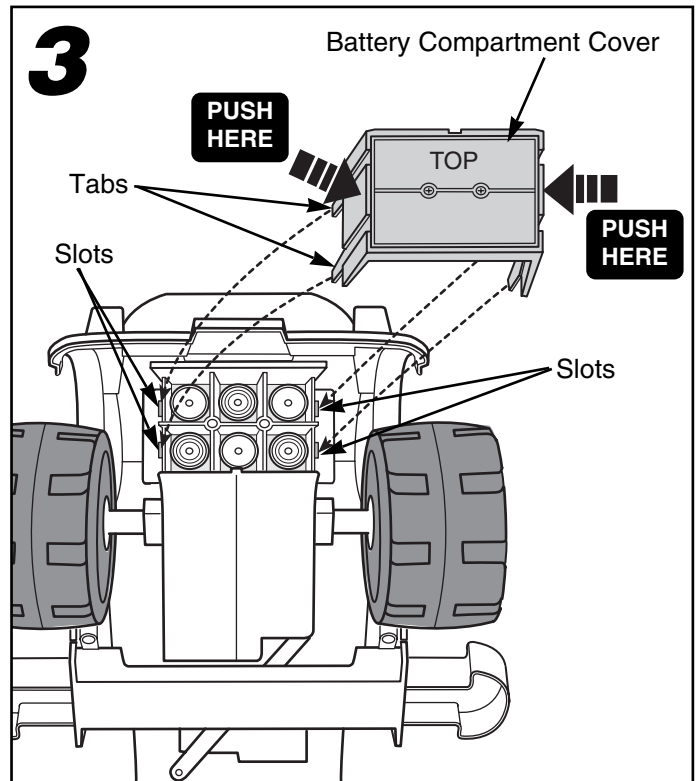
This vehicle requires six "D" (LR20) **alkaline** batteries (not included) for motorized use.



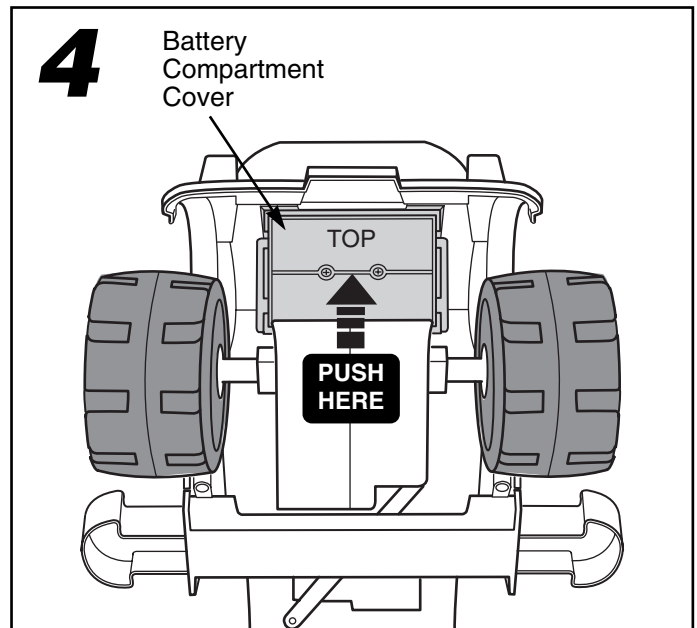
- Stand the vehicle body up on its back end.
- Loosen the screws in the battery compartment door with a Phillips screwdriver. The screws will remain in the door.
- Push in on the sides of the battery compartment cover near the bottom and lift to remove the cover.



- Insert six "D" (LR20) **alkaline** batteries as indicated in the battery compartment.



- Fit the battery compartment cover over the batteries. Make sure that the TOP of the cover is at the top and that the four tabs on the sides of the cover are aligned with the slots in the base of the motor assembly.



- Apply light pressure to the battery compartment cover and tighten the screws with a Phillips screwdriver. Do not over-tighten.

## Battery Installation

### Battery Tips

- Be sure to insert the batteries correctly and always follow the toy and battery manufacturer's instructions.
- Do not mix old and new batteries.
- Do not mix different types of batteries: alkaline, standard (carbon-zinc) or rechargeable (nickel-cadmium).
- Remove the batteries during long periods of non-use. Always remove exhausted batteries from the product. Battery leakage and corrosion can cause damage. Dispose of batteries properly.
- Never short circuit the battery terminals.
- Non-rechargeable batteries are not to be recharged.
- Only batteries of the same or equivalent type as recommended in the "Battery Installation" instructions are to be used.
- If removable rechargeable batteries are used, they are only to be charged under adult supervision.
- Rechargeable batteries are to be removed from the product before they are charged.
- If you use a battery charger, it should be examined regularly for damage to the cord, plug, enclosure and other parts. Do not use a damaged battery charger until it has been properly repaired.
- If this vehicle drives sluggishly or will not drive at all, it's time to replace the batteries.

## H

## Rules For Safe Driving



### WARNING

#### Prevent Injuries and Deaths

- Direct Adult Supervision Required.
- Keep Children Within Safe Riding Areas  
These areas must be:
  - away from swimming pools and other bodies of water to prevent drownings.
  - generally level to prevent tipovers.
  - away from steps, driveways, roads and alleys.
- Not to be used by children over 36 months, to prevent overloading.

## Rules For Safe Driving

### Teach Safety Rules to Children

While children can quickly develop the skill necessary to drive this vehicle, it is important to remember that their judgment skills are still very immature. Unsupervised driving by children can lead to serious injury. Before children use this vehicle, an adult should carefully evaluate the driving area as well as the children's skill level and ability to drive this vehicle safely. Children are not always able to recognize or anticipate hazards, even when they have been taught about them. **THERE IS NO ACCEPTABLE SUBSTITUTE FOR DIRECT ADULT SUPERVISION.**

Teach appropriate safety rules to your child before allowing operation of this vehicle. These rules should also be reviewed with neighborhood children or other playmates who want to drive this vehicle.

### Riding Rules

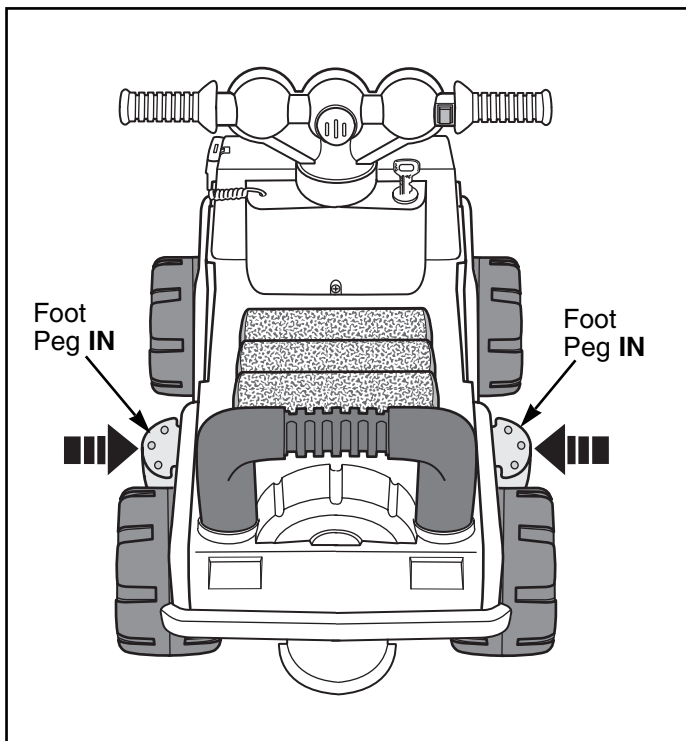
**Make sure children know and follow these rules for safe driving:**

1. Always sit on the seat.
2. Always wear shoes.
3. Only 1 (one) rider at a time. A child who is not sitting on the seat or who is standing on the vehicle could fall off, cause a tip-over or block the driver's view. A child could be seriously injured.
4. Do not allow any child to drive the vehicle in the street or near moving (motorized) vehicles.
5. Do not allow any child to drive near bodies of water (such as pools or creeks), obstructions (such as furniture, low tree limbs or play equipment), or drop-offs (such as stairs or decks).
6. Do not allow any child to drive the vehicle in the dark. A child could encounter unexpected obstacles and have an accident. Operate the vehicle only in the daytime or a well-lit area.
7. Do not allow your child to drive on sloped or inclined surfaces. **Restrict your child's driving to generally level ground ONLY!**
8. Do not allow your child to drive down or across a steep slope.
  - The vehicle may gain unsafe speed, even if the pedal is released to stop.
  - The vehicle may tilt and tip over.
  - The wheels could lose traction, causing the vehicle to slip.
9. Do not allow your child to drive up steep inclines. The motor may stop and the vehicle could roll backwards at an unsafe speed.
10. Never put anything near any moving parts. Rotating parts such as motors, gear boxes and wheels can snag fingers, hair, etc., causing serious injury. Do not allow operation of the vehicle when it is on its side or in an upside-down position.
11. Do not operate the vehicle near flammable vapors (gasoline, paint thinner, acetone, liquid wax, etc.). The vehicle's electrical switches, like most electrical switches, emit an internal spark when first turned on or turned off. The presence of flammable liquids or vapors could cause an explosion or a fire. Keep all flammable products in tightly sealed containers and away from the vehicle.
12. Do not allow a child to operate the vehicle without direct adult supervision. To prevent unsupervised use of the vehicle, disconnect the motor harness from the battery when the vehicle is not in use.

# How to Operate Your Vehicle

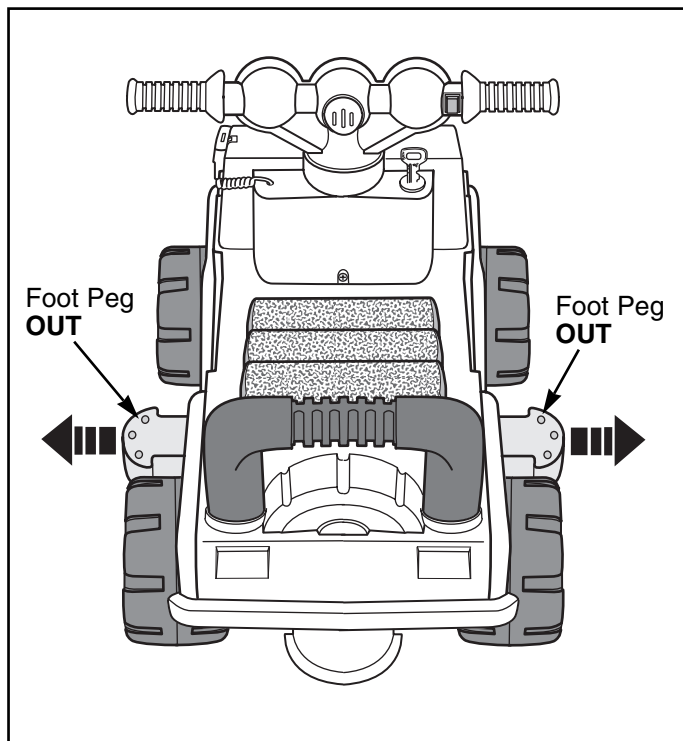
This vehicle has been designed for use as a foot powered ride-on for younger children and for use as a battery powered, motorized vehicle when your child is ready to roll.

## Foot Power



- For use as a foot powered ride-on, make sure the foot pegs are pushed into the foot peg support.

## Motorized



- For use as a battery powered motorized vehicle, pull the foot pegs out to extend them to the platform position.
- Make sure your child's feet are resting on the foot pegs and press the handlebar button. The vehicle will move forward at a maximum of 1 mph.

# J

## Caring for Your Vehicle

- Check all screws, cap nuts and protective coverings regularly and tighten as required. Check plastic parts on a regular basis for cracks or broken pieces.
- During snowy or rainy weather, the vehicle should be stored inside or under a protective cover.
- Avoid operating the vehicle in wet or snowy conditions and do not spray the vehicle with a hose. Do not wash the vehicle with soap and water. Water or moisture in the motor can cause it to corrode and could cause motor failure.
- Avoid operating the vehicle on sand, loose dirt or gravel. Sand, loose dirt or gravel in the motor can cause it to jam and could cause motor failure.
- The vehicle can be wiped down with a soft, dry cloth. For a shiny finish, you can wipe plastic parts with a non-wax furniture polish applied to a soft-cloth. Do not use automotive wax. Do not use soap and water or spray the vehicle with a hose.

# K

## Bumper-to-Bumper\* Limited Warranty

**\*One year limited warranty from the date of purchase on the Power Wheels® vehicle.**

For the original purchaser, this one year limited warranty covers the Power Wheels® ride-on vehicle (purchased from Power Wheels®) against defects in materials and workmanship.

This warranty covers normal use and does not cover the Power Wheels® vehicle if damaged by unreasonable use, neglect, accident, abuse, misuse, improper service or other causes not arising out of defects in materials or workmanship. Evidence of any attempt at consumer repair will void this warranty. This warranty does not cover, and is intended to exclude, any liability on the part of Power Wheels®, whether under this warranty or implied by law or any indirect or consequential damages for breach of warranty. Some states do not allow the exclusion or limitation so this limitation may not apply to you.

Should you need service or assistance with your vehicle during the warranty period, **do not return the vehicle to the store.** Power Wheels® has provided a nationwide network of authorized service centers. Please refer to the list in this manual. Power Wheels® is continually expanding our Authorized Service Center Network. If there is not an authorized service center in your area, please call Consumer Relations for information, **1-800-348-0751**.

THIS WARRANTY GIVES YOU SPECIFIC LEGAL RIGHTS, AND YOU MAY ALSO HAVE OTHER RIGHTS WHICH MAY VARY FROM STATE TO STATE.

**PLEASE SAVE YOUR ORIGINAL SALES RECEIPT.**

We are continually expanding our Authorized Service Center Network. Please check this listing for the Authorized Service Center nearest you. If there is not one in your area, please call Power Wheels® Consumer Relations at 1-800-348-0751.

### ALABAMA

**BIRMINGHAM** - Frigid Service & Sales, 701 Graymont Ave. North, 35203, (205) 323-5831  
**BIRMINGHAM** - Frigid Service & Sales, 1861 Centerpoint Rd., 35215, (205) 853-3952  
**BIRMINGHAM (HOMEWOOD)** - Frigid Appliance Center, 154 West Valley Ave., 35209, (205) 942-3959  
**DECATUR** - Peddler II, 1000 B Bellline Road, 35603, (205) 350-1044  
**DOTHAN** - Bill's Appliance Service, 208 Bic Road, P.O. Box 1192, 36303, (334) 792-7746  
**DOUGLAS** - Brown Hardware, Highway 75, 35964, (205) 593-6086  
**HUNTSVILLE** - C & G Appliance, 307 Jordan Lane, 35805, (205) 837-4551  
**MOBILE** - Foster's Appliance Repair, 1660 South Bellline Highway, 36693, (334) 666-2670  
**NORTHPORT** - Appliance Connection, 2703 McFarland Blvd, 35476, (205) 339-2774  
**TROY** - Specialty Batteries, 1317 S. Brundidge St., P.O. Box 1045, 36081, (334) 670-6800, (800) 477-8230

### ALASKA

**ANCHORAGE** - Ken's Electronics Service, 360 E. International, Ste. 8, 99518, (907) 562-3443  
**FAIRBANKS** - Appliance Service Co. Inc., 700 23rd Ave., 99701, (907) 452-1000

### ARIZONA

**COTTONWOOD** - Blackhills Auto Electric, 951 Blackhills Dr. Suite D, 86326, (520) 634-4159  
**GLENDAL** - Elliott Electric Appliance Service, 6242 N. 43rd Avenue, 85301, (623) 937-2613  
**SCOTTSDALE** - Elliott Electric, 7515 E. McDowell Road, 85257, (480) 946-7487

### ARKANSAS

**FT. SMITH** - Bromley Appliance Service, 614 North 10th Street, 72901, (501) 782-9646  
**GLENWOOD** - Gardening Plus, 110 North 2nd Street, 71943, (870) 356-2233  
**JONESBORO** - Best Sewing & Vacuum & Repair, 2235 S. Caraway Road, 72401, (501) 935-4739, (800) 844-4739  
**LITTLE ROCK** - C & W Tool Repair, 1303 W. Markham, 72201, (501) 374-1911  
**ROGERS** - Kressel's Vacuum & Repair, 115 North 5th Street, 72756, (501) 636-7894  
**STUTTGART** - Davis Lumber Company, 301 East Michigan, 72160, (501) 673-3601

### CALIFORNIA

**ANDERSON** - Hardware Express/Do It Best, 2681 Balls Ferry Road, 96007, (916) 365-3783  
**BAKERSFIELD** - Southwest TV, 6300 White Lane, Suite B, 93309, (805) 397-4940  
**CONCORD** - California Electric Service Center, 1170-G Burnett Avenue, 94520, (510) 827-1011  
**COVINA** - California Electric Service Center, 612 Shoppers Lane, 91723, (818) 915-4935  
**FORT JONES** - Ft. Jones Frontier Hardware, 11911 Main Street, 96032, (916) 468-2266  
**FRESNO** - Valley Small Appliance, 4005 E. Ashlan Avenue, 93726, (209) 224-5530  
**FULLERTON** - California Electric Service Center, 1208 E. Ash Avenue, 92631-5020, (714) 870-0900  
**LAKE FOREST** - California Electric Service, 22500 Muirlands Suite B, 92630, (949) 586-9440  
**LOS ALAMITOS** - California Electric Service Center, 11284 Los Alamitos Blvd., 90720, (562) 430-2668  
**OAKLAND** - California Electric Service Center, 1139 E. 12th Street, 94606, (510) 834-1050  
**PASADENA** - California Electric Service Center, 2594 E. Colorado Blvd., 91107, (818) 792-3194  
**SACRAMENTO** - California Electric Service Center, 1821 "Q" Street, 95814, (916) 443-5711  
**SALINAS** - SRS Hobbies, 1038A North Davis Road, 93907, (831) 424-4044, (800) 414-4547  
**SAN DIEGO** - California Electric Service Center, 3430 El Cajon Blvd., 92104, (619) 283-6488

**SAN JOSE** - California Electric Service Center, 481 So. Bascom, 95126, (408) 295-1723  
**SANTA ROSA** - Hardisty's Inc., 710 Farmers Lane, 95405, (707) 545-0535  
**SKY FOREST** - Sky Forest Electrical, 28670 Highway 18 P.O. Box 496, 92385, (909) 337-0811  
**TEMECULA** - California Electric Service Center, 41715 Enterprise Circle North, Suite 101, 92590, (909) 296-0205  
**VAN NUYS** - California Electric Service Center, 14753 Oxnard Blvd., 91411, (818) 997-8855  
**WEST LOS ANGELES** - California Electric Service Center, 2314 S. Westwood Blvd., 90064, (310) 475-2532  
**YUCAIPA** - Aire-Rite Heating & A/C, 34724 Yucaipa Blvd., 92399, (909) 797-2788

### COLORADO

**COLORADO SPRINGS** - Nelson Appliance Repair, Inc., 1220 E. Fillmore, 80907, (719) 635-1928, (800) 291-8010  
**DENVER** - Appliance Service, 4272 Lowell Blvd., 80211, (303) 458-1109, (800) 631-0941 (CO, WY only)  
**GRAND JUNCTION** - V & L Appliance Service, 591 25 Road Suite A6, 81506, (970) 243-3360  
**PUEBLO** - Direct Maytag Home Appliance, 1407 Santa Fe Drive, 81006, (719) 543-0777

### CONNECTICUT

**HARTFORD** - Hartford Element & Appliance Service, 1500 Albany Ave., 06112, (860) 246-7424, (800) 787-7977  
**NEW HAVEN (HAMDEN)** - New Haven Appliance Service Center, 1627 Dixwell Ave., 06514, (203) 288-6229

**SHELTON** - Jeffs Appliance & Vacuums, 66 Center Street, 06484, (203) 924-8997  
**STAMFORD** - Appliance Servicenter of Stamford, 15 Cedar Heights Road, 06905, (203) 322-7656  
**WATERBURY** - P.J. Appliance Repair, 935 South Main Street, 06706, (203) 757-1014

### DELAWARE

**WILMINGTON** - Lyons Hardware, Inc., 2021 Kirkwood Highway, 19805, (302) 995-1260

### FLORIDA

**ATLANTIC BEACH** - First Coast Repair, 25 Seminole Road, 32233, (904) 246-4616  
**BOYNTON BEACH** - Mister Fix It Small Appliance, 1865 W. Woolbright Road, 33425, (561) 243-9999  
**CALLAHAN** - Arc Electronic Repair, 951 Blackhills Dr. Suite D, 32011, (904) 879-3556  
**CAPE CORAL** - Family Hardware/Do-It Express, 622 SE 47th Terrace, 33904, (941) 542-6365  
**DELRAY** - Mister Fix It, 209 S.E. 2nd Avenue, 33483, (561) 243-9999  
**GAINESVILLE** - Authorized Appliance Service Co., 2614 S.W. 34th Street, 32608, (352) 375-3886

**HIALEAH** - S-O Service Co., 925 Hialeah Drive, 33010, (305) 887-6275  
**HOMESTEAD** - C. M. S., Inc., 1996 N. E. Campbell Drive, 33033, (305) 247-9700  
**JACKSONVILLE** - Authorized Appliance Service Co., 6120-5 Powers Avenue, 32217, (904) 737-5312  
**LAKECITY** - S&S Mowers Inc., RT. 10 Box 35916, 32025, (904) 755-2957  
**LAKELAND** - Electric Shaver & Small Appliance, 4243 S. Florida Avenue, 33813, (863) 644-4690  
**MIAMI** - Goodman's Sales & Service, 13130 SW 128 Street # 3, 33186, (305) 278-8822  
**NORTH PALM BEACH** - Appliance Doctors, 450 Northlake Blvd., 33408, (407) 845-0377  
**OCALA** - Vacuums Center and Gifts, 422 South Pine Street, #103, 34474, (352) 732-6335  
**ORLANDO** - Pine Hills Appliance Svc. Co., 6100-4 W. Colonial Drive, 32808, (407) 299-1271  
**ORLANDO** - Southern Electric Co., 510 N. Parramore Avenue, 32801, (407) 841-8824, (800) 940-8824

**PANAMA CITY** - Callaway Vacuum & Sewing, 221 N. Tyndall Pkwy., 32404, (904) 763-6333  
**PENSACOLA** - Foster's Appliance Repair, 3836 N. Davis Highway, 32503, (904) 432-8853  
**POMPANO BEACH** - Authorized Appliance Service Co., 2171 N. Dixie Highway, 33060, (954) 941-2038  
**PORT ST. LUCIE** - Appliance Doctors, 10632 South Federal Hwy, 34952, (561) 878-7869  
**SARASOTA** - Sunray Small Appliances, 8371 N. Tamiami, 34243, (941) 358-9999, (800) 895-5655  
**SEBRING** - Ace Hardware Of Sebring, 305 U.S. 27 North, 33870, (863) 385-2785  
**SPRING HILL** - Ace Hardware #5304F, 5350 Spring Hill Dr., 34606, (352) 686-4743  
**SPRING HILL** - National Floor Care, 5588 Commercial Way, 34606, (352) 686-6711, (800) 245-1946  
**ST. PETERSBURG** - Keystone Electric, 4604 Central Avenue, 33711, (813) 321-1124  
**STUART** - Appliance Doctors, 3166 S.E. Dixie Highway, 34997, (561) 287-6437  
**SUNRISE** - Muller Appliance Service, 2116 North University Drive, 33322, (954) 749-5460  
**VERO BEACH** - Hoppe's Authorized Vacuum and Appliance, 1872 Commerce Ave., 32960, (561) 562-4466  
**WEST PALM BEACH** - Satisfaction TV Video, 1980 South Congress Ave., 33406, (561) 439-3733, (800) 477-3734  
**WILLISTON** - Future Electronics, 10 SW 7th Street, 32696, (352) 528-5599, (800) 416-1114

### GEORGIA

**ATLANTA** - Georgia Service Center, 5366 Buford Hwy., 30340, (770) 455-1716, (800) 455-1715  
**AUGUSTA** - A & A Appliance Parts & Service, 1708 Walton Way, 30904, (706) 733-5163  
**BRUNSWICK** - Arco Hardware & Supply, 3711 Community Road, 31520, (912) 267-0771  
**COLUMBUS** - Burrell's National Appliance Service, 1728 Warm Springs Road, 31904, (706) 327-0523  
**NORCROSS** - Appliance Connection, 5172-C Brook Hollow Parkway, 30071, (770) 734-9888, (800) 964-7455  
**GAINESVILLE** - Bike Town USA, 1604 Dawsonville Highway, 30501, (770) 532-7090  
**LOGANVILLE** - Loganville Lawn Mower, 157 C. S. Floyd Road, 30052, (770) 466-9111  
**SAVANNAH** - Hagins Appliance Service, 3 West Victory Road, 31405, (912) 233-8372  
**THOMASVILLE** - Carroll Hill Auto, 115 Albany Road, 31799, (912) 266-0717  
**VALDOSTA** - Harry B. Anderson, Inc., 204 E. Central Avenue, 31601, (912) 242-5945  
**WOODSTOCK** - All City Appliance Inc., 8477 Highway 92 Suite 110, 30189, (770) 924-2375

### HAWAII

**HONOLULU** - McCully Bicycle & Sporting Goods, 932 Hausten Street, 96826, (808) 946-1192  
**WAILUKU (MAUI)** - Tom's Appliance Sales & Service, 1816 Mill Street, Suite 104, 96793, (808) 244-6278  
**WAIPAHU** - Gary's Bike World, 94-910 Moloalo Street, 96797, (808) 375-4262

### IDAHO

**BOISE** - Boise Appliance, 1503 Main Street, 83702, (208) 343-0102  
**IDAHO FALLS** - Rossiter Electric, 1501 South Capital Avenue, 83402, (208) 529-3665

### ILLINOIS

**CHAMPAIGN** - Appliance Parts & Service Center, 905 Francois, 61821, (217) 355-0220  
**CHICAGO (BERWYN)** - Brand Service Center, 6739 West Cermak, 60402, (708) 749-4315  
**CHICAGO (DOWNER'S GROVE)** - Authorized Appliance Service Co., 1644 W. Ogden Avenue, 60515, (630) 852-1550







# Authorized Service Centers

## TENNESSEE

**CHATTANOOGA** - Consumer Service Company, 2807 E 47th Street, 37407, (423) 867-8629  
**DANDRIDGE** - Save More Sales, 1291 W Hwy. 25-70, 37725, (865) 397-1255  
**KNOXVILLE** - Appliance & Electric Service Company, 4816-M Kingston Pike, 37919, (865) 588-5395, (800) 585-5395  
**KNOXVILLE** - Authorized Appliance Service Center, 1206 North Central Street, 37917, (865) 524-3376  
**MEMPHIS** - Camp Electric Co., 647 Madison Avenue, 38103, (901) 527-7543, (800) 238-7345  
**NASHVILLE** - Webb's Appliance Service Center, Inc., 1519 Church Street, 37203, (615) 329-4079, (800) 899-4079  
**PINEY FLATS** - Appalachian Small Engines, 6192 Hwy 11E, 37686, (423) 391-0185

## TEXAS

**AMARILLO** - Reid's Appliance Service, Inc., 906 Georgia, 79102, (806) 373-8812  
**AUSTIN** - Harrell Supply and Service, Inc., 5435 Burnet Road, 78756, (512) 451-6464, (800) 332-7250 (TX only)  
**AUSTIN** - Harrell Supply and Service, Inc., 1409 West Oltorf, 78704, (512) 442-5966  
**CORPUS CHRISTI** - Brand Appliance & Microwave, 2751 South Staples, 78404, (361) 854-1851  
**DALLAS** - All Type Sales and Service Co., Inc., 2835 Irving Blvd., 75207, (214) 638-1170, (800) 717-1170  
**DALLAS** - Pearsol Appliance Co., 3127 Main Street, 75226, (214) 939-0930  
**FT. WORTH** - Ft. Worth Shaver and Appliance Center, 1900 Montgomery Street, 76107, (817) 335-9970, (800) 816-2126  
**HOUSTON** - Brand Service Center, 5727 Richmond Avenue, 77057, (713) 782-8910  
**KILLEEN** - Master Tech Repairs, 501 West Elms Road Suite #10, 76542, (254) 618-5480  
**LONGVIEW** - Foster's, 3315 Gilmer Road, 75604, (903) 759-3939  
**LUBBOCK** - Minter's, 4409 50th Street, 79414, (806) 799-3170  
**LUFKIN** - STS Audio and Video, 1505 South First Street, 75901, (936) 639-4529  
**MC ALLEN** - All-In-One Repair Shop, 2313 Lark Avenue, 78504, (210) 682-8858  
**MIDLAND** - Midland Tool Specialty, 918 South Main, 79701, (915) 682-4647, (800) 499-0755  
**PASADENA** - Larry's TV Service, 3520 Fairmont Parkway, 77504, (713) 998-0122,  
**ROMA** - True Value Hardware, 1004 E. Highway 83, (210) 849-1322  
**SAN ANTONIO** - Texas Shaver & Appliances, 8121 Callaghan Road, 78230, (210) 344-8577  
**TEMPLE** - Master Tech Repairs, 2819 West Avenue North, 76504, (817) 773-8991  
**WICHITA FALLS** - Burke's Appliance Service, 2410 10th Street, 76309, (817) 723-6211

## UTAH

**OREM** - The Mending Shed, 1735 South State Street, 84058, (801) 225-8012, (800) 339-9297  
**SALT LAKE CITY** - Appliance Service Center, Inc., 210 East 6th South, 84111, (801) 328-9703  
**WILLARD** - Peak Electric Co Inc, 780 N 200 W, 84340, (435) 723-7104

## VIRGINIA

**ALEXANDRIA** - D & S Repair Service, 20 South Dove Street., 22314 (703) 683-0009  
**BLACKSTONE** - Bevell's True Value Hardware, 109 North High Street, 23824, (804) 292-7208, (800) 883-1270  
**FREDERICKSBURG** - Fredericksburg Electrical Repair, Inc., 10825-D Houser Drive, 22408, (540) 891-7911  
**HARRISONBURG (PENN LAIRD)** - J.L. Maintenance & Repair, Inc., Rt 2, Box 308, 22846, (540) 289-9844  
**LOUISA** - Lakeside Electric Const., 4344 Davis Highway Suite 2, 23093, (540) 967-3000  
**RICHMOND** - Wells Inc., 3502 Jefferson Davis Highway, 23234, (804) 233-6726  
**ROANOKE** - Commonwealth Shaver & Appliance Repair, Inc., Rt 2, Box 308, 22846, (540) 289-9844, (540) 366-6038  
**SOUTH BOSTON** - South Boston True Value, 307 Broad Street, 24592, (804) 572-6666  
**VIRGINIA BEACH** - Commonwealth Electric Shaver, Service, 5524 Williamson Road, NW, 24012, (540) 366-6038  
**WINCHESTER** - Battery Mart of Winchester, Inc., 1 Battery Dr., 22601, (703) 655-0065

## WASHINGTON

**ARLINGTON** - Cordz Limited, 105 North Olympic Avenue, 98223, (360) 435-2471  
**FEDERAL WAY** - Martha Lake Electronics, 2118 South 314th Street, 98003, (253) 946-9033  
**KENNEWICK** - At Home Electronic Service, 313 East First Avenue, 99336, (509) 586-3800  
**LYNNWOOD** - Martha Lake Electronics, 16521 13th Avenue West, 98037, (425) 743-4178  
**RENTON** - Martha Lake Electronics, 212 South West 43rd, 98055, (425) 251-5417  
**SEATTLE** - Action Small Appliance, 2125 2nd Avenue, 98121, (206) 448-2020  
**SEATTLE (BELLEVUE)** - Action Small Appliance Service, 1500 145th Place, SE, 98007, (206) 643-9806  
**SPOKANE** - Aalwaco Appliance, N 3007 Argonne Road, 99212, (509) 487-1089  
**TACOMA** - Martha Lake Electronics, 2913 South 38th Street, 98409, (253) 475-0668  
**WENATCHEE** - Motor Mart, 150 Marr, 98801, (509) 633-4237

## WEST VIRGINIA

**BECKLEY** - Jerry's Detectors, Vacuum & Appl. Svc., 411 Second Street. 25801, (304) 253-3521  
**CHARLESTON** - Sneed's Vacuum & Sewing Center, 2614 7th Avenue, 25312, (304) 744-3670, (800) 245-8048 (WV only)  
**HARRISVILLE** - Western Auto, 1107 E. Main St., 26362, (304) 643-2226  
**HUNTINGTON** - Mike's Appliance and Service, 212 20th Street, 25703, (304) 522-0737  
**MARTINSBURG** - Battery Mart, 1161-3 Winchester Avenue, 25401, (304) 267-7033, (800) 464-7918  
**PARKERSBURG** - Battery Mart, 656 Seventh Street, 26101, (304) 424-7250  
**VIENNA** - T & S Lawn - Landscape & Power Equipment, 1100 10th Street, 26105, (304) 295-7633 (800) 559-7633  
**WHEELING** - Fast Service Center, 1058 Main Street, 26003, (304) 232-5561 (800) 874-4090

## WISCONSIN

**ELK MOUND** - Epp Electronics, E9485-A County Road EE, 54739, (715) 879-4634  
**GREENBAY** - Kastle Carts, Inc., 2301 N. Irwin Ave., 54313, (414) 465-6121  
**LACROSSE** - Paul's Shaver Service, 1224 Caledonia Street, 54603, (608) 782-6291  
**MILWAUKEE** - Brand Appliance Repair, Inc., 6601 W Oklahoma Avenue, 53219, (414) 541-4340  
**MONONA** - Kiefers Shaver & Appliance, 4511 Monona Drive, 53716, (608) 221-3322



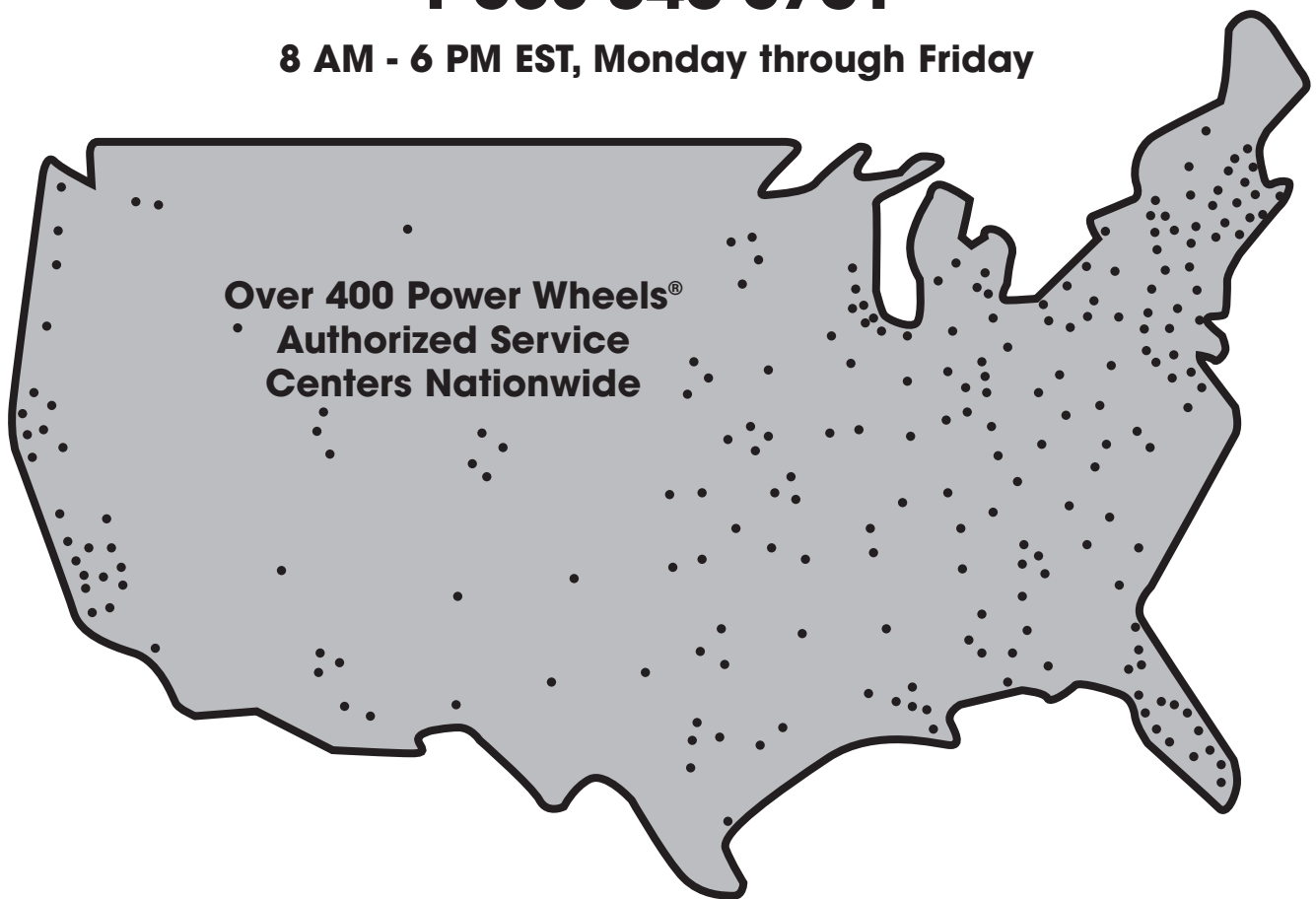
## Do Not Return Your Vehicle to the Store

If you are missing parts or need assistance, please call us toll-free:

**Power Wheels Consumer Relations**

**1-800-348-0751**

**8 AM - 6 PM EST, Monday through Friday**



Or contact your local Power Wheels® Authorized Service Center.

For the location nearest you, refer to the  
Authorized Service Center list in this manual.

