



Product features may vary from the picture above.

LIMITED EDITION MOTORCYCLE

Owner's Manual with Assembly Instructions

Please read this manual and save it with your original sales receipt.

For Model 74298

Tools needed for assembly: Phillips Screwdriver, Hammer and Safety Scissors (not included).

Use only with two Power Wheels® 6 Volt Batteries with A-Style Connectors and Built-in Thermal Fuses, and a Power Wheels® 12 Volt Charger (all included).

Requires three size "AA" (LR6) alkaline batteries (not included) in Sound Box.



Table of Contents

A	Important Information	.2
B	Warnings	.3
C	Parts	.4
D	Parts Diagram	.7
E	Battery Charging	.8
F	Assembly	.10
G	Label Decoration	.19
H	Battery Installation	.21
I	Battery Care and Disposal	.22
J	Caring For Your Vehicle	.22
K	Rules For Safe Driving	.23
L	How to Operate Your Vehicle	.24
M	Statement of Limited Warranty	.25
N	Problems and Solutions Guide	.26
O	Authorized Service Centers	.29

A

Important Information

- Your new vehicle requires adult assembly. Please set aside at least 60 minutes for assembly.
- You must charge your batteries for 18 - 30 hours **before you use your vehicle for the first time**. We recommend that you start charging your batteries before beginning assembly. Please see Battery Charging beginning on page 8 for detailed instructions.
- Read this manual carefully for important safety information and operating instructions before using your vehicle.
- This vehicle is designed for use on grass, asphalt and other hard surfaces, on flat terrain and hills, by children 3 years of age and older.
- Please note that the front wheel of the vehicle can lift slightly off the ground during use, especially if the vehicle is driven forward in high speed from a stopped position. This is a normal occurrence and is not cause for alarm. The vehicle will not tip. The rear wheel is designed to act as a stabilizer by restricting front wheel lift, preventing the vehicle from tipping. To prevent front wheel lift, teach your child to start the vehicle in low speed and shift to high speed only when already moving forward.
- For safety reasons, your vehicle has been pre-set so that it will operate at low speed. **Your must connect the high speed hook-up to allow operation of the vehicle at high speed.** Please see page 25 for detailed instructions.
- To prevent damaging the motors and gears, teach your child to stop the vehicle before switching direction. Do not tow anything behind the vehicle or overload it. Do not exceed the maximum weight capacity of 65 lbs (30 kg).
- If you have any questions about your Power Wheels® vehicle, please call our toll-free service lines at **1-800-348-0751** from 8 AM to 5 PM (EST) Monday through Friday. Trained customer service representatives are available to take your call in English or French. Habla Español? Si usted tiene alguna pregunta ó necesita asistencia llame gratis **1-800-348-0755** para los Estados Unidos. Tenemos representantes que hablan español para atender su llamada.
- For your convenience, Power Wheels® maintains an Authorized Service Center Network with more than 400 authorized service centers nationwide. Our authorized service centers will repair or replace parts under warranty at no extra charge, and can perform non-warranty repairs for a minimal charge. Please see the Authorized Service Center list beginning on page 29 to find the authorized service center nearest you, or call **1-800-348-0751**.
- Please complete and return the enclosed Registration Card today, or call **1-800-348-0751** to register your vehicle by phone.

 **WARNING**

- Children can be harmed by small parts, sharp edges and sharp points in the vehicle's unassembled state, or by electrical items. Care should be taken in unpacking and assembly of the vehicle. Children should not handle parts, including the batteries, or help in assembly of the vehicle.
- Keep small parts and plastic bags out of children's reach. Dispose of plastic bags properly.
- Adult supervision is required. Children do not have the judgement necessary to avoid many accidents. Be sure that children operating this vehicle can do so safely and that they are supervised at all times.
- Never use near steps, driveways, steep inclines, roadways, alleys, swimming pool areas or other bodies of water.
- Always wear shoes or sneakers when operating this vehicle.
- Never allow more than one rider.
- The rider should sit on the seat when the vehicle is in operation.
- Never alter this vehicle or its electrical system in any way. Alterations could cause a fire resulting in injury and could also ruin the electrical system.
- **Hot** motors. Handle carefully.
- Use of the wrong type of batteries or charger could cause a fire or explosion, resulting in serious injury.
- Use of Power Wheels® components in products other than Power Wheels® vehicles could cause overheating, fire or explosion.
- The batteries must be handled by adults only. The batteries are heavy and contain sulfuric acid (electrolyte). Dropping the batteries could result in serious injury.
- Never lift or carry the batteries by the wires or connectors. This can damage the batteries and possibly cause a fire resulting in injury. Lift and carry the batteries by the cases only.
- Read the cautions on the back panel of the batteries.
- Never allow children to charge the batteries. Battery charging must be done by adults only. A child could be injured by the electricity involved in charging the batteries.
- Examine the batteries, charger and their connectors for excessive wear or damage each time you charge the batteries. If damage or excessive wear is detected, do not use the vehicle until you have replaced the worn or damaged part as it could possibly cause a fire resulting in injury.

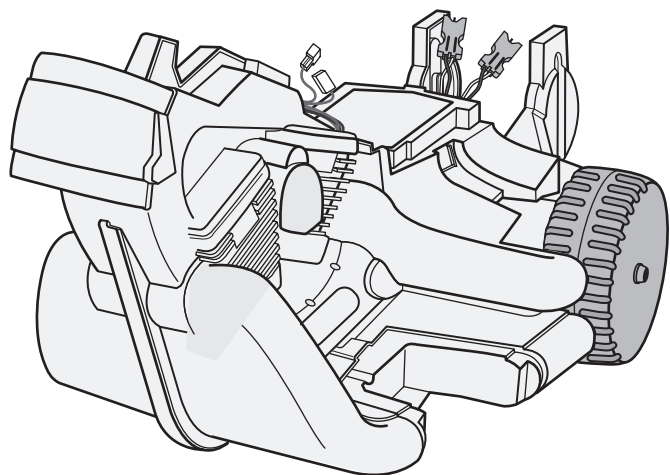
 **CAUTION**

- This product contains small parts. Adult assembly is required.
- Use the charger in dry locations only.

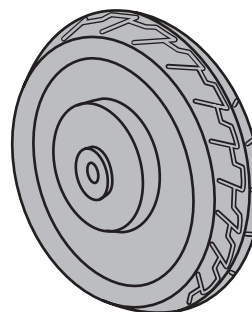
C

Parts

- If you experience a problem with this product, or are missing a part, please call us at **1-800-348-0751**, rather than return this product to the store.
- Please identify all parts before assembly and save all packaging material until assembly is complete to ensure that no parts are discarded.
- Metal parts have been coated with a lubricant to protect them during shipment. Wipe all metal parts with a paper towel to remove any excess lubricant.



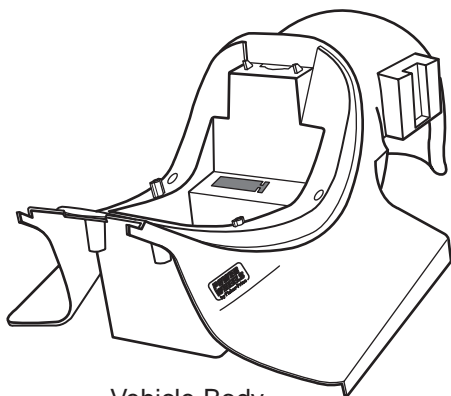
Vehicle Frame



Wheel - 2



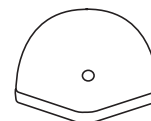
Wheel Axle - 2



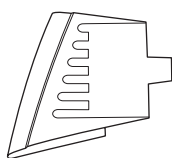
Vehicle Body



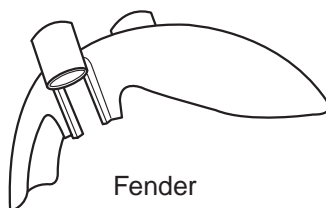
Fork Axle



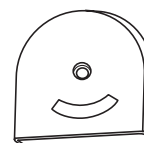
Steering Stop



Left Footboard



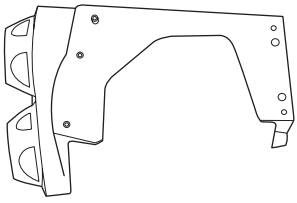
Fender



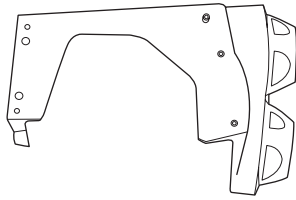
Steering Bushing - 2

Parts

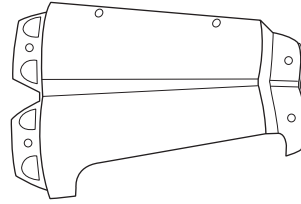
Exhaust Pipe Set



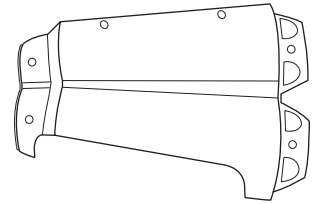
Left - Inner Half



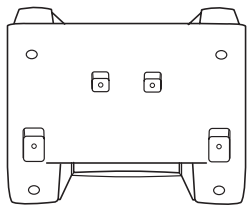
Right - Inner Half



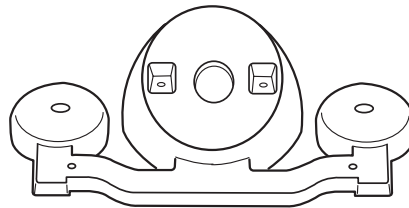
Right - Outer Half



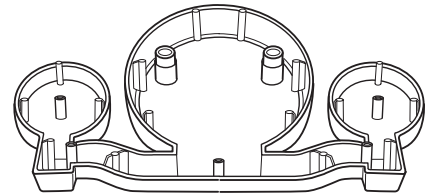
Left - Outer Half



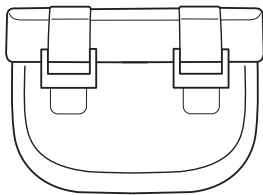
Front Fork



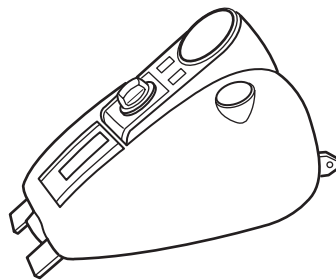
Headlight - Rear Half



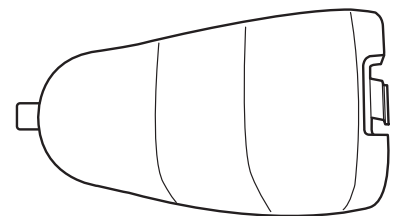
Headlight - Front Half



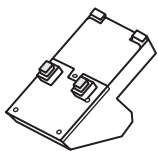
Saddlebag - 2



Gas Tank



Seat



Soundbox

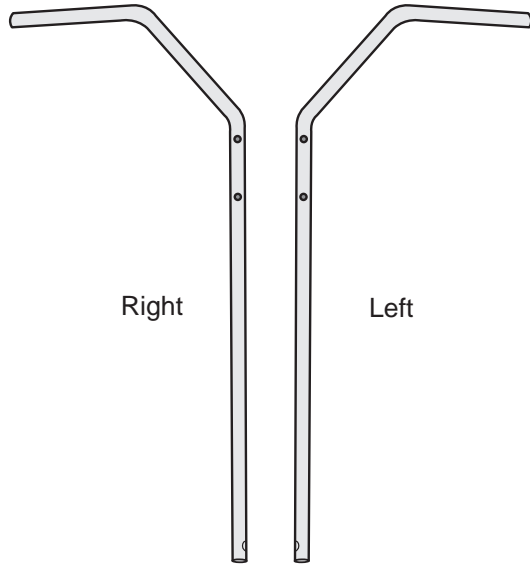


Battery Retainer

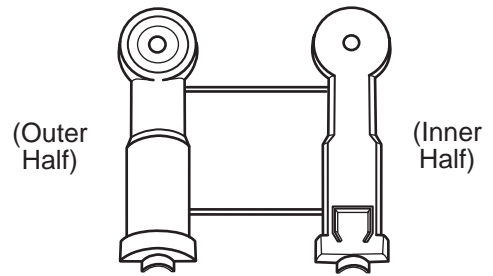


Fork Cover

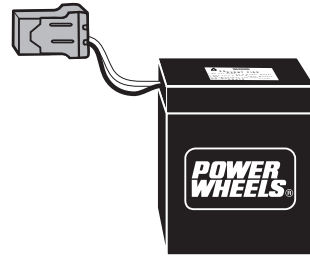
Parts



Handlebar Set



Shock Set - 2



6 Volt Battery - 2



Hex Bushing - 4



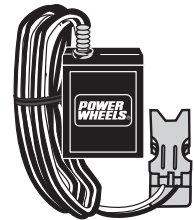
Round Bushing - 2



Axle Bushing - 2



Handgrips - 2

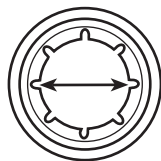


12-Volt Charger

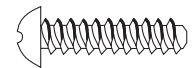
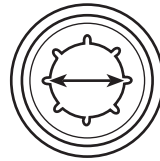
Not Shown: Label Sheet - 2
Bubble Cap Emblem



.437 (Large Diameter) Retainer - 6*



.354 (Small Diameter) Retainer - 3*



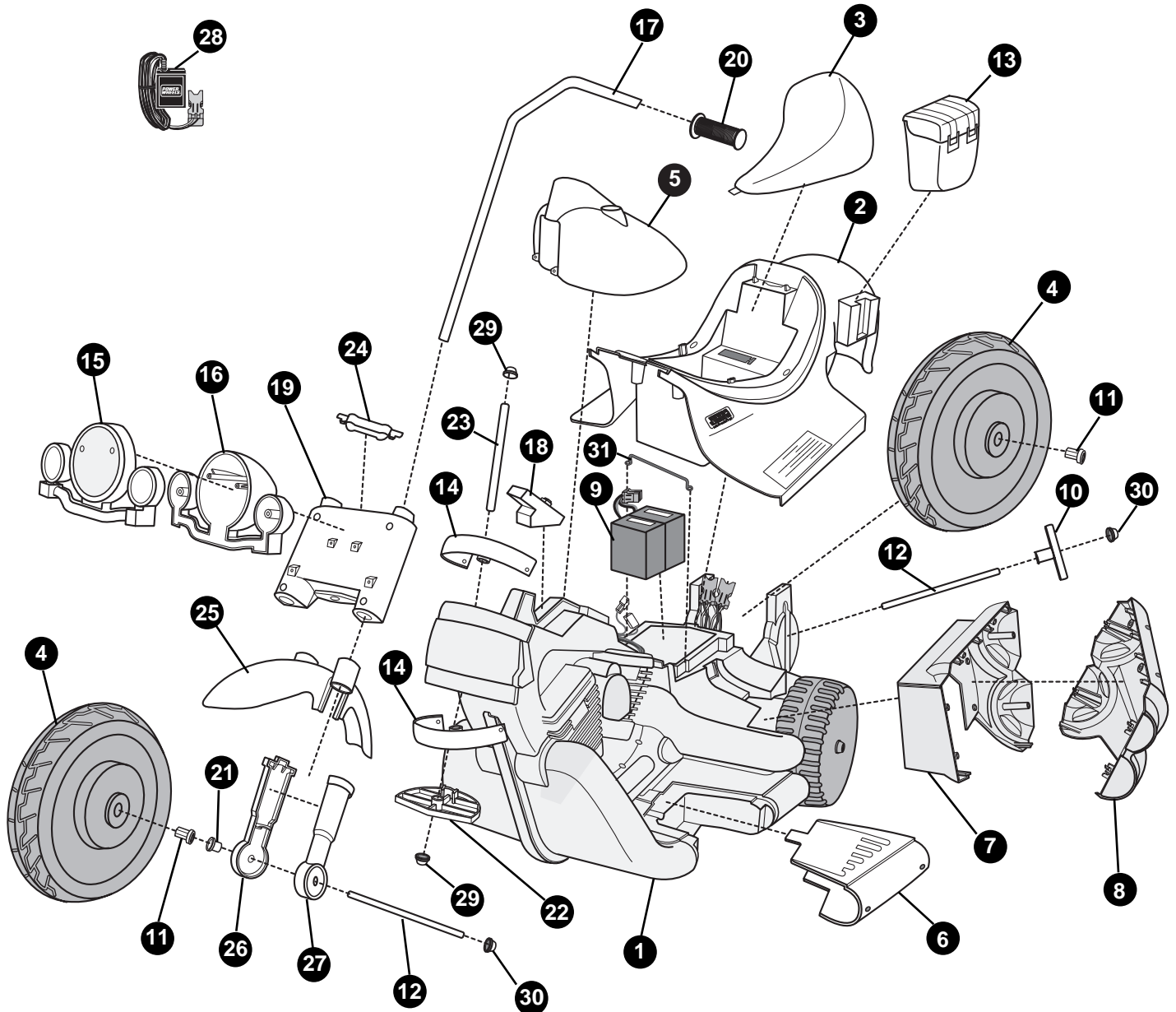
#8 x 3/4" Plastite Screw - 54

All Shown Actual Size

*For your convenience, two extra .437 (large diameter) retainers and one extra .354 (small diameter) retainer have been included.

D

Parts Diagram



- | | | |
|-----------------------------|----------------------------|----------------------------|
| 1. Vehicle Frame | 13. Saddlebag - 2 | 24. Fork Cover |
| 2. Vehicle Body | 14. Steering Bushing - 2 | 25. Fender |
| 3. Seat | 15. Headlight - Front Half | 26. Shock - Inner Half - 2 |
| 4. Wheel - 2 | 16. Headlight - Rear Half | 27. Shock - Outer Half - 2 |
| 5. Gas Tank | 17. Handlebar - 2 | 28. 12 Volt Charger |
| 6. Left Footboard | (Left Shown) | 29. .354 Retainer - 2 |
| 7. Exhaust - Inner Half - 2 | 18. Sound Box | 30. .437 Retainer - 4 |
| 8. Exhaust - Outer Half - 2 | 19. Front Fork | 31. Battery Retainer |
| (Left Shown) | 20. Handgrip - 2 | |
| 9. 6 Volt Battery - 2 | 21. Round Bushing - 2 | Not Shown |
| 10. Axle Bushing - 2 | 22. Steering Stop | 3/4" Plastite Screw - 54 |
| 11. Hex Bushing - 4 | 23. Fork Axle | Right Handlebar |
| 12. Wheel Axle - 2 | | Right Exhaust Pipe Set |
| | | Label Sheet - 2 |
| | | Bubble Cap Emblem |

**WARNING**

- The batteries must be handled by adults only. The batteries are heavy and contain sulfuric acid (electrolyte). Dropping the batteries could result in serious injury.
- Never allow children to charge the batteries. Battery charging must be done by adults only. A child could be injured by the electricity involved in charging the batteries.
- Use of the wrong type batteries or charger could cause a fire or explosion, resulting in serious injury.
- Use of Power Wheels® components in products other than Power Wheels® vehicles could cause overheating, fire or explosion.
- Read the cautions on the back panel of the batteries.
- Never lift or carry the batteries by the wires or connectors. This can damage the batteries and possibly cause a fire. Lift and carry the batteries by the cases only.
- Examine the batteries, charger and their connectors for excessive wear or damage each time you charge the batteries. If damage or excessive wear is detected, do not use the charger or the vehicle until you have replaced the worn or damaged part.
- Never alter this vehicle or its electrical system in any way. Alterations could cause a fire resulting in injury and could also ruin the electrical system.

**CAUTION**

Use the charger in dry locations only.

Important Notes

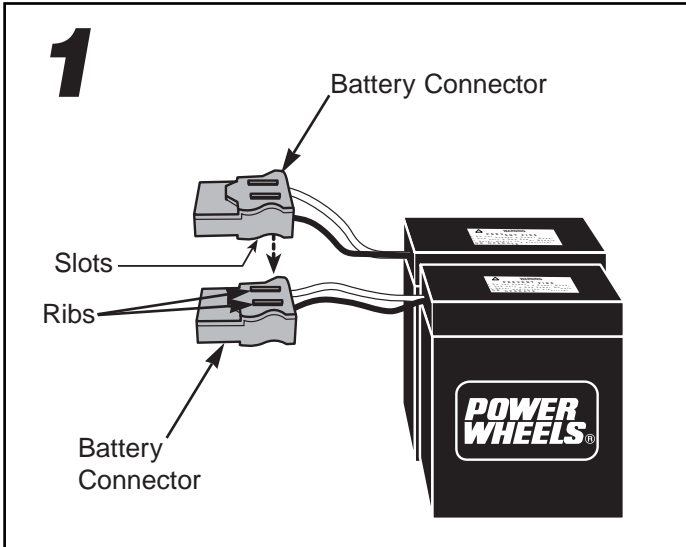
- **Your new batteries must be charged for at least 18 hours before you use them in your vehicle for the first time.**
- We recommend that you start charging your batteries before beginning assembly of your new vehicle.
- The batteries must be upright while charging.
- The charger is not a toy.
- Do not short circuit the batteries.
- You do not need to remove the batteries from your vehicle to recharge them.
- Before charging the batteries, examine the battery cases for cracks and other damage which may cause sulfuric acid (electrolyte) to leak during the charging process. If damage is detected, do not charge the batteries or use them in your vehicle. Battery acid is very corrosive and can cause severe damage to surfaces it contacts.
- Do not charge the batteries on a surface which could be damaged by the acid contained inside the batteries. Take precautions to protect the surface on which you charge your batteries.
- Use only a Power Wheels® 12 volt charger with A-style connector (120 VAC 60 Hz 28W with an output of 12 VDC 1200mA) to charge your Power Wheels® 6 volt batteries.
- **When replacing the 6 volt batteries, use only Power Wheels® 6 volt batteries with A-style connectors and built-in thermal fuses. Power Wheels® 6 volt batteries with external thermal fuses will not fit in the battery compartment of this vehicle.**

About Thermal Fuses

Your Power Wheels 6 volt batteries are equipped with built-in thermal fuses. The thermal fuses are self-resetting safety devices which automatically “trip” and shut down operation of the vehicle if the vehicle is overloaded or the driving conditions too severe. Once a fuse has “tripped”, it will automatically reset itself after approximately 25 seconds and allow the vehicle to resume normal operations. To avoid repeated automatic shutdowns, do not overload the vehicle by exceeding the 65 lbs. maximum weight capacity or by towing anything behind the vehicle. Avoid severe driving conditions, such as driving up very steep slopes or running into fixed objects, which can cause the wheels to stop spinning while power is still being supplied to the motors and make sure your child stops the vehicle before switching speeds or direction.

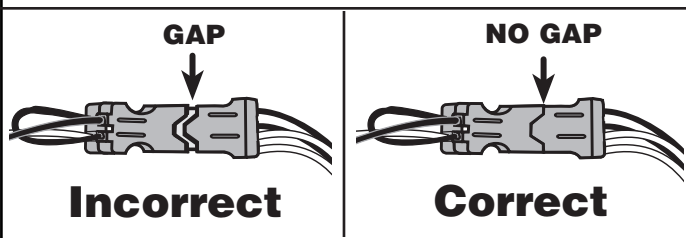
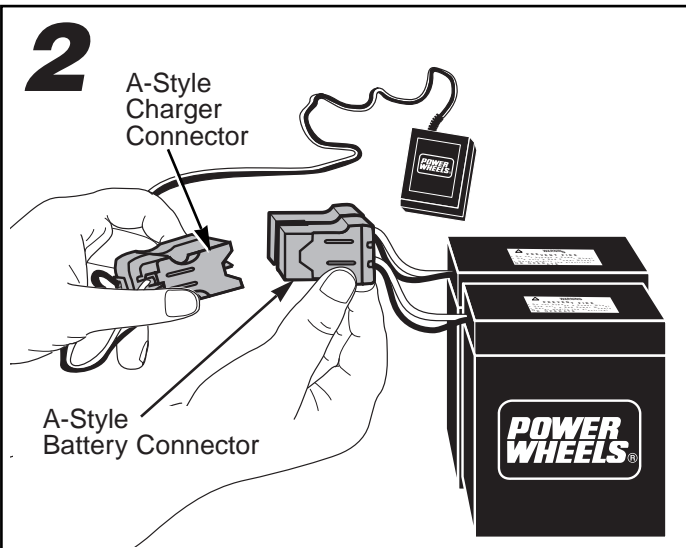
If a thermal fuse in a battery continually trips under normal driving conditions, please contact your local Power Wheels® Authorized Service Center. For the location of the Authorized Service Center nearest to you, see page 29.

Battery Charging

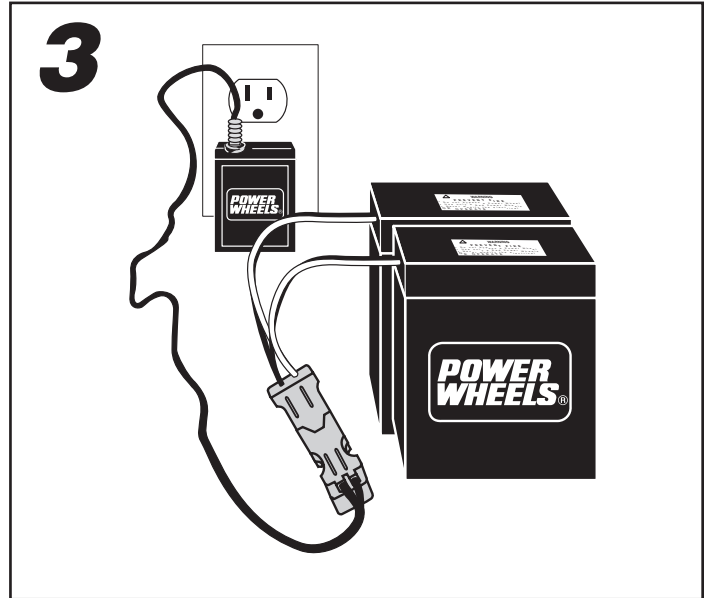


- Align the ribs on the top of one of the battery connectors with the slots on the bottom of the other battery connector.
- Stack the two battery connectors and press to join.

Note: Make sure that the two connectors on the charger are also stacked and joined.



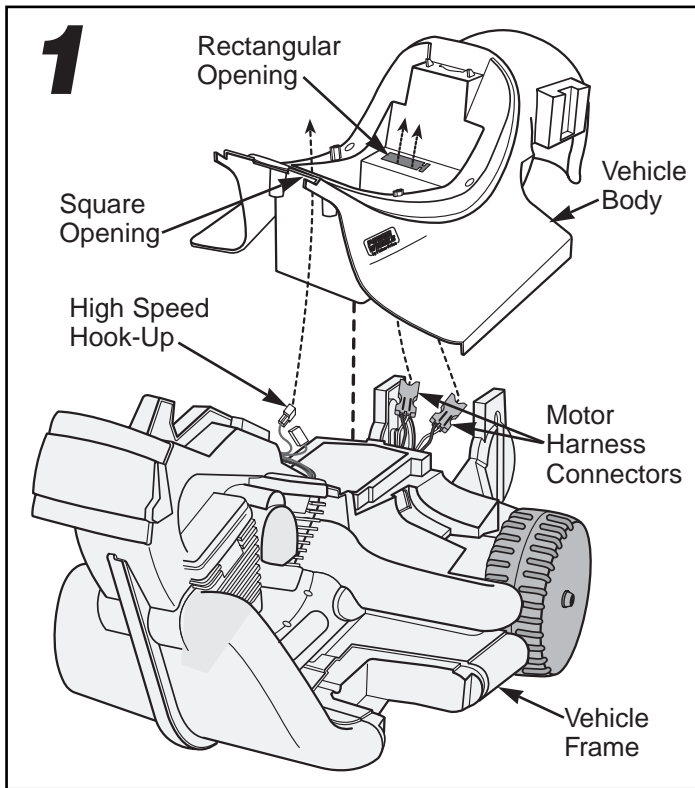
- Plug the charger and battery connectors together. Push firmly to snap the two connectors together.



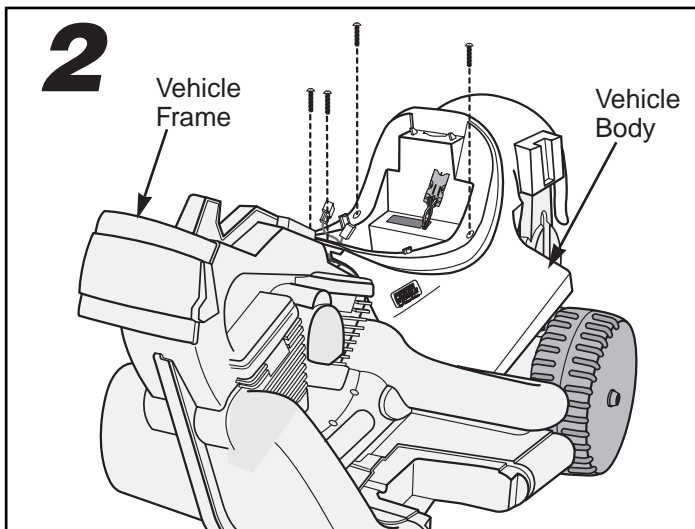
- Plug the charger into a standard 120 volt wall outlet.

Note: If power flow to the wall outlet is controlled by a switch, make sure the switch is "ON".

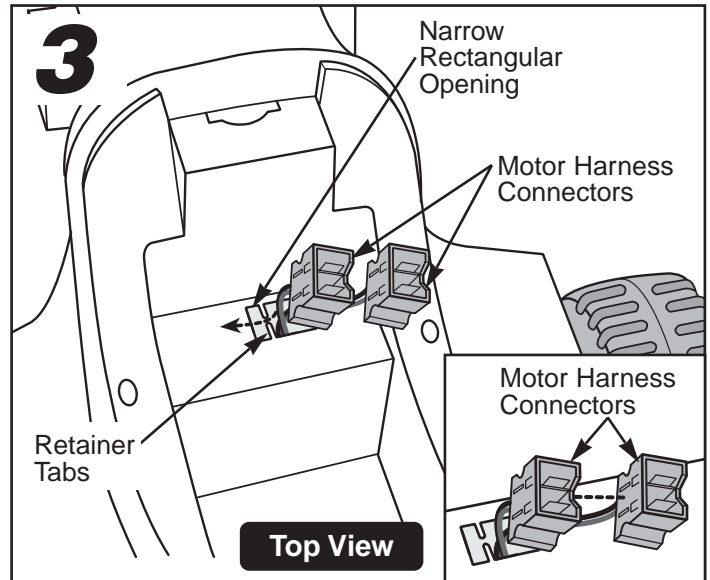
- **Before first time use, charge the batteries for at least 18 hours.** Never charge the batteries longer than 30 hours.
- **Recharge the batteries for at least 14 hours** after each use of your vehicle. Do not charge the batteries longer than 30 hours.
- Once the batteries are charged, disconnect the charger connector from the battery connector. Unplug the charger from the wall outlet. The batteries are now charged and are ready to be installed in your vehicle.



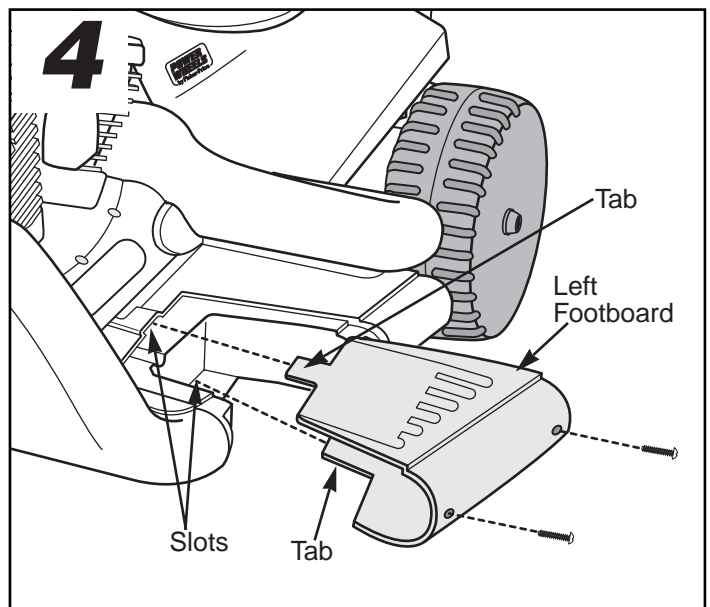
- Pull firmly to separate the two black motor harness connectors near the rear of the vehicle frame.
- Position the vehicle body on top of the vehicle frame.
- Fit each motor harness connector up through the rectangular opening in the vehicle body, one at a time.
- Fit the two halves of the high speed hook-up connector through the square opening near the front of the vehicle body.



- Insert four screws through the vehicle body and into the vehicle frame. Make sure the holes in the vehicle body and frame are aligned.
- Tighten the screws using a Phillips screwdriver. Do not over-tighten.



- Fit the motor harness wires through the retainer tabs so that all four motor harness wires are contained in the narrow rectangular opening.
- Fit the tabs on the top of one motor harness connector into the slots in the bottom of the other motor harness connector and squeeze firmly to re-join the two motor harness connectors (see inset).

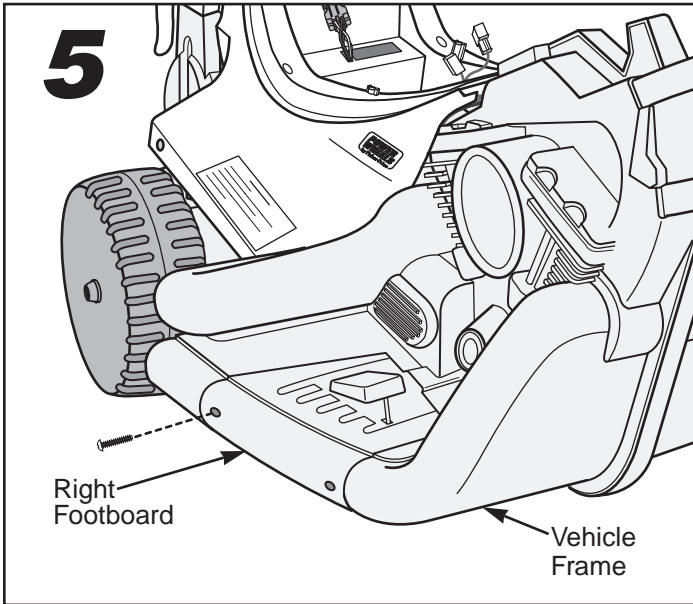


- Fit the tabs on the left footboard into the slots in the left side of the vehicle frame. **Make sure both tabs are in the slots.**

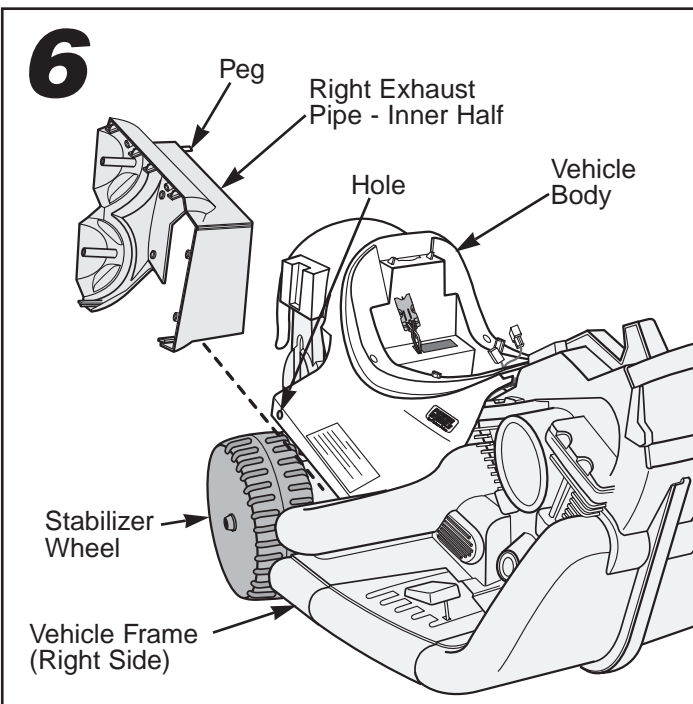
Helpful Hint! You may need to squeeze the left footboard in order to align the tabs with the slots.

- Insert two screws into the left footboard as shown.
- Tighten the screws using a Phillip screwdriver. Do not over-tighten.

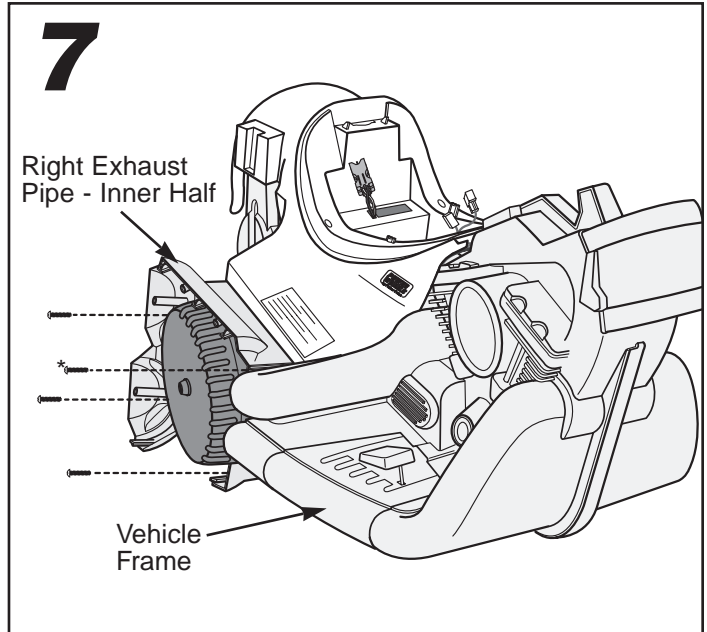
Assembly



- The right footboard was inserted in the vehicle frame and secured by one screw at the factory.
- Insert a screw into the open hole in the right footboard.
- Tighten the screw with a Phillips screwdriver. Do not over-tighten.



- Separate the exhaust set pieces. Note the R (right side) and L (left side) markings on the inside of each piece.
- Fit the inner half of the right exhaust pipe (R) over the stabilizer wheel on the right side of the vehicle. Make sure the peg on the inner exhaust pipe fits into the hole in the vehicle body.

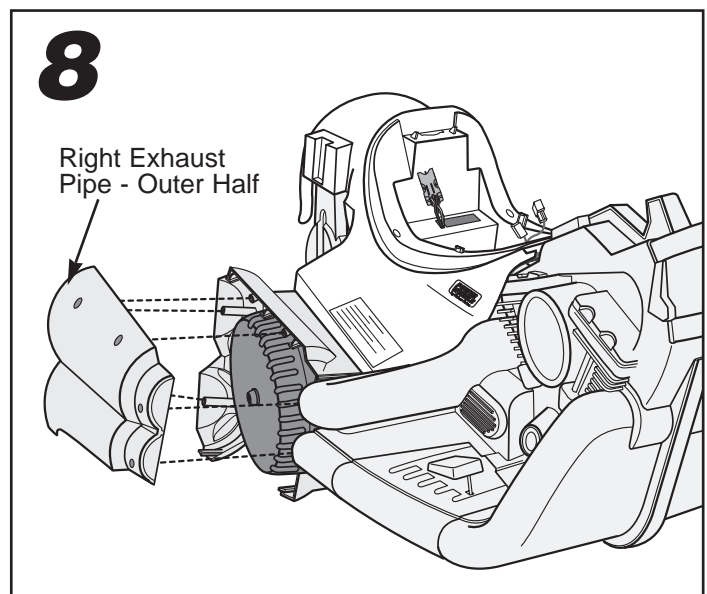


Helpful Hint: Use a long shafted screwdriver to complete assembly steps 7 and 8.

- Align the holes in the inner half of the right exhaust pipe with the holes in the vehicle frame.
- Insert four screws through the inner half of the right exhaust pipe and into the vehicle frame.

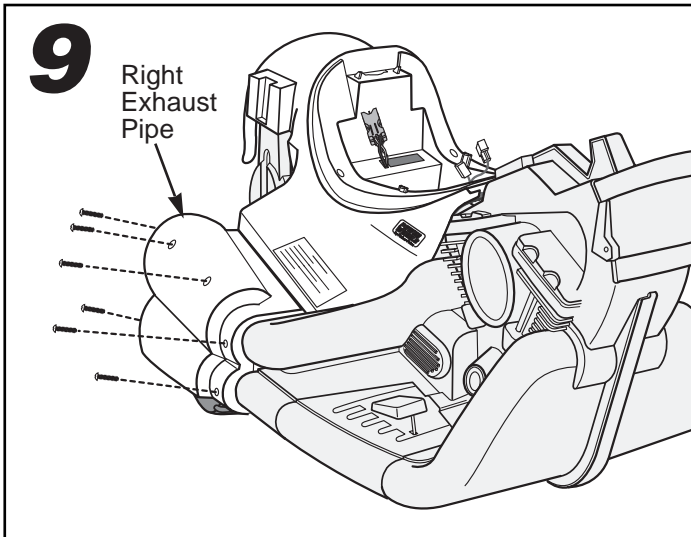
Note: The screw marked with an asterisk (*) in the illustration above must go through the hole in the inner half of the exhaust pipe and the vehicle body and into the vehicle frame. Make sure all the holes are properly aligned.

- Tighten the screws using a Phillips screwdriver. Do not over-tighten.

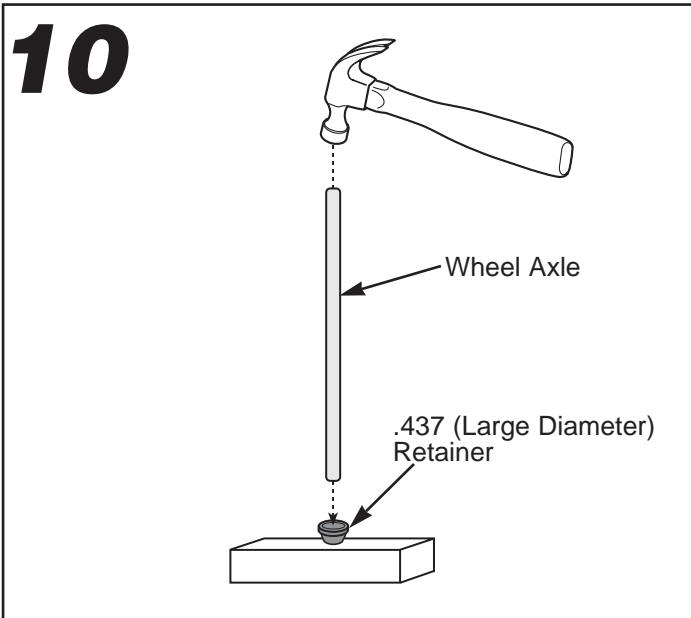


- Fit the outer half of the right exhaust pipe (R) to the inner half of the right exhaust pipe.

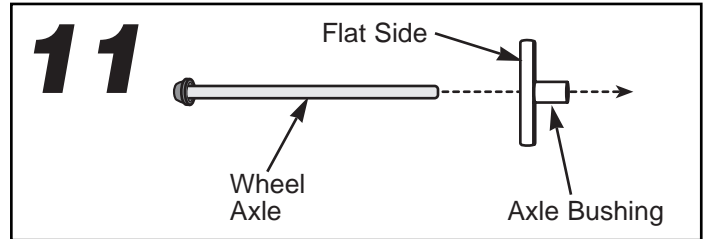
Assembly



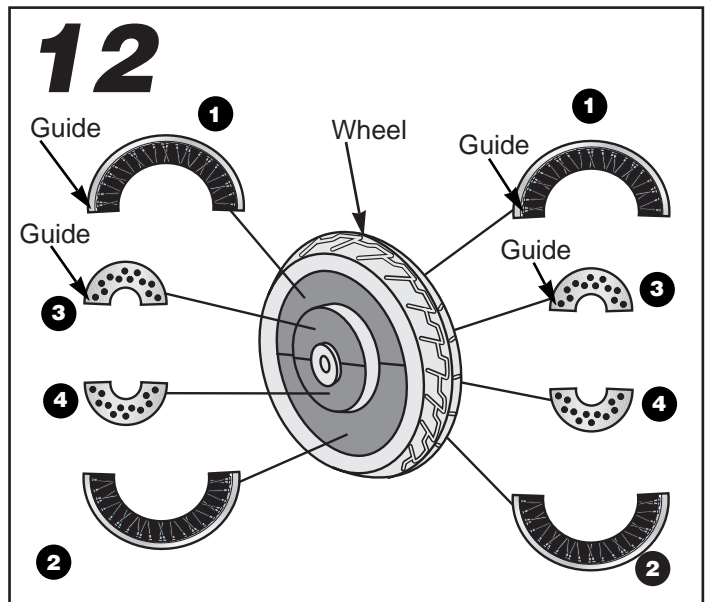
- With the screw holes aligned, insert six screws to join the two halves of the right exhaust pipe.
- Tighten the screws using a Phillips screwdriver. Do not over-tighten.
- Repeat steps 6 through 9 to assemble the left exhaust pipe (L) to the left side of the vehicle.



- Separate the fork axle from the two wheel axles. (The fork axle is shorter than the wheels axles.) Set the fork axle aside.
- Place a .437 (large diameter) retainer on a flat surface, inside up.
- Fit the end of a wheel axle into the retainer.
- Tap the opposite end of the wheel axle with a hammer to secure the retainer on the axle. Pull on the retainer to make sure it is secure.
- Repeat this procedure to assemble one .437 (large diameter) retainer to one end of the other wheel axle.
- Set one of the wheel axles aside for use later in assembly.

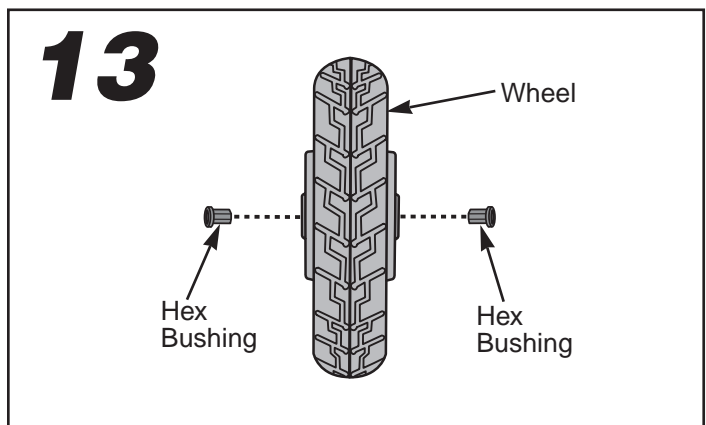


- Slide an axle bushing (flat side first) on a wheel axle.



- Before applying labels to the wheels, wipe each wheel with a clean, dry cloth to make sure it is free of dirt and oils. Make sure your hands are clean.
- Apply labels to both sides of each wheel as shown in the illustration.

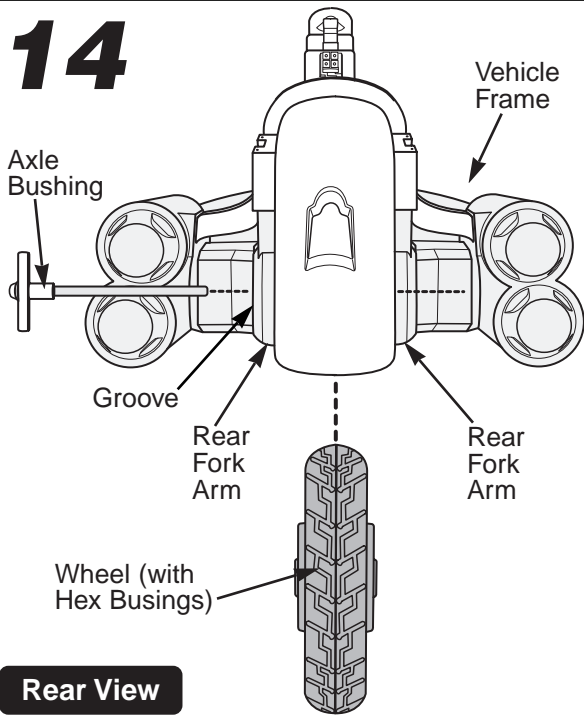
Important! Labels 1 and 2 are designed to slightly overlap; and labels 3 and 4 are designed to slightly overlap. For each wheel, apply label 1 before applying label 2. Align the edge of label 2 with the guide marks on label 1. Apply label 3 before applying label 4. Align the edge of label 4 with the guide marks on label 3.



- Fit two hex bushings into the center hole in a wheel.

Assembly

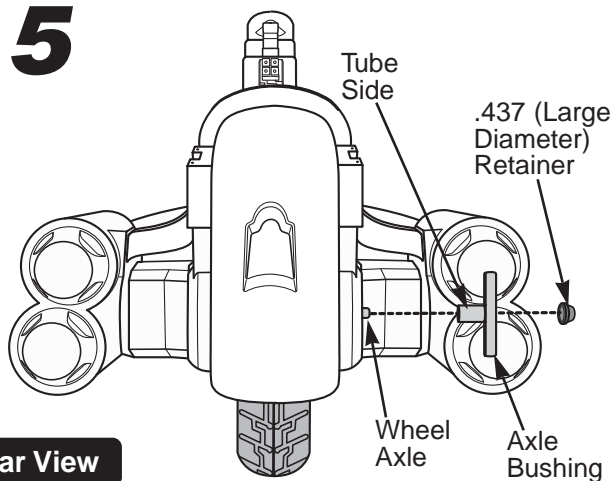
14



Rear View

- Position the vehicle so that the back is facing you.
- While holding the hex bushings in place, position the wheel between the rear fork arms of the vehicle frame.
- Slide the wheel axle (with axle bushing) through one rear fork arm, through the wheel (with hex bushings) and out through the other rear fork arm. Make sure the axle bushing fits into the groove in the fork arm.

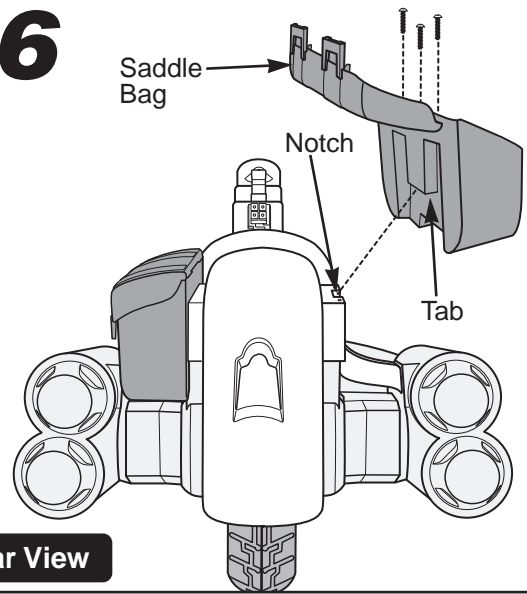
15



Rear View

- Slide an axle bushing (tube side first) onto the end of the wheel axle. Make sure the flat end of the axle bushing fits into the groove in the fork arm.
- Fit a .437 (large diameter) retainer on the end of the axle.
- Support the opposite end of the axle and tap the .437 retainer with a hammer to secure it on the end of the rear axle.
- Pull on the .437 retainer to make sure the rear wheel assembly is secure.

16



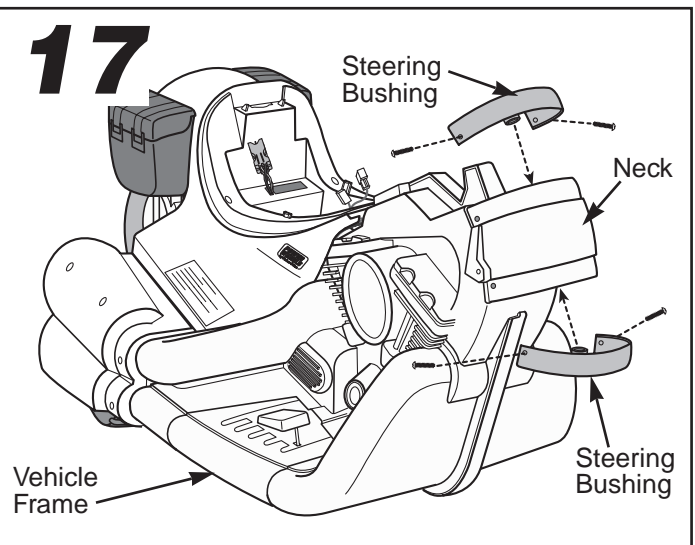
Rear View

- Lift the pretend buckles on a saddle bag to open the saddle bag.
- Fit the tab on the back surface of the saddle bag into the notch on one side of the rear fender.
- Insert three screws through the holes on the inside of the saddle bag.

Note! The lower screw travels through holes in the saddle bag and vehicle body, and screws into the vehicle frame. Make sure all the screw holes are aligned.

- Tighten the screws using a Phillips screwdriver. Do not over-tighten.
- Repeat this step to assemble the other saddle bag to the other side of the vehicle.

17



- Position the vehicle frame so that the front faces you.
- Fit a steering bushing on the neck of the vehicle frame.
- Fit the other steering bushing under the neck.
- Insert two screws through the side of each steering bushing and into the neck.
- Tighten all four screws using a Phillips screwdriver. Do not over-tighten.

13

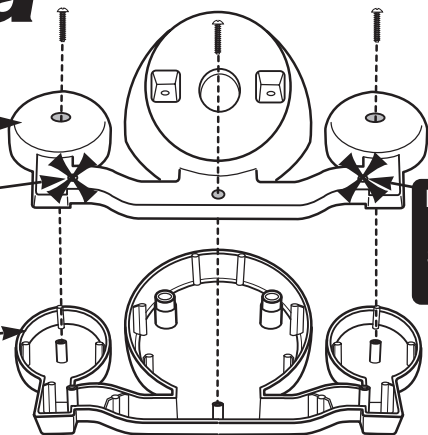
Assembly

18a

Headlight Assembly - Rear Half

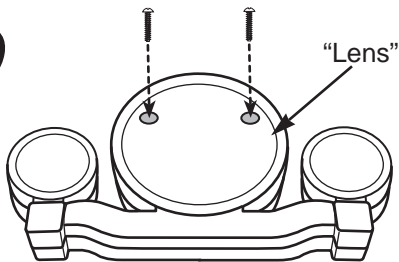
DO NOT INSERT SCREW HERE

Headlight Assembly - Front Half



DO NOT INSERT SCREW HERE

18b

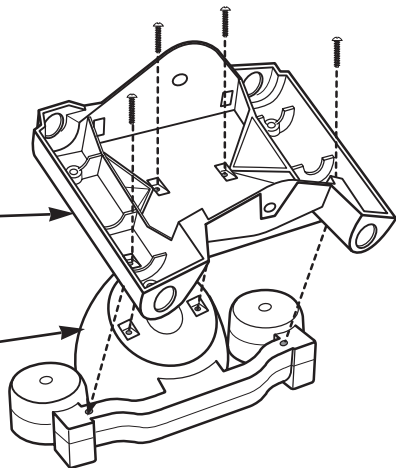


- Fit the two halves of the headlight assembly together.
- Insert three screws into the rear of the headlight “housing”, as shown (18a).
- Turn the headlight assembly upright so the headlight “lens” faces you. Insert two screws into the front of the headlight “lens” (18b).
- Tighten all five screws using a Phillips screwdriver. Do not over-tighten.

19

Front Fork

Headlight Assembly

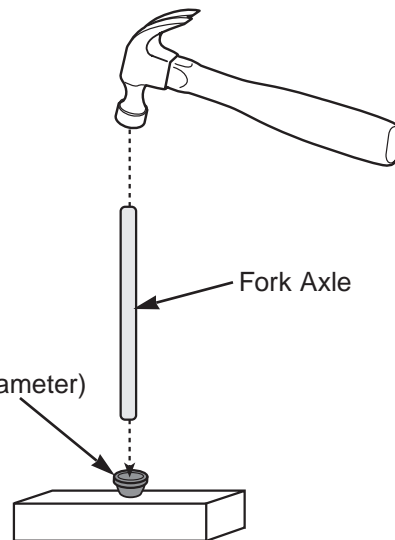


- Position the headlight assembly face “lens” side down on a flat surface.
- Fit the front fork onto the back of the headlight assembly as shown.
- Insert four screws through the front fork and into the headlight assembly.
- Tighten the screws with a Phillips screwdriver. Do not over-tighten.

20

.354 (Small Diameter) Retainer

Fork Axle



- Place a .354 (small diameter) retainer on a flat surface, inside up.
- Fit the end of the fork axle into the retainer.
- Tap the opposite end of the fork axle with a hammer to secure the retainer on the axle. Pull on the retainer to make sure it is securely assembled.

21

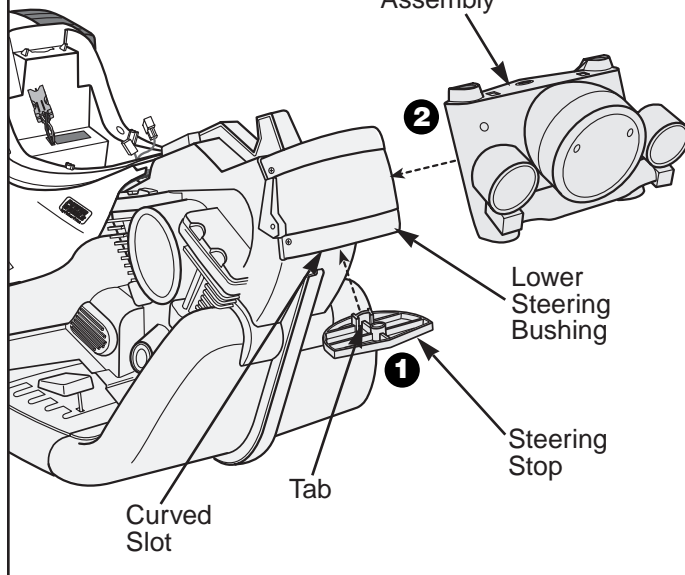
Headlight/Front Fork Assembly

Lower Steering Bushing

Steering Stop

Curved Slot

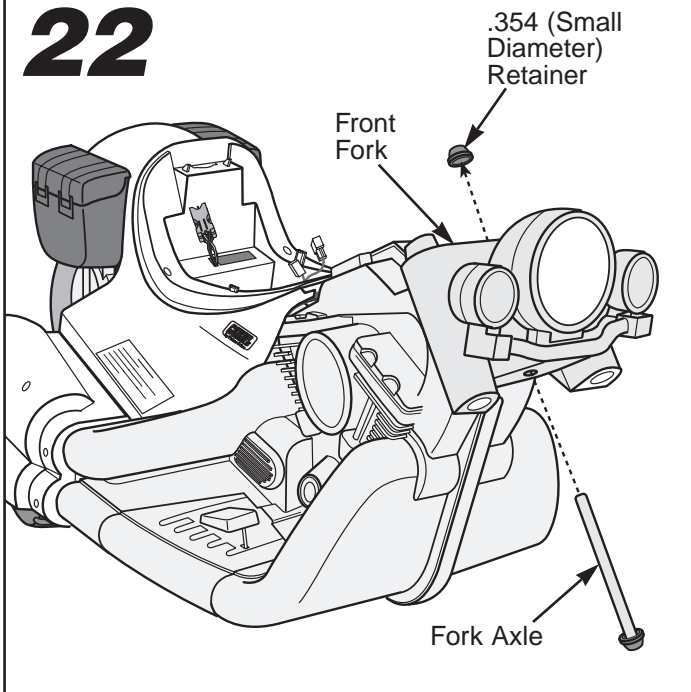
Tab



- Fit the tab on the steering stop into the curved slot in the lower steering bushing ①.
- Hold the steering stop in place.
- Slide the headlight/front fork assembly on the neck of the vehicle frame and over the steering stop ②.

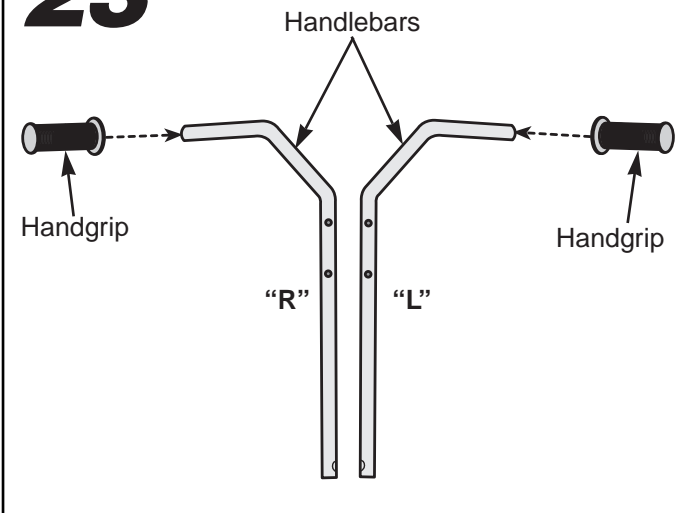
Assembly

22



- Slide the fork axle up into the bottom of the front fork, through the neck and steering stop, and out the top of the front fork.
- Fit a .354 (small diameter) retainer on the end of the fork axle.
- Support the fork axle and tap the retainer with a hammer to secure it on the end of the axle.
- Pull on the .354 retainer to make sure it is secure on the fork axle.

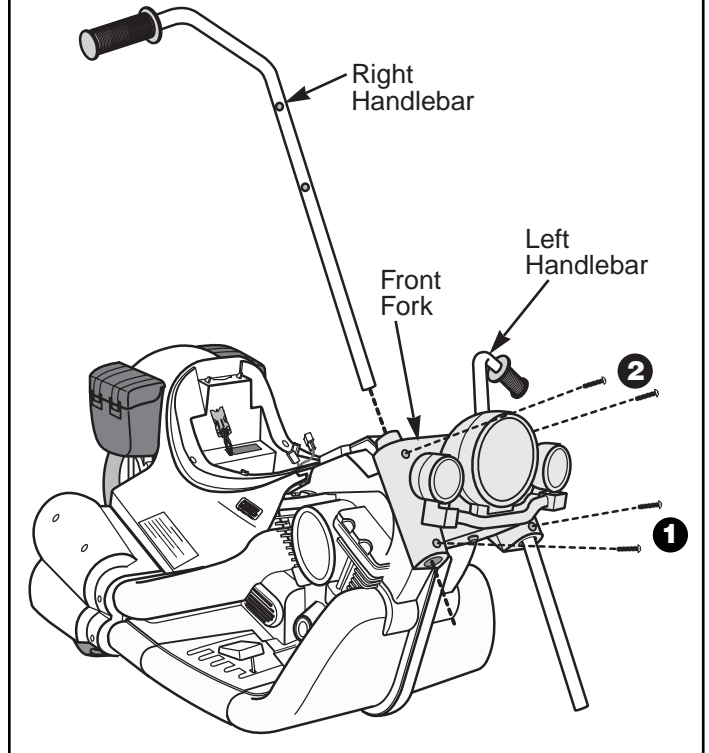
23



- Fit a handgrip on the end of each handlebar.
- Note the R (right) and L (left) markings on the handlebars.

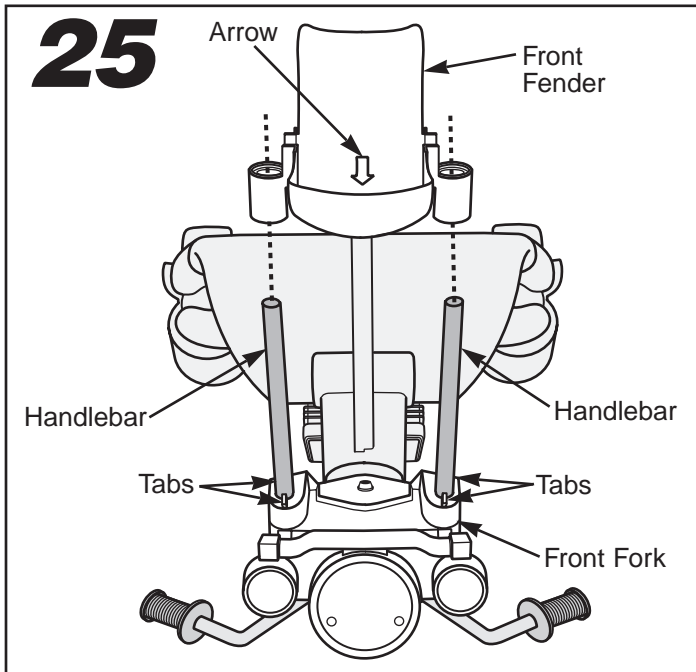
Note: If it is difficult to slide the handgrips onto the handlebars, moisten the inside of the handgrips with water.

24

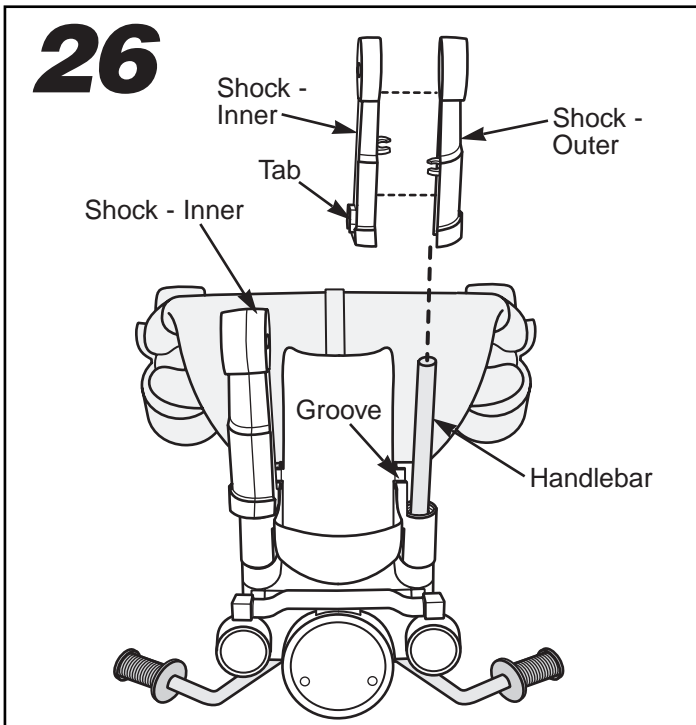


- Slide the right and left handlebars through the holes in the front fork.
- Align the screw holes in each handlebar with the screw holes in the face of the front fork.
- Insert a screw through the front fork and into the **lower hole** in each handlebar **1**. Tighten the screws with a Phillips screwdriver. Do not over-tighten.
- Insert a screw through the front fork and into the upper hole in each handlebar **2**. Tighten the screws with a Phillips screwdriver. Do not over-tighten.
- Tighten the screws using a Phillips screwdriver. Do not over-tighten.

Assembly



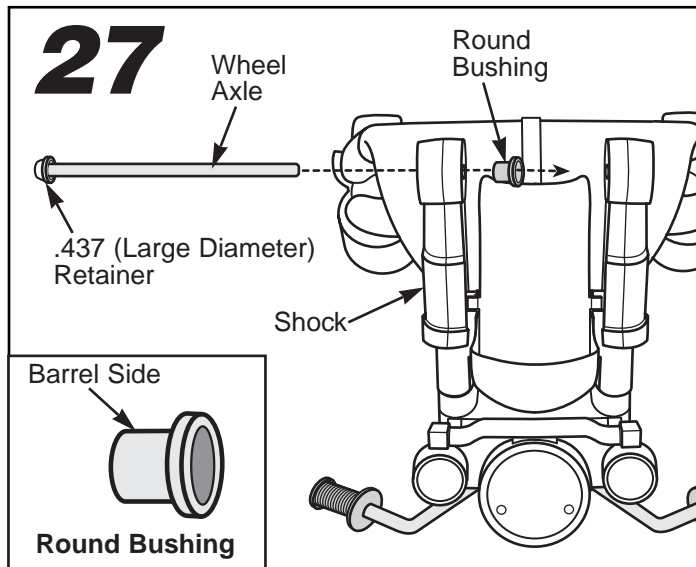
- Position the vehicle upside down.
- Note the arrow on the underside of the front fender.
- Position the front fender so that the arrow points towards the front of the vehicle. Slide the fender onto the ends of the handlebars. Make sure the pegs on the fender slide over the tabs on the front fork.



- Using safety scissors, separate the shock set pieces from the plastic connectors. Dispose of the plastic connectors properly.
- Fit and hold an inner and outer shock half together.
- While holding the shock together, fit it onto the end of a handlebar. Push firmly to slide the shock onto the

handlebar making sure that the tab on the inner shock half fits into the groove in the fender.

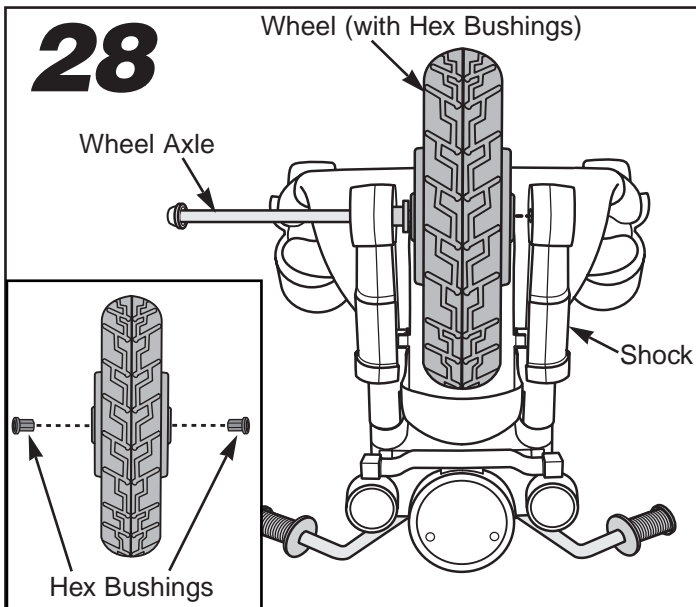
- Repeat this procedure to slide the remaining shock on the other handlebar.



- Being careful to keep the shocks correctly positioned, align the hole in a shock with the hole in the handlebar. Slide the remaining wheel axle with .437 retainer (assembled in step 10) through one shock.

Helpful Hint: If the hole in the shock and handlebar do not align, the front fender is not properly seated on the front fork. Reposition the front fender to align the holes.

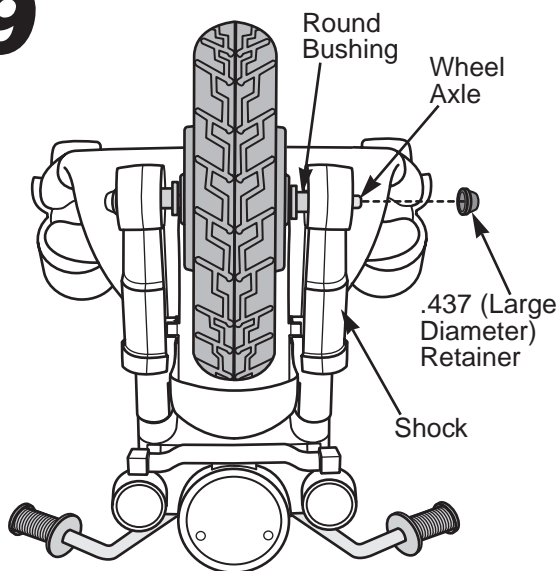
- Fit a round bushing, barrel side first, onto the end of the axle.



- Fit two hex bushings into the center hole in the remaining wheel (see inset).
- While holding the hex bushings in place, position the wheel between the shocks.
- Continue to slide the wheel axle through the wheel.

Assembly

29

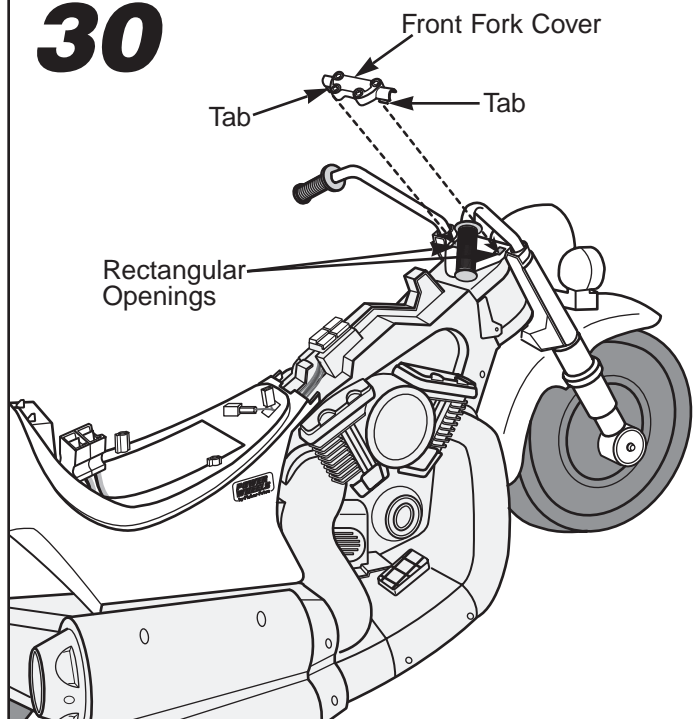


- Fit a round bushing, plate side first, onto the axle.

Helpful Hint: You may need to push the shock outward slightly to fit the round bushing.

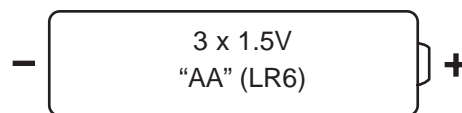
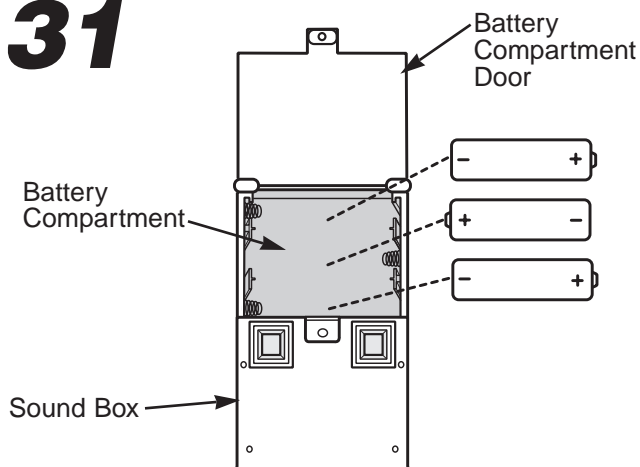
- Continue to slide the axle through the shock.
- Fit a .437 (large diameter) retainer on the end of the axle.
- Support the opposite end of the axle and tap the retainer with a hammer to secure it on the end of the axle.
- Pull on the .437 retainer to make sure the front wheel assembly is secure.

30



- Position the vehicle upright.
- Fit the tabs on the front fork cover into the rectangular openings in the top of the front fork and push firmly to snap the cover to the front fork.

31



SHOWN ACTUAL SIZE

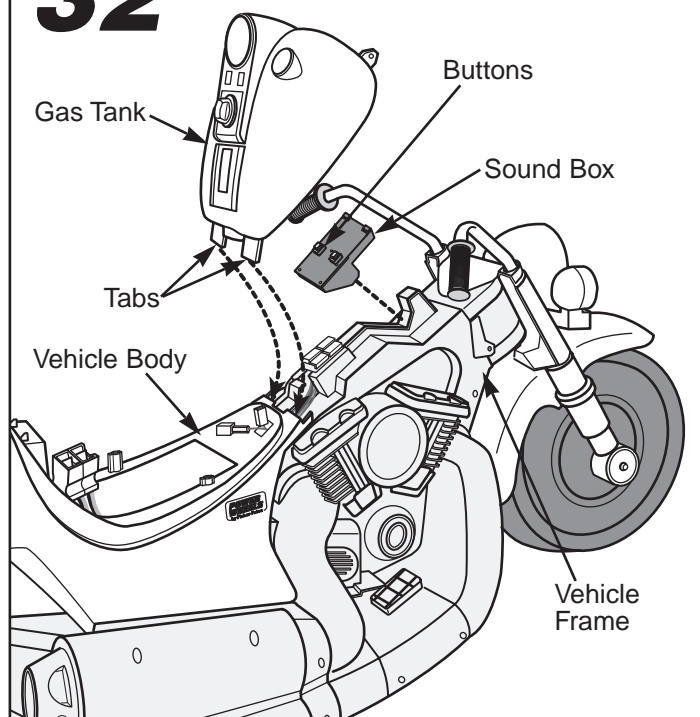
- Loosen the screw in the sound box's battery compartment door using a Phillips screwdriver and open the battery compartment.
- Insert three, size "AA" (LR6) alkaline batteries in the sound box as indicated in the battery compartment.
- Close the battery compartment door and tighten the screw using a Phillips screwdriver. Do not over-tighten. (For longest life, use only alkaline batteries.)

Battery Tips:

- Do not mix old and new batteries.
- Do not mix different types of batteries: alkaline, standard (carbon-zinc) or rechargeable (nickel-cadmium).
- Remove the batteries during long periods of non-use. Always remove exhausted batteries from the sound box. Battery leakage and corrosion can damage the vehicle.
- Never short circuit the battery terminals.
- Non-rechargeable batteries are not to be recharged.
- Only batteries of the same or equivalent type as recommended in these instructions are to be used.
- If removable rechargeable batteries are used, they are only to be charged under adult supervision.
- Rechargeable batteries are to be removed from the sound box before they are charged.
- If you use a battery charger, it should be examined regularly for damage to the cord, plug, enclosure and other parts. Do not use a damaged battery charger until it has been properly repaired.
- When sound from the vehicle becomes faint, or if the sound stops working, it's time to replace the batteries.
- Dispose of batteries safely.

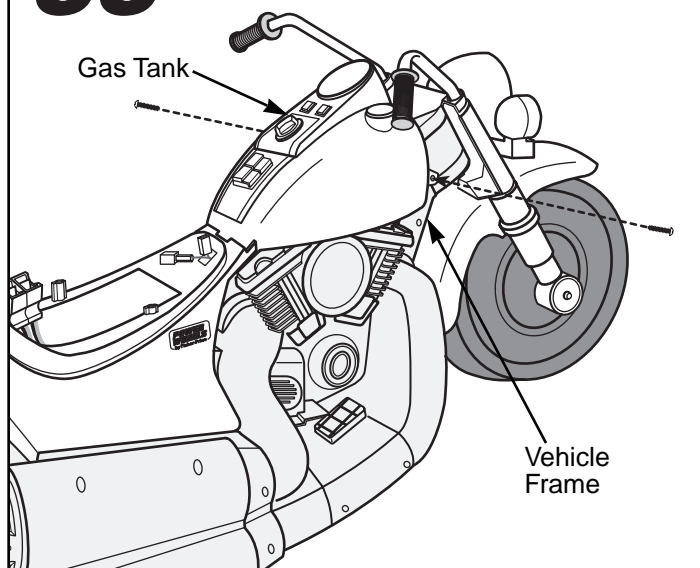
Assembly

32



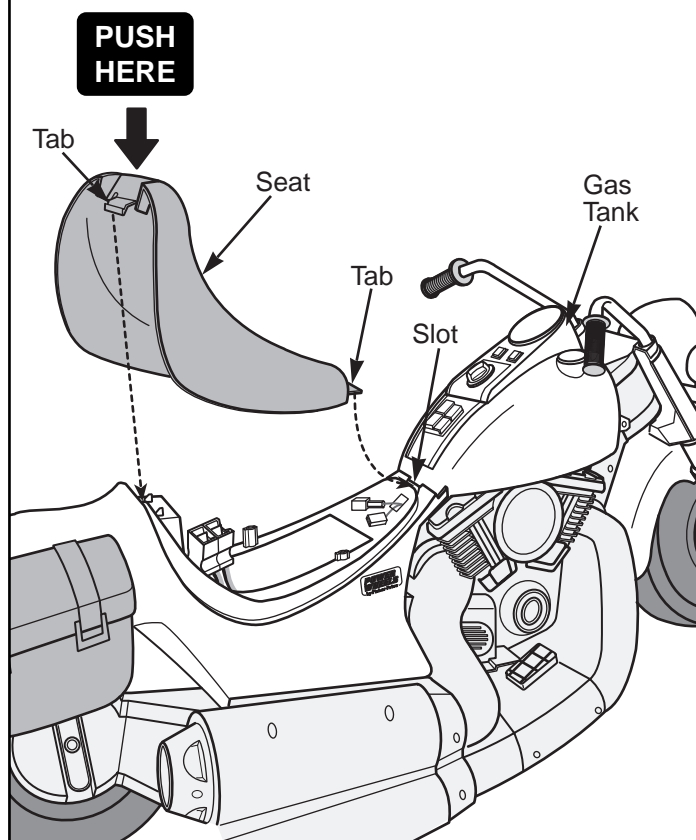
- Balance the sound box on the vehicle body. (The speaker should face down.)
- Fit the tabs at the bottom of the gas tank under the front end of the vehicle body.
- Lower the gas tank on the vehicle frame, making sure that the two small square openings in the gas tank fit over the buttons on the sound box.

33



- Insert a screw through the hole in each side of the gas tank and into the vehicle frame.
- Tighten the screws with a Phillips screwdriver. Do not over-tighten.

34



Note! You may want to install the Power Wheels® 6 volt batteries before assembling the seat. Please see "Battery Installation" on page 21 for detailed instructions.

- Fit the tab on the front of the seat into the slot near the gas tank.
- Push down firmly near the back of the seat to snap it to the vehicle.

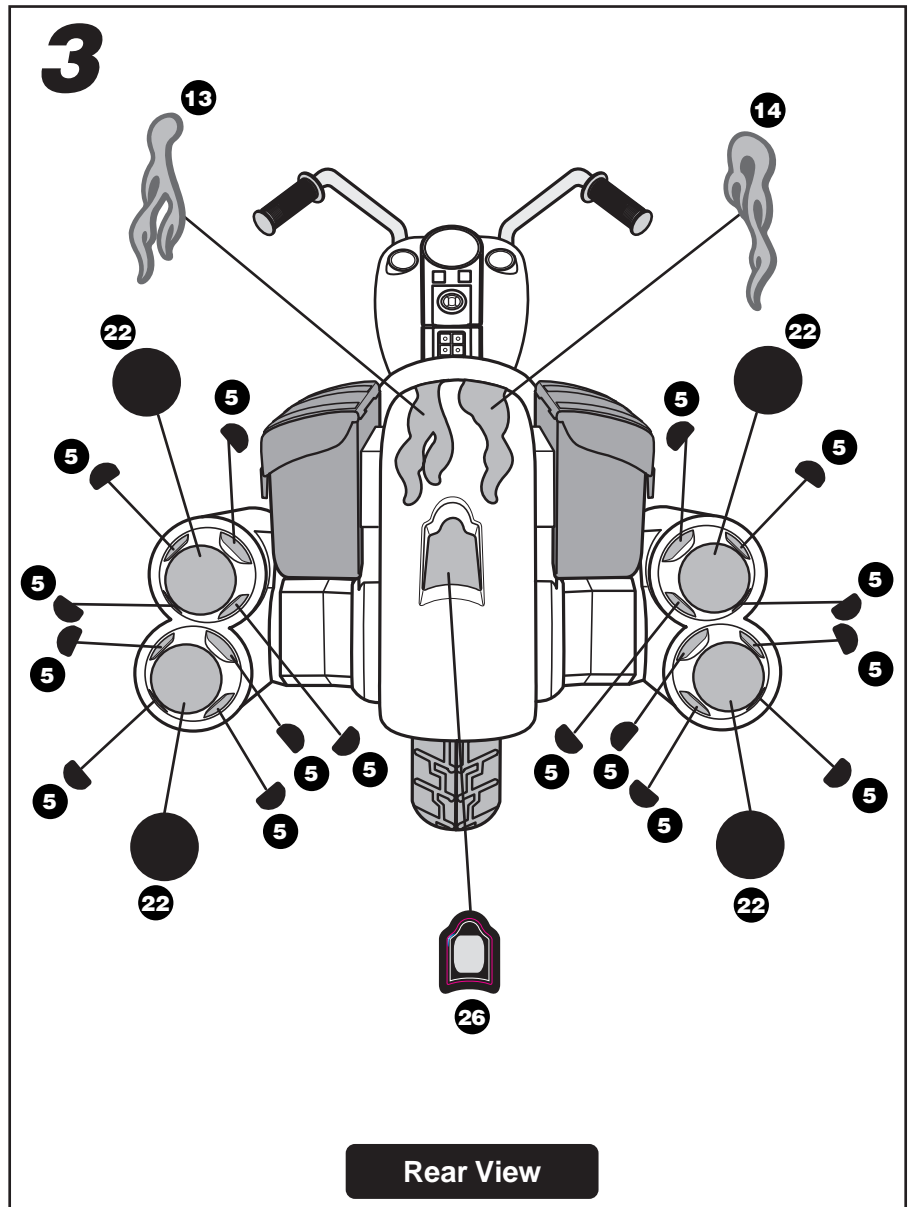
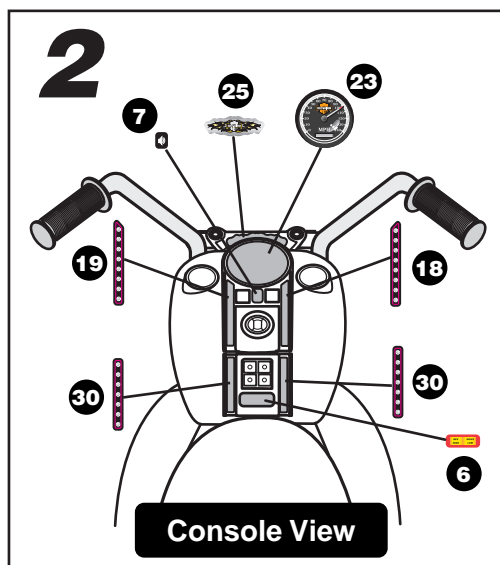
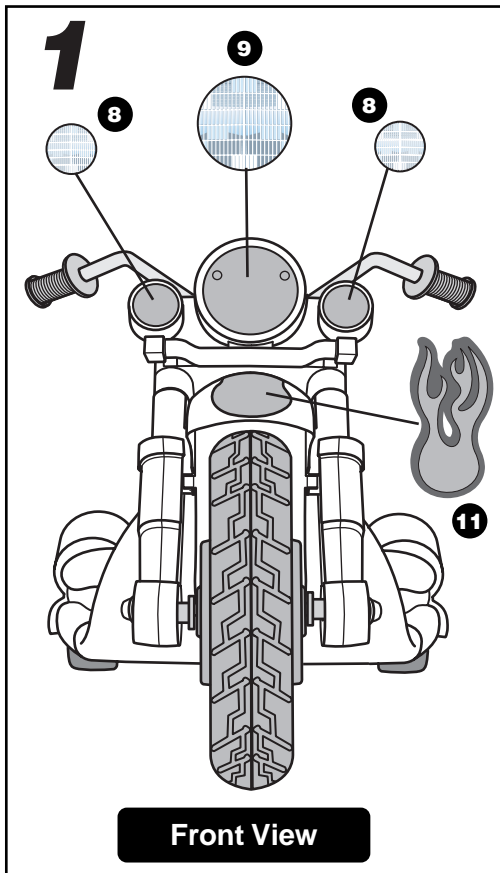
Helpful Hint! You will need to remove the seat to access the high speed connector and to charge the 6 volt batteries. To remove the seat, press the tab at the back of the seat and lift.

G

Label Decoration

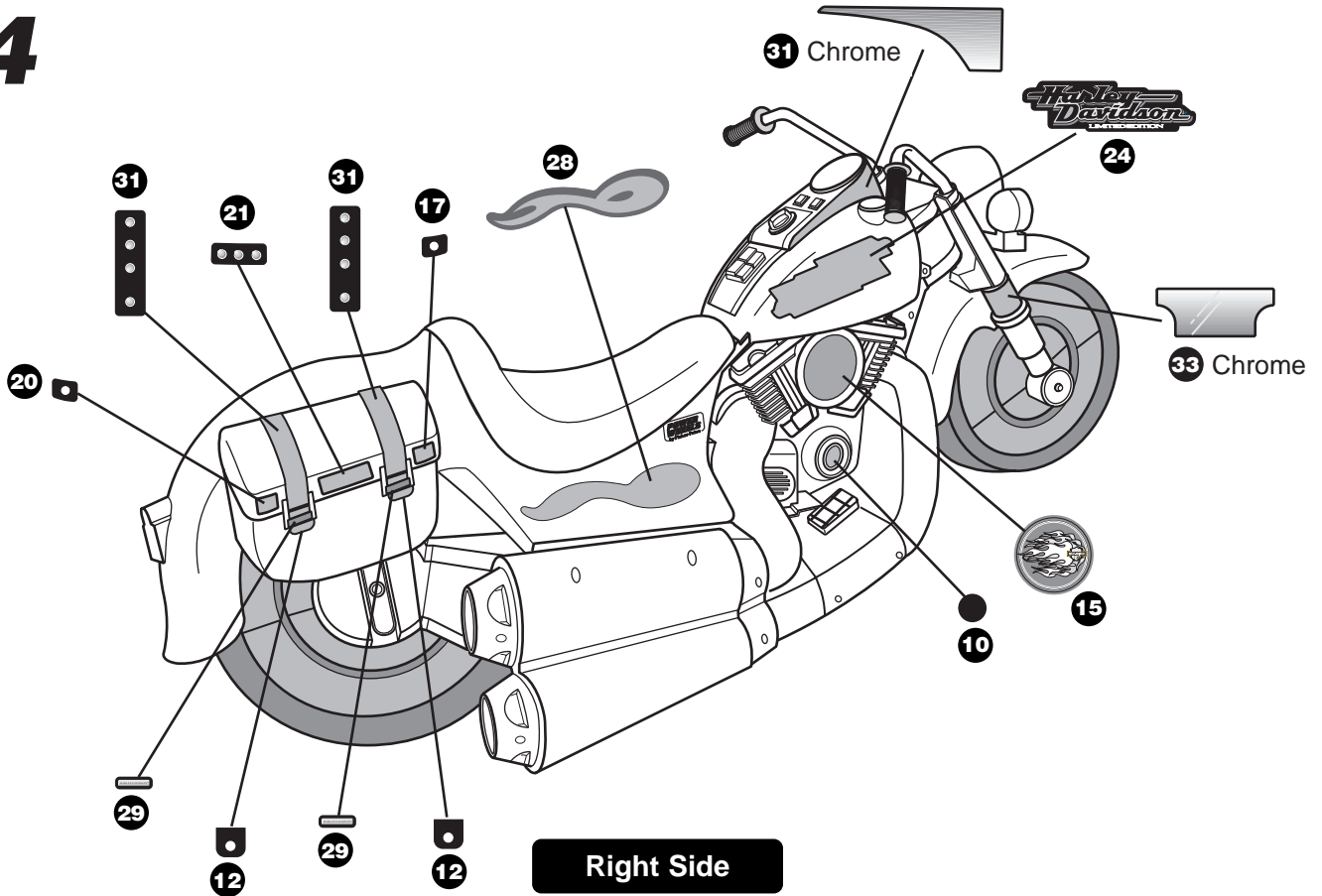
Proper label application will help to keep the labels looking their best! When applying labels, keep the following guidelines in mind:

- Wash your hands before applying the labels.
- Before applying the labels, wipe the surface of the vehicle with a clean, dry cloth to remove any dust or oils.
- Place the labels exactly as shown in the illustrations.
- For best results, avoid repositioning a label once it has been applied to the vehicle.
- After applying a label, rub the label firmly with a clean, dry cloth to make sure the label is adhered to your vehicle. Start at the center of a label, and smooth towards the outer edges to remove air bubbles.

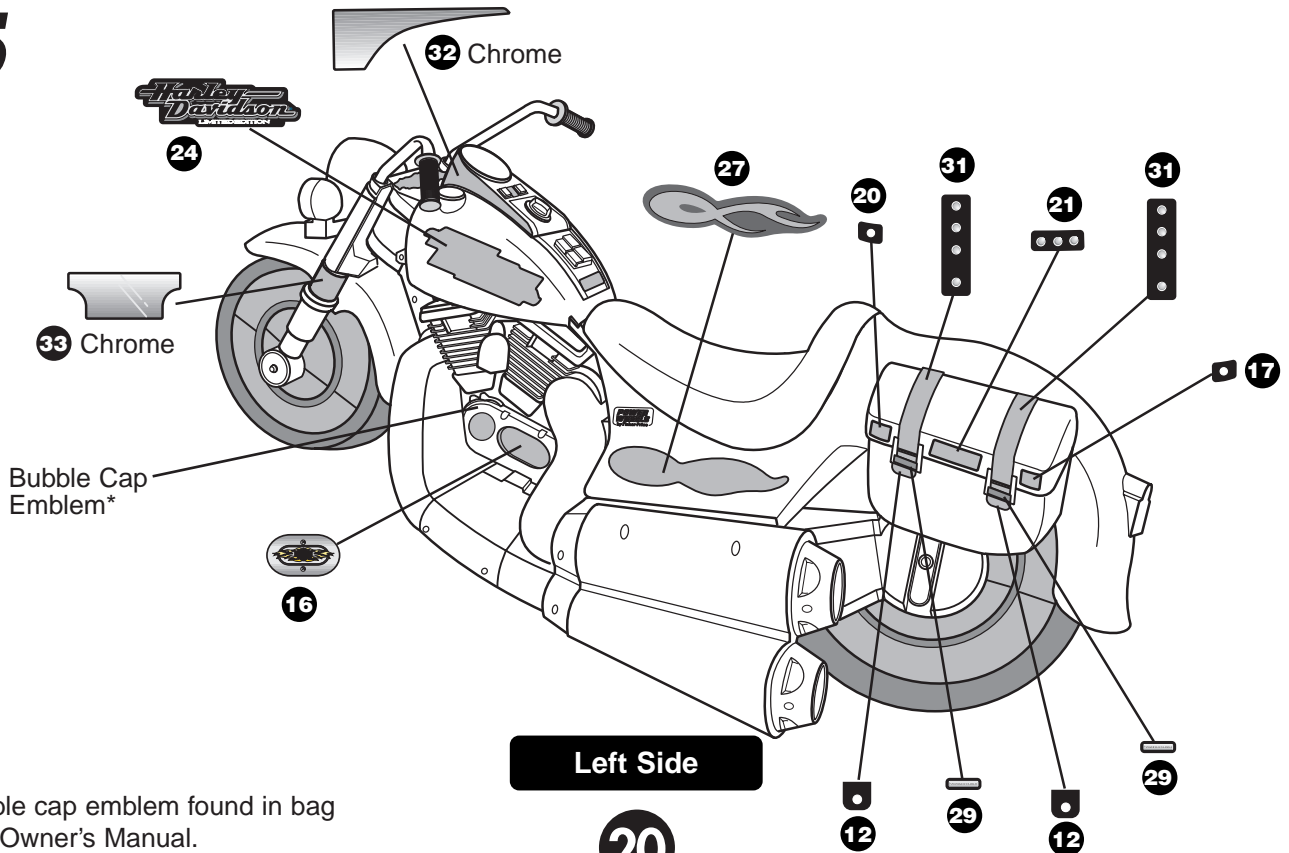


Label Decoration

4



5



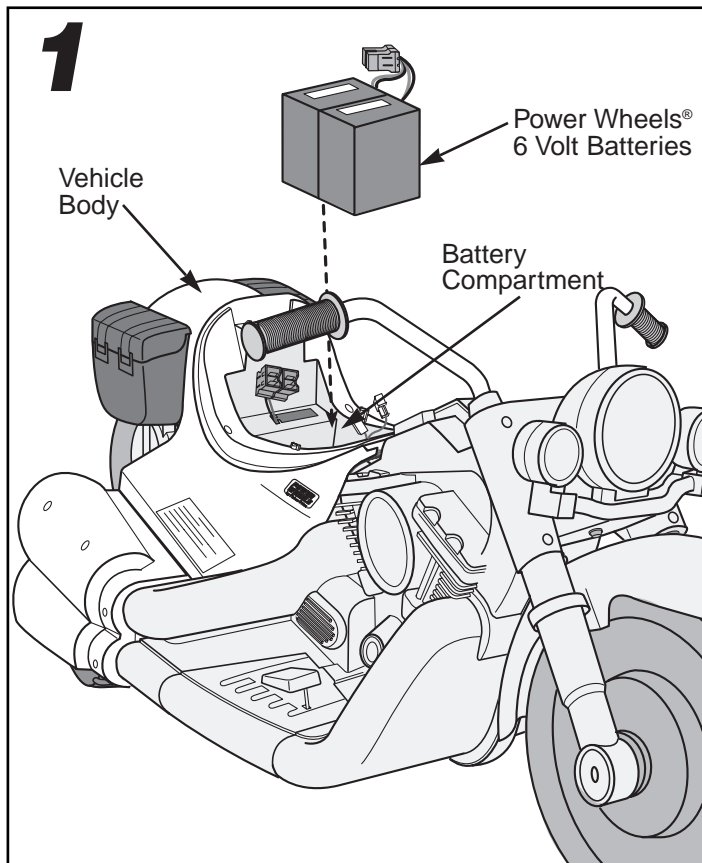
*Bubble cap emblem found in bag with Owner's Manual.

20

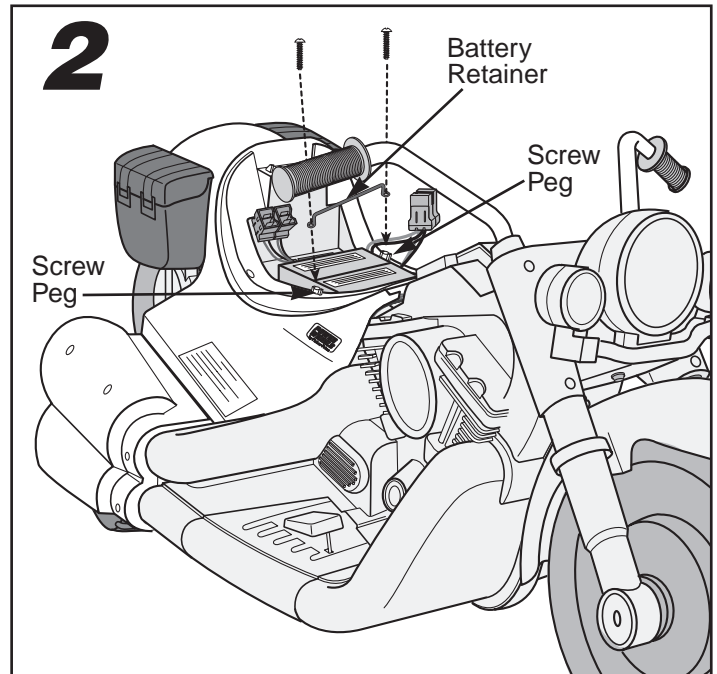
H

Battery Installation

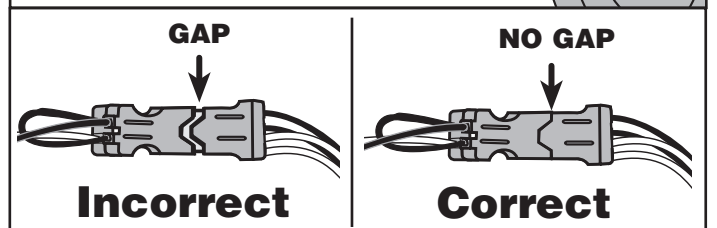
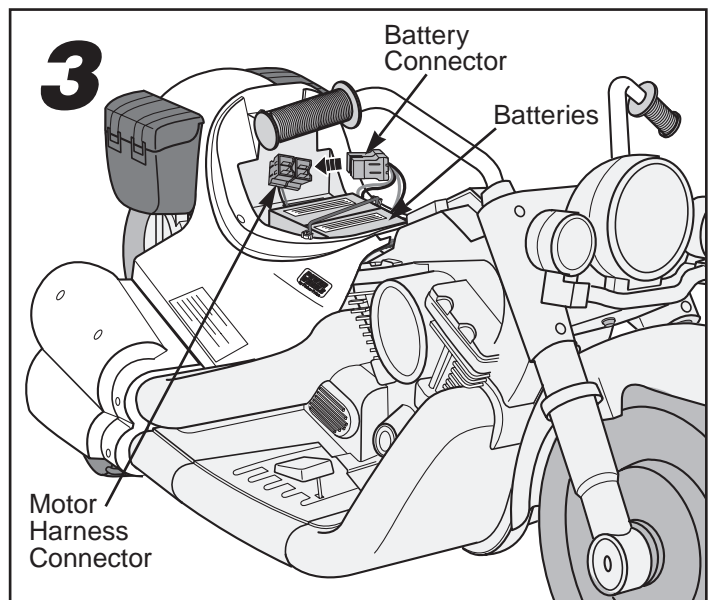
Important Note: Use only Power Wheels® 6 volt batteries with A-style connectors and built-in thermal fuses. **Power Wheels® 6 volt batteries with external thermal fuses will not fit in the battery compartment of this vehicle.** Use of any other batteries or fuses will damage your vehicle. Make sure that you charge the batteries for at least 18 hours using the enclosed Power Wheels® 12 volt charger **before operating your vehicle for the first time.** Charge the batteries for at least 14 hours after each use of the vehicle. Never charge the batteries longer than 30 hours. Failure to follow these instructions may damage your batteries and will void your warranty.



- Place the Power Wheels® 6 volt batteries upright in the battery compartment. **Make sure that the battery connectors extend toward the left side of the vehicle.**



- Fit the battery retainer over the batteries diagonally.
- Insert a screw through each end of the battery retainer and into the screw pegs on the vehicle body.
- Tighten the screws using a Phillips screwdriver. Do not over-tighten.



- Plug the battery and motor harness connectors together. Push firmly to snap the two connectors together.

I

Battery Care and Disposal

Care

If a battery leak develops, avoid contact with the leaking acid and place the damaged battery in a plastic bag. See information below for proper disposal.

If acid comes in contact with skin or eyes, flush with cool water for at least 15 minutes and call a physician.

If acid is internally ingested, give water, milk of magnesia or egg whites immediately. Never give emetics or induce vomiting. Call a physician.

- Charge new batteries for at least 18 hours before first use. Never charge the batteries longer than 30 hours. Overcharging or undercharging the batteries may shorten battery life and decrease vehicle running time.
- After the first charge, recharge the batteries for at least 14 hours after each use. Never charge the batteries longer than 30 hours. Charge the batteries after each use, regardless of how long the vehicle was used.
- The batteries must be upright while charging.
- Do not allow the batteries to run down completely before charging.
- Charge the batteries before storing the vehicle.
- Charge the batteries at least once per month, even if the vehicle has not been used.
- Leaving the batteries in a discharged condition will ruin them.
- Always remove an exhausted battery from the vehicle. Battery leakage and corrosion can damage the vehicle.
- Do not store the batteries on a surface which could be damaged by the acid contained inside the batteries. Take precautions to protect the surface on which you store the batteries.
- Do not store the batteries in temperatures above 75° F or below -10° F.
- When you purchase replacement Power Wheels® batteries, you should buy them as a set. Using an older battery with a new battery may result in poor performance and may cause permanent damage to both batteries. Use only Power Wheels® 6 volt batteries with A-style connectors and built-in thermal fuses. Remember to charge new batteries for at least 18 hours before first use.
- Prevent the batteries from moving freely inside the battery compartment. Always use the battery retainer to secure the batteries in the battery compartment.
- Examine the batteries, charger and their connectors for excessive wear or damage each time you charge the battery. If damage is detected, do not use the charger or the batteries until you have replaced the worn or damaged part.

Battery Care and Disposal

Disposal



- Your Power Wheels® batteries are sealed lead-acid batteries. They must be recycled or disposed of in an environmentally sound manner.
- Do not dispose of a lead-acid battery in your regular, household trash. The incineration, landfilling or mixing of sealed lead-acid batteries with household trash is prohibited by law in most areas.
- Return the batteries to a federal or state approved lead-acid battery recycler, such as a Power Wheels® authorized service center, or a local seller of automotive batteries. In Minnesota, call 1-800-348-0751 if further disposal information is required. Contact your local waste management officials for other information regarding the environmentally sound collection, recycling and disposal of lead-acid batteries.

J

Caring For Your Vehicle

- Check all screws, retainers and their protective coverings regularly and tighten as required. Check plastic parts on a regular basis for cracks or broken pieces.
- During snowy or rainy weather, the vehicle should be stored inside or under a protective cover. Remember to charge the batteries at least once per month while your vehicle is not in regular use.
- Avoid operating the vehicle in wet or snowy conditions, and do not spray the vehicle with a hose. Do not wash the vehicle with soap and water. Water or moisture in the motors or electrical switches can cause them to corrode, and could cause switch or motor failure.
- Avoid operating the vehicle on sand, loose dirt or gravel. Sand, loose dirt or gravel in the motors or electrical switches can cause them to jam, and could cause switch or motor failure.
- The vehicle can be wiped down with a soft, dry cloth. For a shiny finish, you can wipe plastic parts with a non-wax furniture polish applied to a soft-cloth. Do not use automotive wax. Do not use soap and water or spray the vehicle with a hose.
- To ensure that your vehicle stays in good operating order, we recommend that you periodically have your vehicle checked by a Power Wheels® authorized service center. See page 29 for the list of authorized service centers or call **1-800-348-0751** for the location of the authorized service center nearest you.



WARNING

- Adult supervision is required. Children do not have the judgement necessary to avoid many accidents. Be sure that children operating this vehicle can do so safely and that they are supervised at all times.
- Never use near steps, driveways, steep inclines, roadways, alleys, swimming pool areas or other bodies of water.
- Always wear shoes or sneakers when operating this vehicle.
- Never allow more than one rider.
- The rider should sit on the seat when the vehicle is in operation.
- Improper use of this vehicle could lead to a serious or fatal accident. Allow children to play with this vehicle only when you have determined that they can do so safely. Follow all instructions to help your child enjoy this vehicle as safely as possible.

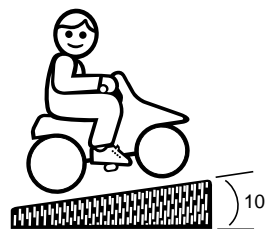
Teach Safety Rules to Children

While children can quickly develop the skill necessary to drive this vehicle, it is important to remember that their judgment skills are still very immature. Unsupervised driving by children can lead to serious injury. Before children use this vehicle, an adult should carefully evaluate the driving area as well as the children's skill level and ability to drive this vehicle safely. Children are not always able to recognize or anticipate hazards, even when they have been taught about them. There is no acceptable substitute for adult supervision.

Teach appropriate safety rules to your child before allowing operation of this vehicle. These rules should also be reviewed with neighborhood children or other playmates who want to drive this vehicle.

1. Do not allow any child to drive the vehicle in the street or near moving (motorized) vehicles.
2. Do not allow any child to drive near bodies of water (such as pools or creeks), obstructions (such as furniture, low tree limbs or play equipment), or drop-offs (such as stairs or decks).
3. Do not allow any child to drive the vehicle in the dark. A child could encounter unexpected obstacles and have an accident. Operate the vehicle only in the daytime or in a well-lit area.

4. Teach your child to avoid stepping on the foot pedal when climbing on and off the vehicle. Stepping on the foot pedal will cause the vehicle to move suddenly, possibly resulting in injury. Make sure your child is properly seated on the vehicle before pressing the foot pedal.
5. Teach your child to avoid driving on steep inclines or slopes. Restrict your child's driving to areas that are fairly level with gentle inclines or slopes of no more than 10°.
 - While driving down a steep slope, the vehicle may gain unsafe speed, even if the foot pedal is released to stop.
 - While driving across a steep slope, the vehicle may tilt and tip over. The wheels could lose traction, causing the vehicle to slip.
 - While driving up a steep incline, the motor may stop and the vehicle could roll backwards at an unsafe speed.

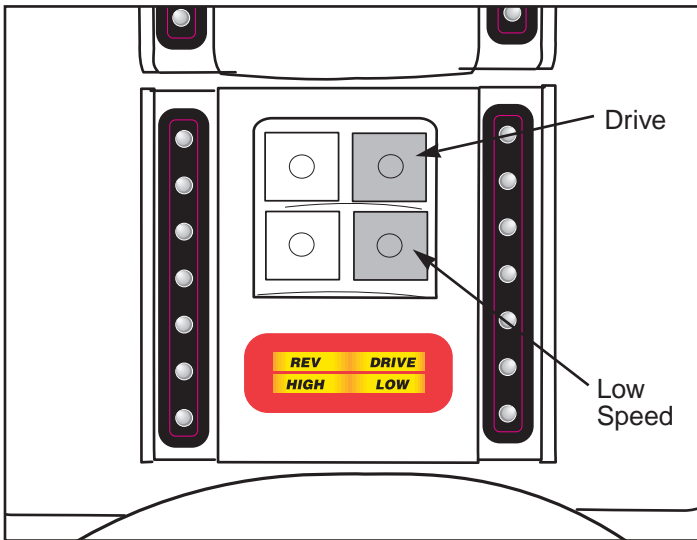


Incline should never be more than 10°

6. Do not operate this vehicle with more than one rider, seated on the seating area. A child who is not sitting on the seat or who is standing on the vehicle could fall off, cause a tip-over or block the driver's view. A child could be seriously injured.
7. Always wear shoes or sneakers when operating this vehicle.
8. Never put anything near any moving parts. Rotating parts such as motors, gear boxes and wheels can snag fingers, hair, etc., causing serious injury. Do not allow operation of the vehicle when it is on its side or in an upside-down position.
9. Do not operate the vehicle near flammable vapors (gasoline, paint thinner, acetone, liquid wax, etc.). The vehicle's electrical switches, like most electrical switches, emit an internal spark when first turned on or turned off. The presence of flammable liquids or vapors could cause an explosion or a fire. Keep all flammable products in tightly sealed containers and away from the vehicle.
10. Do not allow a child to operate the vehicle without proper adult supervision. To prevent unsupervised use of the vehicle, disconnect the motor harness from the batteries when the vehicle is not in use.

As assembled, your vehicle is ready to roll in low speed (2½ mph, maximum). When your child is ready to drive the vehicle in high speed (5 mph, maximum), follow the instructions to on page 25 connect the high speed hook-up.

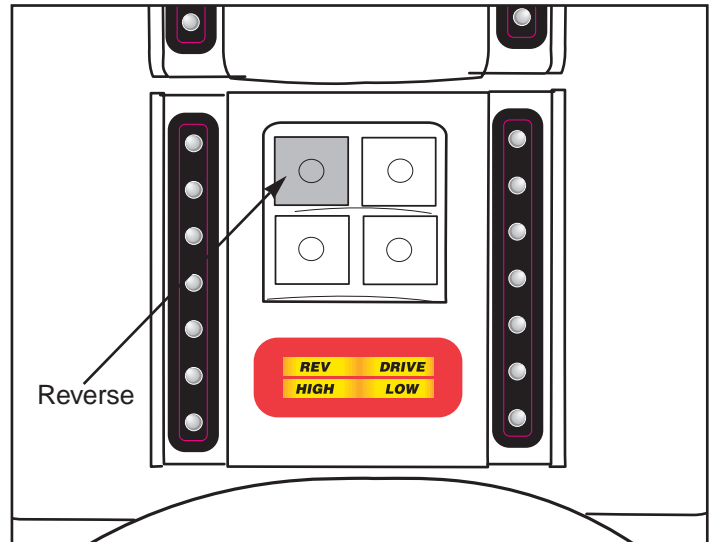
Beginner Use - Low Speed Drive



- Press the **DRIVE** and **LOW SPEED** buttons on the console.
- Press the foot pedal. The vehicle will drive forward at a maximum of 2½ mph.
- Help your child practice steering to learn how far and how quickly to turn the handlebar when driving forward in low speed.

To Back Up

Important! To prevent damaging the motors and gears, teach your child to **stop the vehicle before switching direction**. Never shift from drive (LOW or HIGH) to reverse, or from reverse to drive, without stopping.

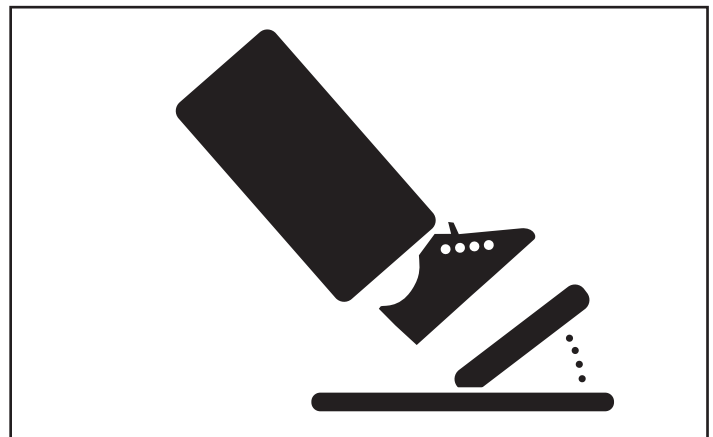


- Press the **REVERSE** button on the console.
- Press the foot pedal. The vehicle will back-up at a maximum of 2½ mph.

Note: The vehicle is designed to operate in low speed only in reverse.

- Help your child practice steering to learn how far and how quickly to turn the handlebar when driving in reverse.

To Stop

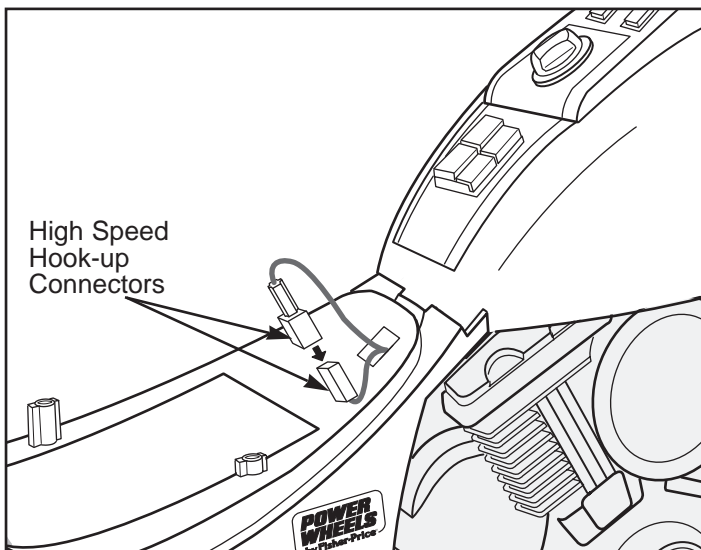


- Your vehicle has a patented, electronic braking system that automatically stops the vehicle when your child's foot is lifted from the pedal.
- Make sure your child is comfortable with steering the vehicle and automatically knows how to stop.

How to Operate Your Vehicle

Advanced Use - High Speed Drive

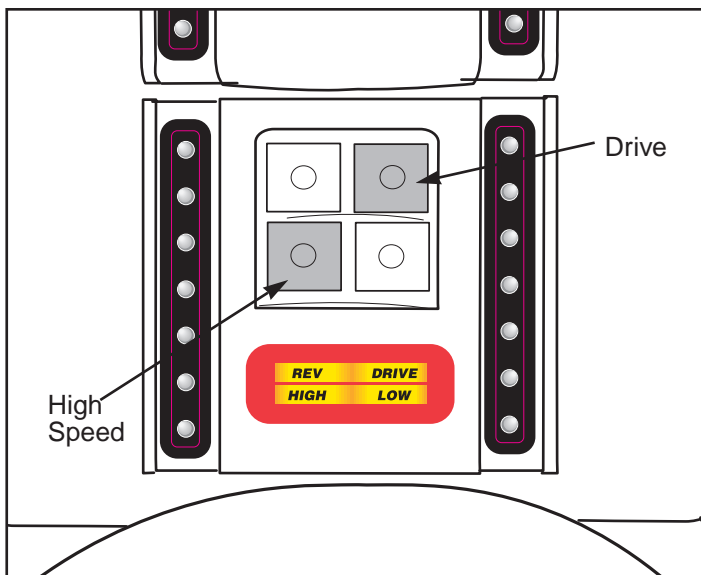
Connecting the High Speed Hook-up



- Remove the vehicle seat to access the high speed hook-up.
- Plug the two high speed hook-up connectors together. Make sure the two connectors are completely joined.
- Re-assemble the vehicle seat.
- To prevent operation of the vehicle in high-speed, simply disconnect the high speed hook-up connectors.

To Drive

Important! Teach your child not to drive the vehicle in HIGH SPEED from a stopped position. Always **start to drive in LOW SPEED** and **shift to HIGH SPEED** when already moving forward.



- Press the **DRIVE** and **LOW SPEED** buttons on the console.
- Press the foot pedal to move forward in low speed. With the foot pedal pressed and the vehicle already moving

How to Operate Your Vehicle

forward, press the **HIGH SPEED** button on the console to shift the vehicle into high speed. The vehicle will drive forward at a maximum of 5 mph.

- Help your child practice steering to learn how far and how quickly to turn the handlebar when driving forward in high speed.

M

Bumper-to-Bumper* Limited Warranty

***One year limited warranty from the date of purchase on the Power Wheels® vehicle.**

Six month limited warranty on 6 volt batteries.

For the original purchaser, this one year limited warranty covers the Power Wheels® ride-on vehicle (purchased from Power Wheels®) against defects in materials and workmanship. The six month limited warranty applies only to the 6 volt batteries included by Power Wheels® with the original purchase of the vehicle.

This warranty covers normal use and does not cover the Power Wheels® vehicle or battery if it has been damaged by unreasonable use, neglect, accident, abuse, misuse, improper service or other causes not arising out of defects in materials or workmanship. Evidence of any attempt at consumer repair will void this warranty. This warranty does not cover, and is intended to exclude, any liability on the part of Power Wheels®, whether under this warranty or implied by law, or any indirect or consequential damages for breach of warranty. Some states do not allow the exclusion or limitation, so this limitation may not apply to you.

Should you need service or assistance with your vehicle during the warranty period, **do not return the vehicle to the store.** Power Wheels® has provided a nationwide network of authorized service centers. Please refer to the list in this manual. Power Wheels® is continually expanding our Authorized Service Center Network. If there is not an authorized service center in your area, please call Consumer Affairs for information, **1-800-348-0751.**

This warranty gives you specific legal rights, and you may also have other rights which may vary from state to state.

Please save your original sales receipt.

N

Problems and Solutions Guide

IMPORTANT! If you experience a problem with your vehicle, first check the Problems and Solutions Guide below. If you still experience a problem, please contact Power Wheels® Consumer Affairs, toll-free at **1-800-348-0751** between 8 AM and 5 PM (EST) Monday through Friday. Or, contact your local Power Wheels® authorized service center. For the location nearest you, please refer to the Authorized Service Center list beginning on page 29.

Problem	Possible Cause	Solution
Vehicle does not run	Undercharged batteries	Charge the batteries. New batteries should have been charged for at least 18 hours before using the vehicle for the first time. After first-time use, recharge the batteries for at least 14 hours after each use. Never charge the batteries longer than 30 hours.
		Check all connectors. Make sure the battery connectors are tightly plugged into the charger connector, and that the charger is plugged into the wall.
		Make sure power flow to the wall outlet is "ON".
	Charger is not working	There is no sure way to tell if your charger is working unless you have a volt meter. If you suspect there is a problem with your charger, contact your local Power Wheels® authorized service center. They can test your charger for you.
	Tripped thermal fuse	Each Power Wheels® 6 volt battery has a built-in thermal fuse. A thermal fuse may "trip" and shut down operation of the vehicle if the vehicle is overloaded or the driving conditions too severe. The fuse will automatically reset itself after approximately 25 seconds, allowing the vehicle to resume normal operation. To avoid repeated automatic shutdowns, do not overload the vehicle by exceeding the 65 lbs maximum weight capacity or by towing anything behind the vehicle. Avoid severe driving conditions, such as driving up very steep hills or running into fixed objects, which can cause the wheels to stop spinning while power is still being supplied to the motors. If a thermal fuse continually trips, contact your local Power Wheels® authorized service center.
	Loose wire or loose connectors	Check all wires and connectors. Make sure the battery connectors are tightly plugged into the motor harness connector, and that there are no loose wires around the motors.
	Dead batteries	If your batteries are old or if you have not followed Battery Care instructions, your batteries may be dead. If you are unsure whether or not the batteries are dead, you can have them tested at your local Power Wheels® authorized service center.
	Electrical switch damage	The electrical switches can become corroded due to exposure to water or moisture, or can jam due to loose dirt, sand or gravel. Contact your local Power Wheels® authorized service center for diagnosis and repair.
Motor damage	Contact your local Power Wheels® authorized service center for diagnosis and repair.	
Vehicle was running but suddenly stopped	Loose wire or loose connectors	Check all wires and connectors. Make sure the battery connectors are tightly plugged into the motor harness connector, and that there are no loose wires around the motors.

Problems and Solutions Guide

Problem	Possible Cause	Solution
Vehicle was running but suddenly stopped (cont.)	Tripped thermal fuse	Each Power Wheels® 6 volt battery has a built-in thermal fuse. A thermal fuse may "trip" and shut down operation of the vehicle if the vehicle is overloaded or the driving conditions too severe. The fuse will automatically reset itself after approximately 25 seconds, allowing the vehicle to resume normal operation. To avoid repeated automatic shutdowns, do not overload the vehicle by exceeding the 65 lbs maximum weight capacity or by towing anything behind the vehicle. Avoid severe driving conditions, such as driving up very steep hills or running into fixed objects, which can cause the wheels to stop spinning while power is still being supplied to the motors. If a thermal fuse continually trips, contact your local Power Wheels® authorized service center.
Short run time (Less than 1 - 3 hours per charge)	Undercharged batteries	Charge the batteries. New batteries should have been charged for at least 18 hours before using the vehicle for the first time. After first-time use, recharge the batteries for at least 14 hours after each use. Never charge the batteries longer than 30 hours.
		Check all wires and connectors. Make sure the battery connector is tightly plugged into the charger connector, and that the charger is plugged into the wall.
		Make sure power flow to the wall outlet is "ON".
	Overcharged batteries	Do not charge the batteries longer than 30 hours. If you suspect that your batteries are damaged as a result of overcharging, contact your local Power Wheels® authorized service center. They can test your batteries for you.
	Batteries are old and will not accept full charge	Even with proper care, a rechargeable battery does not last forever. Average battery life is 1 to 3 years depending on vehicle use and use conditions. Replace only with Power Wheels® 6 volt batteries with built-in thermal fuse. Power Wheels® 6 volt batteries with external thermal fuses will not fit in the battery compartment of this vehicle.
Vehicle runs sluggishly	Tripped thermal fuse	Each Power Wheels® 6 volt battery has a built-in thermal fuse. A thermal fuse may "trip" and shut down operation of the vehicle if the vehicle is overloaded or the driving conditions too severe. The fuse will automatically reset itself after approximately 25 seconds, allowing the vehicle to resume normal operation. To avoid repeated automatic shutdowns, do not overload the vehicle by exceeding the 65 lbs maximum weight capacity or by towing anything behind the vehicle. Avoid severe driving conditions, such as driving up very steep hills or running into fixed objects, which can cause the wheels to stop spinning while power is still being supplied to the motors. If a thermal fuse continually trips, contact your local Power Wheels® authorized service center.
		Charge the batteries. New batteries should have been charged for at least 18 hours before using the vehicle for the first time. After first-time use, recharge the batteries for at least 14 hours after each use. Never charge the batteries longer than 30 hours.
Vehicle runs sluggishly	Undercharged batteries	Check all connectors. Make sure the battery connectors are tightly plugged into the charger connector, and that the charger is plugged into the wall.
		Make sure power flow to the wall outlet is "ON".

Problems and Solutions Guide

Problem	Possible Cause	Solution
Vehicle runs sluggishly (cont.)	Batteries need charging	After approximately 3 hours of constant use, the batteries need charging.
	Batteries are old and will not accept full charge	Even with proper care, a rechargeable battery does not last forever. Average battery life is 1 to 3 years depending on vehicle use and use conditions. Replace only with Power Wheels® 6 volt batteries with built-in thermal fuse. Power Wheels® 6 volt batteries with external thermal fuses will not fit in the battery compartment of this vehicle. For best performance, do not use substitute parts.
	Vehicle is overloaded	Make sure you do not overload the vehicle by allowing more than 1 rider at one time, exceeding the 65 lbs. maximum weight capacity, or by towing objects behind the vehicle. If the vehicle is overloaded, the fuses in the batteries may "trip", and automatically shut down operation of for approximately 25 seconds. Adjust the driving conditions to prevent repeated automatic shutdowns.
	Driving conditions are too stressful	Use only on gentle inclines or slopes of 10° or less. If the driving conditions are too stressful, the fuses in the batteries may "trip" and automatically shut down operation of the vehicle for approximately 25 seconds. Adjust the driving conditions to prevent repeated automatic shutdowns.
Vehicle runs in low speed but does not run in high speed (Note: The vehicle is designed to operate in low speed only in reverse.)	High speed hook-up not connected	The vehicle was pre-set to operate only in low speed until you connect the high speed hook-up. Follow the instructions on page 25 to connect High Speed Hook-up.
Sometimes the vehicle doesn't run, but other times it does	Loose wire or connector	Check all wires around the motors and all connectors to make sure they are tight.
	Motor or electrical switch damage	Contact your local Power Wheels® authorized service center for diagnosis and repair.
When the foot pedal is pressed, the vehicle won't run without a push	Loose wire or connector	Check all wires around the motors and all connectors to make sure they are tight.
	"Dead Spot" on motor	Contact your local Power Wheels® authorized service center for diagnosis and repair.
Batteries' thermal fuses constantly "trip", but the vehicle is not overloaded nor the driving conditions too severe	Damaged batteries	Contact your local Power Wheels® authorized service center for diagnosis and repair.
	Child is switching between FORWARD and REVERSE without stopping	Teach your child to stop the vehicle before switching direction.
Loud clacking or grinding noise from a motor-gearbox	Broken gears	Contact your local Power Wheels® authorized service center for diagnosis and repair.
Charger gets warm during use	It is normal for some chargers to get warm during use and is not reason for concern. Some chargers do not get warm during use.	No action required. If your charger does not get warm during use, it does not mean that it is not working properly.
Batteries make a sizzling or gurgling noise when charging	It is normal for some batteries to make noise and swell slightly while charging and is not reason for concern. Some batteries do not make noise or swell while charging.	No action required. If your batteries do not make noise or swell slightly during charging, it does not mean that they are not accepting the charge.

If, after reviewing the Problems and Solutions Guide, the vehicle still fails to operate, please contact your nearest authorized service center (see page 29) or contact Power Wheels® Consumer Affairs toll-free at **1-800-348-0751**.



Authorized Service Centers

We are continually expanding our Authorized Service Center Network. Please check this listing for the Authorized Service Center nearest you. If there is not one in your area, please call Power Wheels® Consumer Affairs at 1-800-348-0751.

ALABAMA

- BIRMINGHAM** - Frigid Appliance Center, 1861 Centerpoint Rd., 35215, (205) 853-3952
- BIRMINGHAM** - Frigid Appliance Center, 701 Graymont Ave. North, 35203, (205) 323-5831
- DECATUR** - Peddler II, 1308 Fairway Drive SE, 35601, (205) 350-1044
- DOTHAN** - Bill's Appliance Service, 208 Bic Rd., 36303, (334) 792-7746
- DOUGLAS** - Brown Hardware #4916, Highway 75, 35964, (256) 593-6086
- HOMEWOOD** - Frigid Appliance Center, 154 West Valley Ave. 35209, (205) 942-3959
- MONTGOMERY** - Acme Service Co., 2603 Highland Ave., 36107, (334) 264-2456
- TROY** - Specialty Batteries, 1317 South Brundidge St., 36081, (334) 670-6800, Toll Free: (800)-477-8230

ALASKA

- ANCHORAGE** - Ken's Electronics Service, 360 E. International, 99518, (907) 562-3443

ARKANSAS

- FT. SMITH** - Bromley Appliance Service, 614 North 10th Street, 72901, (501) 782-9646
- JONESBORO** - Jonesboro Sewing & Vac, 1420 South Caraway Road, 72401, (870) 931-9600, (800) 530-7656
- LITTLE ROCK** - C & W Tool Repair, 1400 South Main St., 72202, (501) 374-1911
- ROGERS** - Kressels Vacuum & Repair, 115 North 5th St., 72756, (501) 636-7894
- STUTTGART** - Davis Lumber Company, 301 East Michigan, 72160, (870) 673-3601

ARIZONA

- GLENDALE** - Elliott Electric Appliance, 6242 N. 43rd Ave., 85301, (602) 937-2613
- SCOTTSDALE** - Elliott Electric Appliance, 7515 E. McDowell Road, 85257, (602) 946-7487
- TUCSON** - Arizona Small Appliance Service, 5033 E. 5th Street, 85711, (520) 325-3988

CALIFORNIA

- ANDERSON** - Hardware Express #0572, Do It Best, 96007, (530) 365-3783
- BAKERSFIELD** - Southwest TV, 6300 White Lane, Suite B, 93309, (805) 397-4940
- CONCORD** - Ca. Electric Service Inc., 1170-G Burnett Ave., 94520, (925) 827-1011
- COVINA** - Ca. Electric Service Inc., 612 Shoppers Ln., 91723, (626) 915-4935
- FORT JONES** - Ft. Jones Frontier Hardware, 11911 Main Street, 96032, (916) 468-2266
- FRESNO** - Valley Small Appliance, 4005 E. Ashlan Ave., 93726, (209) 224-5530
- FULLERTON** - Ca. Electric Service Inc., 1208 E. Ash Avenue, 92831, (714) 870-0900
- LOS ALAMITOS** - Ca. Electric Service Inc., 11284 Los Alamitos Blvd., 90720, (562) 430-2668
- MERCED** - Moosehead Electronics, 920 W. 18th Street, 95340, (209) 723-4712
- MISSION VIEJO** - Ca. Electric Service Inc., 23725 Via Fabricante, 92691, (714) 586-9440
- OAKLAND** - Ca. Electric Service Inc., 2301 Broadway, 94612, (510) 834-1050
- OXNARD** - Tiny's / The Clean-up Store, 1237 Saviers Road, 93033, (805) 487-9401
- PASADENA** - Ca. Electric Service Inc., 2594 E. Colorado Blvd., 91107, (626) 792-3194
- SACRAMENTO** - Ca. Electric Service Inc., 1717 Bell Street, 95825, (916) 648-1604
- SALINAS** - SRS Hobbies, 1038A North Davis Road, 93907, (831) 424-4044, (800) 414-4547
- SAN DIEGO** - Ca. Electric Service Inc., 3440 El Cajon Blvd., 92104, (619) 283-6488
- SAN FRANCISCO** - Ca. Electric Service Inc., 3934 Geary Blvd., 94118, (415) 386-4500
- SAN JOSE** - Ca. Electric Service Inc., 481 South Bascom Ave., 95128, (408) 295-1722
- SANTA ROSA** - Hardisty's Inc., 710 Farmers Lane, 95405, (707) 545-0535
- SKY FOREST** - Sky Forest Electrical, 26870 Highway 18, 92385, (909) 337-0811
- STOCKTON** - California Electronics, 929 North Yosemite Street, 95203, (209) 466-5432
- TEMECULA** - Ca. Electric Service Inc., 41715 Enterprise Circle, 92590, (909) 695-5445
- VAN NUYS** - Ca. Electric Service Inc., 14753 Oxnard Blvd., 91411, (818) 997-8855

- WEST LOS ANGELES** - Ca. Electric Service Inc., 2314 S. Westwood Blvd., 90064, (310) 475-2532
- YUCAIPA** - Aire-Rite Heating & A/C, 34724 Yucaipa Blvd., 92399, (909) 797-2788

COLORADO

- COLORADO SPRINGS** - Nelson Appliance Repair, Inc., 1220 E. Fillmore, 80907, (719) 635-1928, (800) 291-8010
- DENVER** - Appliance Service, 4262 Lowell Blvd., 80211, (303) 458-1109
- ENGLEWOOD** - Appliance Service, 3932 S. Broadway, 80110, (303) 781-1227, (800) 553-1864
- GRAND JUNCTION** - V & L Appliance Service, 591 25 Road Suite A6, 81506, (970) 243-3360
- PUEBLO** - Direct Maytag Home Appliance Co., 1407 Santa Fe Drive, 81006, (719) 543-0777

CONNECTICUT

- HAMDEN** - New Haven Appliance, 1627 Dixwell Ave., 06514, (203) 288-6229
- HARTFORD** - Hartford Element & Appliance, 1500 Albany Avenue, 06112, (860) 246-7424, (800) 787-7977
- SHELTON** - Jeff's Appliance, Inc., 500 A Howe Avenue, 06484, (203) 924-8997
- STAMFORD** - Appliance Service of Stamford, 15 Cedar Heights Road, 06905, (203) 322-7656
- WATERBURY** - P.J. Appliance Repair, 935 South Main Street, 06706, (203) 757-1014

DELAWARE

- SELBYVILLE** - Ahern & Son, Inc., #2 S. Dupont Hwy Rt. 2, 19975, (302) 436-4100
- WILMINGTON** - Lyons Hardware Do-It Center, 2021 Kirkwood Highway, 19805, (302) 995-1260

DF

- MEXICO** - S.E.G.E.S.A., Calz De Talpan 1172-A, CP3540

FLORIDA

- ATLANTIC BEACH** - First Coast Repair, 25 Seminole Road, 32233, (904) 246-4616
- CAPE CORAL** - Family Hardware #0827 Do-It Express, 33904, (941) 542-6365
- DELRAY BEACH** - Mister Fixlt, 209 S.E. 2nd Avenue, 33483, (561) 243-9999
- GAINESVILLE** - Authorized Appliance Service, 2614 South West 34th Street, 32608, (352) 375-3886
- HIALEAH** - S-O Service Company, 925 Hialeah Drive, 33010, (305) 887-6275
- HOLLY HILL** - Ormond Element, 1668 Ridgewood Avenue, 32117, (904) 677-3497
- JACKSONVILLE** - Authorized Appliance, 6120-5 Powers Avenue, 32217, (904) 737-5312
- LAKELAND** - Electric Shaver & Small Appliance, 4243 S. Florida Avenue, 33813, (941) 644-4690
- MIAMI** - Goodman's Sales & Service, 13081 SW 133 Court, 33186, (305) 278-8822
- NORTH PALM BEACH** - Appliance Doctors II, 450 Northlake Blvd., 33408, (561) 845-0377,
- OCALA** - Vacuum Center & Gifts, 2012 South Pine Avenue, 34474 (352) 732-6335
- ORLANDO** - Pine Hills Appliance Svc. Co., 6100-4 W. Colonial Drive, 32808, (407) 299-1271
- ORLANDO** - Southern Electric Co., 510 N. Parramore Avenue, 32801, (407) 841-8824, (800) 940-8824
- PANAMA CITY** - Callaway Vacuum & Sewing, 221 N. Tyndall Parkway, 32404, (850) 763-7443
- PENSACOLA** - Foster's Appliance Repair, 3836 N. Davis Highway, 32503, (850) 432-8853
- POMPANO BEACH** - Authorized Appliance, 2171 North Dixie Highway, 33060, (954) 941-2038
- PORT ST. LUCIE** - Hoppe's Authorized Vac & Appliance, 6735 South Federal Hwy, 34952, (561) 464-0102
- SARASOTA** - Sunray Small Appliance, 8371 N. Tamiami, Tr US-41, 34243, (941) 358-9999, (800) 895-5655
- SEBRING** - Ace Hardware of Sebring, 305 US 27 North, 33870, (941) 385-2785
- SPRING HILL** - Ace Hardware #5304F, 5350 Spring Hill Drive, 34606, (352) 686-4743
- ST. PETERSBURG** - Keystone Electric, 4604 Central Avenue, 33711, (813) 321-1124
- STUART** - Appliance Doctors, 3166 S.E. Dixie Highway, 34997, (561) 287-6437
- SUNRISE** - Muller Appliance Service, 2116 N. University Drive, 33322, (954) 749-5460
- TAMPA** - Authorized Appliance Service Co., Dibbs Plaza, 33624, (813) 968-6638

- VERO BEACH** - Hoppe's Authorized Vac & Appliance, 1872 Commerce Avenue, 32960, (561) 562-4466
- WEST PALM BEACH** - Satisfaction TV Video, 1980 S. Congress Avenue, 33406, (561) 439-3733, (800) 477-3734

GEORGIA

- ATLANTA** - Georgia Service Center, 5366 Buford Highway, 30340, (770) 455-1716, (800) 455-1715
- AUGUSTA** - A & A Appliance Parts & Service, 1708 Walton Way, 30904, (706) 733-5163
- BRUNSWICK** - Arco Hardware & Supply, 3711 Community Road, 31520, (912) 267-0771
- COLUMBUS** - Burrell's National Appliance Service, 1728 Warm Springs Road, 31904, (706) 327-0523
- GAINESVILLE** - Bike Town USA, 1604 Dawsonville Hwy., 30501, (770) 532-7090
- LOGANVILLE** - Mtn. Mower Sales and Service, 380-A Hwy. 78, 30249, (770) 466-9111
- MARIETTA** - Philips Consumer Electronics, 200 N. Cobb Parkway, 30062, (770) 795-0085
- SAVANNAH** - Hagins Appliance Service, 3 West Victory Drive, 31405, (912) 233-8372
- TIFTON** - Western Auto, 354 South Main Street, 31794, (912) 382-5767
- VALDOSTA** - Harry B. Anderson, Inc. Western Auto, 31601, (912) 242-5945
- WOODSTOCK** - All City Appliance Inc., 8477 Hwy 92 Suite 110, 30189, (770) 924-2375

HAWAII

- HONOLULU** - McCully Bicycle & Sporting Goods, 932 Hausten Street, 96826, (808) 946-1192
- WAILUKU** - Tom's Appliance Sales & Service, 1816 Mill Street Suite 104, 96793, (808) 244-6278
- WAIPAHU** - Waipahu Bicycle, 94-320 Depot Street, 96797, (808) 671-4091

IDAHO

- BOISE** - Boise Appliance, 1503 Main Street, 83702, (208) 343-0102

ILLINOIS

- CHAMPAIGN** - Appliance Parts & Service, 905 Francis, 61821, (217) 355-0220
- DECATUR** - REXX Battery of Decatur, 1330 E. Eldorado Street, 62521, (217) 422-0281
- DOWNER'S GROVE** - Authorized Appl. Svc. Co., 1644 W. Ogden Ave., 60515, (630) 852-1550, (800) 829-1798
- JACKSONVILLE** - REXX Battery Specialists, 847 South Main Street, 62650, (217) 245-2713
- LINCOLN** - REXX Battery Specialists, 504 Keokuk, 62656, (217) 732-2885
- MORTON GROVE** - Brand Parts & Repair Center, 5618 Dempster Street, 60053, (847) 965-5900
- MT. VERNON** - Battery Specialists, 1018 South 10th, 62864, (618) 244-0091
- NASHVILLE** - Kesel Hardware #5399, 173 West St. Louis, 62263, (618) 327-8957
- NILES** - Household Appl Sales & Service, 7411 N. Milwaukee Ave., 60714, (847) 647-8250, (800) 572-6826
- PEORIA** - REXX Battery Specialists, 3033 North University, 61604, (309) 687-3564
- ROCKFORD** - Sun Appliance Sales & Service, 3112 N. Rockton Avenue, 61103, (815) 964-3866
- SPRINGFIELD** - REXX Battery Co. Inc., 2505 South Grand East, 62703, (217) 535-4096
- TAYLORVILLE** - Battery Specialists +, Golf Cars, 62568, (217) 824-3943

INDIANA

- EVANSVILLE** - Electro Hygiene Co., 1614 South Kentucky, 47714, (812) 425-2671
- FT. WAYNE** - HWI Hardware & Paint, 6043 Stellhorn Road, 46835, (219) 485-8861
- FT. WAYNE** - Southside Vacuum Co. Inc., 3702 S. Calhoun St., 46807, (219) 745-7788, (888) 209-8113
- INDIANAPOLIS** - Brand Appl Svctr Inc., 1827 N. Meridan Street, 46202, (317) 924-1386
- INDIANAPOLIS** - Sullivan Do-It Center #957, 7021 N. Keystone, 46220, (317) 255-9230
- NEW ALBANY** - Wells Hardware #1607, 1011 Vincennes Street, 47150, (812) 944-4523
- OSCEOLA** - AAA Appliance Service Co., 11868 Lincoln Way West, 46561, (219) 679-4981
- SOUTH BEND** - Ray's TV and Appliance, 60717 US 31 South, 46614, (219) 291-1630



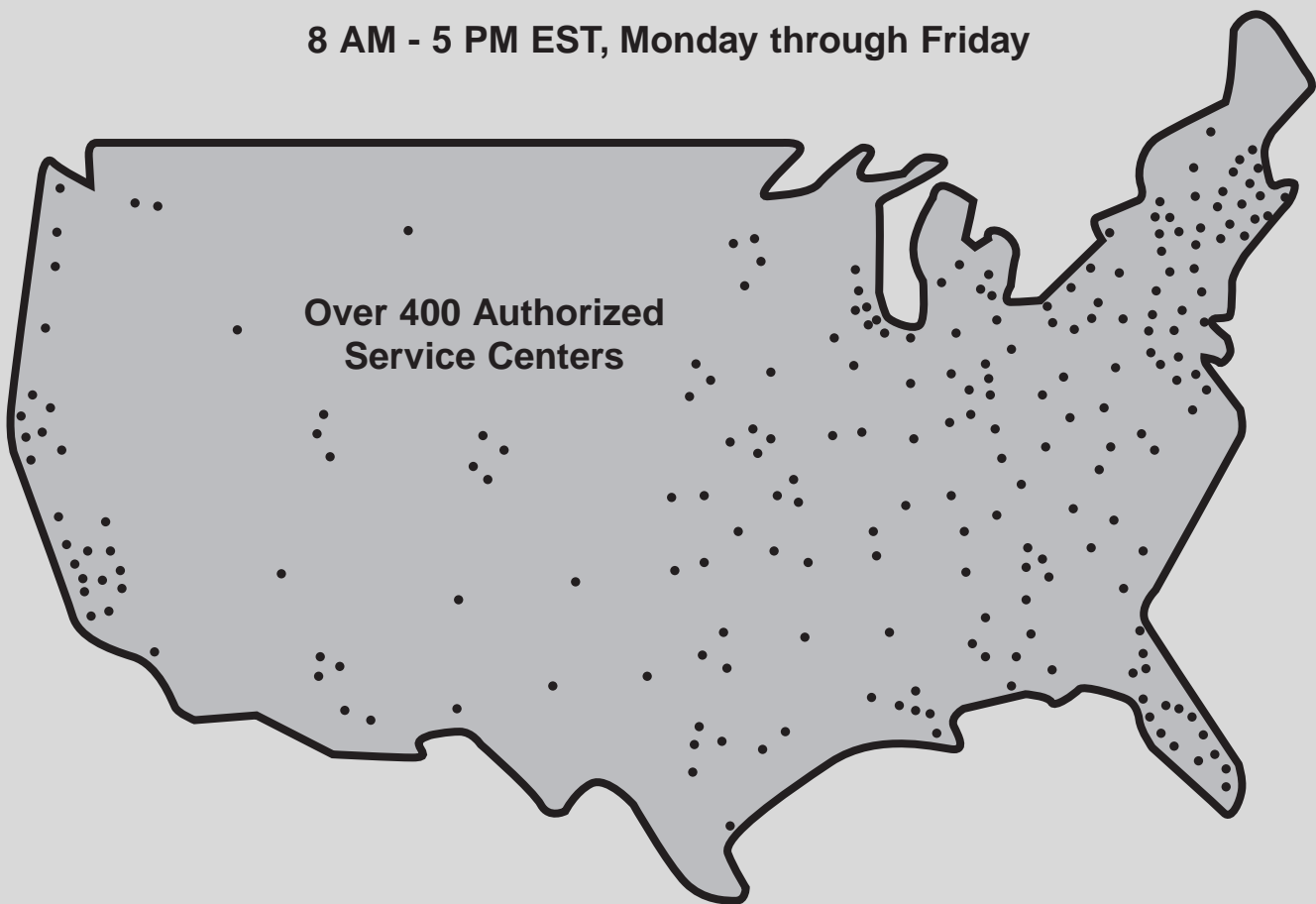
Do Not Return Your Vehicle to the Store

If you are missing parts or need assistance, please call us toll-free:

Power Wheels Consumer Affairs

1-800-348-0751

8 AM - 5 PM EST, Monday through Friday



Or contact your local Power Wheels® Authorized Service Center.

For the location nearest you, refer to the
Authorized Service Center list in this manual.

©1999 H-D, Harley-Davidson engine sound™ are trademarks of Harley-Davidson®. All Rights Reserved.
Manufactured by Fisher-Price under license from Harley-Davidson Motor Company.

Fisher-Price, Inc., a subsidiary of Mattel, Inc., East Aurora, New York 14052 U.S.A.

©1999 Mattel, Inc. All Rights Reserved.

Fisher-Price, Power Wheels and Power Wheels by Fisher-Price are U.S. trademarks of Mattel, Inc.