



Product features and decoration may vary from the picture above.

JEEP and the Jeep grille design are registered trademarks of DaimlerChrysler Corporation and are used under license. ©DaimlerChrysler Corporation. Fisher-Price, Power Wheels by Fisher-Price, BARBIE, Cruisin' Tunes, Power Lock and Power Stick are U.S. trademarks of Mattel Inc.

# Barbie™ Cruisin' Tunes Jeep 4x4

## Owner's Manual with Assembly Instructions

Please read this manual and save it with your original sales receipt.  
For Model 74340

Tools needed for assembly: Phillips Screwdriver, Hammer, and Safety Scissors (tools not included).  
Use only with a Power Wheels® 12 Volt Lead-Acid Rechargeable Battery and Power Wheels® 12 Volt Charger  
with Type "12V" Connector (included).

"Radio" requires three "AA" (LR6) alkaline batteries (not included) for operation.

[www.powerwheels.com](http://www.powerwheels.com)

## Table of Contents

<b>A</b>	Important Information .....	2
<b>B</b>	Warnings and Cautions .....	3
<b>C</b>	Parts .....	4
<b>D</b>	Parts Diagram .....	6
<b>E</b>	Battery Charging .....	7
<b>F</b>	Assembly .....	8
<b>G</b>	Label Decoration .....	18
<b>H</b>	Battery Installation .....	20
<b>I</b>	Battery Care and Disposal .....	21
<b>J</b>	Rules for Safe Driving .....	22
<b>K</b>	How to Operate Your Vehicle .....	23
<b>L</b>	Caring for Your Vehicle .....	24
<b>M</b>	Problems and Solutions Guide .....	25
<b>N</b>	Limited Warranty .....	28
<b>O</b>	Authorized Service Centers .....	28

# A

## Important Information

- Your new vehicle requires adult assembly. Please set aside at least 60 minutes for assembly.
- You must charge your battery for 18 - 30 hours **before you use your vehicle for the first time.** We recommend that you start charging your battery before beginning assembly. Please see Battery Charging beginning on page 7 for detailed instructions.
- Read this manual carefully for important safety information and operating instructions before using your vehicle. Keep these instructions for future reference as they contain important information.
- This vehicle is designed for use on: grass, asphalt or other hard surfaces; on generally level terrain; by children 3 years of age and older.
- Make sure children know and follow these rules for safe driving and riding:
  - always sit in the seat.
  - always wear shoes.
  - only two (2) riders at a time.
- This vehicle has adjustable play seat belts. Please note that the adjustable seat belts are designed to be a play feature only and do not function as protective safety restraints.
- To prevent damaging the motors and gears, teach your child to stop the vehicle before switching between forward and reverse. Do not tow anything behind the vehicle or overload it. Do not exceed the maximum weight capacity of 130 lb. (60 kg).
- For safety reasons, your vehicle has been pre-set so that it will only operate at low speed. **You must remove the high speed lock-out screw to allow operation of the vehicle at high speed.** Please see page 24 for detailed instructions.
- If you have any questions about your Power Wheels® vehicle, please call our toll-free service lines at **1-800-348-0751** from 8 AM to 6 PM (EST) Monday through Friday. Trained customer service representatives are available to take your call in English or French. Habla Español? Si usted tiene alguna pregunta ó necesita asistencia llame gratis **1-800-348-0755** para los Estados Unidos. Tenemos representantes que hablan español para atender su llamada.
- For your convenience, Power Wheels® maintains an Authorized Service Center Network with more than 400 authorized service centers nationwide. Our authorized service centers will repair or replace parts under warranty at no extra charge, and can perform non-warranty repairs for a minimal charge. Please see the Authorized Service Center list beginning on page 28 to find the authorized service center nearest you, or call **1-800-348-0751**.
- Please complete and return the enclosed Registration Card today, or call **1-800-348-0751** to register your vehicle by phone.

**B****Warnings and Cautions****ELECTRICAL HAZARD****WARNING**

- Battery can fall out and injure a child if vehicle tips over. Always use battery clamp.
- **PREVENT FIRE**
  - Never modify the electrical system. Alterations could cause a fire resulting in serious injury and could also ruin the electrical system.
  - Use of the wrong type battery or charger could cause a fire or explosion resulting in serious injury.
  - Use of Power Wheels® components in products other than Power Wheels® vehicles could cause overheating, fire or explosion.
- The battery must be handled by adults only. The battery is heavy and contains sulfuric acid (electrolyte). Dropping the battery could result in serious injury.
- Never allow children to charge the battery. Battery charging must be done by adults only. A child could be injured by the electricity involved in charging the battery.
- Never lift or carry the battery by the wires or connector. This can damage the battery and possibly cause a fire resulting in serious injury. Lift and carry the battery by the case only.
- Read the safety instructions on the battery.
- Examine the battery, charger and their connectors for excessive wear or damage each time you charge the battery. If damage or excessive wear is detected, do not use the charger or the battery until you have replaced the worn or damaged part.
- **HOT** motors. Handle carefully.

**RIDING HAZARD****WARNING**

- **Prevent Injuries and Deaths**
  - Direct Adult Supervision Required
  - Keep Children Within Safe Riding Areas.  
These areas must be:
    - away from swimming pools and other bodies of water to prevent drownings
    - generally level to prevent tipovers
    - away from steps, driveways, roads and alleys.

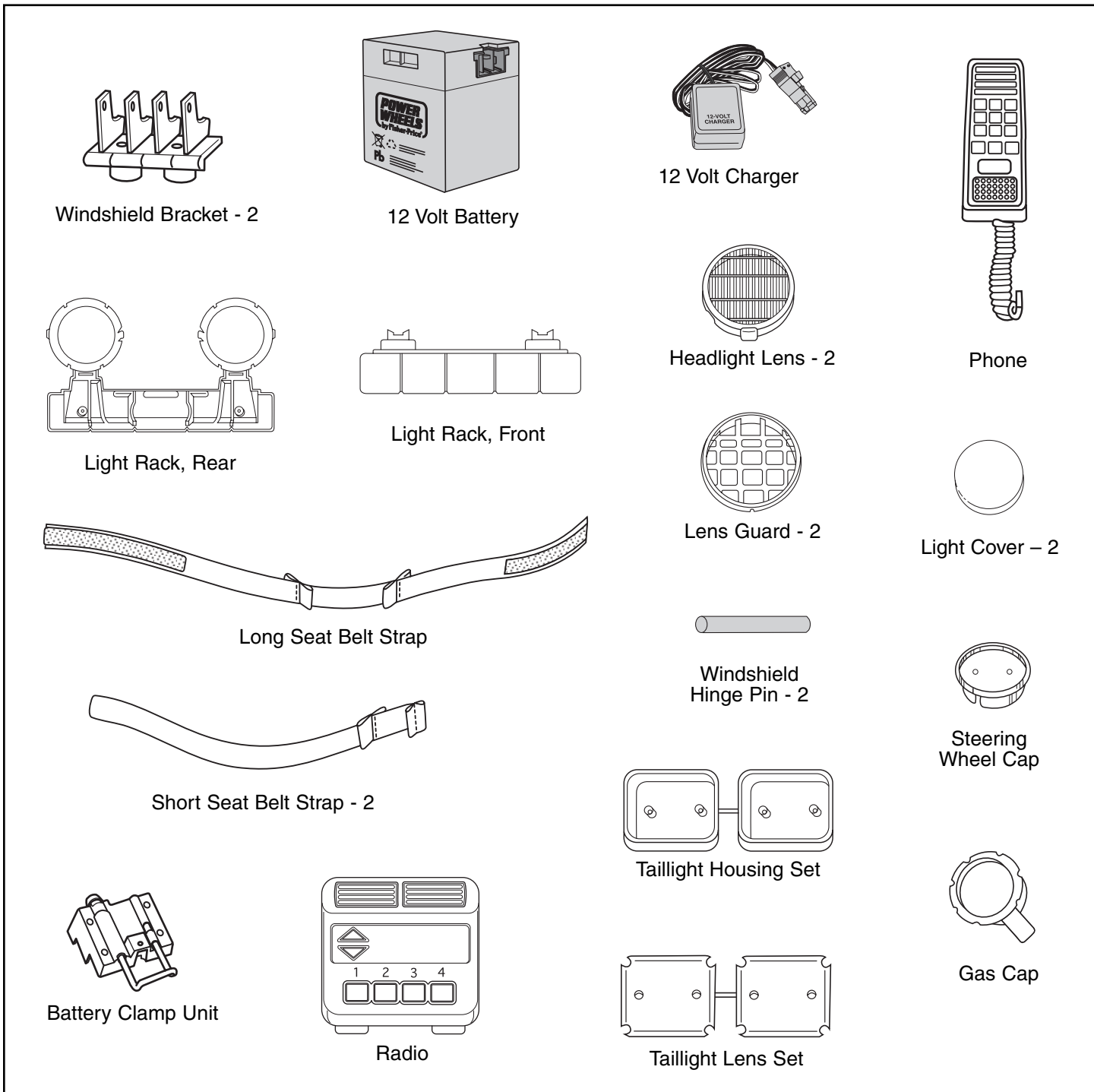
**CAUTION**

- In the unassembled state, this package contains small parts. Adult assembly is required.
- Use the charger in dry locations only.

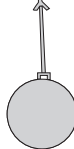
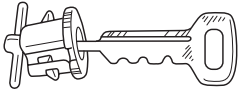

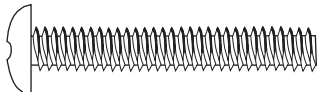



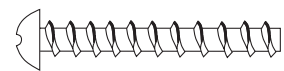



# C

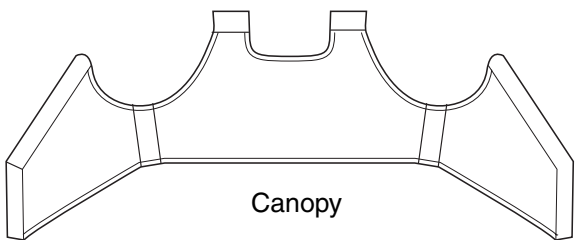
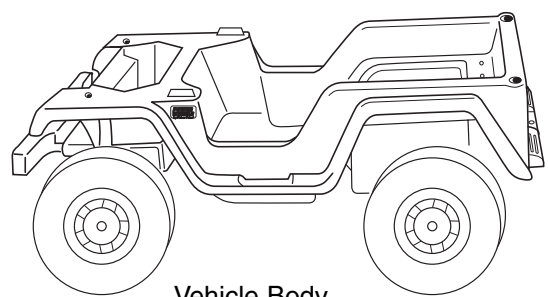

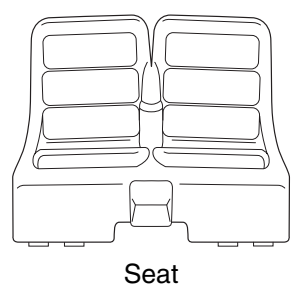
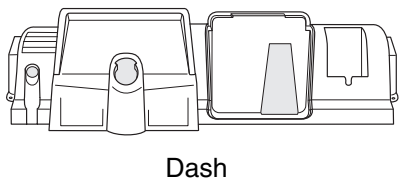
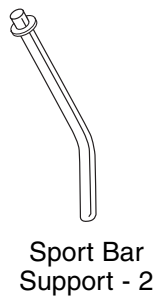

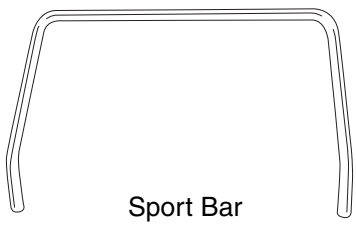
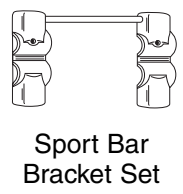
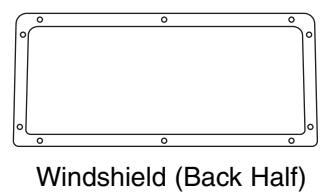
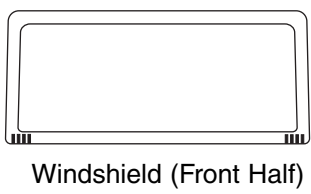
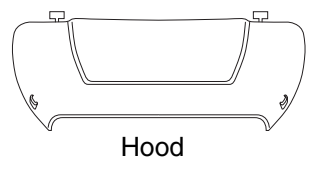
## Parts

- If you experience a problem with this product, or are missing a part, please call us at **1-800-348-0751**, rather than return this product to the store.
- Please identify all parts before assembly and save all packaging material until assembly is complete to ensure that no parts are discarded.
- Metal parts have been coated with a lubricant to protect them during shipment. Wipe all metal parts with a paper towel to remove any excess lubricant.



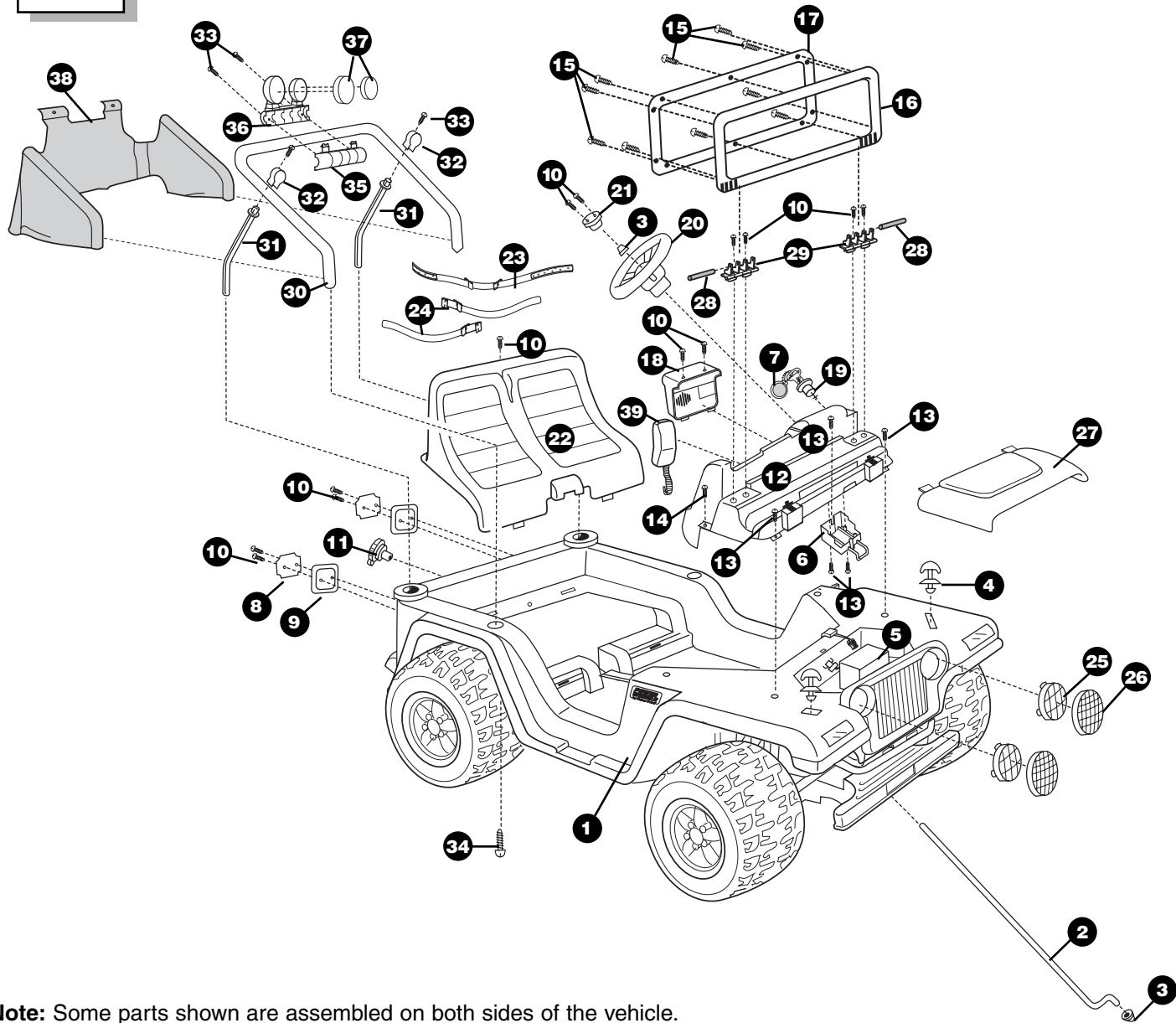
# Parts

 <p>Key Chain</p>  <p>Key Assembly</p>  <p>Hood Latch - 2</p>	 <p>1 1/2" x 1/4" Machine Screw - 2</p>  <p>#6 x 1 1/2" Screw - 4</p>  <p>#8 x 1" Screw - 13</p>  <p>#10 x 1/2" Screw - 2</p>  <p>#8 x 1 1/4" Screw - 10</p>  <p>.354 Cap Nut - 2*</p>   <p>#10 x 1" Screw - 5</p> <p style="text-align: center;"><b>All Shown Actual Size</b></p> <p style="text-align: center;">*For your convenience, an extra .354 cap nut has been included.</p>
--	--

 <p>Canopy</p>	 <p>Vehicle Body</p>
 <p>Steering Column</p>	 <p>Seat</p>
 <p>Dash</p>	 <p>Sport Bar Support - 2</p>
 <p>Steering Wheel</p>	 <p>Sport Bar</p>
 <p>Sport Bar Bracket Set</p>	 <p>Windshield (Back Half)</p>
 <p>Windshield (Front Half)</p>	 <p>Hood</p>
<p><b>Not Shown:</b> Label Sheet - 2</p>	

# D

## Parts Diagram



**Note:** Some parts shown are assembled on both sides of the vehicle.

No.	Part	Quantity	No.	Part	Quantity	No.	Part	Quantity
1	Vehicle Body	1	14	#10 x 1/2" Screw	2	27	Hood	1
2	Steering Column	1	15	#8 x 1 1/4" Screw	10	28	Windshield Hinge Pin	2
3	.354 Cap Nut	2	16	Windshield (Front Half)	1	29	Windshield Bracket	2
4	Hood Latch	2	17	Windshield (Back Half)	1	30	Sport Bar	1
5	12 Volt Battery	1	18	Radio	1	31	Sport Bar Support	2
6	Battery Clamp Unit	1	19	Key Assembly	1	32	Sport Bar Bracket	2
7	Key Chain	1	20	Steering Wheel	1	33	#6 x 1 1/2" Screw	4
8	Taillight Lens	2	21	Steering Wheel Cap	1	34	1 1/2" x 1/4" Machine Screw	2
9	Taillight Housing	2	22	Seat	1	35	Light Rack, Front	1
10	#8 x 1" Screw	13	23	Long Seat Belt Strap	1	36	Light Rack, Rear	1
11	Gas Cap	1	24	Short Seat Belt Strap	2	37	Light Cover	2
12	Dash	1	25	Headlight Lens	2	38	Canopy	1
13	#10 x 1" Screw	5	26	Lens Guard	2	39	Phone	1

# E

## Battery Charging

### ELECTRICAL HAZARD

#### WARNING

- Battery can fall out and injure a child if vehicle tips over. Always use battery clamp.
- **PREVENT FIRE**
  - Never modify the electrical system. Alterations could cause a fire resulting in serious injury and could also ruin the electrical system.
  - Use of the wrong type battery or charger could cause a fire or explosion resulting in serious injury.
  - Use of Power Wheels® components in products other than Power Wheels® vehicles could cause overheating, fire or explosion.
- The battery must be handled by adults only. The battery is heavy and contains sulfuric acid (electrolyte). Dropping the battery could result in serious injury.
- Never allow children to charge the battery. Battery charging must be done by adults only. A child could be injured by the electricity involved in charging the battery.
- Never lift or carry the battery by the wires or connector. This can damage the battery and possibly cause a fire resulting in serious injury. Lift and carry the battery by the case only.
- Read the safety instructions on the battery.
- Examine the battery, charger and their connectors for excessive wear or damage each time you charge the battery. If damage or excessive wear is detected, do not use the charger or the battery until you have replaced the worn or damaged part.

#### CAUTION

Use the charger in dry locations only.

#### About Thermal Fuses

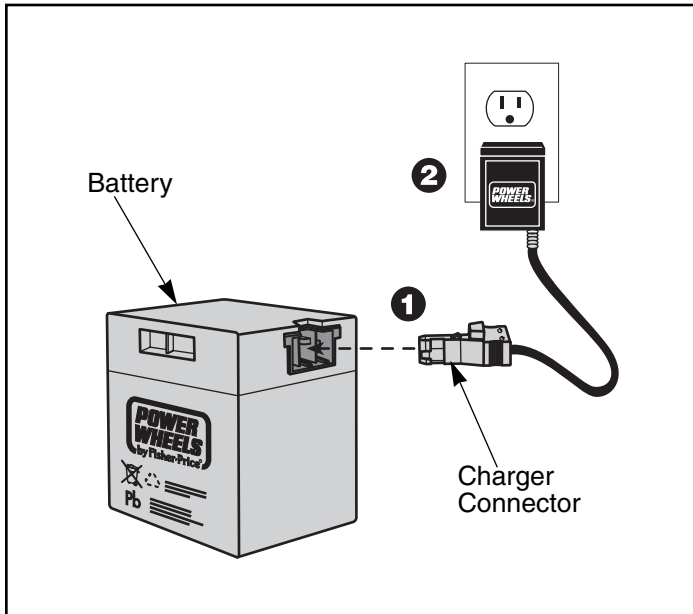
Your Power Wheels® 12 volt battery is equipped with a built-in thermal fuse. The thermal fuse is a self-resetting safety device which automatically “trips” and shuts down operation of the vehicle if the vehicle is overloaded or the driving conditions too severe. Once a fuse has “tripped”, it will automatically reset itself after approximately 25 seconds and allow the vehicle to resume normal operations. To avoid repeated automatic shutdowns, do not overload the vehicle by exceeding the 130 lb. (60 kg) maximum weight capacity or by towing anything behind the vehicle. Avoid severe driving conditions, such as driving up very steep slopes or running into fixed objects, which can cause the wheels to stop spinning while power is still being supplied to the motors. Make sure your child stops the vehicle before switching speeds or direction.

If a thermal fuse in a battery continually trips under normal driving conditions, please contact your local Power Wheels® Authorized Service Center. For the location of the Authorized Service Center nearest to you, see page 28.

#### Important Notes

- Your new battery must be charged for at least 18 hours before you use it in your vehicle for the first time.
- You do not need to remove the battery from your vehicle to recharge it.
- The battery must be upright while charging.
- The charger is not a toy.
- Do not short circuit the battery.
- We recommend that you start charging your battery before beginning assembly of your new vehicle.
- Before charging the battery, examine the battery case for cracks and other damage which may cause sulfuric acid (electrolyte) to leak during the charging process. If damage is detected, do not charge the battery or use it in your vehicle. Battery acid is very corrosive and can cause severe damage to surfaces it contacts.
- Do not charge the battery on a surface which could be damaged by the acid contained inside the battery. Take precautions to protect the surface on which you charge your battery.
- Use only a Power Wheels® 12 volt charger with type “12V” connector (120 VAC 60 Hz 28W with an output of 12 VDC 1200mA) to charge your Power Wheels® rechargeable 12 volt battery.

## Battery Charging



- Plug the charger connector into the battery ❶.
- Plug the charger into a standard 120 volt wall outlet ❷.

**Note:** If power flow to the wall outlet is controlled by a switch, make sure the switch is "ON".

- Before first-time use, charge the battery for **at least 18 hours**. Never charge the battery longer than 30 hours.
- Recharge the battery for at least 14 hours after each use of your vehicle. Do not charge the battery longer than 30 hours.
- Once the battery is charged, pull firmly on the charger connector to disconnect it from the battery. Unplug the charger from the wall outlet. The battery is now ready to be installed in your vehicle. Please see the Battery Installation section on page 20 for detailed instructions on installing your battery. If your battery is already installed in your vehicle, simply re-connect the motor harness connector to the battery and lower and fasten the hood.

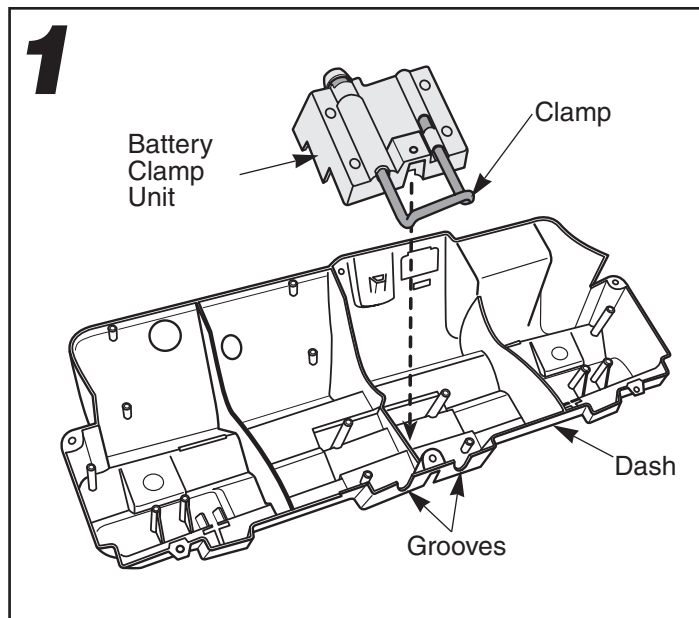
## F

## Assembly

### ! WARNING

Children can be harmed by small parts, sharp edges and sharp points in the vehicle's unassembled state, or by electrical items. Care should be taken in unpacking and assembly of the vehicle. Children should not handle parts, including the battery, or help in assembly of the vehicle.

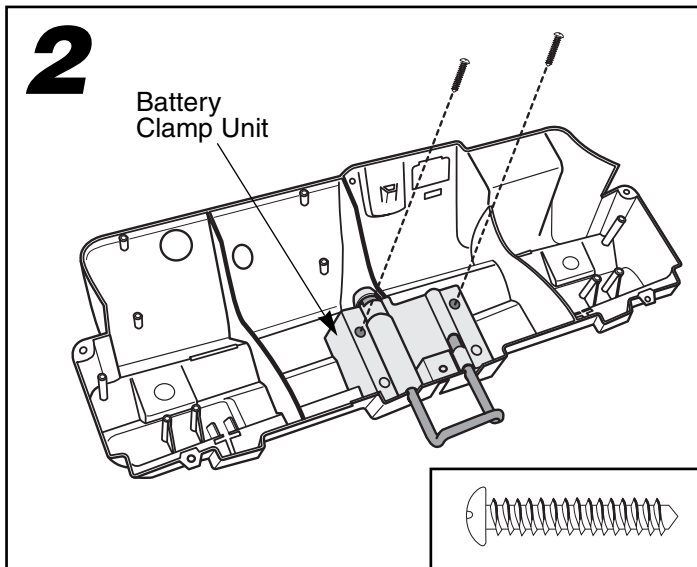
**IMPORTANT!** Assemble the battery retainer unit to the dash of your vehicle before beginning assembly of your vehicle. The battery retainer unit must be assembled to the dash before assembling the dash to the vehicle body.



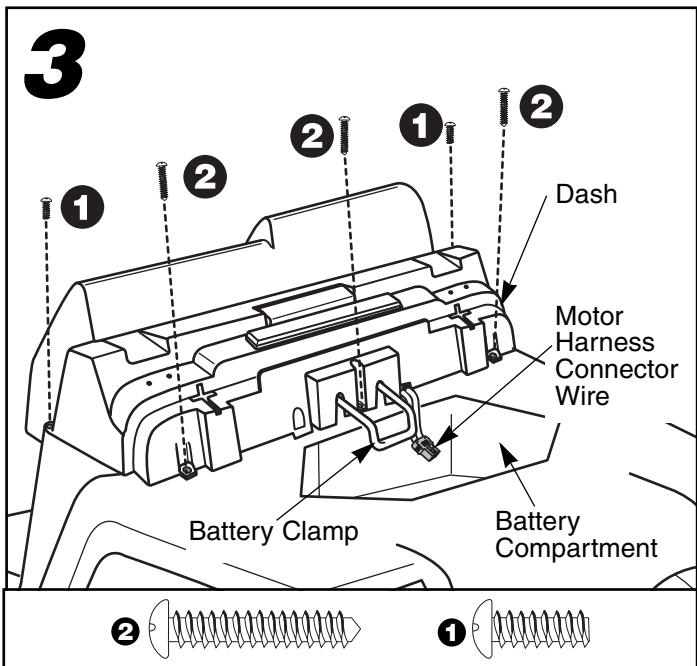
- Position the dash upside down.
- Fit the battery clamp unit into the underside of the dash so that the clamp fits into the grooves in the dash. Make sure the battery clamp unit is flush against the surface of the dash.



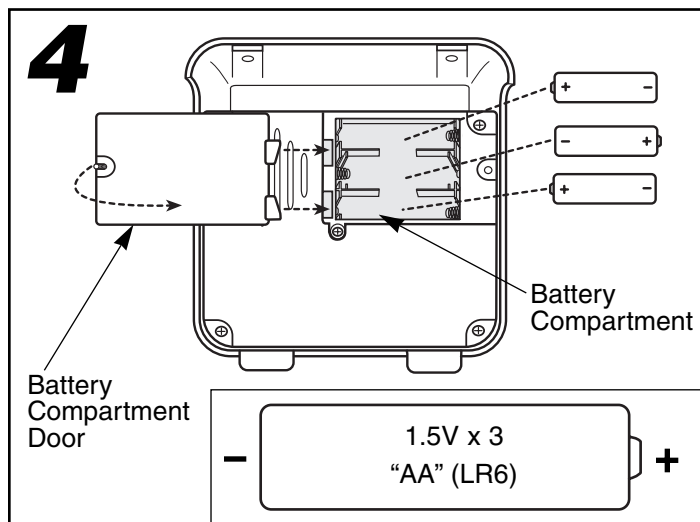
## Assembly



- Insert two #10 x 1" screws through the holes in the battery clamp unit and into the pegs in the dash.



- Position the dash on the vehicle body.
- Make sure the motor harness connector wire is through the groove in the dash.
- Insert a #10 x 1/2" screw through each of the two corner dash tabs nearest to the passenger compartment ①.
- Insert a #10 x 1" screw through the two dash tabs nearest to the battery compartment ②.
- Insert a #10 x 1" screw into the hole in the center of the dash, near the battery retainer clip ②.
- Tighten the screws with a Phillips screwdriver. Do not over-tighten.

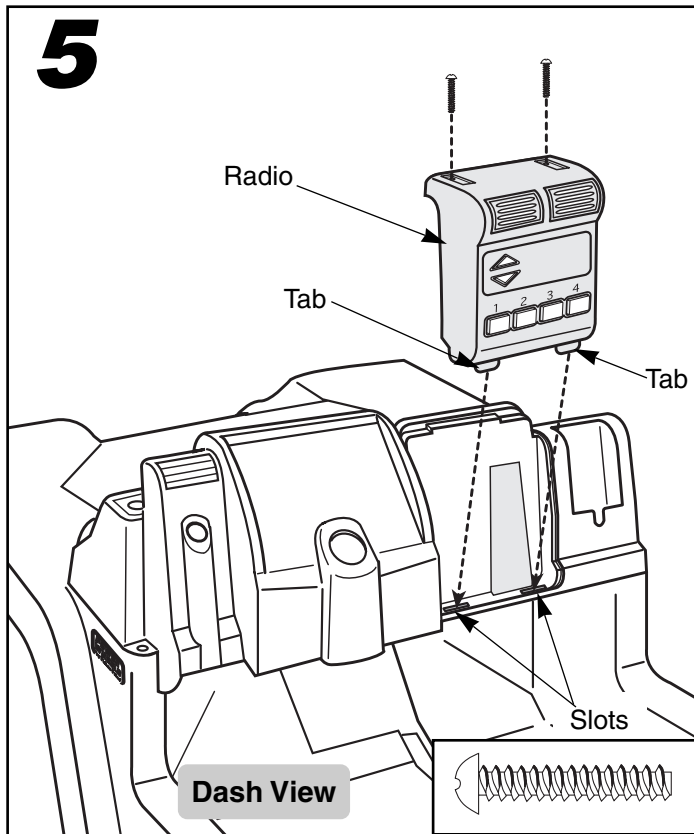


- Locate the battery compartment door on the back of the radio.
- Loosen the screw in the battery compartment door using a Phillips screwdriver and lift to open.
- Insert three "AA" (LR6) alkaline batteries, as indicated in the battery compartment.
- To replace the battery compartment door, fit the tabs on the door into the slots on the radio. Lower to close. Tighten the screws with a Phillips screwdriver. Do not over-tighten.

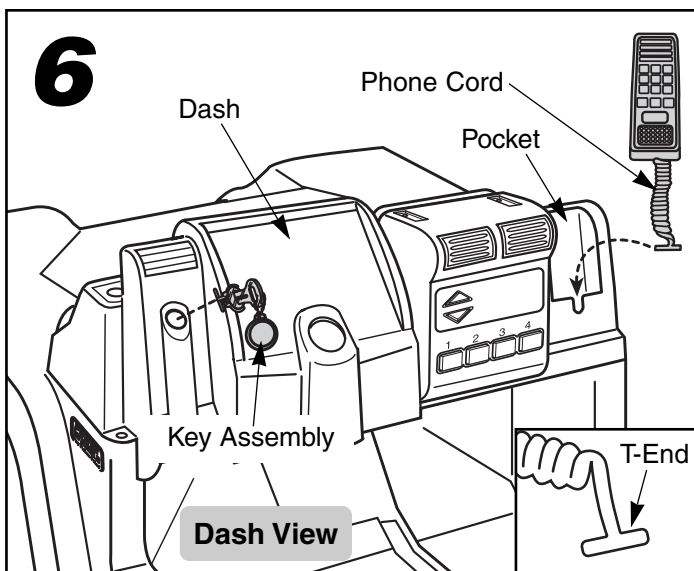
### Note:

- Do not mix old and new batteries.
- Do not mix different types of batteries: alkaline, standard (carbon-zinc) or rechargeable (nickel-cadmium).
- Remove batteries during long periods of non-use. Always remove exhausted batteries from this product. Battery leakage and corrosion can damage this product. Dispose of exhausted batteries safely.
- Never short circuit the battery terminals.
- Non-rechargeable batteries are not to be recharged.
- Only batteries of the same or equivalent type, as recommended above, are to be used.
- If removable rechargeable batteries are used, they are only to be charged under adult supervision.
- Rechargeable batteries are to be removed from this product before they are charged.
- Battery chargers used with toys must be examined regularly for damage to the cord, plug, enclosure and other parts. In the event that such damage is found, the toy must not be used with the battery charger until the damage has been repaired.

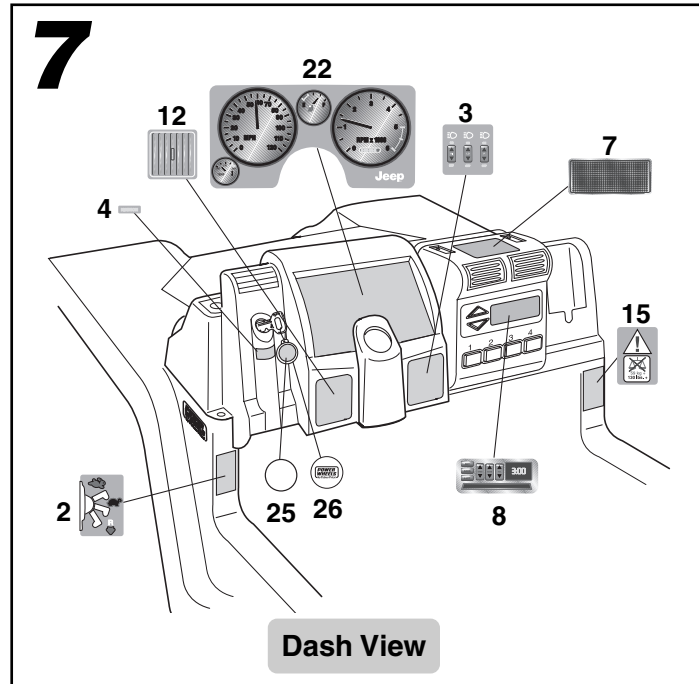
## Assembly



- Fit the tabs on the radio into the slots in the dash.
- Insert two #8 x 1" screws through the holes in the top of the radio and into the dash.
- Tighten the screws using a Phillips screwdriver. Do not over-tighten.



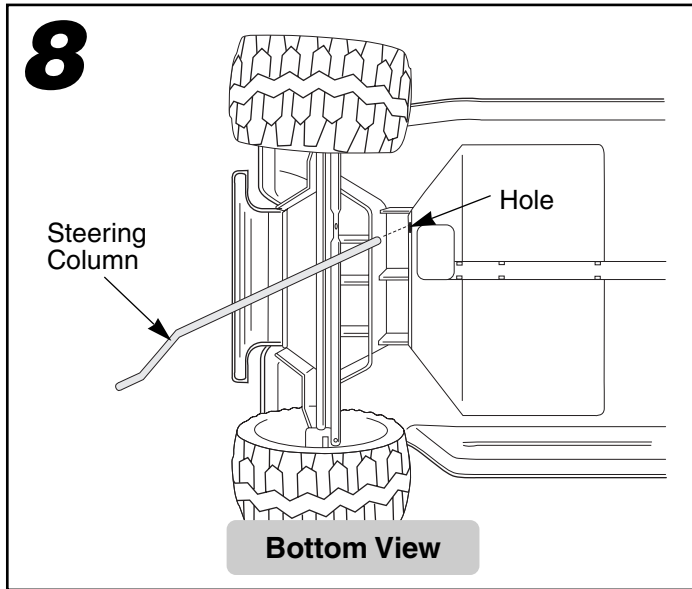
- Bend the end of the phone cord so that it forms a "T".
- Insert the end of the phone cord through the square opening in the dash pocket. Pull gently on the cord to make sure it is secure in the dash.
- Place the phone in the dash pocket.
- Snap the key assembly into the dash.



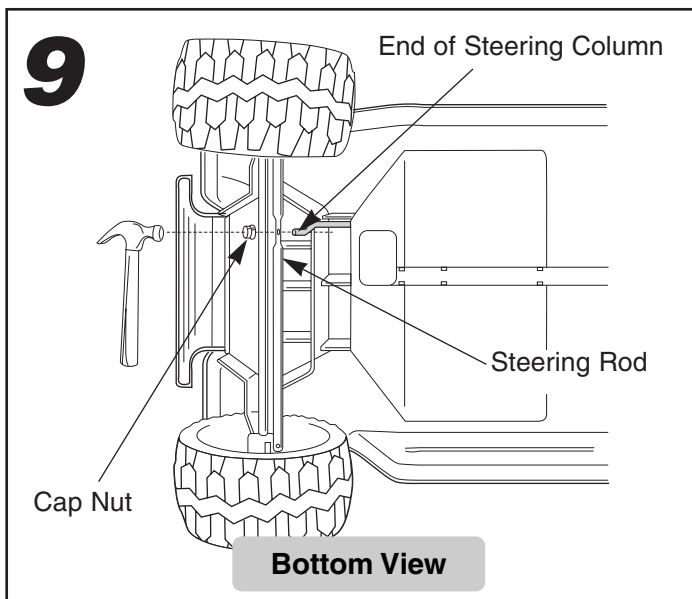
**Proper label application will help to keep the labels looking their best! When applying labels, keep the following guidelines in mind:**

- Wash your hands before applying the labels.
- Before applying the labels, wipe the surface of the vehicle with a clean, dry cloth to remove any dust or oils.
- Place the labels exactly as shown in the illustrations.
- For best results, avoid repositioning a label once it has been applied to the vehicle.
- **After applying a label, rub the label firmly with a clean, dry cloth to make sure the label is adhered to your vehicle. Start at the center of a label, and smooth towards the outer edges to remove air bubbles.**

## Assembly

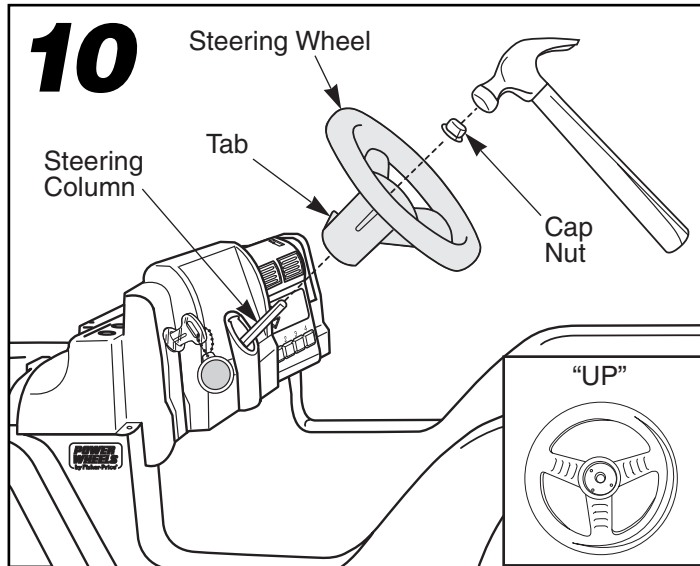


- Wipe the steering column with a paper towel to remove any excess lubricant.
- Turn the vehicle body on its side.
- Insert the straight end of the steering column up through the hole in the vehicle body wall and out through the hole in the dash.



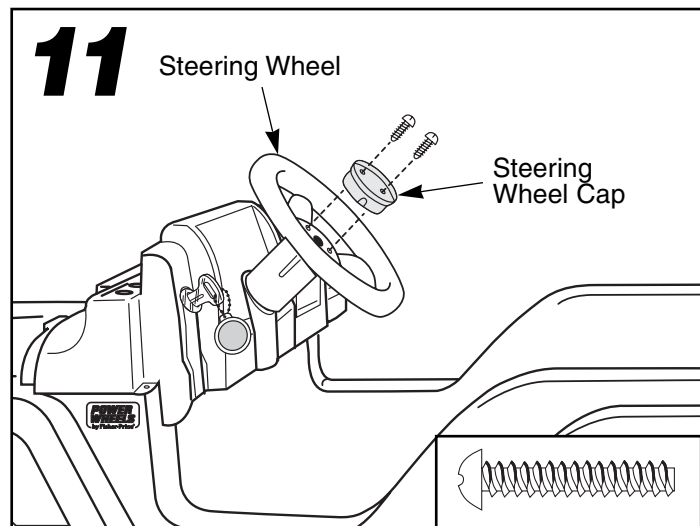
- Insert the end of the steering column through the hole in the steering rod.
- Fit a cap nut onto the end of the steering column.
- While supporting the steering column, tap the cap nut with a hammer to secure it on the steering column.

**Hint:** You may want the help of another person to support the steering column while you tap the cap nut with the hammer.



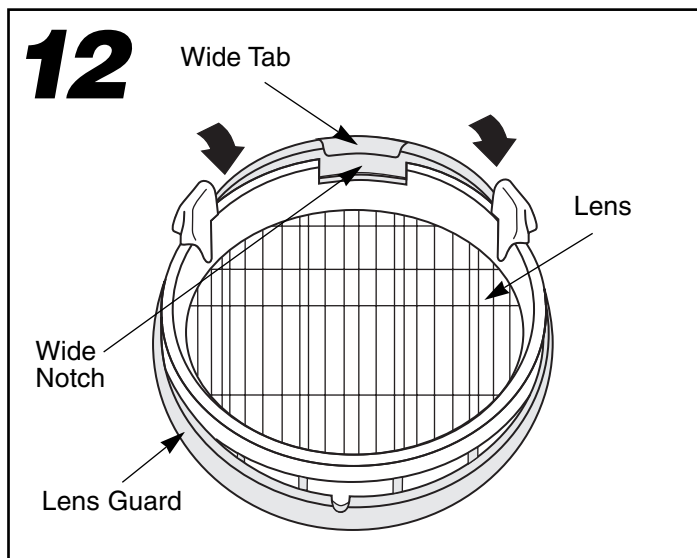
- Turn the vehicle body upright.
- Position the steering wheel so that the spokes form a "Y" as shown. The tab on the steering wheel stem should face up.
- Fit the steering wheel onto the steering column.
- Fit a cap nut onto the end of the steering column.
- Tap the cap nut with a hammer to secure it on the steering column.

**Hint:** You may want the help of another person to support the steering column while you tap the cap nut with the hammer.

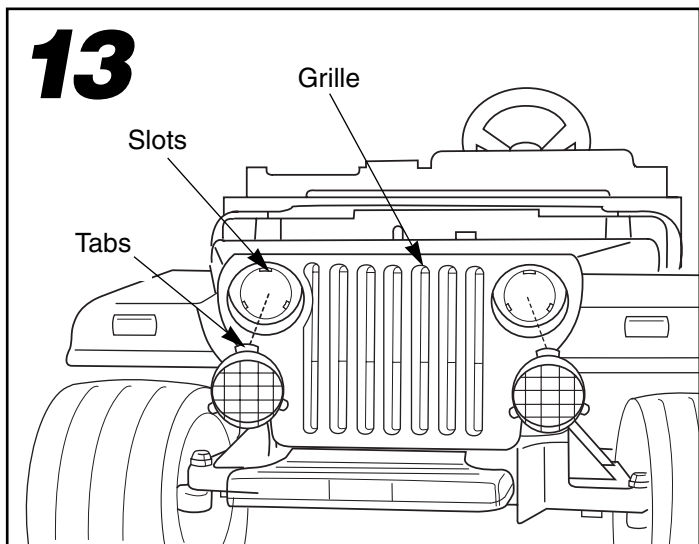


- Fit the steering wheel cap into the center of the steering wheel with the screw holes aligned.
- Insert two #8 x 1" screws as shown.
- Tighten the screws with a Phillips screwdriver. Do not over-tighten.

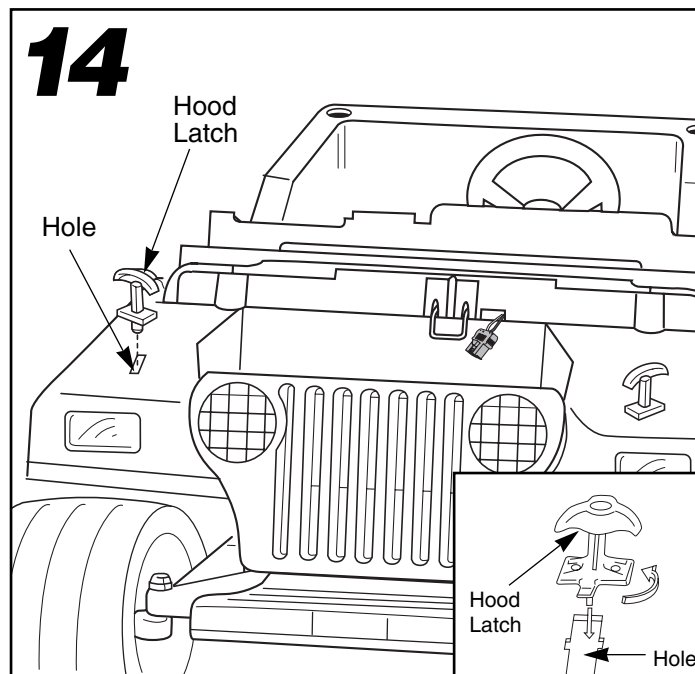
## Assembly



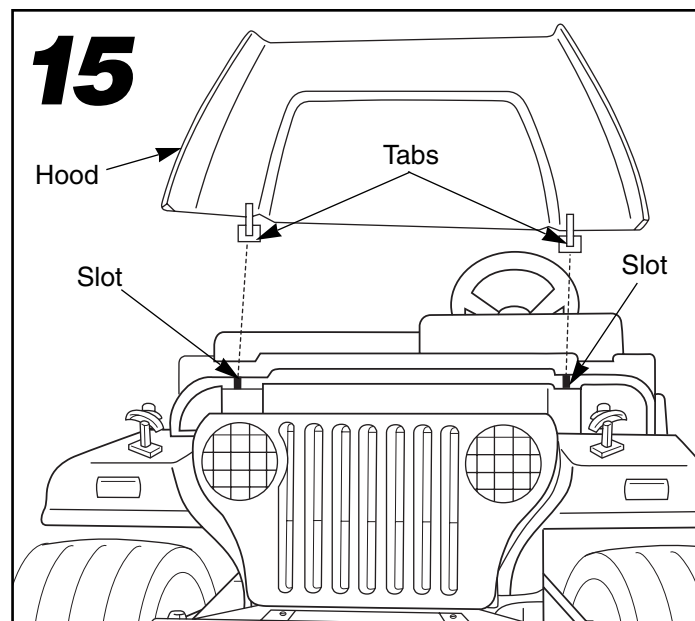
- Fit the wide notch in the side of a headlight lens under the wide tab on a lens guard.
- Press firmly on the inside of the headlight lens to snap it into the lens guard.
- Repeat this procedure to assemble the other headlight lens to the remaining lens guard.



- Fit the lens tabs on the back of a lens assembly into the headlight slots in the grille.
- Press firmly to snap the lens assembly into the grille.
- Repeat this procedure to snap the other lens assembly into the grille.

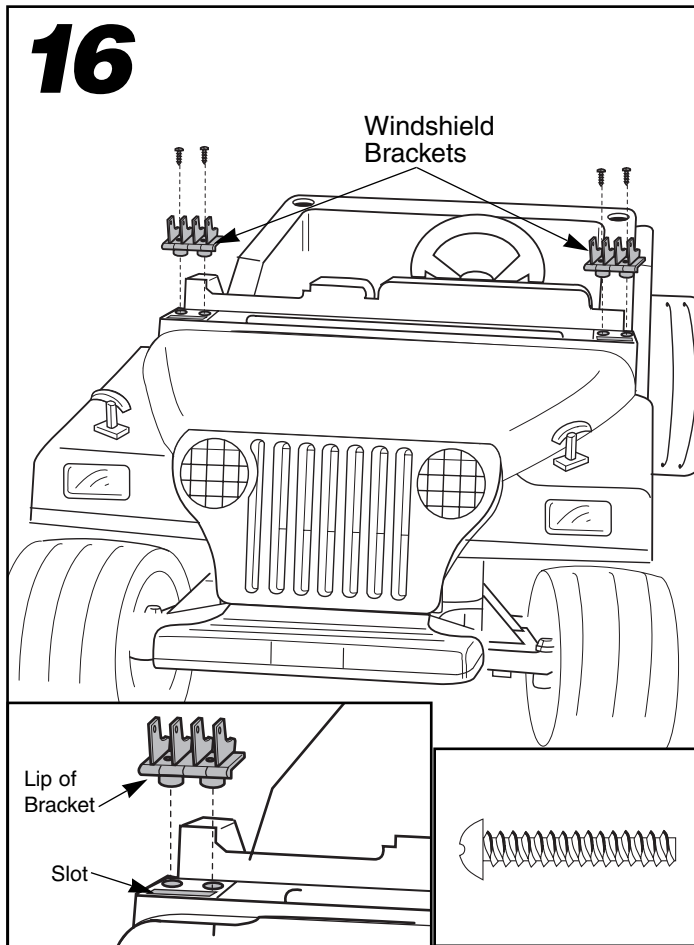


- Insert a hood latch into one of the holes in the vehicle body, near the hood area.
- Twist the base of the hood latch  $\frac{1}{4}$  turn to secure it in the vehicle body.
- Repeat this procedure on the other side of the hood area to attach the other hood latch to the vehicle body.

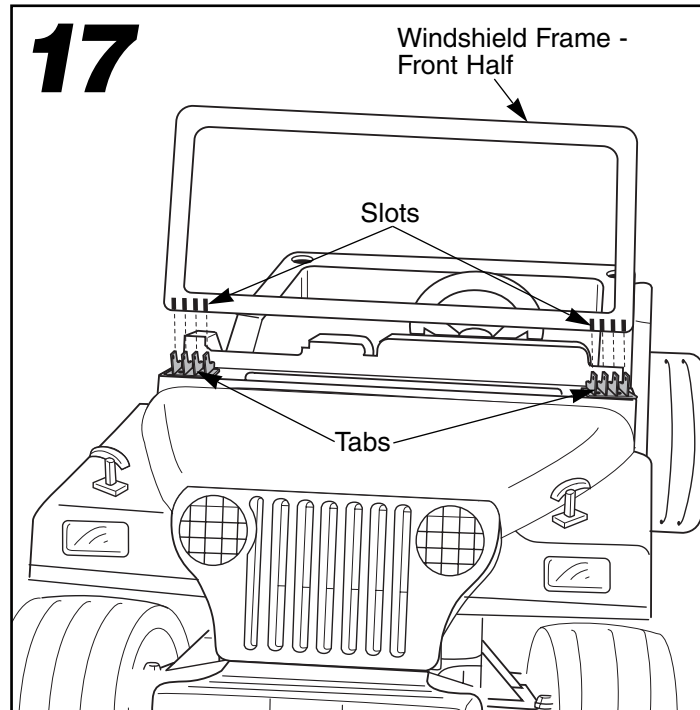


- Position the hood over the front of the vehicle body as shown.
- Insert the tabs on the hood into the slots in the vehicle body.
- Close the hood.

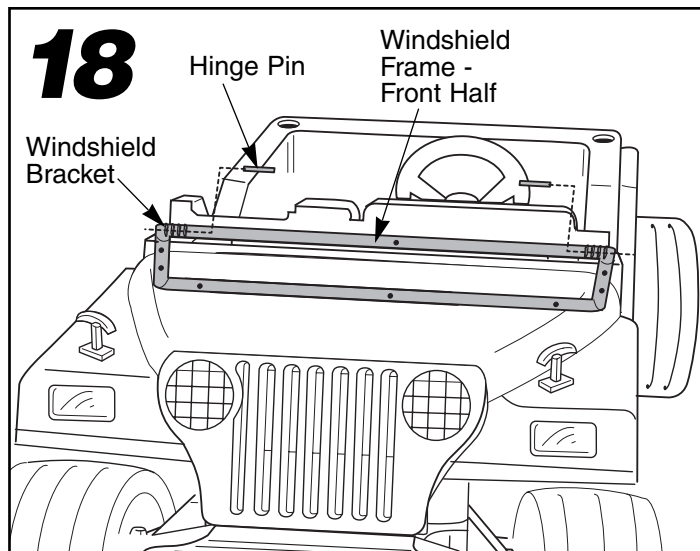
## Assembly



- Fit the screw pegs on the windshield brackets into the holes in the top surface of the dash. Press firmly to fit the lip on each windshield bracket into the slot in the top of the dash.
- Insert two #8 x 1" screws into each windshield bracket.
- Tighten the screws with a Phillips screwdriver. Do not over-tighten.

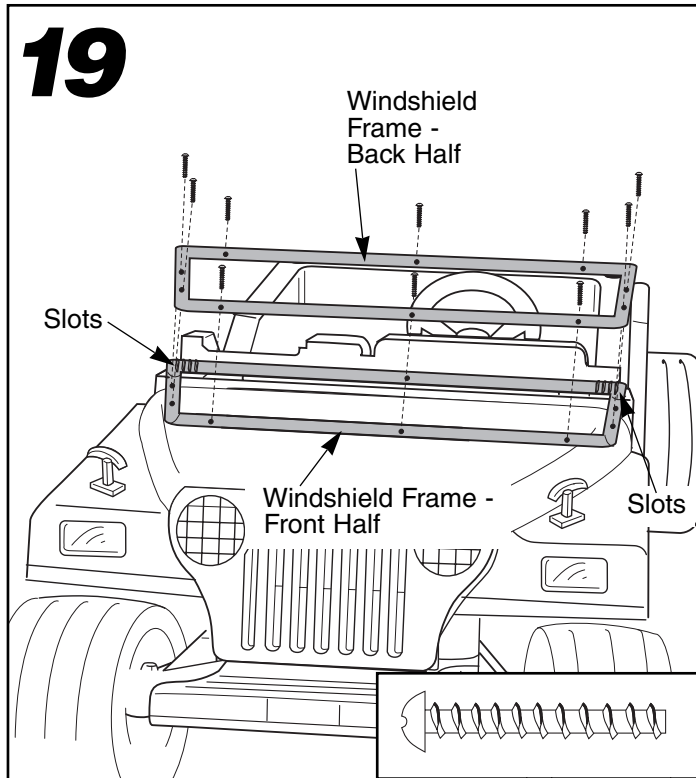


- Align the slots in the front half of the windshield frame with the tabs on the windshield brackets.
- Fit the front half of the windshield frame onto the windshield brackets as shown.



- Rotate the front half of the windshield frame down so it lays flat on the vehicle body.
- Working from the center of the vehicle, insert a hinge pin through the holes in the windshield frame and the holes in a windshield bracket, as shown.
- Repeat this procedure to secure the front half of the windshield frame to the other windshield bracket.

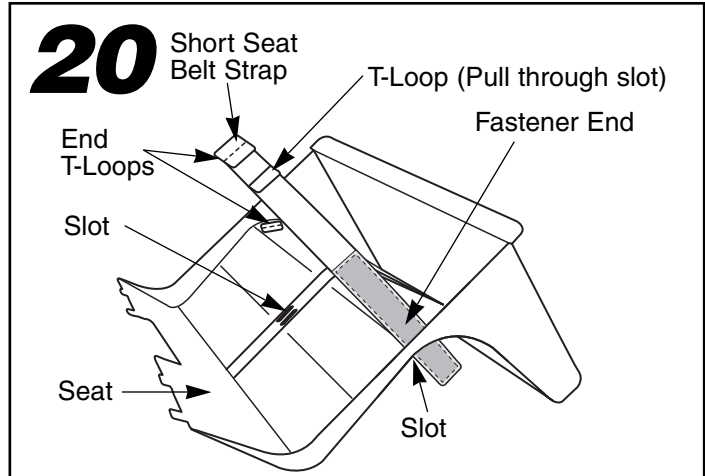
## Assembly



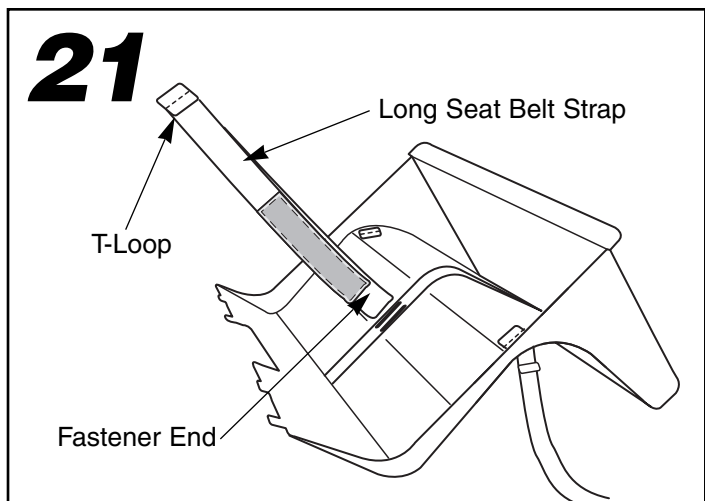
- Fit the back half of the windshield frame onto the front half of the windshield frame. Make sure the slots at the bottom of the two windshield frame halves are aligned.
- Insert ten #8 x 1/4" screws into the back half of the windshield frame.
- Tighten the screws with a Phillips screwdriver. Do not over-tighten.

**Hint:** Squeeze the two windshield halves together while tightening the screws.

- Lift the assembled windshield to the raised position.

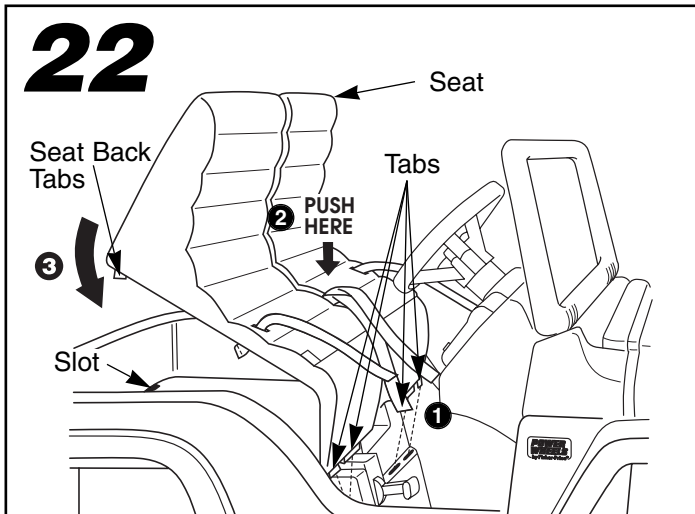


- Turn the seat upside down.
- Insert the fastener end of a short seat belt strap through the slot near the outer edge of the seat. Make sure the side of the seat belt with the fastener faces the outer edge of the seat.
- Pull the short seat belt strap completely through the slot until the last T-loop at the opposite end of the belt catches against the slot. You will pull one T-loop through the slot.
- Repeat this procedure to assemble the other short seat belt strap.

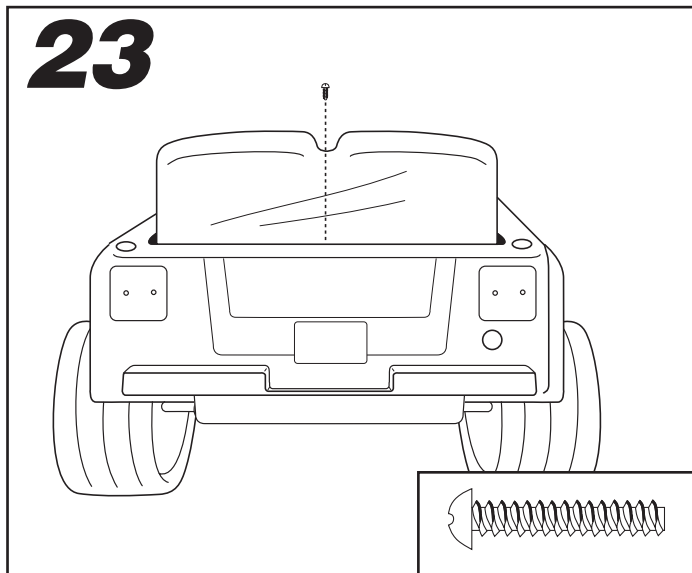


- Insert each fastener end of the long seat belt strap through a slot in the center of the seat. Make sure the fasteners face the outer edge of the seat.
- Pull each side of the long seat belt strap evenly through the slots. Make sure to pull each T-loop through a slot.
- Turn the seat upright.

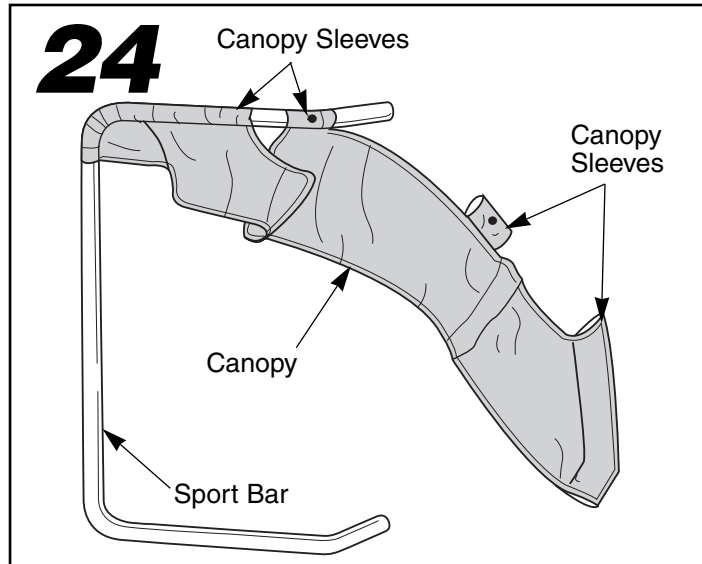
## Assembly



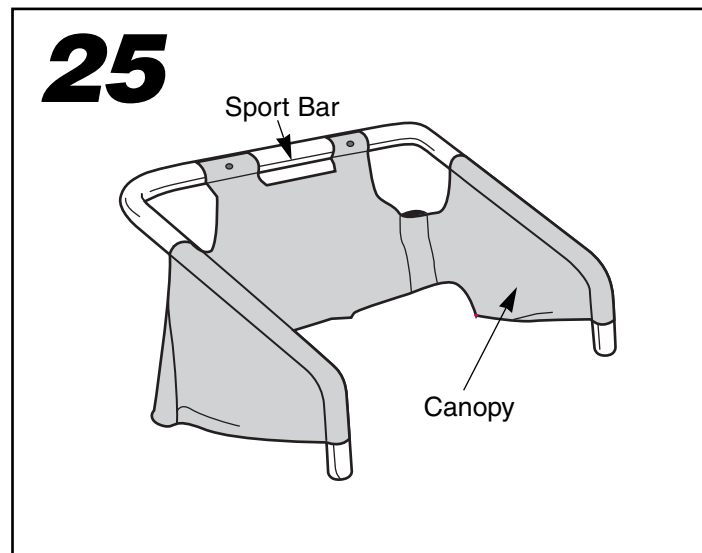
- With the seat at an angle, insert the tabs on the front edge of the seat into the slots in the foot-well wall ①.
- Push down firmly on the edge of the seat above each tab to snap the tabs into the slots ②.
- Rotate the back of the seat down ③ to snap the seat back tabs into the slots in the vehicle body. Push down firmly on the seat back.



- Insert a #8 x 1" screw into the rear of seat, as shown.
- Tighten the screw with a Phillips screwdriver. Do not over-tighten.

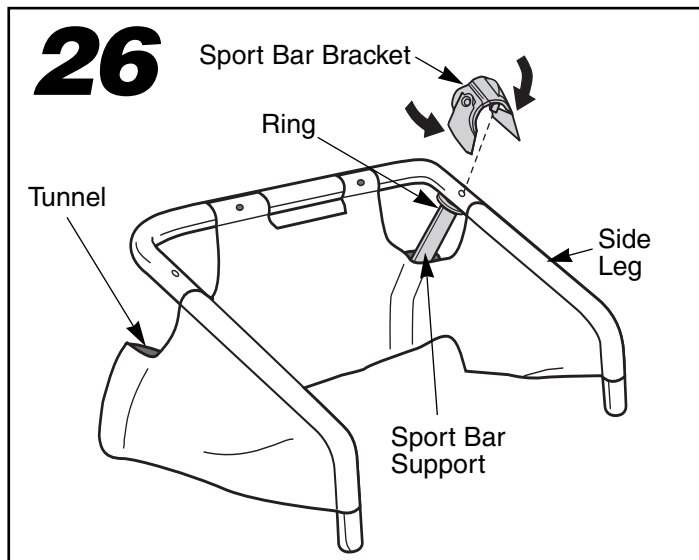


- Position the sport bar on its side so that the sport bar ends curve away from you.
- Position the canopy opposite the sport bar with the netting facing away from you.
- Slide the four canopy sleeves onto the sport bar.

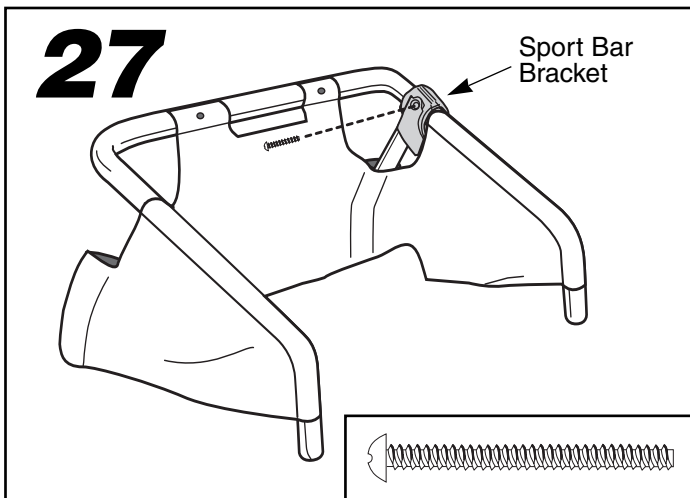


- Extend the canopy completely around the sport bar.

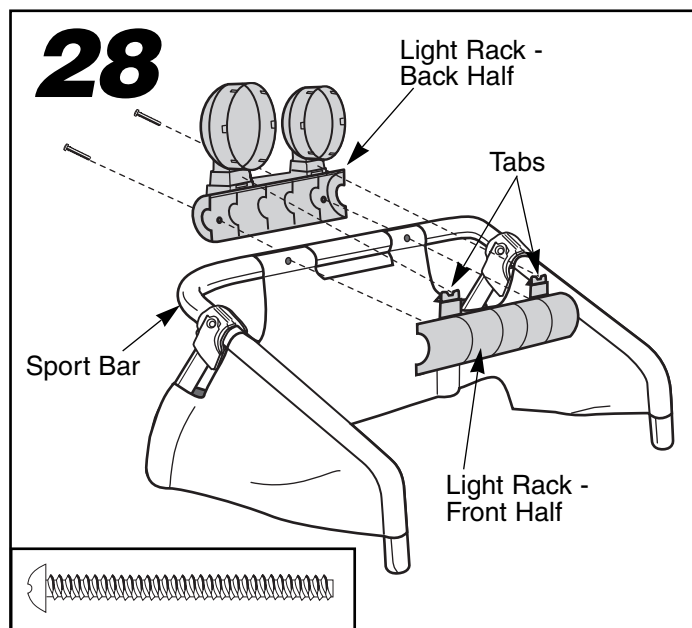
## Assembly



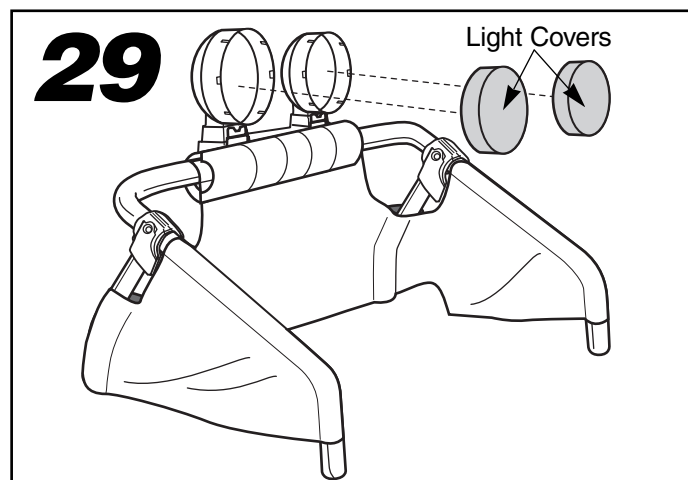
- Using safety scissors, remove the sport bar brackets from the plastic connector. Dispose of the plastic connector.
- Position the sport bar upright.
- Fit a sport bar support through a tunnel in a rear corner of the canopy. Make sure the ring end of the sport bar support is positioned toward the sport bar.
- Position a sport bar bracket above one of the sport bar side legs, as shown.
- Fit the ring on the sport bar support against the end of the sport bar bracket.
- Fold the sport bar bracket over the sport bar to close it around the sport bar and sport bar support.



- Insert a #6 x 1 $\frac{1}{2}$ " screw into the sport bar bracket.
- Tighten the screw with a Phillips screwdriver. Do not over-tighten.
- Repeat steps 26 and 27 to attach the other sport bar support to the other sport bar side leg.



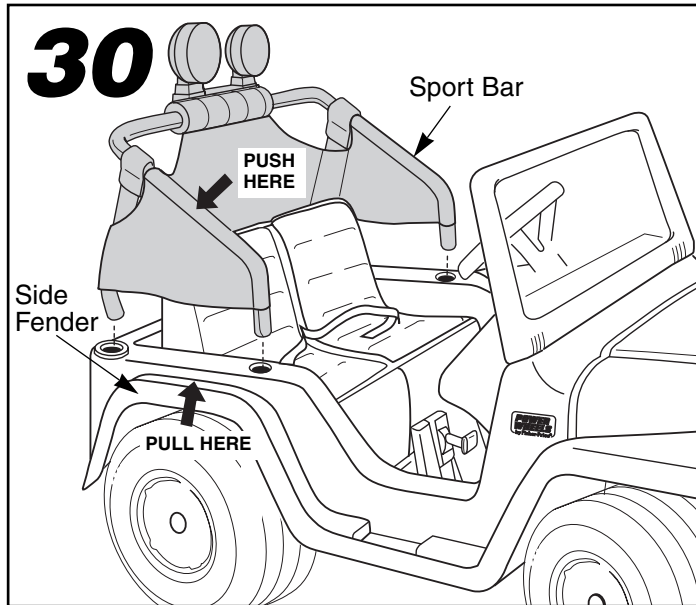
- Position the sport bar upright, as shown.
- Fit and hold the front and back halves of the light rack against the sport bar. Make sure the two light rack halves are aligned, and that the screw holes in the light rack are aligned with the screw holes in the canopy and the sport bar.
- Snap the tabs on the front half of the light rack into the slots below the light housings on the rear half of the light rack.
- Insert two #6 x 1 $\frac{1}{2}$ " screws through the holes in the back of the light rack, through the sport bar, and into the front half of the light rack.
- Tighten the screws with a Phillips screwdriver. Do not over-tighten.



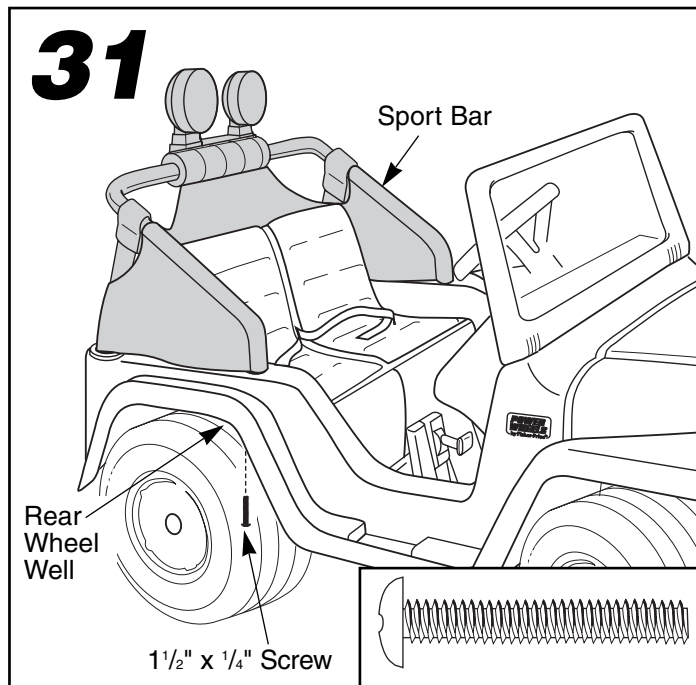
- Align the tabs on the inside of a light cover with the slots in one of the light housings on the light rack. Make sure the light covers are positioned with the wide spaced tabs towards the top.
- Push firmly on the light cover to snap it to the light housing.
- Repeat this procedure on the other side of the light rack to assemble the other light.



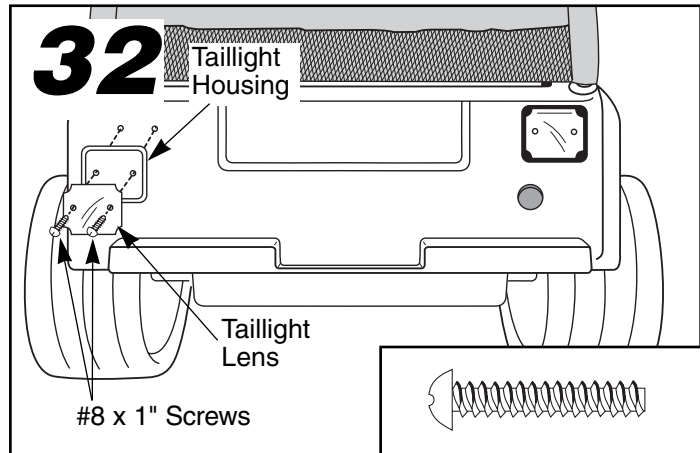
## Assembly



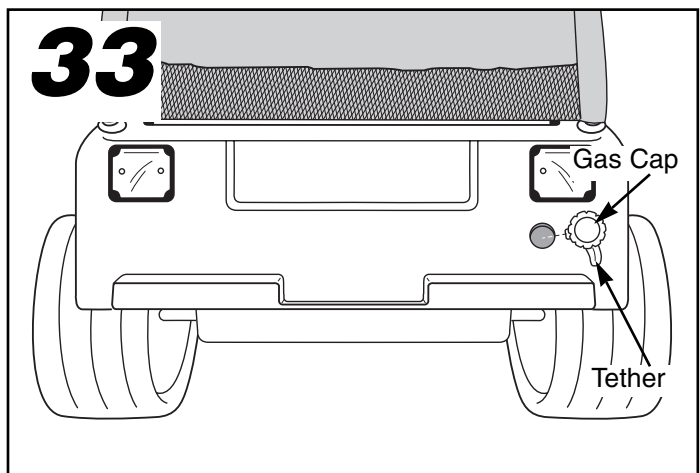
- Fit the sport bar and sport bar support legs into the holes in the vehicle body.
- Push down firmly on a sport bar side leg while pulling up on the side fender to fit the sport bar into the vehicle body.
- Repeat this procedure on the other side of the vehicle body.



- Insert a 1 1/2" x 1/4" machine screw into the hole closest to the front of the vehicle in the underside of the rear wheel well, through the vehicle body and into the end of the sport bar.
- Tighten the screw with a Phillips screwdriver. Do not over-tighten.
- Repeat this procedure on the other side of the vehicle body.



- Using safety scissors, remove the taillight lenses and the taillight housings from the plastic connectors. Dispose of the plastic connectors.
- Face the rear of the vehicle.
- Fit a taillight lens inside a taillight housing.
- Position the taillight housing with lens against the vehicle body with the screw holes aligned, as shown.
- Insert two #8 x 1" screws through the taillight lens and housing and into the vehicle body as shown.
- Tighten the screws with a Phillips screwdriver. Do not over-tighten.
- Repeat this procedure to attach the other taillight.



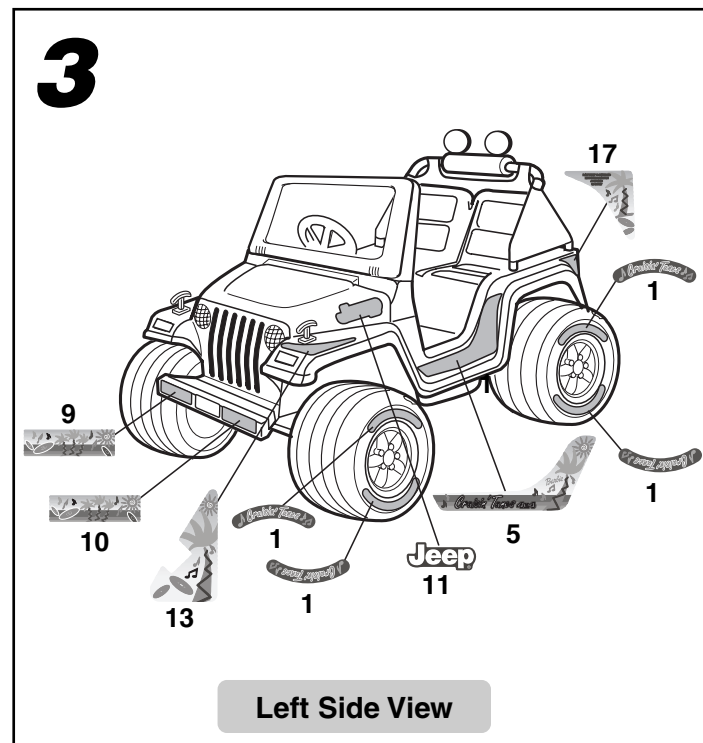
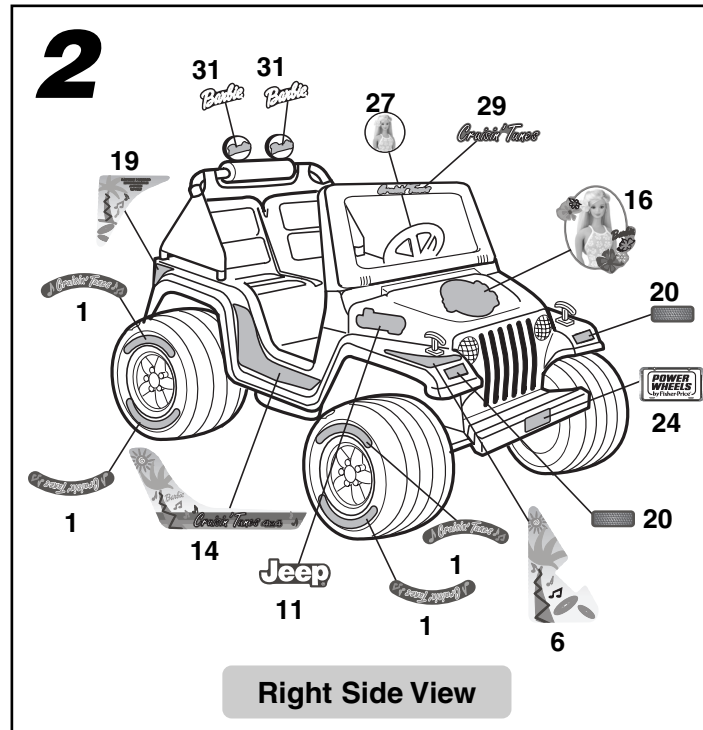
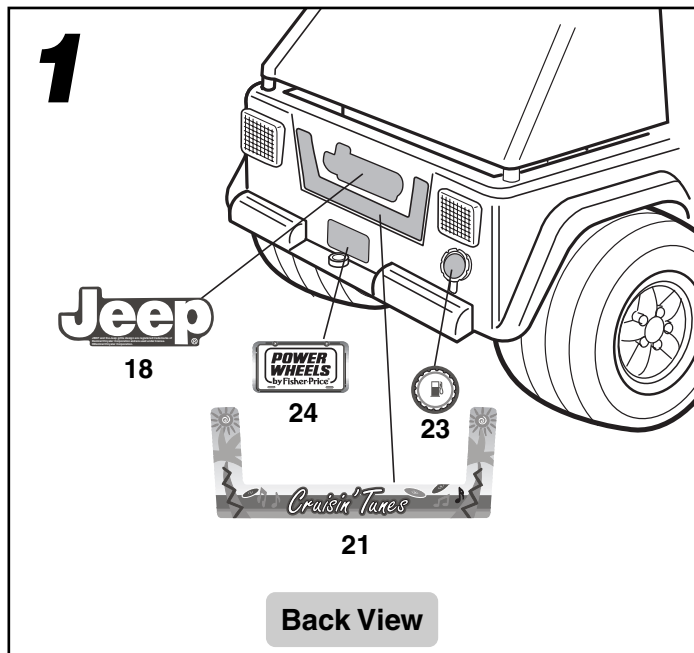
- Position the gas cap so that its tether points down.
- Snap the gas cap into the hole under the right taillight.

# G

## Label Decoration

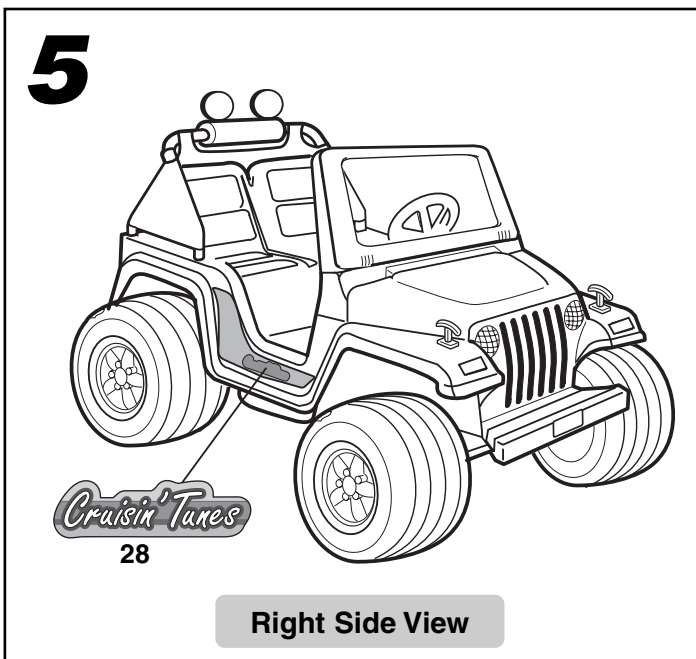
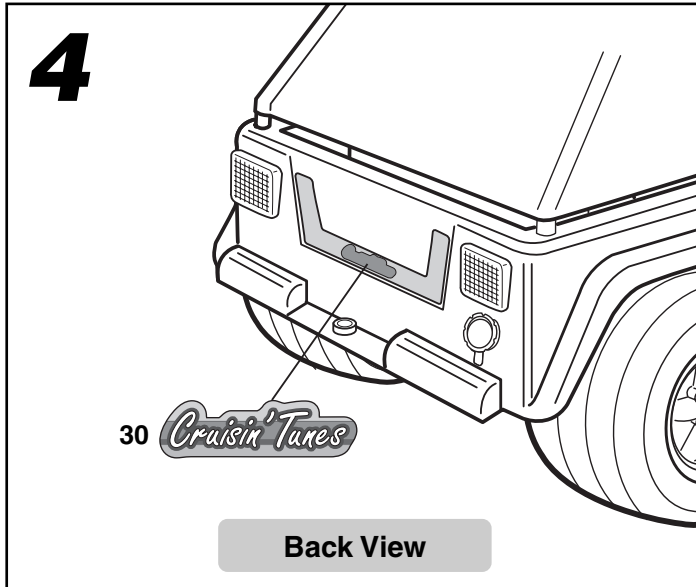
Proper label application will help to keep the labels looking their best! When applying labels, keep the following guidelines in mind:

- Wash your hands before applying the labels.
- Before applying the labels, wipe the surface of the vehicle with a clean, dry cloth to remove any dust or oils.
- Place the labels exactly as shown in the illustrations.
- For best results, avoid repositioning a label once it has been applied to the vehicle.
- **After applying a label, rub the label firmly with a clean, dry cloth to make sure the label is adhered to your vehicle. Start at the center of a label, and smooth towards the outer edges to remove air bubbles.**



## Label Decoration

After applying the labels as shown in illustrations 1, 2 and 3, apply labels as shown in illustrations 4, 5 and 6 to add *sparkle* to your vehicle.



One-time assembly is now complete.

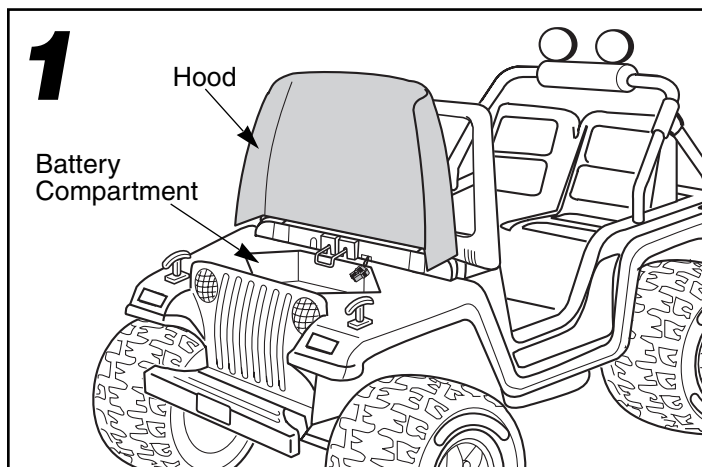
### IMPORTANT!

- Please carefully read the owner's information in this manual and teach your child about proper vehicle operation and rules for safe driving before allowing operation of this vehicle.
- For safety reasons, your vehicle has been pre-set so that it will only operate at low speed (2½ mph, maximum). Make sure that your child can safely operate this vehicle at low speed before removing the high speed lock-out screw to allow operation of the vehicle at high speed (5 mph, maximum). **To disconnect high speed lock-out, please see page 24.**

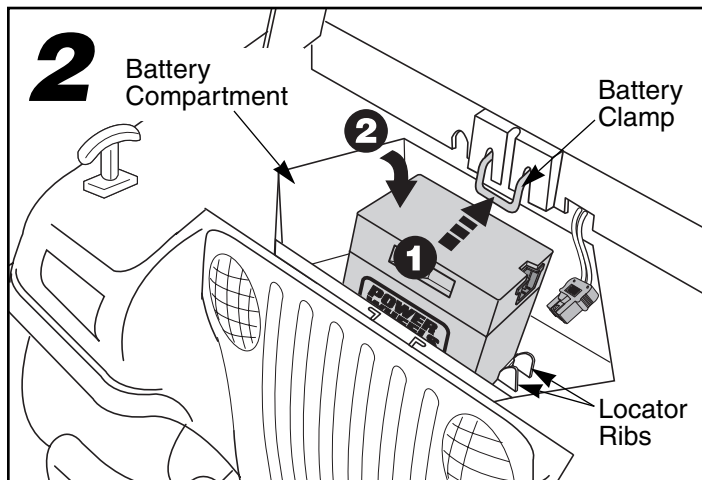
# H

## Battery Installation

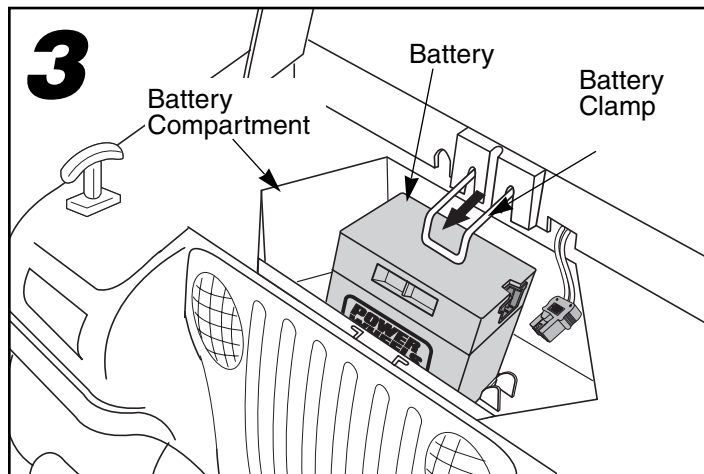
**IMPORTANT!** Use only a Power Wheels® 12 volt battery. Use of any other battery will damage your vehicle. Make sure that you charge the battery for at least 18 hours using the enclosed Power Wheels® 12 volt charger before operating your vehicle for the first time. Charge the battery for at least 14 hours after each use of the vehicle. Never charge the battery longer than 30 hours. Failure to follow these instructions may damage your battery and will void your warranty. It is easier to install the battery before assembling the hood to your vehicle. If you have already assembled the hood to your vehicle, you may want to remove it to install the battery.



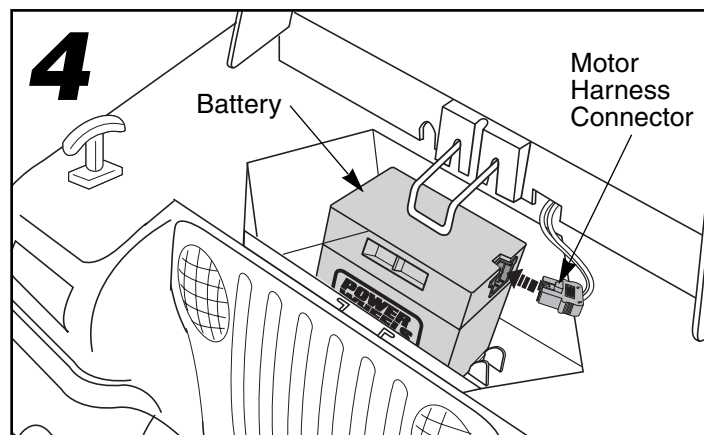
- Lift the hood to access the battery compartment.



- Press the battery clamp to slide it into the dash ①.
- While holding the battery clamp against the dash, place the battery in the battery compartment ②. Make sure the battery is upright and positioned between the locator ribs at the bottom of the battery compartment.

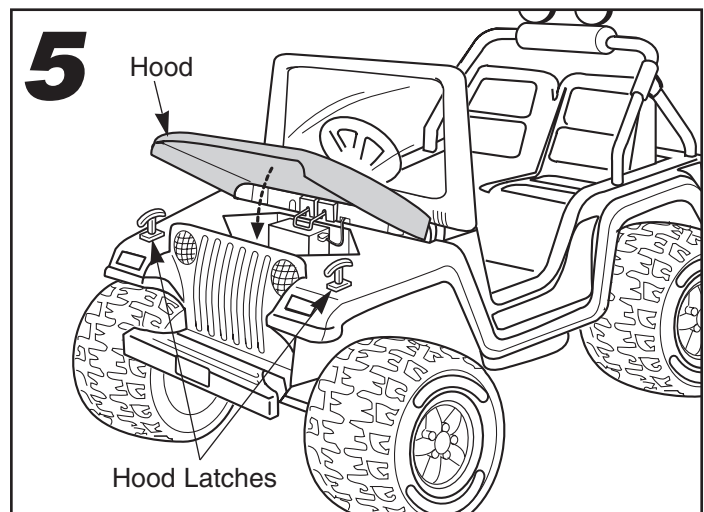


- Release the battery clamp. Make sure the battery clamp slides over the top of the battery. If the battery clamp does not slide over the top of the battery, reposition the battery in the battery compartment. (See step 2.)



- Plug the motor harness connector into the battery. **Push firmly to make sure the connectors are completely joined.**

*Hint:* To remove a battery from the battery compartment, disconnect the motor harness connector from the battery. Press and hold the battery clamp against the dash and lift the battery from the battery compartment.



20

- Lower the hood and secure the hood latches.

## I

## Battery Care and Disposal

### Care

**If a battery leak develops**, avoid contact with the leaking acid and place the damaged battery in a plastic bag. Please refer to the information on this page for proper disposal.

**If acid comes in contact with skin or eyes**, flush with cool water for at least 15 minutes and call a physician.

**If acid is internally ingested**, give water, milk of magnesia or egg whites immediately. Never give emetics or induce vomiting. Call a physician.

- Charge a new battery for at least 18 hours before first use. Never charge the battery longer than 30 hours. Overcharging or undercharging the battery may shorten battery life and decrease vehicle running time.
- After the first charge, recharge the battery for at least 14 hours after each use. Never charge the battery longer than 30 hours. Charge the battery after each use, regardless of how long the vehicle was used.
- The battery must be upright while charging.
- Do not allow the battery to run down completely before charging.
- Charge the battery before storing the vehicle.
- Charge the battery at least once per month, even if the vehicle has not been used.
- Leaving the battery in a discharged condition will ruin it.
- Do not store the battery in temperatures above 75° F or below -10° F.
- Prevent the battery from moving freely inside the battery compartment. Always use the battery clamp to secure the battery in the battery compartment.
- Examine the battery, charger and its connector for excessive wear or damage each time you charge the battery. If damage is detected, do not use the charger or the battery until you have replaced the worn or damaged part.

### Disposal



- Your Power Wheels® battery is a sealed lead-acid battery. It must be recycled or disposed of in an environmentally sound manner.
- Do not dispose of a lead-acid battery in your regular, household trash. The incineration, landfilling or mixing of sealed lead-acid batteries with household trash is prohibited by law in most areas.
- Return exhausted batteries to a federal or state approved lead-acid battery recycler, such as a Power Wheels® authorized service center, or a local seller of automotive batteries. For the service center location nearest you, please call 1-800-348-0751. Contact your local waste management officials for other information regarding the environmentally sound collection, recycling and disposal of lead-acid batteries. If you live in the State of Florida or Minnesota, it is prohibited by law for anyone to throw away lead-acid batteries in the municipal waste stream.

# J

## Rules for Safe Driving

### RIDING HAZARD



#### WARNING

##### Prevent Injuries and Deaths

- Direct Adult Supervision Required
- Keep Children Within Safe Riding Areas

These areas must be:

- away from swimming pools and other bodies of water to prevent drownings
- generally level to prevent tipovers
- away from steps, driveways, roads and alleys.

#### Teach Safety Rules to Children

While children can quickly develop the skill necessary to drive this vehicle, it is important to remember that their judgment skills are still very immature. Unsupervised driving by children can lead to serious injury. Before children use this vehicle, an adult should carefully evaluate the driving area as well as the children's skill level and ability to drive this vehicle safely. Children are not always able to recognize or anticipate hazards, even when they have been taught about them. **THERE IS NO ACCEPTABLE SUBSTITUTE FOR DIRECT ADULT SUPERVISION.**

Teach appropriate safety rules to your child before allowing operation of this vehicle. These rules should also be reviewed with neighborhood children or other playmates who want to drive this vehicle.

#### Riding Rules

**Make sure children know and follow these rules for safe driving:**

1. Always sit on the seat.
2. Always wear shoes.
3. Only 2 (two) riders at a time. Children who are not sitting on the seat or are standing on the vehicle could fall off, cause a tip-over or block the driver's view. Children could be seriously injured.
4. Do not allow any child to drive the vehicle in the street or near moving (motorized) vehicles.
5. Do not allow any child to drive near bodies of water (such as pools or creeks), obstructions (such as furniture, low tree limbs or play equipment), or drop-offs (such as stairs or decks).
6. Do not allow any child to drive the vehicle in the dark. A child could encounter unexpected obstacles and have an accident. Operate the vehicle only in the daytime or a well-lit area.



**Use vehicle on generally level ground ONLY!**

7. Do not allow your child to drive on sloped or inclined surfaces. **Restrict your child's driving to generally level ground ONLY!**
8. Do not allow your child to drive down or across a steep slope.
  - The vehicle may gain unsafe speed, even if the pedal is released to stop.
  - The vehicle may tilt and tip over.
  - The wheels could lose traction, causing the vehicle to slip.
9. Do not allow your child to drive up steep inclines. The motor may stop and the vehicle could roll backwards at an unsafe speed.
10. Never put anything near any moving parts. Rotating parts such as motors, gear boxes and wheels can snag fingers, hair, etc., causing serious injury. Do not allow operation of the vehicle when it is on its side or in an upside-down position.
11. Do not operate the vehicle near flammable vapors (gasoline, paint thinner, acetone, liquid wax, etc.). The vehicle's electrical switches, like most electrical switches, emit an internal spark when first turned on or turned off. The presence of flammable liquids or vapors could cause an explosion or a fire. Keep all flammable products in tightly sealed containers and away from the vehicle.
12. Do not allow a child to operate the vehicle without direct adult supervision. To prevent unsupervised use of the vehicle, disconnect the motor harness from the battery when the vehicle is not in use.

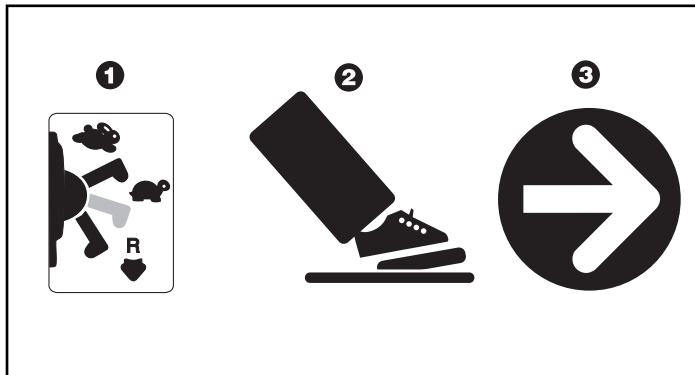
# K

## How to Operate Your Vehicle

### Beginner Use - Low Speed Drive

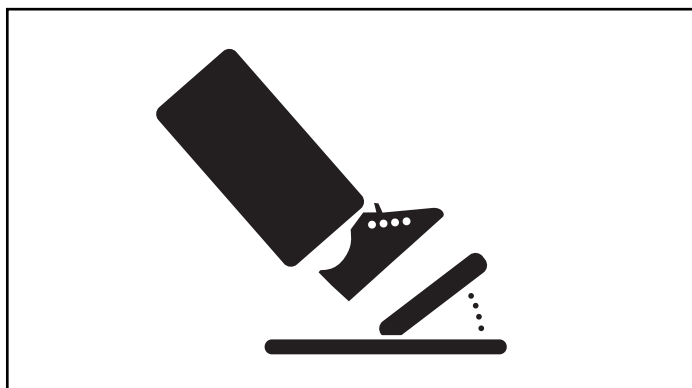
As assembled, your vehicle is ready to roll in low speed (2½ mph, maximum). It has been pre-set so it will only operate in low speed. After your child has mastered the basic skills of driving and understands the rules for safe driving, it's time to remove the high speed lock-out screw to allow the vehicle to operate in low or high speed.

**See the instructions on page 24 to remove the high speed lock-out screw.**



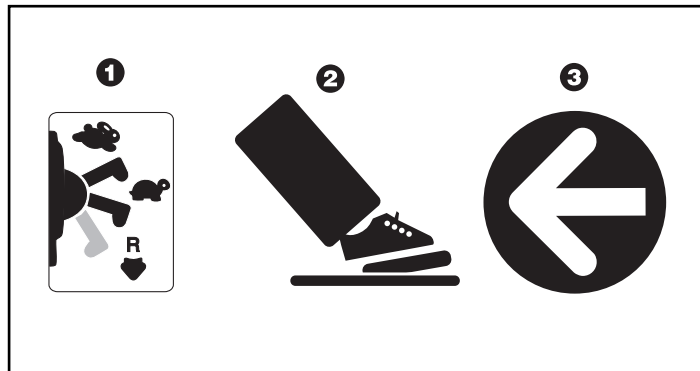
- Make sure the shifter is in the low speed position ①.
- Press down on the foot pedal ②. The vehicle goes forward at a maximum of 2½ mph ③.
- Help your child practice steering to learn how far and how quickly to turn the steering wheel when driving forward in low speed.

### To Stop



- Your vehicle has a patented electronic braking system that automatically stops the vehicle when your child's foot is lifted from the pedal.
- Make sure your child is comfortable with steering the vehicle and automatically knows how to stop.

### To Back Up



**Note: To avoid damaging the motors and gears, stop the vehicle before shifting from forward to reverse .**

- Once your child is completely comfortable with operating the vehicle in the forward mode, introduce reverse .

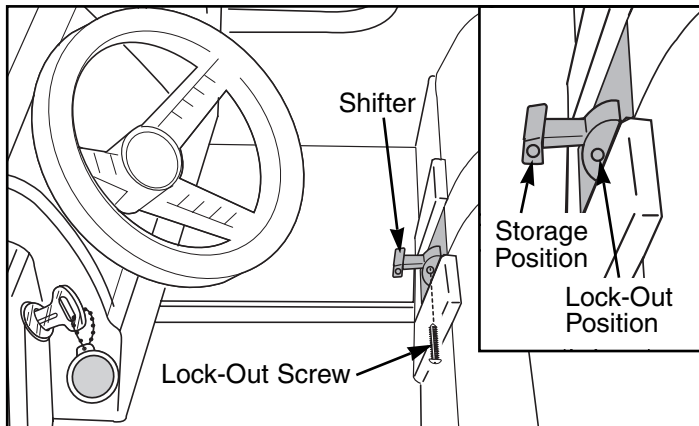
#### To Back Up


- Make sure the shifter is in the reverse position ①.
- Press down on the foot pedal ②. The vehicle will go in reverse at a maximum of 2½ mph ③. The vehicle is designed to operate in low speed only in reverse.
- Help your child practice steering to learn how far and how quickly to turn the steering wheel when driving in reverse.

## How to Operate Your Vehicle

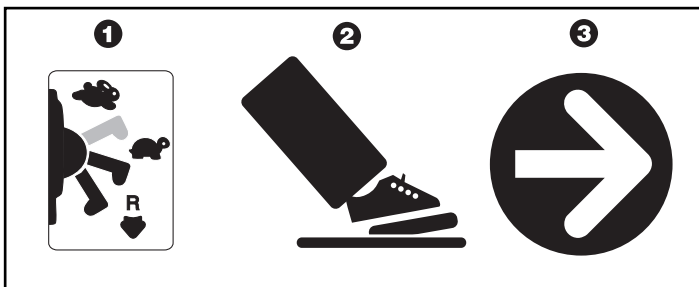
### Advanced Use - High Speed Drive

#### Disconnecting the High Speed Lock-Out




- Before you disconnect the high speed lock-out, make sure your child knows how to steer, how to start and stop the vehicle and knows the rules for safe driving. When the high speed lock-out is disconnected, the vehicle can be driven forward in low speed (2½ mph, maximum) or high speed (5 mph, maximum).
- Make sure the shifter is in the reverse  position.
- Loosen the screw in the shifter box using a Phillips screwdriver.
- Remove the screw.
- Insert the lock-out screw into the hole in the shifter handle to keep it for future use. It can be re-inserted into the shifter box to lock-out high speed.

### To Drive



**IMPORANT! To avoid damaging the motors and gears, stop the vehicle before shifting between low and high speed.**

- Make sure the shifter is in the high speed  position ①.
- Press down on the foot pedal ②. The vehicle goes forward at a maximum of 5 mph ③.
- Help your child practice steering to learn how far and how quickly to turn the steering wheel when driving forward in high speed.
- Make sure your child is comfortable with steering the vehicle and automatically knows how to stop.
- Stopping in high speed is the same as stopping in low speed. The vehicle automatically stops when your child's foot is lifted from the pedal.

## L

## Caring For Your Vehicle

- Check all screws, capnuts and protective coverings regularly and tighten as required. Check plastic parts on a regular basis for cracks or broken pieces.
- During snowy or rainy weather, the vehicle should be stored inside or under a protective cover. Remember to charge the battery at least once per month while your vehicle is not in regular use.
- Avoid operating the vehicle in wet or snowy conditions and do not spray the vehicle with a hose. Do not wash the vehicle with soap and water. Water or moisture in the motors or electrical switches can cause them to corrode and could cause switch or motor failure.
- Avoid operating the vehicle on sand, loose dirt or gravel. Sand, loose dirt or gravel in the motors or electrical switches can cause them to jam and could cause switch or motor failure.
- The vehicle can be wiped down with a soft, dry cloth. For a shiny finish, you can wipe plastic parts with a non-wax furniture polish applied to a soft-cloth. Do not use automotive wax. Do not use soap and water or spray the vehicle with a hose.
- To ensure that your vehicle stays in good operating order, we recommend that you periodically have your vehicle checked by a Power Wheels® authorized service center. See page 28 for the list of authorized service centers or call **1-800-348-0751** for the location of the authorized service center nearest you.





## Problems and Solutions Guide


**IMPORTANT!** If you experience a problem with your vehicle, first check the Problems and Solutions Guide below. If you still experience a problem, please contact Power Wheels® Consumer Affairs, toll-free at **1-800-348-0751** between 8 AM and 6 PM (EST) Monday through Friday. Or, contact your local Power Wheels® authorized service center. For the location nearest you, please refer to the Authorized Service Center list beginning on page 28.

Problem	Possible Cause	Solution
Vehicle does not run	Undercharged battery	Charge the battery. A new battery should have been charged for at least 18 hours before using the vehicle for the first time. After first-time use, recharge the battery for at least 14 hours after each use. Never charge the battery longer than 30 hours.
		Check all connectors. Make sure the charger connector is plugged into the battery, and that the charger is plugged into the wall.
		Make sure power flow to the wall outlet is "ON".
	Charger is not working	There is no sure way to tell if your charger is working unless you have a volt meter. If you suspect there is a problem with your charger, contact your local Power Wheels® authorized service center. They can test your charger for you.
	Tripped thermal fuse	Each Power Wheels® 12 volt battery has a built-in thermal fuse. A thermal fuse may "trip" and shut down operation of the vehicle if the vehicle is overloaded or the driving conditions too severe. The fuse will automatically reset itself after approximately 25 seconds, allowing the vehicle to resume normal operation. To avoid repeated automatic shutdowns, do not overload the vehicle by exceeding the 130 lb. maximum weight capacity or by towing anything behind the vehicle. Do not drive up hills or run into fixed objects, which can cause the wheels to stop spinning while power is still being supplied to the motors. If a thermal fuse continually trips, contact your local Power Wheels® authorized service center.
	Loose wire or loose connectors	Check all wires and connectors. Make sure the motor harness connector is plugged into the battery, and that there are no loose wires around the motors.
	Dead battery	If your battery is old or if you have not followed Battery Care instructions, your battery may be dead. If you are unsure whether or not the battery is dead, you can have it tested at your local Power Wheels® authorized service center.
	Electrical switch damage	The electrical switches can become corroded due to exposure to water or moisture, or can jam due to loose dirt, sand or gravel. Contact your local Power Wheels® authorized service center for diagnosis and repair.
Motor damage	Contact your local Power Wheels® authorized service center for diagnosis and repair.	
Vehicle was running but suddenly stopped	Loose wire or loose connectors	Check all wires and connectors. Make sure the motor harness connector is plugged into the battery, and that there are no loose wires around the motors.
	Tripped thermal fuse	Each Power Wheels® 12 volt battery has a built-in thermal fuse. A thermal fuse may "trip" and shut down operation of the vehicle if the vehicle is overloaded or the driving conditions too severe. The fuse will automatically reset itself after approximately 25 seconds, allowing the vehicle to resume normal operation. To avoid repeated automatic shutdowns, do not overload the vehicle by exceeding the 130 lb. maximum weight capacity or by towing anything behind the vehicle. Do not drive up hills or run into fixed objects, which can cause the wheels to stop spinning while power is still being supplied to the motors. If a thermal fuse continually trips, contact your local Power Wheels® authorized service center.

## Problems and Solutions Guide

Problem	Possible Cause	Solution
Short run time (Less than 1 - 3 hours per charge)	Undercharged battery	Charge the battery. A new battery should have been charged for at least 18 hours before using the vehicle for the first time. After first-time use, recharge the battery for at least 14 hours after each use. Never charge the battery longer than 30 hours.
		Check all wires and connectors. Make sure the charger connector is plugged into the battery, and that the charger is plugged into the wall.
		Make sure power flow to the wall outlet is "ON".
	Overcharged battery	Do not charge the battery longer than 30 hours. If you suspect that your battery is damaged as a result of overcharging, contact your local Power Wheels® authorized service center. They can test your battery for you.
	Battery is old and will not accept full charge	Even with proper care, a rechargeable battery does not last forever. Average battery life is 1 to 3 years depending on vehicle use and use conditions. Replace the battery with a new Power Wheels® 12 volt rechargeable battery. Do not substitute parts.
Vehicle runs sluggishly	Undercharged battery	Charge the battery. A new battery should have been charged for at least 18 hours before using the vehicle for the first time. After first-time use, recharge the battery for at least 14 hours after each use. Never charge the battery longer than 30 hours.
		Check all connectors. Make sure the charger connector is plugged into the battery, and that the charger is plugged into the wall.
		Make sure power flow to the wall outlet is "ON".
	Battery needs charging	Be sure to charge the battery after each use.
	Battery is old and will not accept full charge	Even with proper care, a rechargeable battery does not last forever. Average battery life is 1 to 3 years depending on the vehicle use and use conditions. Replace the battery with a new Power Wheels® 12 volt rechargeable battery. Do not substitute parts.
Vehicle is overloaded	Make sure you do not overload the vehicle by allowing more than 2 riders at one time, by exceeding the 130 lb. maximum weight capacity, or by towing objects behind the vehicle.	
Driving conditions are too stressful	Use only on generally level ground.	

## Problems and Solutions Guide

Problem	Possible Cause	Solution
Vehicle runs in low speed, but does not run in high speed  Please Note: The vehicle is designed to operate in low speed only in reverse  .	High speed lock-out not disconnected	The vehicle was pre-set to run only in low speed. To allow the vehicle to run in low and high speed, you must disconnect the High Speed Lock-Out. <b>Follow the instructions on page 24 to remove the High Speed Lock-Out screw.</b>
When the foot pedal is pressed only one rear wheel spins	Operation of vehicle in low speed	It is possible that only one rear wheel may spin when both rear wheels are raised off the ground and the vehicle is in low speed. This does not necessarily indicate a problem. Check for proper operation of the drive system by raising the rear wheels off the ground and pressing the foot pedal. If only one rear wheel spins, carefully press your hand on the spinning wheel to slow it down. The other rear wheel should begin to spin. If the other rear wheel does not begin to spin, there may be a problem with the vehicle. Contact your local Power Wheels® authorized service center for diagnosis and repair.
Sometimes the vehicle doesn't run, but other times it does	Loose wire or connector	Check all wires around the motors and all connectors to make sure they are tight.
	Motor or electrical switch damage	Contact your local Power Wheels® authorized service center for diagnosis and repair.
When the foot pedal is pressed, the vehicle won't run without a push	Loose wire or connector	Check all wires around the motors and all connectors to make sure they are tight.
	"Dead Spot" on motor	Contact your local Power Wheels® authorized service center for diagnosis and repair.
Loud clacking or grinding noise from a motor-gearbox	Broken gears	Contact your local Power Wheels® authorized service center for diagnosis and repair.
Charger gets warm during use	It is normal for some chargers to get warm during use and is not reason for concern.	No action required.
		If your charger does not get warm during use, it does not mean that it is not working properly.
Battery makes a sizzling or gurgling noise when charging	It is normal for some battery to make noise and swell slightly while charging and is not reason for concern.	No action required.
		If your battery does not make noise or swell slightly during charging, it does not mean that it is not accepting the charge.
Radio does not work	Improperly installed batteries	Make sure three "AA" alkaline batteries are installed in the radio exactly shown in the battery compartment.
	Dead batteries	Replace the batteries in the radio with three new "AA" alkaline batteries.

If, after reviewing the Problems and Solutions Guide, the vehicle still fails to operate, please contact your nearest authorized service center (see page 28) or contact Power Wheels® Consumer Relations toll-free at **1-800-348-0751**.

**Hint! For faster service when calling Consumer Relations, completely charge the batteries before calling and have the following available by the phone:**

- vehicle,
- vehicle model number (see sticker in battery compartment),
- vehicle production run number (see sticker in battery compartment).

**N**

## Bumper-to-Bumper\* Limited Warranty

**\*One year limited warranty from the date of purchase on the Power Wheels® vehicle.  
Six month limited warranty on the 12 volt battery.**

For the original purchaser, this one year limited warranty covers the Power Wheels® ride-on vehicle (purchased from Power Wheels®) against defects in materials and workmanship. The six month limited warranty applies only to the 12 volt battery included by Power Wheels® with the original purchase of the vehicle.

This warranty covers normal use and does not cover the Power Wheels® vehicle or battery if damaged by unreasonable use, neglect, accident, abuse, misuse, improper service or other causes not arising out of defects in materials or workmanship. Evidence of any attempt at consumer repair will void this warranty. This warranty does

not cover, and is intended to exclude, any liability on the part of Power Wheels®, whether under this warranty or implied by law for any indirect or consequential damages for breach of warranty. Some states do not allow the exclusion or limitation so this limitation may not apply to you.

Should you need service or assistance with your vehicle during the warranty period, **do not return the vehicle to the store.** Power Wheels® has provided a nationwide network of authorized service centers. Please refer to the list in this manual. Power Wheels® is continually expanding our Authorized Service Center Network. If there is not an authorized service center in your area, please call Consumer Relations for information, **1-800-348-0751.**

This warranty gives you specific legal rights, and you may also have other rights which may vary from state to state. **Please save your original sales receipt.**

**O**

## Authorized Service Centers

**We are continually expanding our Authorized Service Center Network. Please check this listing for the Authorized Service Center nearest you. If there is not one in your area, please call Power Wheels® Consumer Relations at 1-800-348-0751.**

### ALABAMA

**BIRMINGHAM** - Frigid Service & Sales, 701 Graymont Ave. North, 35203, (205) 323-5831  
**BIRMINGHAM** - Frigid Service & Sales, 1861 Centerpoint Rd., 35215, (205) 853-3952  
**BIRMINGHAM (HOMEWOOD)** - Frigid Appliance Center, 154 West Valley Ave., 35209, (205) 942-3959  
**DECATUR** - Peddler II, 1000 B Bellline Road, 35603, (205) 350-1044  
**DOTHAN** - Bill's Appliance Service, 208 Bic Road, P.O. Box 1192, 36303, (334) 792-7746  
**DOUGLAS** - Brown Hardware, Highway 75, 35964, (205) 593-6086  
**HUNTSVILLE** - C & G Appliance, 307 Jordan Lane, 35805, (205) 837-4551  
**MOBILE** - Foster's Appliance Repair, 1660 South Bellline Highway, 36693, (334) 666-2670  
**NORTHPORT** - Appliance Connection, 2703 McFarland Blvd, 35476, (205) 339-2774  
**TROY** - Specialty Batteries, 1317 South Brundidge St. P.O. Box 1045, 36081, (334) 670-6800, (800) 477-8230

### ALASKA

**ANCHORAGE** - Ken's Electronics Service, 360 E. International, Ste. 8, 99518, (907) 562-3443  
**FAIRBANKS** - Appliance Service Co. Inc., 700 23rd Ave., 99701, (907) 452-1000

### ARIZONA

**COTTONWOOD** - Blackhills Auto Electric, 951 Blackhills Dr Suite D, 86326, (520) 634-4159  
**GLENDALE** - Elliott Electric Appliance Service, 6242 N. 43rd Avenue, 85301, (623) 937-2613  
**SCOTTSDALE** - Elliott Electric, 7515 E. McDowell Road, 85257, (480) 946-7487  
**TUCSON** - Arizona Small Appliance Service Co., 5033 E 5th Street, 85711, (520) 325-3988

### ARKANSAS

**FT. SMITH** - Bromley Appliance Service, 614 North 10th Street, 72901, (501) 782-9646

**GLENWOOD** - Gardening Plus, 110 North 2nd Street, 71943, (870) 356-2233

**JONESBORO** - Best Sewing & Vacuum & Repair, 2235 S. Caraway Road, 72401, (501) 935-4739, (800) 844-4739

**LITTLE ROCK** - C & W Tool Repair, 1303 W. Markham, 72201, (501) 374-1911

**ROGERS** - Kressel's Vacuum & Repair, 115 North 5th Street, 72756, (501) 636-7894

**STUTT GART** - Davis Lumber Company, 301 East Michigan, 72160, (501) 673-3601

### CALIFORNIA

**ANDERSON** - Hardware Express/ Do It Best, 2681 Balls Ferry Road, 96007, (916) 365-3783

**BAKERSFIELD** - Southwest TV, 6300 White Lane, Suite B, 93309, (805) 397-4940

**CONCORD** - California Electric Service Center, 1170-G Burnett Avenue, 94520, (510) 827-1011

**COVINA** - California Electric Service Center, 612 Shoppers Lane, 91723, (818) 915-4935

**FORT JONES** - Ft. Jones Frontier Hardware, 11911 Main Street, 96032, (916) 468-2266

**FRESNO** - Valley Small Appliance, 4005 E. Ashlan Avenue, 93726, (209) 224-5530

**FULLERTON** - California Electric Service Center, 1208 E. Ash Avenue, 92631-5020, (714) 870-0900

**LAKE FOREST** - California Electric Service, 2250 Muirlands Suite B, 92630, (949) 586-9440

**LOS ALAMITOS** - California Electric Service Center, 11284 Los Alamitos Blvd., 90720, (562) 430-2668

**OAKLAND** - California Electric Service Center, 1139 E. 12th Street, 94606, (510) 834-1050

**PASADENA** - California Electric Service Center, 2594 E. Colorado Blvd., 91107, (818) 792-3194

**SACRAMENTO** - California Electric Service Center, 1821 "Q" Street, 95814, (916) 443-5711

**SALINAS** - SRS Hobbies, 1038A North Davis Road, 93907, (831) 424-4044, (800) 414-4547

**SAN DIEGO** - California Electric Service Center, 3430 El Cajon Blvd., 92104, (619) 283-6488

**SAN JOSE** - California Electric Service Center, 481 So. Bascom, 95126, (408) 295-1723

**SANTA ROSA** - Hardisty's Inc., 710 Farmers Lane, 95405, (707) 545-0535

**SKY FOREST** - Sky Forest Electrical, 28670 Highway 18 P.O. Box 496, 92385, (909) 337-0811

**TEMECULA** - California Electric Service Center, 41715 Enterprise Circle North, Suite 101, 92590, (909) 296-0205

**VAN NUYS** - California Electric Service Center, 14753 Oxnard Blvd., 91411, (818) 997-8855

**WEST LOS ANGELES** - California Electric Service Center, 2314 S. Westwood Blvd., 90064, (310) 475-2532

**YUCAIPA** - Aire-Rite Heating & A/C, 34724 Yucaipa Blvd., 92399, (909) 797-2788

### COLORADO

**COLORADO SPRINGS** - Nelson Appliance Repair, Inc., 1220 E. Fillmore, 80907, (719) 635-1928, (800) 291-8010

**DENVER** - Appliance Service, 4272 Lowell Blvd., 80211, (303) 458-1109, (800) 631-0941 (CO, WY only)

**GRAND JUNCTION** - V & L Appliance Service, 591 25 Road Suite A6, 81506, (970) 243-3360

**PUEBLO** - Direct Maytag Home Appliance, 1407 Santa Fe Drive, 81006, (719) 543-0777

### CONNECTICUT

**HARTFORD** - Hartford Element & Appliance Service, 1500 Albany Avenue, 06112, (860) 246-7424, (800) 787-7977

**NEW HAVEN (HAMDEN)** - New Haven Appliance Service Center, 1627 Dixwell Avenue, 06514, (203) 288-6229

**SHELTON** - Jeff's Appliance, Inc., 500A Howe Avenue, 06484, (203) 924-8997

**STAMFORD** - Appliance Servicenter of Stamford, 15 Cedar Heights Road, 06905, (203) 322-7656

**WATERBURY** - P.J. Appliance Repair, 935 South Main Street, 06706, (203) 757-1014

# Authorized Service Centers

## DELAWARE

**WILMINGTON** - Lyons Hardware, Inc., 2021 Kirkwood Highway, 19805, (302) 995-1260

## FLORIDA

**ATLANTIC BEACH** - First Coast Repair, 25 Seminole Road, 32233, (904) 246-4616

**BOYNTON BEACH** - Mister FixIt Small Appliance, 1865 W Woolbright Road, 33425, (561) 243-9999

**CALLAHAN** - Arc Electronic Repair, 951 Blackhills Dr. Suite D, 32011, (904) 879-3556

**CAPE CORAL** - Family Hardware/Do-It Express, 622 SE 47th Terrace, 33904, (941) 542-6365

**DELRAY** - Mister Fix It, 209 S.E. 2nd Avenue, 33483, (561) 243-9999

**GAINESVILLE** - Authorized Appliance Service Co., 2614 S.W. 34th Street, 32608, (352) 375-3886

**HIALEAH** - S-O Service Co., 925 Hialeah Drive, 33010, (305) 887-6275

**HOMESTEAD** - C. M. S., Inc., 1996 N. E. Campbell Drive, 33033, (305) 247-9700

**JACKSONVILLE** - Authorized Appliance Service Co., 6120-5 Powers Avenue, 32217, (904) 737-5312

**LAKECITY** - S&S Mowers Inc., RT. 10 Box 35916, 32025, (904) 755-2957

**LAKELAND** - Electric Shaver & Small Appliance, 4243 S. Florida Avenue, 33813, (863) 644-4690

**MIAMI** - Goodman's Sales & Service, 13130 SW 128 Street # 3, 33186, (305) 278-8822

**NORTH PALM BEACH** - Appliance Doctors, 450 Northlake Blvd., 33408, (407) 845-0377

**OCALA** - Vacuums Center and Gifts, 422 South Pine Street, #103, 34474, (352) 732-6335

**ORLANDO** - Pine Hills Appliance Svc. Co., 6100-4 W. Colonial Drive, 32808, (407) 299-1271

**ORLANDO** - Southern Electric Co., 510 N. Parramore Avenue, 32801, (407) 841-8824, (800) 940-8824

**PANAMA CITY** - Callaway Vacuum & Sewing, 221 N. Tyndall Prkwy., 32404, (904) 763-6333

**PENSACOLA** - Foster's Appliance Repair, 3836 N. Davis Highway, 32503, (904) 432-8853

**POMPAHO BEACH** - Authorized Appliance Service Co., 2171 N. Dixie Highway, 33060, (954) 941-2038

**PORT ST. LUCIE** - Appliance Doctors, 10632 South Federal Hwy, 34952, (561) 878-7869

**SARASOTA** - Sunray Small Appliances, 8371 N. Tamiami, 34243, (941) 358-9999, (800) 895-5655

**SEBRING** - Ace Hardware Of Sebring, 305 U.S. 27 North, 33870, (863) 385-2785

**SPRING HILL** - Ace Hardware #5304F, 5350 Spring Hill Dr., 34606, (352) 686-4743

**SPRING HILL** - National Floor Care, 5588 Commercial Way, 34606, (352) 686-6711, (800) 245-1946

**ST. PETERSBURG** - Keystone Electric, 4604 Central Avenue, 33711, (813) 321-1124

**STUART** - Appliance Doctors, 3166 S.E. Dixie Highway, 34997, (561) 287-6437

**SUNRISE** - Muller Appliance Service, 2116 North University Drive, 33322, (954) 749-5460

**VERO BEACH** - Hoppe's Authorized Vacuum and Appliance, 1872 Commerce Avenue, 32960, (561) 562-4466

**WEST PALM BEACH** - Satisfaction TV Video, 1980 South Congress Avenue, 33406, (561) 439-3733, (800) 477-3734

**WILLISTON** - Future Electronics, 10 SW 7th Street, 32696, (352) 528-5599, (800) 416-1114

## GEORGIA

**ATLANTA** - Georgia Service Center, 5366 Buford Hwy., 30340, (770) 455-1716, (800) 455-1715

**AUGUSTA** - A & A Appliance Parts & Service, 1708 Walton Way, 30904, (706) 733-5163

**BRUNSWICK** - Arco Hardware & Supply, 3711 Community Road, 31520, (912) 267-0771

**COLUMBUS** - Burrell's National Appliance Service, 1728 Warm Springs Road, 31904, (706) 327-0523

**GAINESVILLE** - Bike Town USA, 1604 Dawsonville Highway, 30501, (770) 532-7090

**LOGANVILLE** - Loganville Lawn Mower, 157 C. S. Floyd Road, 30052, (770) 466-9111

**SAVANNAH** - Hagins Appliance Service, 3 West Victory Drive, 31405, (912) 233-8372

**THOMASVILLE** - Carroll Hill Auto, 115 Albany Road, 31799, (912) 266-0717

**VALDOSTA** - Harry B. Anderson, Inc., 204 E. Central Avenue, 31601, (912) 242-5945

**WOODSTOCK** - All City Appliance Inc., 8477 Highway 92 Suite 110, 30189, (770) 924-2375

## HAWAII

**HONOLULU** - McCully Bicycle & Sporting Goods, 932 Hausten Street, 96826, (808) 946-1192

**WAILUKU (MAUI)** - Tom's Appliance Sales & Service, 891 Eha Street, 96793, (808) 244-6278

**WAIPAHU** - Gary's Bike World, 94-910 Moloalo Street, 96797, (808) 375-4262

## IDAHO

**BOISE** - Boise Appliance, 1503 Main Street, 83702, (208) 343-0102

**IDAHO FALLS** - Rossiter Electric, 1501 South Capital Avenue, 83402, (208) 529-3665

## ILLINOIS

**CHAMPAIGN** - Appliance Parts & Service Center, 905 Francois, 61821, (217) 355-0220

**CHICAGO (BERWYN)** - Brand Service Center, 6739 West Cermak, 60402, (708) 749-4315

**CHICAGO (DOWNER'S GROVE)** - Authorized Appliance Service Co., 1644 W. Ogden Avenue, 60515, (630) 852-1550

**CHICAGO (MORTON GROVE)** - Brand Service Center, Inc., 5618 Dempster Street, 60053, (847) 965-5900

**DECATUR** - Rexx Battery of Decatur, Inc., 1330 East Eldorado, 62521, (217) 422-0281

**FAIRVIEW HEIGHTS** - Rapid Rentals, 720 L. Lincoln Highway, 62087, (618) 632-0630

**GRANITE** - Midwest Golf Car & Equipment Co, 904 Thorngate Road, 62040, (618) 797-2278

**HAMILTON** - Discount Battery Sales, #80 S 2nd Rte. 136, 62341, (217) 847-3242

**JACKSONVILLE** - Rexx Battery Specialists, 847 South Main Street, 62650, (217) 245-2713

**LINCOLN** - Rexx Battery Specialists, 504 Keokuk, 62656, (217) 732-2885

**LOVES PARK** - Hi-Tech Controls Inc., 2198 Nimtz Road, 61111, (815) 637-4015

**MT. VERNON** - Battery Specialists, 1018 South 10th Street, 62864, (618) 244-0091

**NASHVILLE** - Kesel Hardware, 173 West St. Louis, 62263, (618) 327-8957

**NILES** - Household Appliance Sales & Serv., 7411 N. Milwaukee Ave., 60714, (847) 647-8250

**PEORIA** - Brand Service Center, 6926-I North University Street, Tanglewood Center, 61614, (309) 691-7588

**SPRINGFIELD** - Bannon Electronics, 1224 N. Franklin, 62702, (217) 523-0313

**TAYLORVILLE** - Battery Specialists + Golf Cars, 800 Springfield Road, 62568, (217) 824-3943

## INDIANA

**EVANSVILLE** - Electro Hygiene Co., 1614 South Kentucky, 47714, (812) 425-2671

**FT. WAYNE** - HWI Hardware & Paint, 6043 Stellhorn Road, 46815, (219) 485-8861

**FT. WAYNE** - Southside Vacuum Co. Inc., 3702 South Calhoun Street, 46807, (219) 745-7788, (888) 209-8113

**INDIANAPOLIS** - Brand Service Center, 1827 N. Meridian Street, 46202, (317) 924-1386

**INDIANAPOLIS** - Sullivan Hardware Do-It Center, 7021 N. Keystone, 46220, (317) 255-9230

**NEW ALBANY** - Wells Hardware, Inc., 1011 Vincennes Street, 47150, (812) 944-4523

**SOUTH BEND** - Ray's TV and Appliance, 60717 US 31 South, 46614, (219) 291-1630

**SOUTH BEND (OSCEOLA)** - AAA Appliance Service Co., 11868 Lincoln Way West, 46561, (219) 679-4981

**TERRE HAUTE** - Corey Electronics, 1101 S. 8th Street, 47802, (812) 232-8786, (888) 232-8786

## IOWA

**BETTENDORF** - K & K True Value Hardware, 1818 Grant Street, 52722, (319) 359-4473

**CEDAR RAPIDS** - Stalker Electric, Inc., 110 3rd Ave. SW, 52404, (319) 364-5646

**COUNCIL BLUFFS** - Millard Television Inc., 1840 Madison Avenue, 51501, (712) 322-9552

**DES MOINES** - Quality Appliance Repair Center, 1417 Walnut Street, 50309, (515) 288-0108

**DUBUQUE** - Shaver's Plus, 450 Central Avenue, 52001, (319) 556-4442

**FT DODGE** - Messerly Electronics, 614 1st Avenue South, 50501, (515) 576-4480

**GRINNELL** - Bikes To You Inc., 921 Broad Street, 50112, (515) 236-8600

**MARSHALLTOWN** - Blink Electric Motors, Inc., Rear 116 N 1st Avenue, 50158, (515) 752-3036

**NORTH LIBERTY** - Ace Electric, Inc., 165 Hwy 965 NE, 52317, (319) 626-3007, (800) 326-3007

**SIoux CITY** - Millard Television Inc., 1419 Hamilton Blvd., 51103, (712) 258-3435

## KANSAS

**CHANUTE** - Zimmerman Electric Service, 1202 West Beech P.O. Box 533, 67720, (316) 431-2260, (800) 362-0909

**COLBY** - Gavon's Electronics, 1870 South Range, 67701, (913) 462-6601

**JUNCTION CITY** - R/C Hobbies, 115 W. 7th Street, 66441, (913) 238-1877

**KANSAS CITY (OVERLAND PARK)** - Mar-Beck Appliance Service Co., 8471 West 95th Street, 66212, (913) 642-1557

**SPEARVILLE** - Quality Parts, P.O. Box 126 406 North Main, 67876, (316) 385-2624

**WICHITA** - Alan Appliance Service, Inc., 1300 E. Central, 67214, (316) 262-7228, (800) 290-7228

## KENTUCKY

**GREENVILLE** - Malone Lumber Do-It Center, 204 W. Depot Street, 42345, (270) 338-3252

**LEXINGTON** - AutoHobby Model Raceway, 1474 Anniston Drive, 40505, (859) 299-4925

**LOUISVILLE** - Maury's Fluorescent & Appliance Service, 1521 Bardstown Road, 40205, (502) 456-1671

**OWENSBORO** - Kuester's Hardware, 1210 Carter Road, 42301, (270) 685-4916

**PADUCAH** - Hank Brothers True Value, 3101 Lone Oak Rd., 42003, (270) 554-4001

## LOUISIANA

**BAKER** - Gayle Battery Distributors, 16555 Plank Road, 70714, (225) 774-7475

**BATON ROUGE** - Home Appliance Service, Inc., 10781 Florida Blvd., 70815, (504) 272-7727

**HAMMOND** - Battery Depot, 2323 Hwy 190 East Suite #4, 70401, (504) 542-4983

**LAFAYETTE** - Cullen's Playland, 4498 Johnston Street, 70503, (337) 981-2929

**LAKE CHARLES** - Capitol Schwinn Cyclery, 722 E. Prien Lake Road, 70605, (337) 474-9090

**NEW IBERIA** - Voorhies Supply Company, 401 W. St. Peter Street, 70560, (337) 364-2431

**NEW ORLEANS (METAIRIE)** - Le Jouet, Inc., 1700 Airline Hwy., 70001, (504) 837-0533

**SHREVEPORT** - Shreveport Shaver and Appliance, 9750 St. Vincent, Burt Kouns Ind. Loop, 71106, (318) 865-5088, (800) 349-7722

## MAINE

**GREENE** - Brule's Auto Clinic & Sales, 968 Sawyer Road, 04236, (207) 375-4872

**PERU** - Mountain Valley Sports, 58 Ridge Road, 04290, (207) 562-7164

**PORTLAND** - Colonial Electronics, Inc., 259 St. John Street, 04102, (207) 774-6666

## MARYLAND

**ABERDEEN** - Burkheimer Garden Equipment, 651 Gilbert Road, 21001, (410) 734-4577

**BALTIMORE** - Colgate Hardware, 6711 Holabird Ave, 21222, (410) 633-6363

**BERLIN** - Myers Auto-Power Tool Rental Co., Inc., 10714 Ocean Gateway, 21811, (410) 641-3497

**GAITHERSBURG** - Waters Appliance Service, 216 E. Diamond Avenue, 20877, (301) 258-7500, (800) 225-5009

**GLEN BURNIE** - Taylor Rental, 7389 Baltimore Annapolis Blvd., 21061, (410) 768-1933, (800) 836-8464

**LOVEVILLE** - Hancock Refrigeration Co Inc, 28650 Point Lookout Rd, 20656, (301) 475-8298

## MASSACHUSETTS

**BOSTON (MEDFIELD)** - Wills Hardware, 5 Janes Avenue, 02052, (508) 359-4381

# Authorized Service Centers

**LOWELL** - Lowell Appliance Service Center, Inc., 564 Dutton Street, 01854, (508) 454-8731

**MAYNARD** - Gramp's Garage, 16 Main Street, 01754, (508) 461-0463

**NEEDHAM** - Suburban Appliance Service Center, 34 Wexford Street, 02492, (781) 449-8787

**QUINCY** - Appliance Service and Parts, Inc., 582 Washington Street, Route 3A, 02169, (617) 773-6656

**SALEM** - Fix Master, Inc., 190 North Street, 01970, (508) 745-0004

**SPRINGFIELD** - Utility Electric Service, Inc., 810 Main Street, 01101, (413) 781-1635

## MICHIGAN

**ALMA** - JTS Electronics, LLC, 306 East Center Street, 48801, (517) 463-5871

**ALMONT** - Almont Hardware, 4545 Van Dyke, P.O. Box 511, 48003, (810) 798-8922

**BAY CITY** - Bay Vac & Pedal, 805 Columbus Ave., 48708, (517) 892-7516

**BRIGHTON** - Complete Battery Source, 8023 W. Grand River, 48116, (810) 220-1050

**DEARBORN** - McNichols Electric Service, 1836 Grindley Park, 48124, (313) 563-7550

**DETROIT** - McNichols Electric Service, 13725 W. McNichols, 48235, (313) 342-6070, (800) 562-4226

**DETROIT (ROYAL OAK)** - McNichols Electric Service, 4115 West 13 Mile Road, 48072, (810) 288-5135

**FLINT (DAVISON)** - Gill-Roy's Hardware, 8405 East Davison, 48423, (810) 653-2288

**FLINT (SWARTZ CREEK)** - Gill-Roy's Hardware, 9061 Miller Road, 48473, (810) 635-2020

**GAYLORD** - Alpine Electronics, 604 West Main, 49735, (517) 732-5004, (800) 244-6633

**GRAND RAPIDS** - Superior Appliance Service Co., 1050 Scribner Avenue, NW, 49504, (616) 459-3271

**JACKSON** - Hammond Hardware, 1800 Francis St., P.O. Box 7, 49204, (517) 782-0704

**KALAMAZOO** - Consumer Repair, 3938 S. Westnedge, 49008, (616) 344-1200

**LANSING** - Rapid Appliance Service, Inc., 1454 E. Michigan Avenue, 48912, (517) 485-1320

**MARLETTE** - Thumb Appliance and Retail Center, 3441 Main Street, 49684, (517) 635-7848

**MIDLAND** - Gill-Roy's Complete Hardware, 3128 Jefferson Ave., 48640, (517) 832-2774

**PRUDENVILLE** - Ford's Do-It Center, 841 W. Houghton Lake Drive, 48651, (517) 366-7622

**ROYAL OAK** - McNichols Electric Service, 4115 Thirteen Mile Road, 48072, (248) 288-5135

**TRAVERSE CITY** - Gil-Roy's Hardware, 2701 Zimmerman Road, 49684, (231) 929-8160

## MINNESOTA

**BLAINE** - Barness #1, 8701 Central Ave. NE, 55434, (763) 780-7229

**BRAINERD** - Git A'Round, 4299 Hwy. 371 North, 56401, (218) 828-8088

**DULUTH** - All Brand Mr. Fixit, 16 West First Street, 55802, (218)-722-1499

**MINNEAPOLIS (ST. LOUIS PARK)** - Barness, 4631 Excelsior Blvd., 55416, (612) 926-0521

**ST. PAUL** - Barness, 1573 University Avenue, 55104, (612) 646-3109

## MISSISSIPPI

**HATTIESBURG** - Champion Cycle & Fitness, 2625 Lincoln Road, 39402, (601) 310-0270

**IUKA** - W. H. Fairless Hardware Co., Inc., 117 Fulton Street, 38852, (662) 423-9256, (800) 797-9457

**JACKSON (RIDGELAND)** - Propeller Service, 291 Hwy. 51, Suite D6, 39157, (601) 856-3191

**MERIDIAN** - Broadmoor Home Center, 2420 Old North Hills Street, P.O. Box 3280, 39305, (601) 483-7373

**SALTILLO** - Polaris Outdoor World, 3463 Tom Watson Drive, 38866, (662) 680-4733

**STARKVILLE** - East Mississippi Lumber Co., 300 Russell Street, 39759, (662) 323-3554

## MISSOURI

**GLADSTONE** - Mar-Beck Appliance Service Co., 6559 North Oak Traffic Way, 64118, (816) 436-9191

**HANNIBAL** - Williams Equipment & Electric Motor, 124 Corporate Square, 63401, (573) 248-3887, (877) 234-6873

**INDEPENDENCE** - Mar-Beck Appliance Service Co., 4476 South Noland Road, 64055, (816) 478-1889

**KANSAS CITY** - Mar-Beck Appliance Service Co., 303 W. 79th Street, 64114, (816) 523-6931

**POPLAR BLUFF** - Mills Iron & Supply, 1919 S. Westwood Blvd., 63901, (573) 785-2628

**ST. LOUIS** - Authorized Appliance, Inc., 2355 Hampton Avenue, 63139, (314) 647-4250

## MONTANA

**BILLINGS** - Radio Equipment Company, 1120 16th Street West, 59104, (406) 256-9778, (800) 711-4024

## NEBRASKA

**GRAND ISLAND** - Mundt's Small Appliance & Vacuum Repair, 1822 W. Northfront Street, 68803, (308) 382-5084

**LINCOLN** - CB Small Appliance, 432 South 11th Street, 68508, (402) 475-2546

**LINCOLN** - Sperry TV, 1115 North 47th St., 68503, (402) 464-9181

**LINCOLN** - Sperry TV, 2013 Highway 2, 68502, (402) 464-9181

**NORTH PLATTE** - Sperry TV, 1855 West A Street, Westfield Shopping Center, 69010, (308) 532-5200

**OMAHA** - Myers Electric Co., 7342 Farnam, 68114, (402) 393-8388, (800) 234-1414

## NEVADA

**LAS VEGAS** - Burney's Commercial Service, Inc., 4480 Aldebaran Avenue, 89103, (702) 736-0006

**MINDEN** - Valley Home & Sport Center, 1587 Highway 395, 89423, (775) 782-5111

## NEW HAMPSHIRE

**MARLBOROUGH** - Electronics Aid Inc., 32 Roxbury Road P.O. Box 325, 03455, (603) 876-4161

## NEW JERSEY

**DENVILLE** - Ranft's Denville Vacuum & Appliance, 12 Broadway, 07834, (973) 627-1156

**HAWTHORNE** - Ter Kuile, Inc., 206 Diamond Bridge Avenue, 07506, (201) 423-1142

**HIGHLAND PARK** - Dash Electronics, 10 North Second Ave, 08904, (732) 247-2495

**HOWELL** - South Jersey TV Service, Inc., 4232 Rt. 9 South, 07731, (908) 363-5550, (800) 244-3094

**MAPLEWOOD** - Kiss Electrical, 36 Newark Way, 07040, (973) 275-9400

**SICKLERVILLE** - Sicklerville Hardware, 540 Williamstown Road, 08081, (856) 728-3800

**TOMS RIVER** - South Jersey TV Service, Inc., Stella Towne Center, 1258 Route 166, 08753, (908) 505-1771

**TRENTON** - Tattersall, Inc., 309 N. Willow Street, 08618, (609) 393-4293

## NEW MEXICO

**ALBUQUERQUE** - Appliance Service Center, 5505 Silver Avenue, SE, 87108, (505) 265-7774

**CLOVIS** - Burns Hardware, 1511 N. Prince, 88101, (505) 769-2528

## NEW YORK

**ALBANY** - Lake Electronic Service, 1650 Central Avenue, 12205, (518) 869-8424, (800) 585-3777

**BAYSHORE, L.I.** - Turnpike Appliance of Suffolk, Inc., 1253 Sunrise Highway, 11706, (631) 665-8311

**BINGHAMTON** - Hardware Fare DO-IT Center, 1139 Front Street, Nimmonsburg Square, 13905, (607) 722-9202

**BRONX** - Home Appliance Vacuum Word, 5902 Riverdale Avenue, 10471, (718) 884-4600

**BUFFALO (WILLIAMSVILLE)** - Hector's Hardware, 876 Maple Road, 14221, (716) 688-4488

**BUFFALO (HAMBURG)** - K-Technologies, 5424 Abel Road, 14075, (716) 649-5460

**COMMACK, L.I.** - Turnpike Appliance Service, 6181 Jericho Turnpike, 11725, (631) 499-3355

**EAST AURORA** - Sem-Fab of Western New York, 455 Olean Road, 14052, (716) 655-5228

**ELMIRA** - Capabilities, Inc., 1149 Sullivan Street, 14901, (607) 734-2006

**HOWARD BEACH** - Crossbay Appliance Service, 158-34 Crossbay Blvd, 11414, (718) 843-4422

**HUDSON** - Sweeps Vacuum & Repair Center, Inc., 705 Warren Street, 12534, (518) 828-5457

**MONTICELLO** - Wayne's Small Engine, 79 St. John Street, 12701, (914) 796-1851

**OCEANSIDE** - Turnpike Appliance Service, 3495A Lawson Boulevard , 11572, (516) 486-5700

**POUGHKEEPSIE** - S & S Appliance Sales & Service, 390 Violet Avenue, 12601, (914) 452-6122

**RICHMOND HILL** - Lockdoctor Locksmiths, 104-37 Atlantic Ave., 11418 (718) 441-6242

**ROCHESTER** - Benfante Appliance Service, 1286 Mt. Hope Avenue, 14620, (716) 473-8765

**STATEN ISLAND** - Springstead Lumber 6232, 4255 Amboy Road, 10308, (718) 984-0300

**SYRACUSE** - County Wide Appliance, 1001 N. State Street, 13208, (315) 479-5253, (877) 479-5253

**TUCKAHOE** - Authorized Appliance of Westchester, 26 Columbus Ave., 10707, (914) 961-8011

**WARWICK** - Wadeson Home Center, 60 Forester Avenue, 10990, (914) 986-2215, (800) 982-2215 (NY only)

**YORKVILLE** - Yorkville Battery Inc., 126 Whitesboro Street, 13495, (315) 736-2307

## NORTH CAROLINA

**ANDREWS** - Smoky Mountain Hobbies, 200 Stewart Road, 28901, (828) 321-9836

**ASHEVILLE** - Skyland Hardware, 3179 Sweeten Creek Road, 28803, (704) 684-0308

**CHARLOTTE** - Authorized Appliance Servicer, 1020 Tuckaseegee Road, 28208, (704) 377-4501, (800) 532-6127

**CLINTON** - Danny's Service Center, 119 Vance Street, 28328, (910) 592-3200

**ELIZABETH CITY** - Coastal Office Equipment Co., 501 East Church Street, 27909, (919) 335-2927

**JACKSONVILLE** - Discount Sales and Service, 468-B Western Blvd., 28456, (910) 455-6700

**RALEIGH** - Authorized Appliance Service Center, 800 North Person Street, 27604, (919) 834-3476

**WINSTON-SALEM** - Authorized Appliance Servicer, 904 South Marshall Street, 27117, (910) 725-5396

## NORTH DAKOTA

**BISMARCK** - Guitarland, 210 E Main Street, 58501, (701) 255-0212

**DICKINSON** - Fix It Shop, 316 21st Street E, 58601, (800) 871-0766

**FARGO** - General Parts & Supply Co., 10 S. 18th Street, 58103, (701) 235-4161, (800) 279-9987

## OHIO

**AKRON** - Advanced Appliance Service Company, 73 W. Exchange Street, 44308, (330) 762-8968

**BROOKLYN HEIGHTS** - Philips Consumer, 950 Keynote Circle, 44131, (216) 741-3334, (800) 331-7037

**CANTON** - Appliance Parts Co., 1267 Dueber Avenue, SW, 44706, (330) 453-8077

**CINCINNATI** - H&S Service, 458 Cincinnati Batavia Pike, 45244, (513) 528-0808

**CLEVELAND (MENTOR)** - Lake Erie Lawn & Garden, 7833 Munson Rd., 44060, (216) 257-9000

**CLEVELAND (PARMA)** - Majors Appliance, 5785 Ridge Road, 44129, (216) 884-7200

**CLEVELAND (WESTLAKE)** - Philips Consumer Electronics, 24090 Detroit Avenue, 44145, (216) 899-2040, (800) 331-7037

**DAYTON** - Layer Electric, 603 South Ludlow Street, 45402, (937) 224-9608

**DAYTON (NEW CARLISLE)** - Ballweg Do-It Center, 3300 South Dayton, Lakeview Rd., 45344, (937) 849-1306

**GALION** - Allied Electrical Repair, 1404 Harding Way East, 44833, (419) 468-4962, (800) 648-6771

**LIMA** - Crouse Lumber Do-It Center, 333 E. Market Street, 45801, (419) 229-9070, (800) 826-9663

**MANSFIELD** - Boliantz Hardware, 860 Ashland Road, 44905, (419) 589-5467

**PORTSMOUTH** - Market St Hardware & Toy Town, 217 Market Street, 45662, (740) 456-5704

**STRYKER** - Short's Hardware, 115 N. Depot Street, 43557, (419) 682-4231

**TOLEDO** - Broadway Sales and Appliance Repair, 1621 Broadway, 43609, (419) 241-9731, (800) 436-5415

**WELLINGTON** - Travelite Inc., 100 Industrial Avenue P.O. Box 60, 44090, (440) 647-3670, (800) 326-0406

**YOUNGSTOWN** - O'Connor's, 3224 Market Street, 44507, (330) 782-4705

# Authorized Service Centers

## OKLAHOMA

**ADA** - Bert's Supply Co, Hwy 99, 74820, (580) 332-7295, (800) 259-7202

**McCALESTER** - Quality Upholstery, 803 East Gene Stipe Blvd., 74501, (918) 423-4747

**OKLAHOMA CITY** - Appliance Services by CK, 101 East Madison, 73105, (405) 525-8862

**OKLAHOMA CITY** - Oklahoma Service Center, 1940 North May Street, 73107, (405) 946-9841

**TULSA** - H.L. Moss, Inc., 1714 E. 15th Street, 74104, (918) 744-1305, (800) 248-5948

## OREGON

**EUGENE** - Oldfield's, 1465 West 7th, 97402, (541) 485-6000, (800) 944-0238

**PORTLAND** - Appliance Repair Central, 2033 N. E. Columbia Blvd, 97211, (503) 285-1828, (800) 588-7339

## PENNSYLVANIA

**ALTOONA** - Frye's Sweeper & Sewing Center, Inc., 1400 Valley View Boulevard, 16602, (814) 943-5001, (800) 640-1308

**BUTLER** - Battery Warehouse, 469 Cunningham Street, 16001, (724) 287-3191

**CRANBERRY** - Batteries Plus North, Cranberry Towne Plaza 20808 Route 19, 16066, (724) 742-1690

**ERIE** - Parke T. Morrow Inc., 627 West 26th Street, 16508, (814) 455-7566

**GROVE CITY** - Battery Warehouse, 620 East Main Street, 16127, (724) 458-1655

**HARRISBURG** - C.A. Juillard, Inc., 2301 North Seventh Street, 17110, (717) 233-3488, (800) 633-3488

**JOHNSTOWN** - Cambria True Value Hardware, West Hills Square, Goucher Street, 15905, (814) 255-4752

**KINGSTON** - Vac-Way Appliance & Service, 595 Market Street, 18704, (570) 288-4508

**LANCASTER** - Colonial Electronics Inc., 241 West Roseville Suite #2t, 17601, (717) 560-2222

**McDONALD** - Small Engine World, 130 East O'Hara Street, 15057 (724) 926-3330

**MOSCOW** - Vac-Way Appliance & Service, RR #6 Box 6237, 18444, (570) 842-4668

**ORANGEVILLE** - Hess Do-It Center & Market, Route 487, Box 4 M, 17859, (570) 683-5162

**PHILADELPHIA** - Appliance Care/Service Corp., 6407 Rising Sun Ave., 19111, (215) 725-3112

**PHILADELPHIA (COLLINGDALE)** - J.F. Kenney Electric, 920 MacDade Boulevard, 19023, (610) 534-7373

**PITTSBURGH** - Batteries Plus, 3912 Library Road, 15234, (412) 531-1690

**READING** - Electric Repair Co., 502-504 North 9th Street, 19604, (610) 376-5444, (800) 422-8171 (PA only)

**SCRANTON** - Vac-Way Appliance and Service, 601 Cedar Avenue, 18505, (570) 343-1121

**SHAMOKIN DAM** - Willard Battery Outlet, 138 S. Old Trail, 17876, (570) 743-5383

**SHIPPENVILLE** - Battery Warehouse, 11105 Rt 322 Riverhill , 16254, (814) 227-2123

**TROY** - Hoover Hardware, 9 Canton, 16947, (800) 251-2156, (570) 297-3445

**WILKES-BARRE** - Walter Hardware DO-IT Center, 57 N. Welles Street, 18702, (570) 823-1406

## PUERTO RICO

**MAYAGUEZ** - Cardona Appliance Service, 8 San Vicente Sreet, 00680, (787) 832-8366

**MAYAGUEZ** - AAA Melendez Rental, Calle Post 319 Sur, 00680, (787) 832-5225

**PONCE** - Ferreteria Vivian, Centro Comercial, Los Caobos #7, 00731, (787) 840-0677

**PUERTO NUEVO** - Buckeye Service, 1013 Jesus T. Pinero Avenue, 00920, (787) 782-6175

## SOUTH CAROLINA

**AIKEN** - Dunagan's Sewing & Vacuum, 1536 Whiskey Road, 29803, (803) 649-6777

**BELTON** - American Pro Office Equipment, 309 Forest Lane, 29627, (864) 338-9041

**CHARLESTON HEIGHTS** - Dorchester Electric Service, 3575 Dorchester Avenue, 29405, (803) 747-5221

**COLUMBIA** - Authorized Appliance Servicer, 1811 Taylor Street, 29202, (803) 254-8414

**DARLINGTON** - Hobbies and More, 1570 South Main Street, 29532, (803) 393-0355, FAX (803) 393-8171

**EASLEY** - Trails End Bicycles, 110 Pendleton Street, 29640, (864) 306-1684

**FORT MILL** - Service Engines Inc., 3356 SC Highway 51, 29715, (803) 548-1778, (800) 845-1191

**GREENWOOD** - Bikes & Boards & Mopeds, 203A Montague Avenue, 29646, (864) 229-2453

**HILTON HEAD ISLAND** - Bikes Kites & More, 2 E Southwood Park Drive, 29926, (843) 342-7530, (888) 414-1096

**SENECA** - Seneca Micronics, 110 East North First, 29678, (864) 882-6593

## SOUTH DAKOTA

**RAPID CITY** - Mick's Electric, Inc, 1304 Oregon Street, 57701, (605) 348-2335

**WINNER** - Nelson's Electronics Inc., 422 West 2nd Street P.O. Box 369, 57580, (605) 842-1611, (888) 842-1699

## TENNESSEE

**CHATTANOOGA** - Consumer Service Company, 2607 E 47th Street, 37407, (423) 867-8629

**DANDRIDGE** - Save More Sales, 1291 W Hwy 25-70, 37725, (865) 397-1255

**KNOXVILLE** - Appliance & Electric Service Company, 4816-M Kingston Pike, 37919, (865) 588-5395, (800) 585-5395

**KNOXVILLE** - Authorized Appliance Service Center, 1206 North Central Street, 37917, (865) 524-3376

**MEMPHIS** - Camp Electric Co., 647 Madison Avenue, 38103, (901) 527-7543, (800) 238-7345

**NASHVILLE** - Webb's Appliance Service Center, Inc., 1519 Church Street, 37203, (615) 329-4079, (800) 899-4079

## TEXAS

**AMARILLO** - Reid's Appliance Service, Inc., 906 Georgia, 79102, (806) 373-8812

**AUSTIN** - Harrell Supply and Service, Inc., 5435 Burnet Road, 78756, (512) 451-6464, (800) 332-7250 (TX only)

**AUSTIN** - Harrell Supply and Service, Inc., 1409 West Oltorf, 78704, (512) 442-5966

**CORPUS CHRISTI** - Brand Appliance & Microwave, 2751 South Staples, 78404, (361) 854-1851

**DALLAS** - All Type Sales and Service Co., Inc., 2835 Irving Blvd., 75207, (214) 638-1170, (800) 717-1170

**DALLAS** - Pearsol Appliance Co., 3127 Main Street, 75226, (214) 939-0930

**FT. WORTH** - Ft. Worth Shaver and Appliance Center, 1900 Montgomery Street, 76107, (817) 335-9970, (800) 816-2126

**HOUSTON** - Brand Service Center, 5727 Richmond Avenue, 77057, (713) 782-8910

**HOUSTON** - Brand Service Center, 1970 FM 1960, 77090, (713) 537-7795

**KILLEEN** - Master Tech Repairs, 501 West Elms Road Suite #10, 76542, (254) 618-5480

**LONGVIEW** - Foster's, 3315 Gilmer Road, 75604, (903) 759-3939

**LUBBOCK** - Minter's, 4409 50th Street, 79414, (806) 799-3170

**LUFKIN** - STS Audio and Video, 1505 South First Street, 75901, (936) 639-4529

**MC ALLEN** - All-In-One Repair Shop, 2313 Lark Avenue, 78504, (210) 682-8858

**MIDLAND** - Midland Tool Specialty, 918 South Main, 79701, (915) 682-4647, (800) 499-0755

**PASADENA** - Larry's TV Service, 3520 Fairmont Parkway, 77504, (713) 998-0122,

**ROMA** - True Value Hardware, 1004 E. Highway 83, (210) 849-1322

**SAN ANTONIO** - Texas Shaver & Appliances, 8121 Callaghan Road, 78230, (210) 344-8577

**TEMPLE** - Master Tech Repairs, 2819 West Avenue North, 76604, (817) 773-8991

**WICHITA FALLS** - Burke's Appliance Service, 2410 10th Street, 76309, (817) 723-6211

## UTAH

**OREM** - The Mending Shed, 1735 South State Street, 84058, (801) 225-8012, (800) 339-9297

**SALT LAKE CITY** - Appliance Service Center, Inc., 210 East 6th South, 84111, (801) 328-9703

**WILLARD** - Peak Electric Co Inc, 780 N 200 W, 84340, (435) 723-7104

## VIRGINIA

**BLACKSTONE** - Bevell's True Value Hardware, 109 North High Street, 23824, (804) 292-7208, (800) 883-1270

**FREDERICKSBURG** - Fredericksburg Electrical Repair, Inc., 10825-D Houser Drive, 22408, (540) 891-7911

**HARRISONBURG (PENN LAIRD)** - J.L. Maintenance & Repair, Inc., Route 2, Box 308, 22846, (540) 289-9844

**LOUISA** - Lakeside Electric Const., 4344 Davis Highway Suite 2, 23093, (540) 967-3000

**RICHMOND** - Wells Inc., 3502 Jefferson Davis Highway, 23234, (804) 233-6726

**ROANOKE** - Commonwealth Shaver & Appliance Service, 5524 Williamson Road, NW, 24012, (540) 366-6038

**SOUTH BOSTON** - South Boston True Value, 307 Broad Street, 24592, (804) 572-6666

**VIENNA** - Appliance Fix-It, 8455 Tyco Road, 22182, (703) 893-1234

**VIRGINIA BEACH** - Commonwealth Electric Shaver, 549 Newton Road #108, 23462, (757) 490-0500

**WINCHESTER** - Battery Mart of Winchester, Inc., 1 Battery Dr., 22601, (703) 655-0065

## WASHINGTON

**ARLINGTON** - Cordz Limited, 105 North Olympic Avenue, 98223, (360) 435-2471

**FEDERAL WAY** - Martha Lake Electronics, 2118 South 314th Street, 98003, (253) 946-9033

**KENNEWICK** - At Home Electronic Service, 313 East First Avenue, 99336, (509) 586-3800

**LYNNWOOD** - Martha Lake Electronics, 16521 13th Avenue West, 98037, (425) 743-4178

**RENTON** - Martha Lake Electronics, 212 South West 43rd, 98055, (425) 251-5417

**SEATTLE** - Action Small Appliance, 2125 2nd Avenue, 98121, (206) 448-2020

**SEATTLE (BELLEVUE)** - Action Small Appliance Service, 1500 145th Place, SE, 98007, (206) 643-9806

**SPOKANE** - Aalwaco Appliance, N 3007 Argonne Road , 99212, (509) 487-1089

**TACOMA** - Martha Lake Electronics, 2913 South 38th Street, 98409, (253) 475-0668

**WENATCHEE** - Motor Mart, 150 Marr, 98801, (509) 633-4237

## WEST VIRGINIA

**BECKLEY** - Jerry's Detectors, Vacuum & Appl. Svc., 411 Second Street. 25801, (304) 253-3521

**CHARLESTON** - Sneed's Vacuum & Sewing Center, 2614 7th Avenue, 25312, (304) 744-3670, (800) 245-8048 (WV only)

**HARRISVILLE** - Western Auto, 1107 E. Main St., 26362, (304) 643-2226

**HUNTINGTON** - Mike's Appliance and Service, 212 20th Street, 25703, (304) 522-0737

**MARTINSBURG** - Battery Mart, 1161-3 Winchester Avenue, 25401, (304) 267-7033, (800) 464-7918

**PARKERSBURG** - Battery Mart, 656 Seventh Street, 26101, (304) 424-7250

**VIENNA** - T & S Lawn - Landscape & Power Equipment, 1100 10th Street, 26105, (304) 295-7633 (800) 559-7633

**WHEELING** - Fast Service Center, 1058 Main Street, 26003, (304) 232-5561 (800) 874-4090

## WISCONSIN

**ELK MOUND** - Epp Electronics, E9485-A County Road EE, 54739, (715) 879-4634

**GREENBAY** - Kastle Carts, Inc., 2301 N. Irwin Ave., 54313, (414) 465-6121

**LACROSSE** - Paul's Shaver Service, 1224 Caledonia Street, 54603, (608) 782-6291

**MILWAUKEE** - Brand Appliance Repair, Inc., 6601 W Oklahoma Avenue, 53219, (414) 541-4340

**MONONA** - Kiefers Shaver & Appliance, 4511 Monona Drive, 53716, (608) 221-3322

# IMPORTANT!

**DO NOT use this vehicle for the first time until you have charged the battery for 18 hours.**

Remember to...

- ✓ Charge the battery immediately after each use.
- ✓ Charge the battery once a month during storage, even if the vehicle has not been used.

Failure to follow these instructions will permanently damage your battery and void your warranty. Please refer to the Battery Care Section in this manual for more information. For high speed operation, please refer to the How to Operate Your Vehicle Section in this manual for more information.

# DO NOT Return your Vehicle to the Store !



If you are missing parts or need assistance, please call us toll-free:

**Power Wheels® Consumer Relations**  
**1-800-348-0751**

**8 AM - 6 PM EST, Monday through Friday.**

Or contact your local Power Wheels® Authorized Service Center.



For the location nearest you, refer to the Authorized Service Center list in this manual.

Fisher-Price, Power Wheels, Power Wheels by Fisher-Price and BARBIE are U.S. trademarks of Mattel, Inc.  
 ©2001 Mattel, Inc. All Rights Reserved.

Fisher-Price, Inc., a subsidiary of Mattel, Inc., East Aurora, New York 14052, U.S.A.