



Product features may vary from the picture above.

JEEP and the Jeep grille design are registered trademarks of DaimlerChrysler Corporation and are used under license. ©DaimlerChrysler Corporation.
Fisher-Price, Power Wheels by Fisher-Price, BARBIE Splash and Power Lock are U.S. trademarks of Mattel, Inc.

Owner's Manual with Assembly Instructions

Please read this manual and save it with your original sale's receipt.

For Model 74350

Tools needed for assembly: Phillips Screwdriver, Hammer, Slotted Screwdriver,
and Safety Scissors (tools not included).

Use only with a Power Wheels® Type H 6 Volt Battery, a Power Wheels® 25 Amp Fuse
and a Power Wheels® Type H 6 Volt Charger (all included).

www.powerwheels.com

Barbie™ SPLASH

Parts

A	Important Information	.2
B	Warnings and Cautions	.3
C	Parts	.4
D	Parts Diagram	.6
E	Battery Charging	.7
F	Assembly	.9
G	Label Decoration	.15
H	Battery Installation and Battery Clamp (Engine Cover) Assembly	.16
I	Battery Care and Disposal	.17
J	Rules for Safe Driving	.18
K	How to Operate Your Vehicle	.19
L	Caring for Your Vehicle	.19
M	Problems and Solutions Guide	.20
N	Statement of Limited Warranty	.24
O	Authorized Service Centers	.25

A

Important Information

- Your new vehicle requires adult assembly. Please set aside at least 45 minutes for assembly.
- You must charge your battery for 18 - 30 hours **before you use your vehicle for the first time**. We recommend that you start charging your battery before beginning assembly. Please see Battery Charging beginning on page 8 for detailed instructions.
- Read this manual carefully for important safety information and operating instructions before using your vehicle. Please keep this manual for future reference as it contains important information.
- This vehicle is designed for use on grass, asphalt and other hard surfaces; on generally level terrain; and by children 1½ - 4 years of age.
- Make sure children know and follow these rules for safe driving and riding:
 - always sit on the seat.
 - always wear shoes.
 - only 1 (one) rider at a time.
- To prevent damaging the motors and gears, teach your child to stop the vehicle before switching between forward and reverse. Do not tow anything behind the vehicle or overload it. Do not exceed the maximum weight capacity of 50 lb (23 kg).
- If you have any questions about your Power Wheels® vehicle, please call our toll-free service lines at **1-800-348-0751** from 8 AM to 6 PM (EST) Monday through Friday. Trained customer service representatives are available to take your call in English or French. *Habla Español?* Si usted tiene alguna pregunta ó necesita asistencia llame gratis **1-800-348-0755** para los Estados Unidos. Tenemos representantes que hablan español para atender su llamada.
- For your convenience, Power Wheels® maintains an Authorized Service Center Network with more than 400 authorized service centers nationwide. Our authorized service centers will repair or replace parts under warranty at no extra charge, and can perform non-warranty repairs for a minimal charge. Please see the Authorized Service Center list beginning on page 25 to find the authorized service center nearest you, or call **1-800-348-0751**.
- Please complete and return the enclosed Registration Card today, or call **1-800-348-0751** to register your vehicle by phone.

B

Warnings and Cautions

ELECTRICAL HAZARD

WARNING

- Battery can fall out and injure a child if vehicle tips over. Always use battery clamp.
- **PREVENT FIRE**
 - Do not bypass a Power Wheels® fuse. It is a safety device.
 - Use only a Power Wheels® 25 Amp fuse.
 - Never modify the electrical system. Alterations could cause a fire resulting in serious injury and could also ruin the electrical system.
 - Use of the wrong type battery, fuse or charger could cause a fire or explosion resulting in serious injury.
 - Use of Power Wheels® components in products other than Power Wheels® vehicles could cause overheating, fire or explosion.
- The battery must be handled by adults only. The battery is heavy and contains sulfuric acid (electrolyte). Dropping the battery could result in serious injury.
- Never allow children to charge the battery. Battery charging must be done by adults only. A child could be injured by the electricity involved in charging the battery.
- Never lift or carry the battery by the wires or connector. This can damage the battery and possibly cause a fire resulting in serious injury. Lift and carry the battery by the case only.
- Read the safety instructions on the battery.
- Examine the battery, charger and their connectors for excessive wear or damage each time you charge the battery. If damage or excessive wear is detected, do not use the charger or the battery until you have replaced the worn or damaged part.
- **HOT** motors. Handle carefully.

RIDING HAZARD

WARNING

- **Prevent Injuries and Deaths**
 - Direct Adult Supervision Required
 - Keep Children Within Safe Riding Areas.
These areas must be:
 - away from swimming pools and other bodies of water to prevent drownings
 - generally level to prevent tipovers
 - away from steps, driveways, roads and alleys.

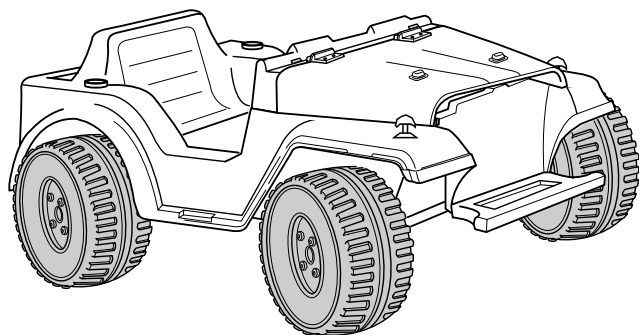
CAUTION

- In the unassembled state, this package contains small parts. Adult assembly is required.
- Use the charger in dry locations only.

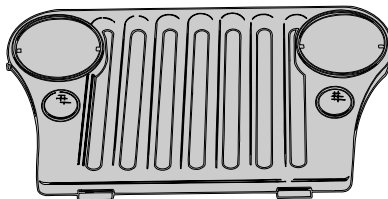
C

Parts

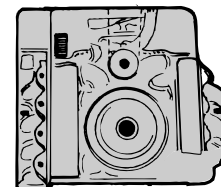
- If you experience a problem with this product, or are missing a part, please call us at **1-800-348-0751**, rather than return this product to the store.
- Please identify all parts before assembly and save all packaging material until assembly is complete to ensure that no parts are discarded.
- Metal parts have been coated with a lubricant to protect them during shipment. Wipe all metal parts with a paper towel to remove any excess lubricant.



Vehicle Body (with Dash and Hood)



Grille



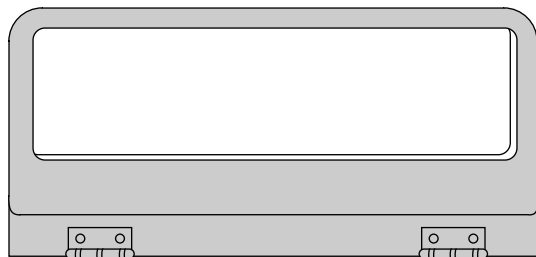
Battery Clamp
(Engine Cover)



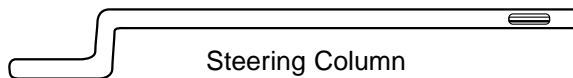
Windshield



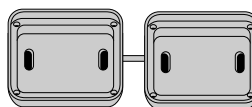
Sport Bar



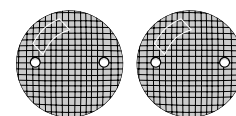
Windshield Frame



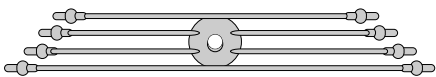
Steering Column



Taillight Housing Set



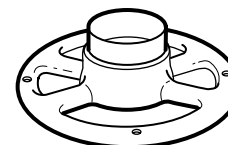
Headlight Lens - 2



Spark Plug Wires

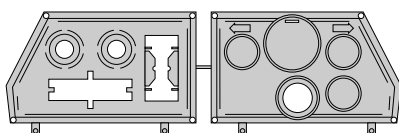


Sport Bar Cover Set

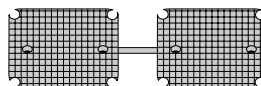


(Bottom Half)

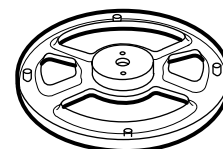
Activity Panel Instrument Panel



Dashboard Set



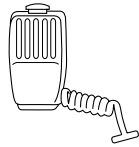
Taillight Lens Set



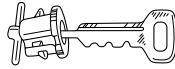
(Top Half)

Steering Wheel

Parts



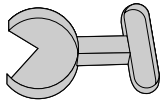
Microphone



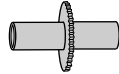
Key Assembly



6 Volt Charger



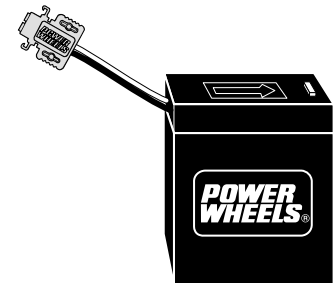
Shifter



Radio Dial



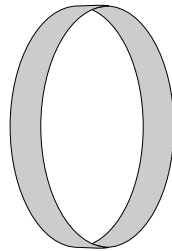
25 amp Fuse - 1*



6 Volt Battery



Steering Wheel Cap



Traction Band - 4



Gas Cap Assembly



Radio Knob - 2

Not Shown: Label Sheet

***For your convenience, an extra 25 amp fuse has been included.**



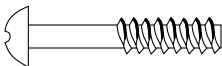
#8 x 1" Screw - 12



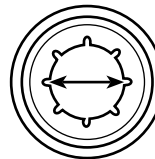
Cap Nut - 2*



#6 x 1 1/2" Screw - 11



#8 x 18 x 1" Screw - 2



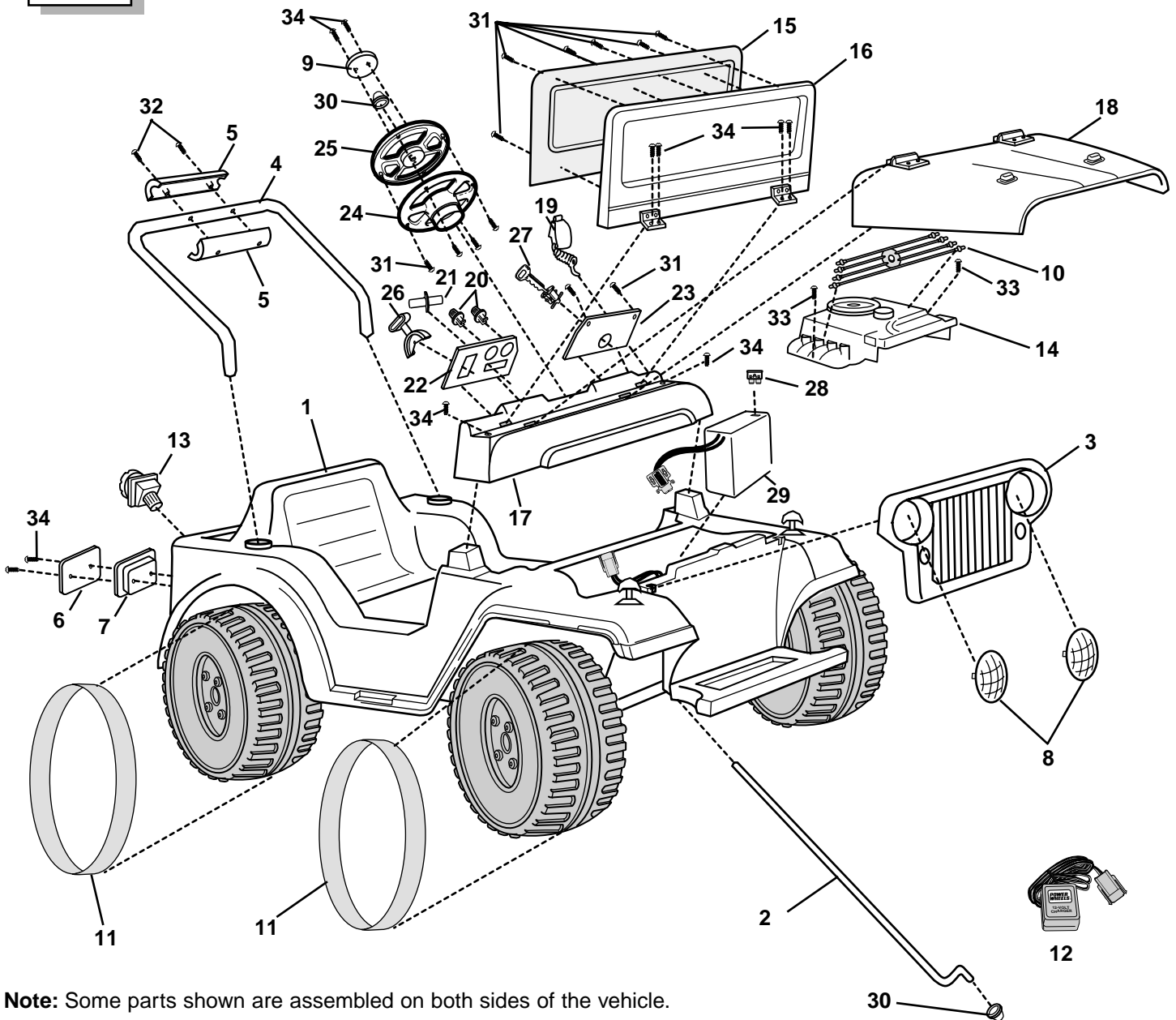
#6 x 1 1/2" Screw - 2

All Shown Actual Size

***For your convenience, an extra cap nut has been included.**

D

Parts Diagram



Note: Some parts shown are assembled on both sides of the vehicle.

- | | | |
|----------------------------------|----------------------------------|----------------------------|
| 1. Vehicle Body | 15. Windshield | 27. Key Assembly |
| 2. Steering Column | 16. Windshield Frame | 28. 25 Amp Fuse |
| 3. Grille | 17. Dash | 29. Type H 6 Volt Battery |
| 4. Sport Bar | 18. Hood | 30. Cap Nut - 2 |
| 5. Sport Bar Cover Set | 19. Microphone | 31. #6 x 1/2" Screw - 11 |
| 6. Taillight Lens - 2 | 20. Radio Knob - 2 | 32. #6 x 1 1/2" Screw - 2 |
| 7. Taillight Housing - 2 | 21. Radio Dial | 33. #8 x 18 x 1" Screw - 2 |
| 8. Headlight Lens - 2 | 22. Activity Panel | 34. #8 x 1" Screw - 12 |
| 9. Steering Wheel Cap | 23. Instrument Panel | |
| 10. Spark Plug Wires | 24. Steering Wheel - Bottom Half | Not Shown |
| 11. Traction Band - 4 | 25. Steering Wheel - Top Half | Label Sheet |
| 12. Type H 6 Volt Charger | 26. Shifter | |
| 13. Gas Cap Assembly | | |
| 14. Battery Clamp (Engine Cover) | | |

ELECTRICAL HAZARD

 **WARNING**

- Battery can fall out and injure a child if vehicle tips over. Always use battery clamp.
- **PREVENT FIRE**
 - Do not bypass a Power Wheels® fuse. It is a safety device.
 - Use only a Power Wheels® 25 Amp fuse.
 - Never modify the electrical system. Alterations could cause a fire resulting in serious injury and could also ruin the electrical system.
 - Use of the wrong type battery, fuse or charger could cause a fire or explosion resulting in serious injury.
 - Use of Power Wheels® components in products other than Power Wheels® vehicles could cause overheating, fire or explosion.
- The battery must be handled by adults only. The battery is heavy and contains sulfuric acid (electrolyte). Dropping the battery could result in serious injury.
- Never allow children to charge the battery. Battery charging must be done by adults only. A child could be injured by the electricity involved in charging the battery.
- Never lift or carry the battery by the wires or connector. This can damage the battery and possibly cause a fire resulting in serious injury. Lift and carry the battery by the case only.
- Read the safety instructions on the battery.
- Examine the battery, charger and their connectors for excessive wear or damage each time you charge the battery. If damage or excessive wear is detected, do not use the charger or the battery until you have replaced the worn or damaged part.

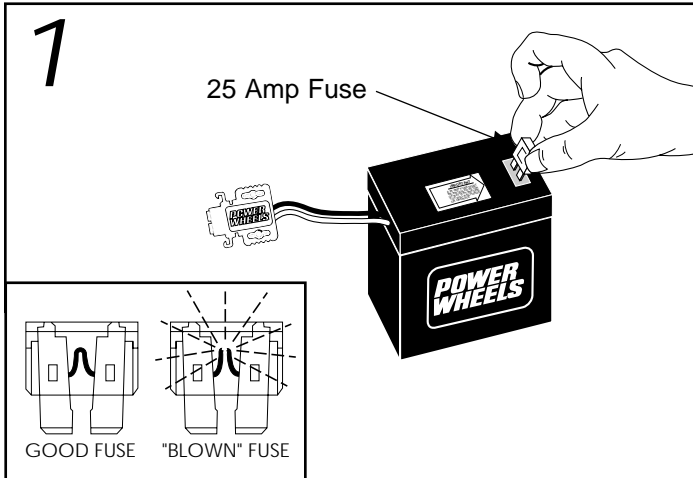
 **CAUTION**

Use the charger in dry locations only.

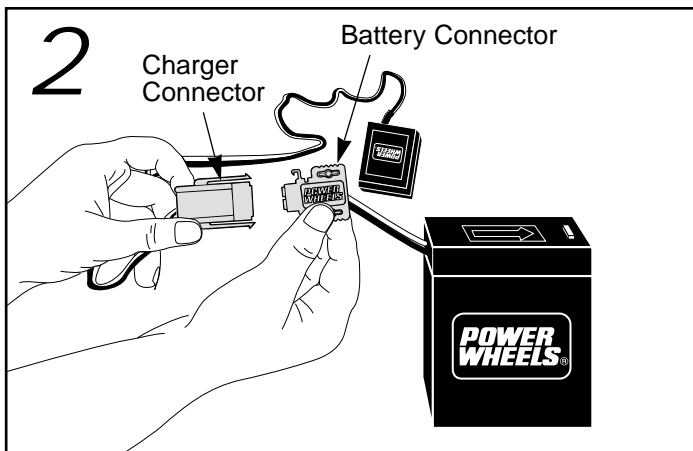
Important Notes

- **Your new battery must be charged for at least 18 hours before you use it in your vehicle for the first time.**
- The battery must be removed from your vehicle for the initial charge in order to complete assembly. You do not need to remove the battery from your vehicle to recharge it.
- The battery must be upright while charging.
- The charger is not a toy.
- Do not short circuit the battery.
- We recommend that you start charging your battery before beginning assembly of your new vehicle.
- Do not short circuit the battery.
- Before charging the battery, examine the battery case for cracks and other damage which may cause sulfuric acid (electrolyte) to leak during the charging process. If damage is detected, do not charge the battery or use it in your vehicle. Battery acid is very corrosive and can cause severe damage to surfaces it contacts.
- Do not charge the battery on a surface which could be damaged by the acid contained inside the battery. Take precautions to protect the surface on which you charge your battery.
- Use only a Power Wheels® Type H 6 volt charger (120 VAC 60 Hz 12W with an output of 6 VDC 800mA) to charge your Power Wheels® 6 volt battery.

Battery Charging

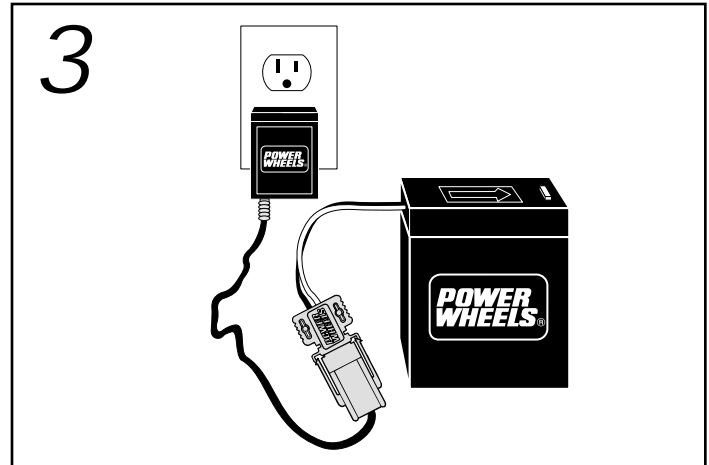


- If you are charging the battery for the first time, insert a 25 amp fuse into the battery.
- Note:** The top of the fuse will not be flush with the top of the battery when properly installed.
- If you are recharging your battery, make sure the 25 amp fuse already installed in the battery is in good condition. Remove the fuse from the battery and look at it to make sure it is not blown. Replace a blown fuse with a new Power Wheels® 25 amp fuse.



- Squeeze the connector tabs on the charger connector and plug it into the battery connector.

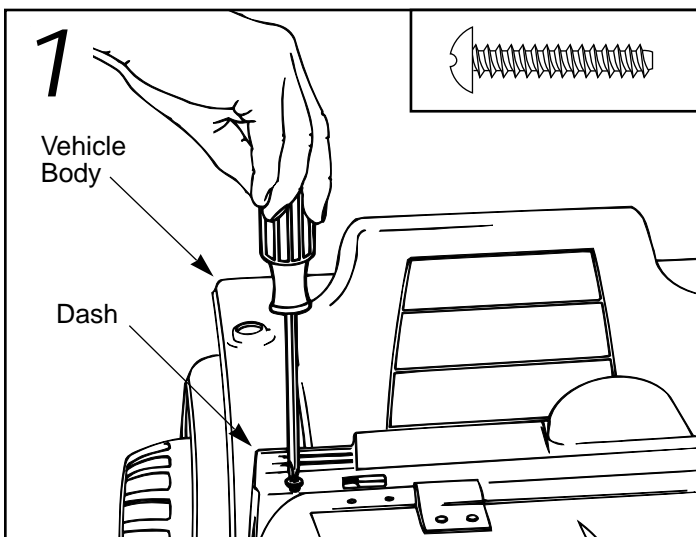
IMPORTANT! If you are recharging your battery, you will need to remove the battery clamp (engine cover) and disconnect the battery connector and motor harness connector.



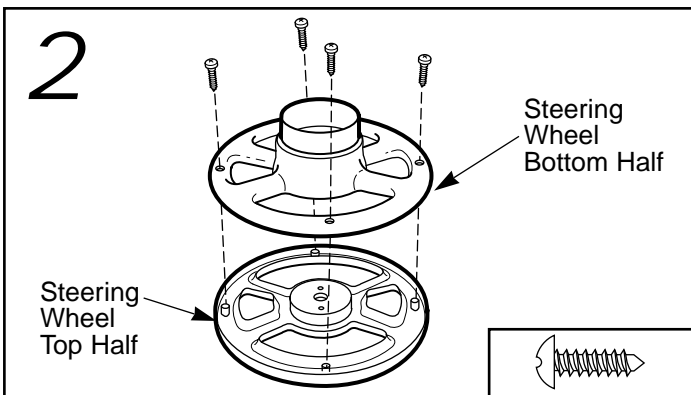
- Plug the charger into a standard 120 volt wall outlet.
- Note:** If power flow to the wall outlet is controlled by a switch, make sure the switch is "ON".
- **Before first-time use, charge the battery for at least 18 hours.** Never charge the battery longer than 30 hours.
 - Recharge the battery for at least 14 hours after each use of your vehicle. Do not charge the battery longer than 30 hours.
 - Once the battery is charged, disconnect the charger connector from the battery connector. Unplug the charger from the wall outlet. The battery is now charged and is ready to be installed in your vehicle. Please see "Battery Installation" on page 16 for detailed instructions on installing your battery.

! WARNING

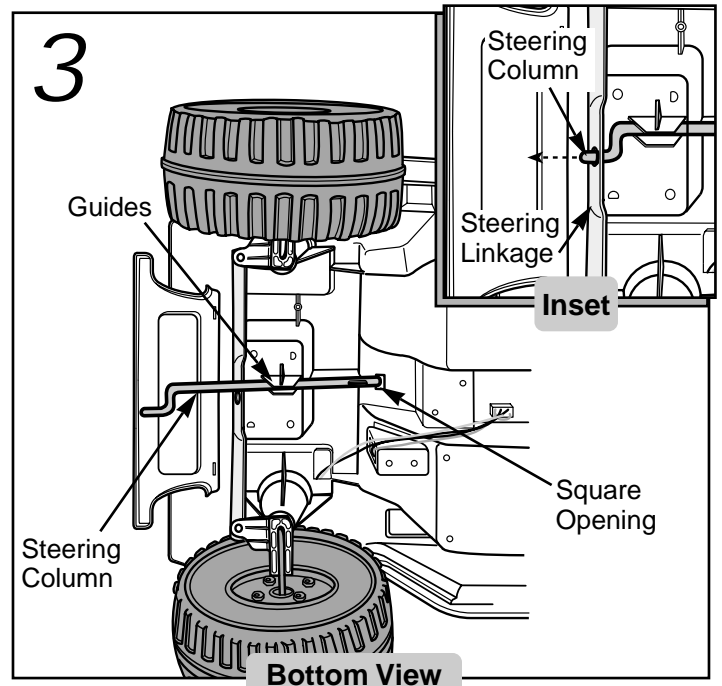
Children can be harmed by small parts, sharp edges and sharp points in the vehicle's unassembled state, or by electrical items. Care should be taken in unpacking and assembly of the vehicle. Children should not handle parts, including the battery, or help in assembly of the vehicle.



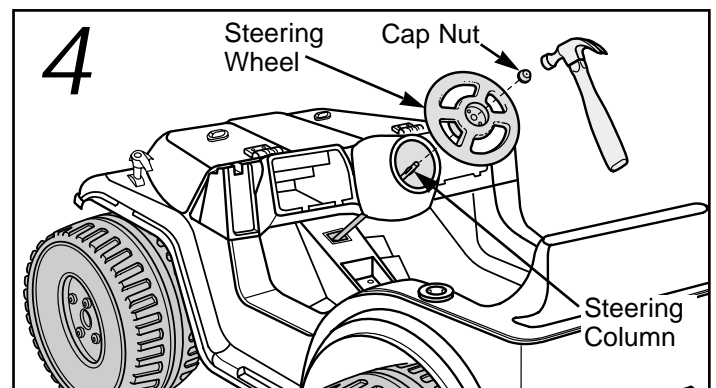
- Insert two #8 x 1" screws through the holes in both sides of the dash and into the vehicle body.
- Tighten the screws with a Phillips screwdriver. Do not over-tighten.



- Fit the top and bottom halves of the steering wheel together.
- Insert four #6 x 1/2" screws through the holes in the bottom half of the steering wheel and into the top half of the steering wheel.
- Tighten the screws with a Phillips screwdriver. Do not over-tighten.
- Set the steering wheel aside.



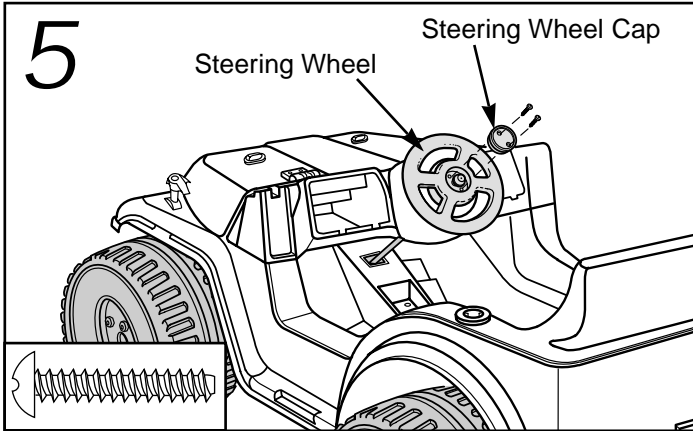
- Position the vehicle body on its side.
- Fit the straight end of the steering column up through the square opening in the vehicle body and out through the large round hole in the dash. **Make sure the steering column is positioned between the guides on the underside of the vehicle body.**
- Insert the end of the steering column through the hole in the steering linkage (see inset).



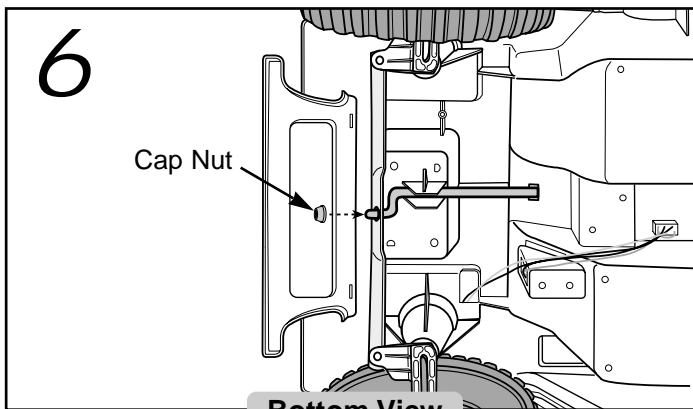
- Turn the vehicle body upright.
- Align the keyed hole in the center of the steering wheel with the ribs on the steering column. Fit the steering wheel onto the steering column. The base of the steering wheel should fit into the large hole in the dash.
- Fit a cap nut onto the end of the steering column.
- Tap the cap nut with a hammer to secure it on the steering column.

Hint: You may want the help of another person to support the steering column while you tap the cap nut with the hammer.

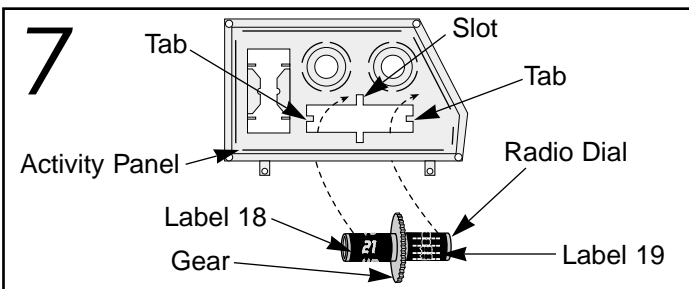
Assembly



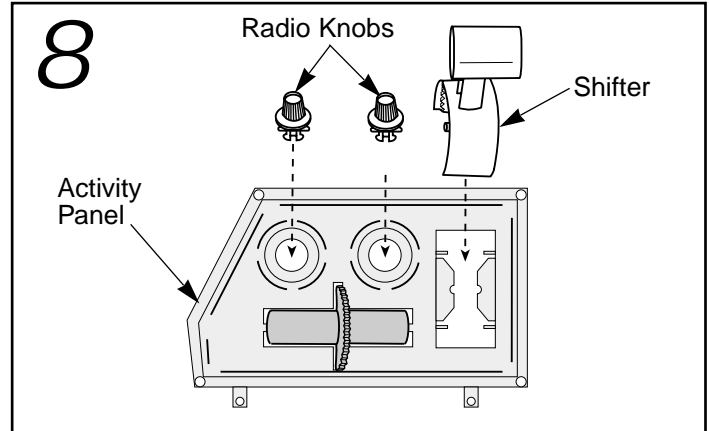
- Fit the steering wheel cap into the center of the steering wheel with the screw holes aligned.
- Insert two #8 x 1" screws through the holes in the steering wheel cap and into the steering wheel.
- Tighten the screws with a Phillips screwdriver. Do not over-tighten.



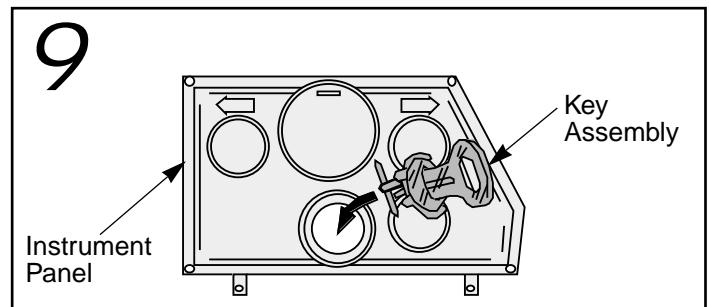
- Position the vehicle body on its side.
- Fit a cap nut onto the end of the steering column.
- While supporting the steering column tap the cap nut with a hammer to secure it on the steering column.
- Turn the vehicle body upright.



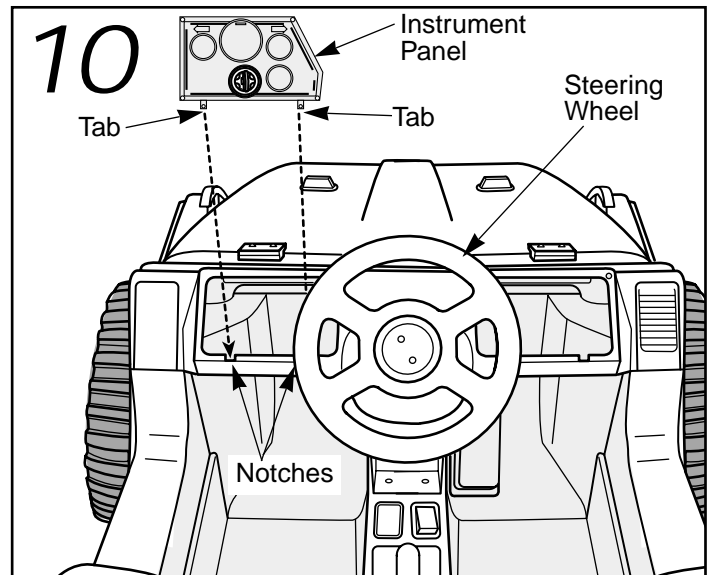
- Using safety scissors, separate the activity panel and the instrument panel. Dispose of the plastic connector.
- Apply labels 18 and 19 to the radio dial.
- From the back of the activity panel: fit one end of the radio dial onto a tab on the activity panel; position the center gear in the slot; and then press firmly to snap in the other end of the radio dial on the other tab.



- From the front of the activity panel, insert and snap the radio knobs.
- With the wide part of the shifter handle outward, insert and snap the shifter into the activity panel.
- Set the activity panel aside.

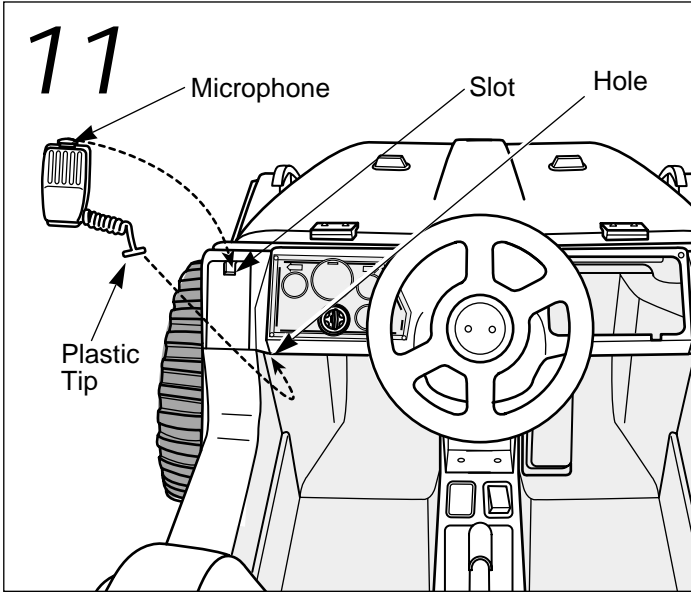


- Insert and snap the key assembly into the hole in the instrument panel.

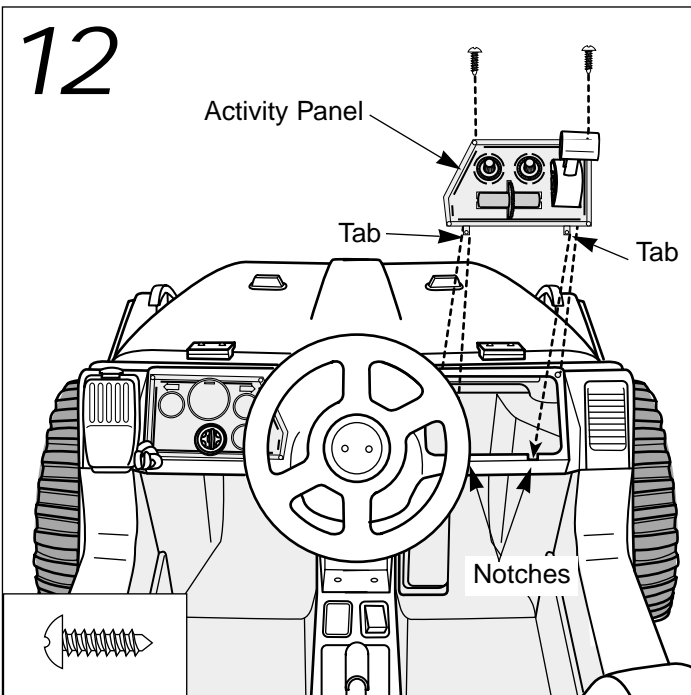


- Fit the tabs on the bottom of the instrument panel into the notches in the dash opening to the left of the steering wheel.
- Press near the top of the instrument panel to snap the top tab on the back of the instrument panel into the dash.

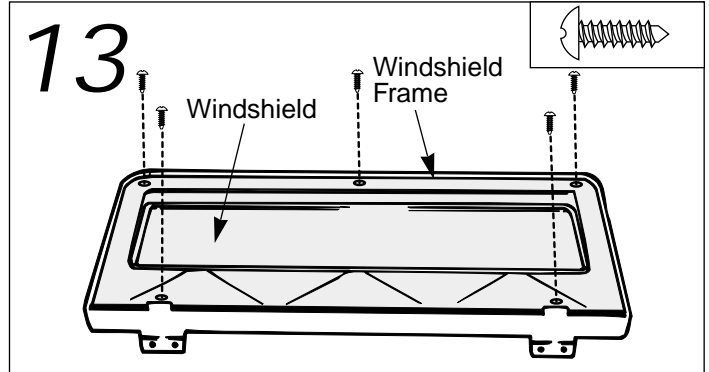
Assembly



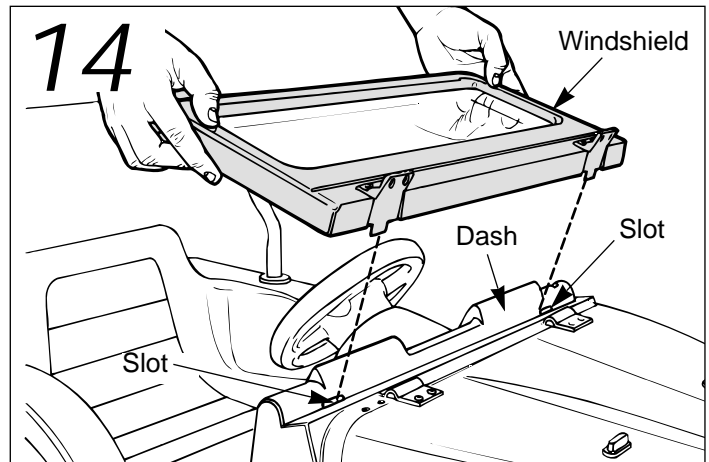
- Bend the plastic tip at the end of the microphone cord to form a "T".
- Insert the plastic tip into the small hole in the left side of the vehicle body. Pull gently on the cord to make sure it is secure.
- Fit the tab on the back of the microphone into the slot in the dash.



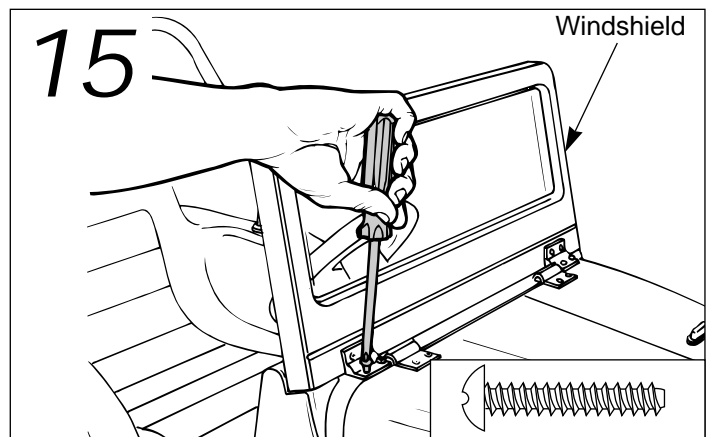
- Fit the tabs on the bottom of the activity panel into the notches in the dash opening to the right of the steering wheel.
- Insert two #6 x 1/2" screws through the holes in the top of the activity panel and into the dash.
- Tighten the screws with a Phillips screwdriver. Do not over-tighten.



- Fit the windshield into the windshield frame.
- Insert five #6 x 1/2" screws through the holes in the windshield and into the windshield frame.
- Tighten the screws with a Phillips screwdriver. Do not over-tighten.

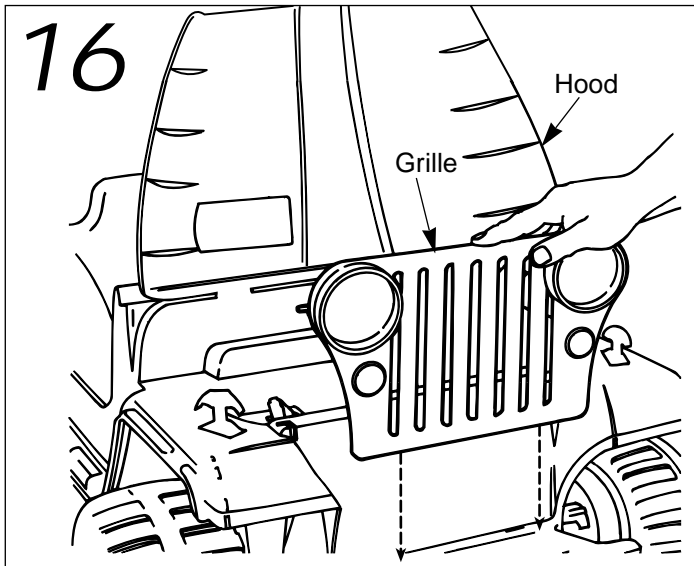


- Fit the tabs on the back of the windshield into the slots in the top of the dash.

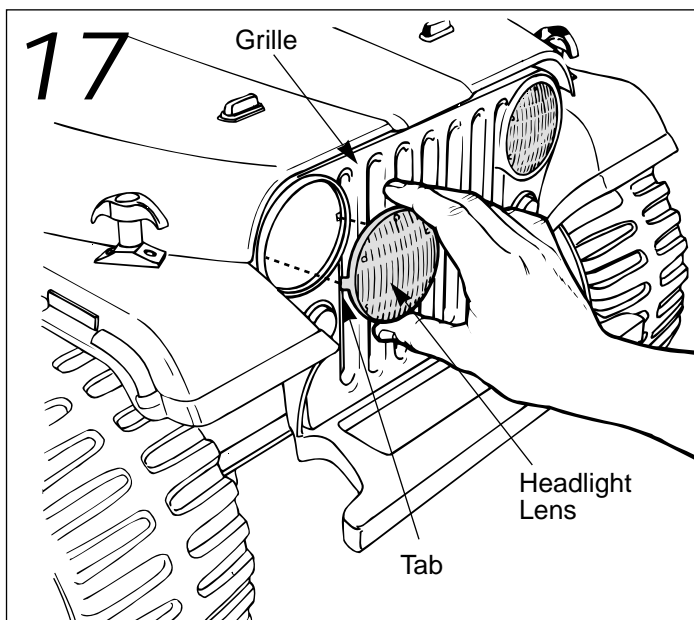


- Rotate the top of the windshield toward the front of the vehicle body.
- Insert four #8 x 1" screws through the holes in the hinge on the windshield and into the vehicle body.
- Tighten the screws with a Phillips Screwdriver. Do not over-tighten.

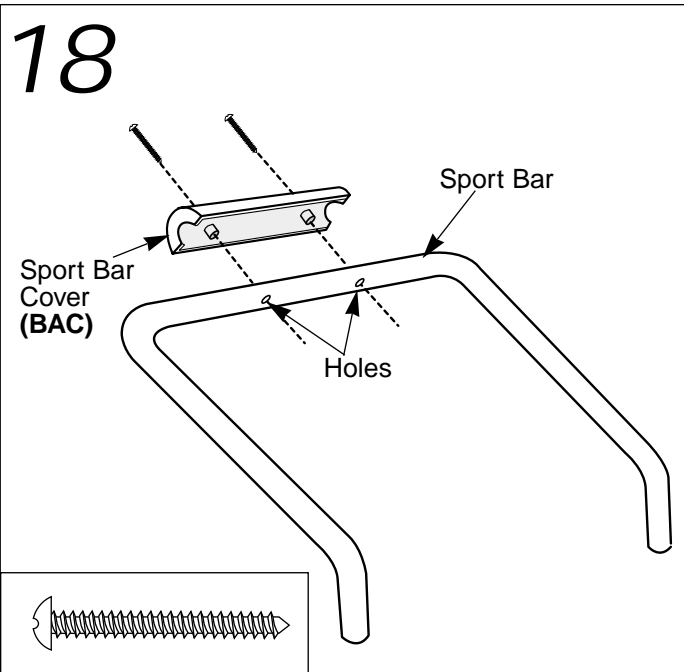
Assembly



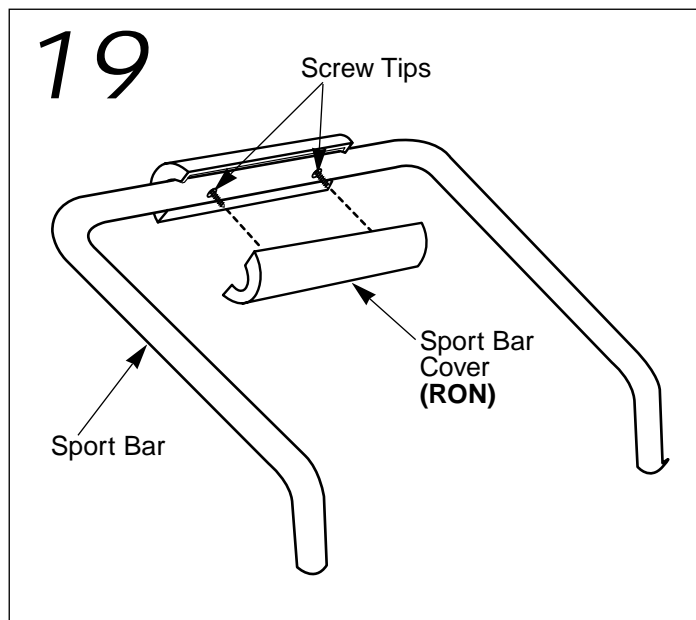
- Lift the hood.
- Fit the tabs at the bottom of the grille into the slots in the vehicle body.
- Press near the top of the grille to snap it into the vehicle body.
- Lower the hood.



- Fit the tab on one side of a headlight lens into the notch in the grille.
- Push firmly to snap the tab on the other side of the lens into the grille.
- Repeat this procedure to assemble the other headlight lens.

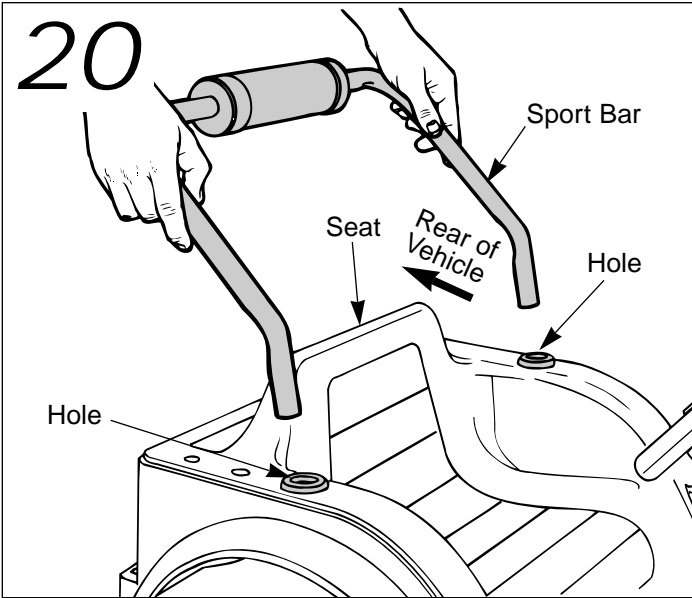


- With the ends of the sport bar angled toward you, fit the sport bar cover marked "BAC" to the sport bar.
- Align the holes in the sport bar with the holes in the sport bar cover.
- Insert two #6 x 1 1/2" screws through the sport bar cover and the sport bar, as shown.

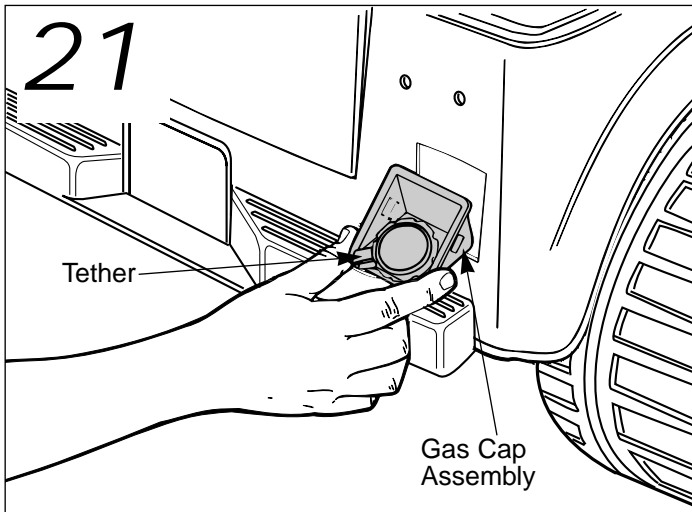


- Align the tips of the screws with the holes in the other sport bar cover marked RON. Fit the two sport bar covers together.
- Tighten the screws with a Phillips screwdriver. Do not over-tighten.

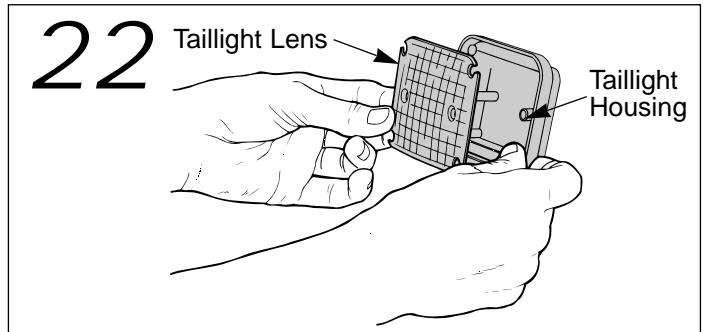
Assembly



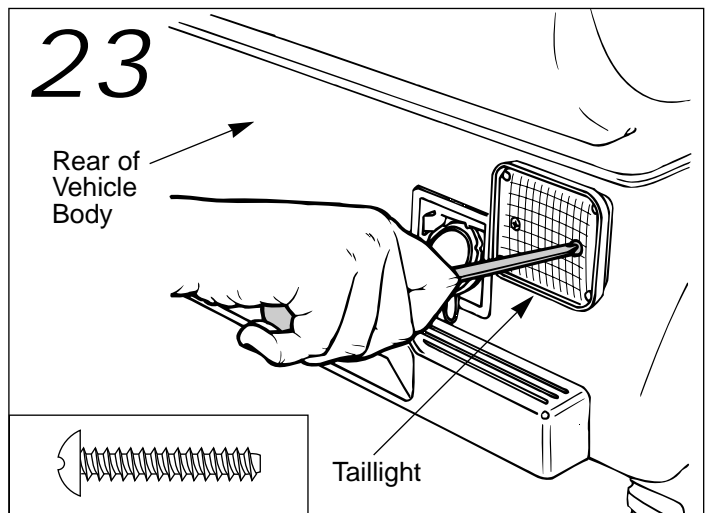
- With the sport bar positioned to angle towards the rear of the vehicle, fit the ends of the sport bar into the holes in the vehicle body on either side of the seat.
- Press firmly on each side of the sport bar to fit it into the vehicle body.



- With the gas cap tether pointing down, insert and snap the gas cap assembly into the square opening in the rear of the vehicle.

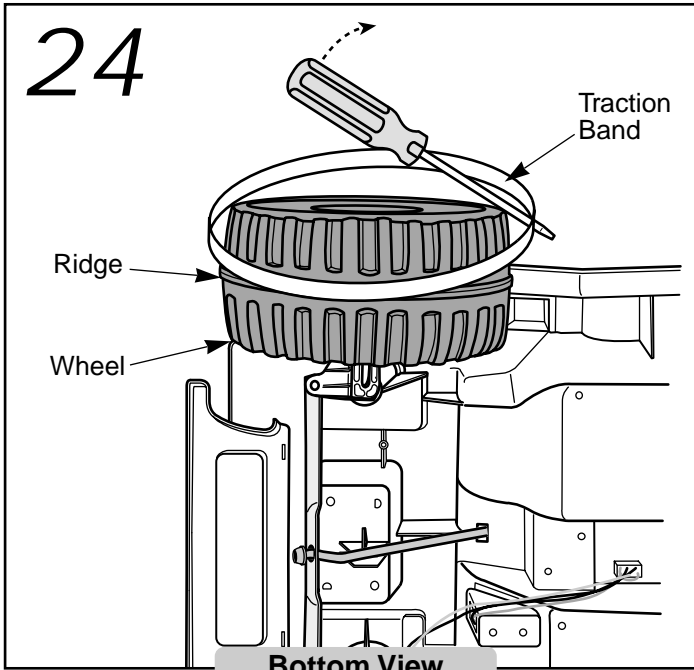


- Using safety scissors, separate the taillight lenses and taillight housings from the plastic connectors. Dispose of the plastic connectors properly.
- Fit a taillight lens in a taillight housing.



- Face the back of the vehicle.
- Align the holes in the taillight with the holes in the vehicle body.
- Insert two #8 x 1" screws through the holes in the taillight and into the vehicle body.
- Tighten the screws with a Phillips screwdriver. Do not over-tighten.
- Repeat steps 22 and 23 to assemble the other taillight lens and taillight housing to the vehicle body.

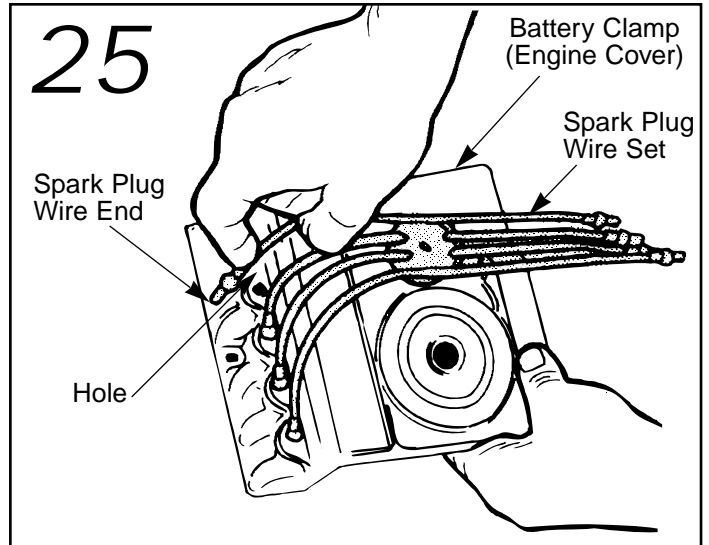
Assembly



- Turn the vehicle on its side.
- Fit a traction band around a wheel.
- Slide a slotted screwdriver under the traction band to push the traction band onto the ridge in the center of the wheel.

Hint: If the traction band is difficult to fit around the wheel, you may want to soak it in warm water to soften it slightly.

- Repeat this procedure to assemble a traction band to each wheel.



- Snap the center of the spark plug wire set onto the battery clamp (engine cover).
- Fit each of the spark plug wire ends into the holes on the sides of the battery clamp (engine cover).

IMPORTANT! You must install your Power Wheels® battery in your vehicle before assembling the battery clamp (engine cover) under the hood. Please refer to "Battery Installation" on page 16 for detailed instructions.

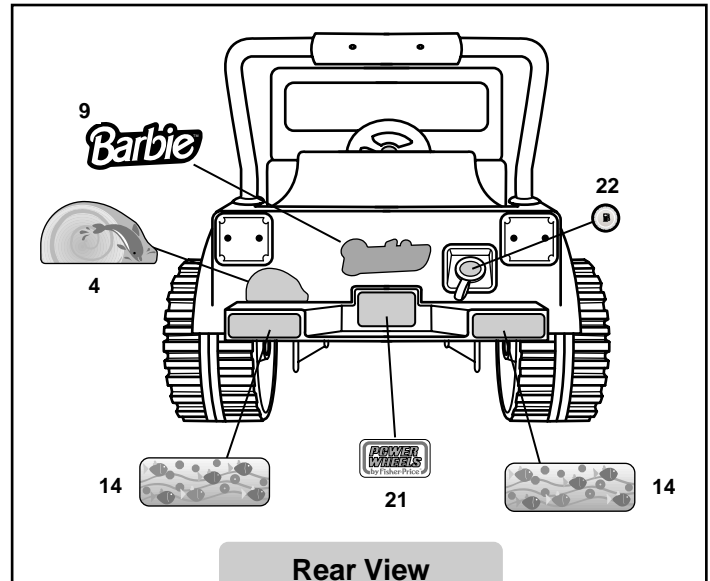
G

Label Decoration

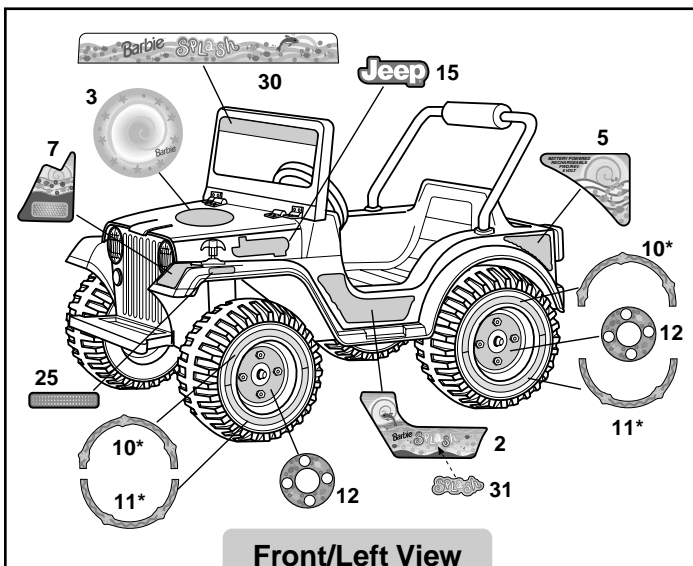
Proper label application will help to keep the labels looking their best! Keep the following guidelines in mind when applying labels:

- Wash your hands before applying the labels.
- Before applying the labels, wipe the surface of the vehicle with a clean, dry cloth to remove any dust or oils.
- Place the labels exactly as shown in these illustrations.
- For best results, avoid repositioning a label once it has been applied to the vehicle.
- After applying a label, rub the label firmly with a clean, dry cloth to make sure the label is adhered to your vehicle. Start at the center of a label and smooth towards the outer edges to remove air bubbles.

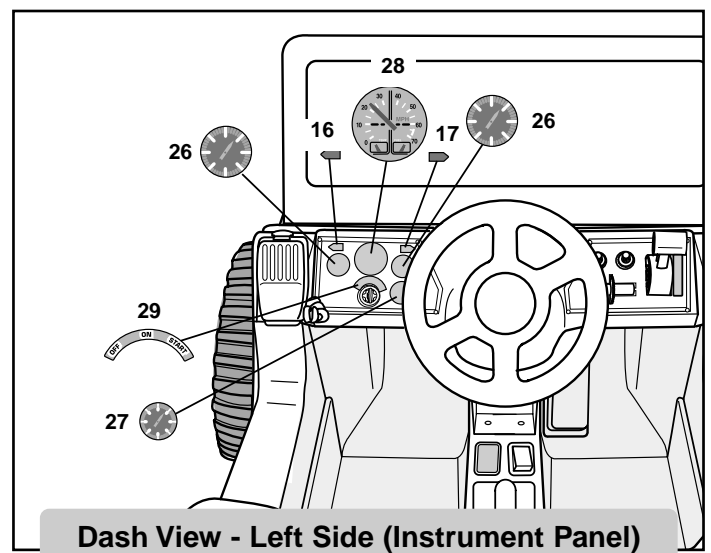
Hint: Labels 10 and 11 are designed to slightly overlap. For each wheel, apply label 10 before applying label 11. Align one edge of label 11 with the guide marks on label 10.



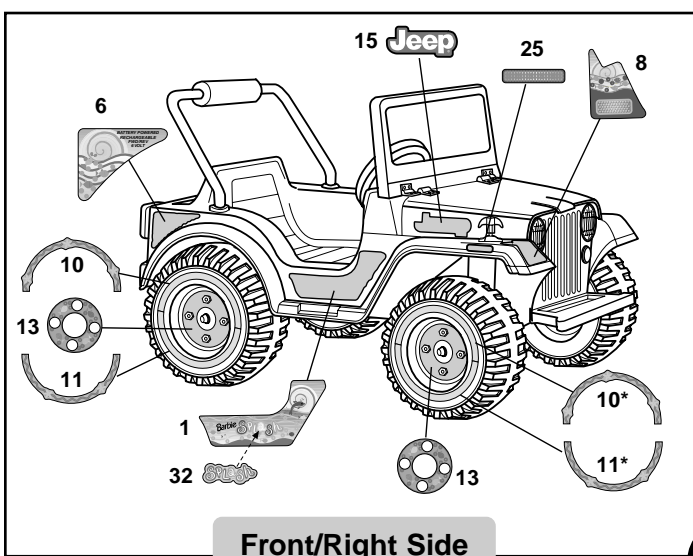
Rear View



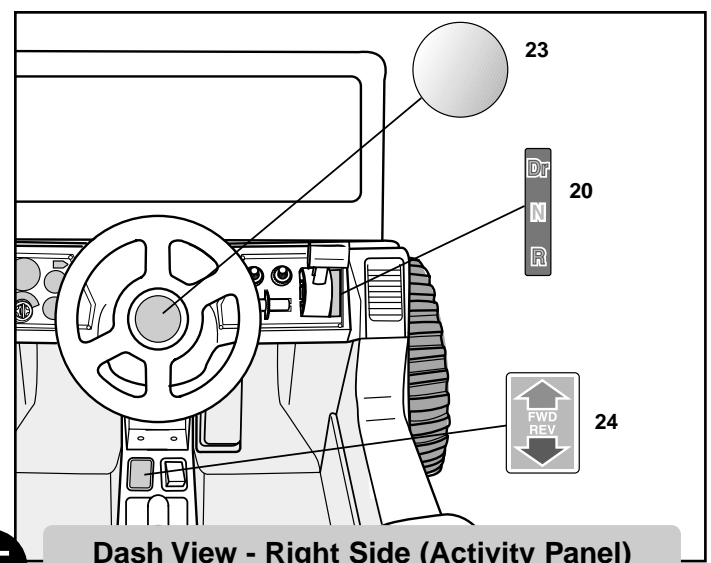
Front/Left View



Dash View - Left Side (Instrument Panel)



Front/Right Side

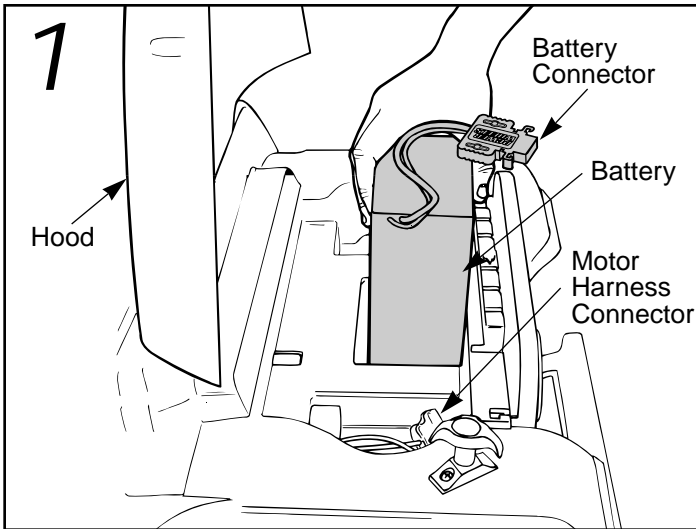


Dash View - Right Side (Activity Panel)

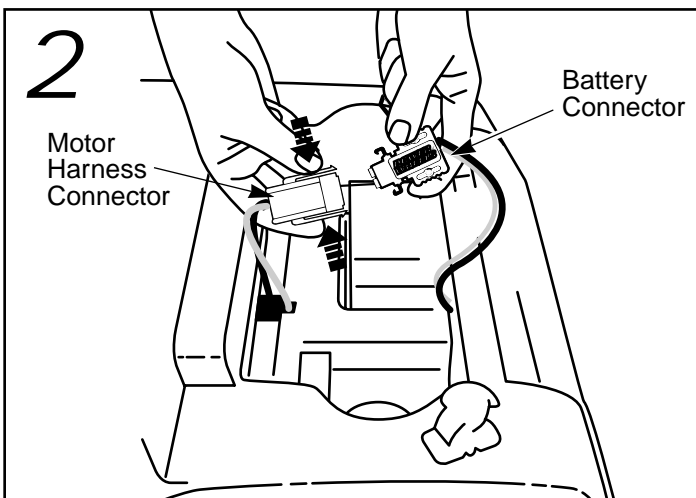
H

Battery Installation and Battery Clamp (Engine Cover) Assembly

IMPORTANT! Use only a Power Wheels® Type H 6 Volt battery with a Power Wheels® 25 Amp fuse installed. Use of any other battery or fuse will damage your vehicle. Make sure that you charge the battery for at least 18 hours using the enclosed Power Wheels® Type H 6 Volt charger before operating your vehicle for the first time. Charge the battery for at least 14 hours after each use of the vehicle. Never charge the battery longer than 30 hours. Failure to follow these instructions may damage your battery and will void your warranty.

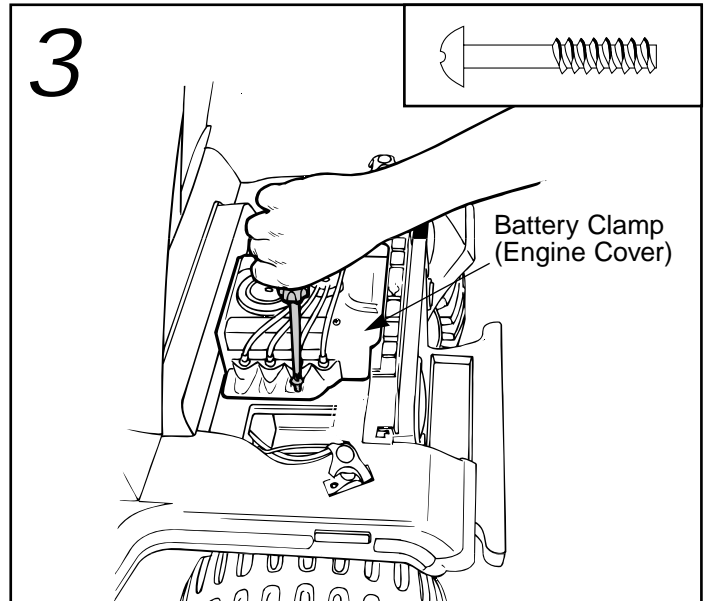


- Lift the hood.
- Place the battery in the battery compartment. Make sure the battery connector extends toward the motor harness connector.

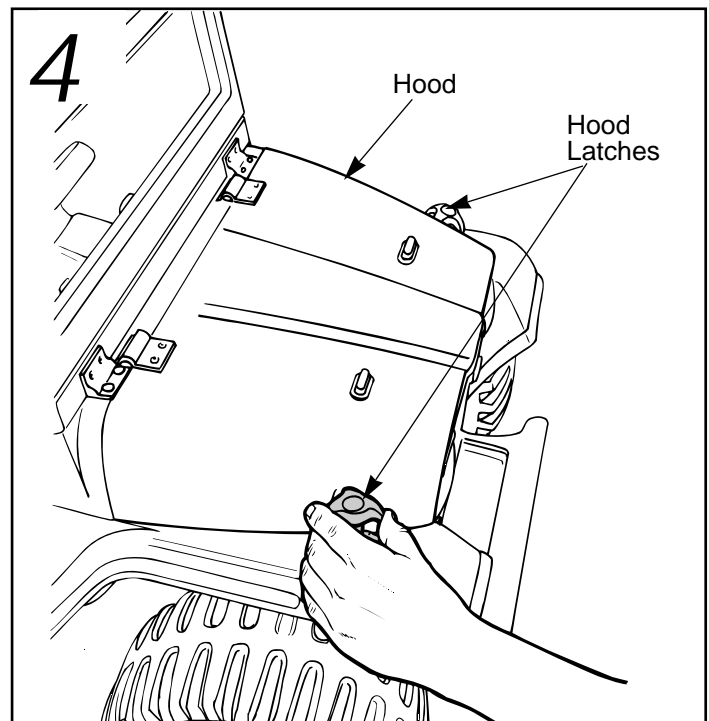


- Squeeze the tabs on each side of the motor harness connector. Plug the battery connector into the motor harness connector.

Note: If the battery connector will not plug into the motor harness connector, turn it over and try again. Do not force the battery connector into the motor harness connector.



- Fit the battery clamp (engine cover) over the battery, motor harness connector and battery connector.
- Insert two #8 x 18 x 1" screws through the holes in the battery clamp (engine cover) and into the vehicle body.
- Tighten the screws with a Phillips screwdriver. Do not over-tighten.



- Lower the hood. Lift the hood latches and fit the short tabs onto the notches on the hood to fasten it.

Care

If a battery leak develops, avoid contact with the leaking acid and place the damaged battery in a plastic bag. See information below for proper disposal.

If acid comes in contact with skin or eyes, flush with cool water for at least 15 minutes and call a physician.

If acid is internally ingested, give water, milk of magnesia or egg whites immediately. Never give emetics or induce vomiting. Call a physician.

- Charge a new battery for at least 18 hours before first use. Never charge the battery longer than 30 hours. Overcharging or undercharging the battery may shorten battery life and decrease vehicle running time.
- After the first charge, recharge the battery for at least 14 hours after each use. Never charge the battery longer than 30 hours. Charge the battery after each use, regardless of how long the vehicle was used.
- Attempting to charge the battery without a 25 amp fuse or with a blown fuse will not damage the battery, but it will not charge. Check the fuse to make sure it is in good condition each time you charge the battery.
- The battery must be upright while charging.
- Do not allow the battery to run down completely before charging.
- Charge the battery before storing the vehicle.
- Charge the battery at least once per month, even if the vehicle has not been used.
- Leaving the battery in a discharged condition will ruin it.
- Always remove an exhausted battery from the vehicle. Battery leakage and corrosion can damage the vehicle.
- Do not store the battery on a surface which could be damaged by the acid contained inside the battery. Take precautions to protect the surface on which you store the battery.
- Do not store the battery in temperatures above 75° F or below -10° F.
- Prevent the battery from moving freely inside the battery compartment. **Always use the battery clamp to secure the battery in the battery compartment.**
- Examine the battery, charger and their connectors for excessive wear or damage each time you charge the battery. If damage is detected, do not use the charger or the battery until you have replaced the worn or damaged part.

Disposal

- Your Power Wheels® battery is a sealed lead-acid battery. It must be recycled or disposed of in an environmentally sound manner.
- Do not dispose of a lead-acid battery in your regular, household trash. The incineration, landfilling or mixing of sealed lead-acid batteries with household trash is prohibited by law in most areas.
- Return exhausted batteries to a federal or state approved lead-acid battery recycler, such as a Power Wheels® authorized service center, or a local seller of automotive batteries. For the service center location nearest you, please call 1-800-348-0751. Contact your local waste management officials for other information regarding the environmentally sound collection, recycling and disposal of lead-acid batteries. If you live in the State of Florida or Minnesota, it is prohibited by law for anyone to throw away lead-acid batteries in the municipal waste stream.

RIDING HAZARD

 **WARNING**
Prevent Injuries and Deaths

- Direct Adult Supervision Required
- Keep Children Within Safe Riding Areas

These areas must be:

- away from swimming pools and other bodies of water to prevent drownings
- generally level to prevent tipovers
- away from steps, driveways, roads and alleys.

Teach Safety Rules to Children

While children can quickly develop the skill necessary to drive this vehicle, it is important to remember that their judgment skills are still very immature. Unsupervised driving by children can lead to serious injury. Before children use this vehicle, an adult should carefully evaluate the driving area as well as the children's skill level and ability to drive this vehicle safely. Children are not always able to recognize or anticipate hazards, even when they have been taught about them. **There is no acceptable substitute for direct adult supervision.**

Teach appropriate safety rules to your child before allowing operation of this vehicle. These rules should also be reviewed with neighborhood children or other playmates who want to drive this vehicle.

Riding Rules

Make sure children know and follow these rules for safe driving:

1. Always sit on the seat.
2. Always wear shoes.
3. Only 1 (one) rider at a time. A child who is not sitting on the seat or who is standing on the vehicle could fall off, cause a tip-over or block the driver's view. A child could be seriously injured.
4. Do not allow any child to drive the vehicle in the street or near moving (motorized) vehicles.
5. Do not allow any child to drive near bodies of water (such as pools or creeks), obstructions (such as furniture, low tree limbs or play equipment), or drop-offs (such as stairs or decks).
6. Do not allow any child to drive the vehicle in the dark. A child could encounter unexpected obstacles and have an accident. Operate the vehicle only in the daytime or a well-lit area.



Use vehicle on generally level ground ONLY!

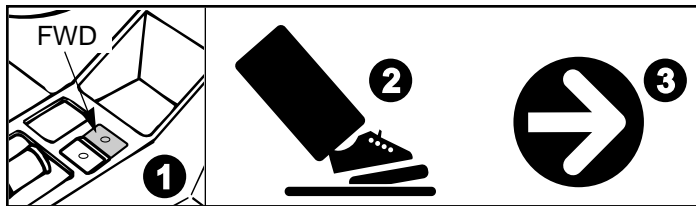
7. Do not allow your child to drive on sloped or inclined surfaces. **Restrict your child's driving to generally level ground ONLY!**
8. Do not allow your child to drive down or across a steep slope.
 - The vehicle may gain unsafe speed, even if the pedal is released to stop.
 - The vehicle may tilt and tip over.
 - The wheels could lose traction, causing the vehicle to slip.
9. Do not allow your child to drive up steep inclines. The motor may stop and the vehicle could roll backwards at an unsafe speed.
10. Never put anything near any moving parts. Rotating parts such as motors, gear boxes and wheels can snag fingers, hair, etc., causing serious injury. Do not allow operation of the vehicle when it is on its side or in an upside-down position.
11. Do not operate the vehicle near flammable vapors (gasoline, paint thinner, acetone, liquid wax, etc.). The vehicle's electrical switches, like most electrical switches, emit an internal spark when first turned on or turned off. The presence of flammable liquids or vapors could cause an explosion or a fire. Keep all flammable products in tightly sealed containers and away from the vehicle.
12. Do not allow a child to operate the vehicle without direct adult supervision. To prevent unsupervised use of the vehicle, disconnect the motor harness from the battery when the vehicle is not in use.

To disconnect the motor harness connector and battery connector:

 - Lift the hood.
 - Remove the battery clamp (engine cover).
 - Squeeze the tabs on the motor harness connector to unplug it from the battery connector.
 - Replace the battery clamp (engine cover).
 - Lower the hood and fasten the hood latches.

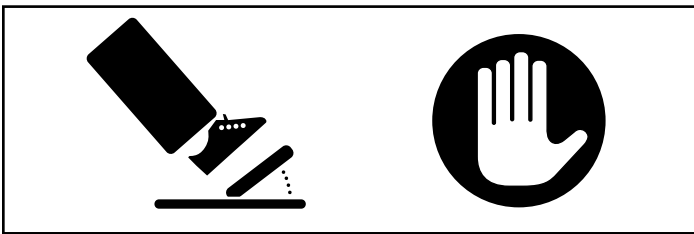
K

How to Operate Your Vehicle



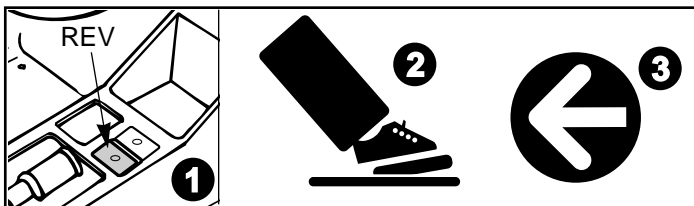
To Drive

- Push the top button (FWD) on the FORWARD/REVERSE switch to drive forward ❶ .
- Press down on the foot pedal ❷ . The vehicle will go forward at a maximum of 2½ mph ❸ .
- Help your child practice steering to learn how far and how quickly to turn the steering wheel when driving forward.



To Stop

- Your vehicle has a patented, electronic braking system that automatically stops the vehicle when your child's foot is lifted from the pedal.



To Back-Up

- Once your child is comfortable operating the vehicle in FORWARD, introduce REVERSE (REV).
- Note:** To prevent damage to the motors, stop the vehicle before switching between FORWARD and REVERSE.
- Push the bottom button (REV) on the FORWARD/REVERSE switch to drive in reverse ❶ .
 - Press down on the foot pedal ❷ . The vehicle will go in reverse at a maximum of 2½ mph ❸ .
 - Help your child practice steering to learn how far and how quickly to turn the steering wheel when driving reverse.

L

Caring For Your Vehicle

- Check all screws, cap nuts and protective coverings regularly and tighten as required. Check plastic parts on a regular basis for cracks or broken pieces.
- During snowy or rainy weather, the vehicle should be stored inside or under a protective cover. Remember to charge the battery at least once per month while your vehicle is not in regular use.
- Avoid operating the vehicle in wet or snowy conditions, and do not spray the vehicle with a hose. Do not wash the vehicle with soap and water. Water or moisture in the motor or electrical switches can cause them to corrode, and could cause switch or motor failure.
- Avoid operating the vehicle on sand, loose dirt or gravel. Sand, loose dirt or gravel in the motor or electrical switches can cause them to jam, and could cause switch or motor failure.
- The vehicle can be wiped down with a soft, dry cloth. For a shiny finish, you can wipe plastic parts with a non-wax furniture polish applied to a soft-cloth. Do not use automotive wax. Do not use soap and water or spray the vehicle with a hose.
- To ensure that your vehicle stays in good operating order, we recommend that you periodically have your vehicle checked by a Power Wheels® authorized service center. See page 25 for the list of authorized service centers or call **1-800-348-0751** for the location of the authorized service center nearest you.

M

Problems and Solutions Guide

IMPORTANT! If you experience a problem with your vehicle, first check the Problems and Solutions Guide below. If you still experience a problem, please contact Power Wheels® Consumer Relations, toll-free at **1-800-348-0751** between 8 AM and 6 PM (EST) Monday through Friday. Or, contact your local Power Wheels® authorized service center. For the location nearest you, please refer to the Authorized Service Center list beginning on page 25.

Problem	Possible Cause	Solution
Vehicle does not run	Undercharged battery	Charge the battery. A new battery should have been charged for at least 18 hours before using the vehicle for the first time. After first-time use, recharge the battery for at least 14 hours after each use. Never charge the battery longer than 30 hours.
		Check all connectors. Make sure the battery connector is tightly plugged into the charger connector, and that the charger is plugged into the wall.
		Make sure power flow to the wall outlet is "ON".
	Charger is not working	There is no sure way to tell if your charger is working unless you have a volt meter. If you suspect there is a problem with your charger, contact your local Power Wheels® authorized service center. They can test your charger for you.
	Wrong type or improperly installed fuse	Make sure that the battery has a properly installed Power Wheels® 25 amp fuse before charging. Do not substitute parts.
	Blown fuse	Make sure that the fuse in the battery is in good condition. Replace a blown fuse with a Power Wheels® 25 amp fuse. Do not substitute parts.
	Loose wire or loose connectors	Check all wires and connectors. Make sure the battery connector is tightly plugged into the motor harness connector, and that there are no loose wires around the motors.
	Dead battery	If your battery is old or if you have not followed Battery Care instructions, your battery may be dead. If you are unsure whether or not the battery is dead, you can have it tested at your local Power Wheels® authorized service center.
	Electrical switch damage	The electrical switches can become corroded due to exposure to water or moisture, or can jam due to loose dirt, sand or gravel. Contact your local Power Wheels® authorized service center for diagnosis and repair.
Motor damage	Contact your local Power Wheels® authorized service center for diagnosis and repair.	

Problems and Solutions Guide

Problem	Possible Cause	Solution
Vehicle was running but suddenly stopped	Loose wire or loose connectors	Check all wires and connectors. Make sure the battery connector is tightly plugged into the motor harness connector, and that there are no loose wires around the motors.
	Wrong type or improperly installed fuse	Make sure that the battery has a properly installed Power Wheels® 25 amp fuse before charging. Do not substitute parts.
	Blown fuse	Make sure that the fuse in the battery is in good condition. Replace a blown fuse with a Power Wheels® 25 amp fuse. Do not substitute parts.
	Vehicle is overloaded	Make sure you do not overload the vehicle by allowing more than 1 rider at one time, by exceeding the 50 lb maximum weight capacity, or by towing objects behind the vehicle.
	Driving conditions are too stressful	Use only on generally level ground. Extreme temperatures can also affect run time.
Short run time	Undercharged battery	Charge the battery. A new battery should have been charged for at least 18 hours before using the vehicle for the first time. After first-time use, recharge the battery for at least 14 hours after each use. Never charge the battery longer than 30 hours.
		Check all connectors. Make sure the battery connector is tightly plugged into the charger connector, and that the charger is plugged into the wall.
		Make sure power flow to the wall outlet is "ON".
	Overcharged battery	Do not charge the battery longer than 30 hours. If you suspect that your battery is damaged as a result of overcharging, contact your local Power Wheels® authorized service center. They can test your battery for you.
	Battery is old and will not accept full charge	Even with proper care, a rechargeable battery does not last forever. Average battery life is 1 to 3 years depending on use conditions. Replace the battery with a Power Wheels® Type H 6 Volt battery. Do not substitute parts.
	Wrong type or improperly installed fuse	Make sure that the battery has a properly installed Power Wheels® 25 amp fuse before charging. Do not substitute parts.
	Driving conditions are too stressful	Use only on generally level ground. Extreme temperatures can also affect run time.

Problems and Solutions Guide

Problem	Possible Cause	Solution
Vehicle runs sluggishly	Undercharged battery	Charge the battery. A new battery should have been charged for at least 18 hours before using the vehicle for the first time. After first-time use, recharge the battery for at least 14 hours after each use. Never charge the battery longer than 30 hours.
		Check all connectors. Make sure the battery connector is tightly plugged into the charger connector, and that the charger is plugged into the wall.
		Make sure power flow to the wall outlet is "ON".
	Battery needs charging	After approximately 3 hours of constant use, the battery needs charging.
	Wrong type or improperly installed fuse	Make sure that the battery has a properly installed Power Wheels® 25 amp fuse installed before charging. Do not substitute parts.
	Battery is old and will not accept full charge	Even with proper care, rechargeable batteries do not last forever. Average battery life is 1 to 3 years depending on the vehicle use and use conditions. Replace the battery with a Power Wheels® Type H 6 Volt battery. Do not substitute parts.
	Vehicle is overloaded	Make sure you do not overload the vehicle by allowing more than 1 rider at one time, exceeding the 50 lb weight capacity, or by towing objects behind the maximum vehicle. If the vehicle is overloaded, the fuse in the battery may blow. Remove the fuse from the battery and check to see if it has blown. Replace a blown fuse with a Power Wheels® 25 amp fuse.
Driving conditions are too stressful	Use only on generally level ground. Extreme temperatures can also affect run time.	
Sometimes the vehicle doesn't run but other times it does	Loose wire or loose connectors	Check all wires and connectors. Make sure the battery connector is tightly plugged into the motor harness connector, and that there are no loose wires around the motors.
	Motor or electrical switch damage	Contact your local Power Wheels® authorized service center for diagnosis and repair.
When the foot pedal is pressed, the vehicle won't run without a push	Loose wire or loose connectors	Check all wires and connectors. Make sure the battery connector is tightly plugged into the motor harness connector, and that there are no loose wires around the motors.
	"Dead Spot" on motor	Contact your local Power Wheels® authorized service center for diagnosis and repair.

Problems and Solutions Guide

Problem	Possible Cause	Solution
Vehicle constantly blows fuses	Wrong type of fuse used	Your vehicle requires a Power Wheels® 25 amp fuse in the battery. Make sure the Power Wheels® 25 amp fuse is properly installed. Do not substitute parts.
	Child is switching between FORWARD and REVERSE without stopping.	Teach your child to stop the vehicle before switching between FORWARD and REVERSE.
Loud clacking or grinding noise from a motor-gearbox	Broken gears	Contact your local Power Wheels® authorized service center for diagnosis and repair.
Charger gets warm during use	It is normal for some chargers to get warm during use and is not reason for concern. Some chargers do not get warm during use.	No action required.
		If your charger does not get warm during use, it does not mean that it is not working properly.
Battery makes a sizzling or gurgling noise when charging	It is normal for some batteries to make noise and swell slightly while charging and is not reason for concern. Some batteries do not make noise or swell while charging.	No action required.
		If your battery does not make noise or swell slightly during charging, it does not mean that it is not accepting the charge.

If, after reviewing the Problems and Solutions Guide, the vehicle still fails to operate, please contact your nearest authorized service center (see page 25) or contact Power Wheels® Consumer Relations toll-free at **1-800-348-0751**.

Hint: For faster service when calling Consumer Relations, completely charge the battery before calling and have the following available by the phone:

- vehicle,
- vehicle model number (see sticker in battery compartment),
- vehicle production run number (see sticker in battery compartment),
- Phillips screwdriver, slotted screwdriver and needle-nose pliers with plastic or rubber handles,
- an extra Power Wheels® 25 amp fuse is helpful.

***One year limited warranty from the date of purchase on the Power Wheels® vehicle. Six month limited warranty on 6 volt battery.**

For the original purchaser, this one year limited warranty covers the Power Wheels® ride-on vehicle (purchased from Power Wheels®) against defects in materials and work-manship. The six month limited warranty applies only to the 6 volt battery included by Power Wheels® with the original purchase of the vehicle.

This warranty covers normal use and does not cover the Power Wheels® vehicle or battery if it has been damaged by unreasonable use, neglect, accident, abuse, misuse, improper service or other causes not arising out of defects in materials or workmanship. Evidence of any attempt at consumer repair will void this warranty.

THIS WARRANTY DOES NOT COVER, AND IS INTENDED TO EXCLUDE, ANY LIABILITY ON THE PART OF POWER WHEELS®, WHETHER UNDER THIS WARRANTY OR IMPLIED BY LAW, FOR ANY INDIRECT OR CONSEQUENTIAL DAMAGES FOR BREACH OF WARRANTY. SOME STATES DO NOT ALLOW THE EXCLUSION OR LIMITATION, SO THIS LIMITATION MAY NOT APPLY TO YOU.

Should you need service or assistance with your vehicle during the warranty period, **do not return the vehicle to the store.** Power Wheels® has provided a nationwide network of authorized service centers. Please refer to the list in this manual. Power Wheels® is continually expanding our Authorized Service Center Network. If there is not an authorized service center in your area, please call Consumer Relations for information, **1-800-348-0751**.

This warranty gives you specific legal rights, and you may also have other rights which may vary from state to state.

Please save your original sales receipt.



Authorized Service Centers

We are continually expanding our Authorized Service Center Network. Please check this listing for the Authorized Service Center nearest you. If there is not one in your area, please call Power Wheels® Consumer Relations at 1-800-348-0751.

ALABAMA

BIRMINGHAM - Frigid Service & Sales, 701 Graymont Ave. North, 35203, (205) 323-5831

BIRMINGHAM - Frigid Service & Sales, 1861 Centerpoint Rd., 35215, (205) 853-3952

BIRMINGHAM (HOMEWOOD) - Frigid Appliance Center, 154 West Valley Ave., 35209, (205) 942-3959

DECATUR - Peddler II, 1000 B Beltline Road, 35603, (205) 350-1044

DOTHAN - Bill's Appliance Service, 208 Bic Road, P.O. Box 1192, 36303, (334) 792-7746

DOUGLAS - Brown Hardware, Highway 75, 35964, (205) 593-6086

HUNTSVILLE - C & G Appliance, 307 Jordan Lane, 35805, (205) 837-4551

MOBILE - Foster's Appliance Repair, 1660 South Beltline Highway, 36693, (334) 666-2670

NORTHPORT - Appliance Connection, 2703 McFarland Blvd, 35476, (205) 339-2774

TROY - Specialty Batteries, 1317 South Brundidge St., P.O. Box 1045, 36081, (334) 670-6800, (800) 477-8230

ALASKA

ANCHORAGE - Ken's Electronics Service, 360 E. International, Ste. 8, 99518, (907) 562-3443

FAIRBANKS - Appliance Service Co. Inc., 700 23rd Ave., 99701, (907) 452-1000

ARIZONA

COTTONWOOD - Blackhills Auto Electric, 951 Blackhills Dr. Suite D, 86326, (520) 634-4159

GLENDALE - Elliott Electric Appliance Service, 6242 N. 43rd Avenue, 85301, (623) 937-2613

SCOTTSDALE - Elliott Electric, 7515 E. McDowell Road, 85257, (480) 946-7487

TUCSON - Arizona Small Appliance Service Co., 5033 E 5th Street, 85711, (520) 325-3988

ARKANSAS

FT. SMITH - Bromley Appliance Service, 614 North 10th Street, 72901, (501) 782-9646

GLENWOOD - Gardening Plus, 110 North 2nd Street, 71943, (870) 356-2233

JONESBORO - Best Sewing & Vacuum & Repair, 2235 S. Caraway Road, 72401, (501) 935-4739, (800) 844-4739

LITTLE ROCK - C & W Tool Repair, 1303 W. Markham, 72201, (501) 374-1911

ROGERS - Kressel's Vacuum & Repair, 115 North 5th Street, 72756, (501) 636-7894

STUTTGART - Davis Lumber Company, 301 East Michigan, 72160, (501) 673-3601

CALIFORNIA

ANDERSON - Hardware Express/ Do It Best, 2681 Balls Ferry Road, 96007, (916) 365-3783

BAKERSFIELD - Southwest TV, 6300 White Lane, Suite B, 93309, (805) 397-4940

CONCORD - California Electric Service Center, 1170-G Burnett Avenue, 94520, (510) 827-1011

COVINA - California Electric Service Center, 612 Shoppers Lane, 91723, (818) 915-4935

FORT JONES - Ft. Jones Frontier Hardware, 11911 Main Street, 96032, (916) 468-2266

FRESNO - Valley Small Appliance, 4005 E. Ashlan Avenue, 93726, (209) 224-5530

FULLERTON - California Electric Service Center, 1208 E. Ash Avenue, 92631-5020, (714) 870-0900

LAKE FOREST - California Electric Service, 22500 Muirlands Suite B, 92630, (949) 586-9440

LOS ALAMITOS - California Electric Service Center, 11284 Los Alamitos Blvd., 90720, (562) 430-2668

OAKLAND - California Electric Service Center, 1139 E. 12th Street, 94606, (510) 834-1050

PASADENA - California Electric Service Center, 2594 E. Colorado Blvd., 91107, (818) 792-3194

SACRAMENTO - California Electric Service Center, 1821 "Q" Street, 95814, (916) 443-5711

SALINAS - SRS Hobbies, 1038A North Davis Road, 93907, (831) 424-4044, (800) 414-4547

SAN DIEGO - California Electric Service Center, 3430 El Cajon Blvd., 92104, (619) 283-6488

SAN JOSE - California Electric Service Center, 481 So. Bascom, 95126, (408) 295-1723

SANTA ROSA - Hardisty's Inc., 710 Farmers Lane, 95405, (707) 545-0535

SKY FOREST - Sky Forest Electrical, 28670 Highway 18 P.O. Box 496, 92385, (909) 337-0811

TEMECULA - California Electric Service Center, 41715 Enterprise Circle North, Suite 101, 92590, (909) 296-0205

VAN NUYS - California Electric Service Center, 14753 Oxnard Blvd., 91411, (818) 997-8855

WEST LOS ANGELES - California Electric Service Center, 2314 S. Westwood Blvd., 90064, (310) 475-2532

YUCAIPA - Aire-Rite Heating & A/C, 34724 Yucaipa Blvd., 92399, (909) 797-2788

COLORADO

COLORADO SPRINGS - Nelson Appliance Repair, Inc., 1220 E. Fillmore, 80907, (719) 635-1928, (800) 291-8010

DENVER - Appliance Service, 4272 Lowell Blvd., 80211, (303) 458-1109, (800) 631-0941 (CO, WY only)

GRAND JUNCTION - V & L Appliance Service, 591 25 Road Suite A6, 81506, (970) 243-3360

PUEBLO - Direct Maytag Home Appliance, 1407 Santa Fe Drive, 81006, (719) 543-0777

CONNECTICUT

HARTFORD - Hartford Element & Appliance Service, 1500 Albany Avenue, 06112, (860) 246-7424, (800) 787-7977

NEW HAVEN (HAMDEN) - New Haven Appliance Service Center, 1627 Dixwell Avenue, 06514, (203) 288-6229

SHELTON - Jeff's Appliance, Inc., 500A Howe Avenue, 06484, (203) 924-8997

STAMFORD - Appliance Servicer of Stamford, 15 Cedar Heights Road, 06905, (203) 322-7656

WATERBURY - P.J. Appliance Repair, 935 South Main Street, 06706, (203) 757-1014

DELAWARE

WILMINGTON - Lyons Hardware, Inc., 2021 Kirkwood Highway, 19805, (302) 995-1260

FLORIDA

ATLANTIC BEACH - First Coast Repair, 25 Seminole Road, 32233, (904) 246-4616

BOYNTON BEACH - Mister Fixit Small Appliance, 1865 W. Woolbright Road, 33425, (561) 243-9999

CALLAHAN - Arc Electronic Repair, 951 Blackhills Dr. Suite D, 32011, (904) 879-3556

CAPE CORAL - Family Hardware/Do-It Express, 622 SE 47th Terrace, 33904, (941) 542-6365

DELRAY - Mister Fix It, 209 S.E. 2nd Avenue, 33483, (561) 243-9999

GAINESVILLE - Authorized Appliance Service Co., 2614 S.W. 34th Street, 32608, (352) 375-3886

HIALEAH - S-O Service Co., 925 Hialeah Drive, 33010, (305) 887-6275

HOMESTEAD - C. M. S., Inc., 1996 N. E. Campbell Drive, 33033, (305) 247-9700

JACKSONVILLE - Authorized Appliance Service Co., 6120-5 Powers Avenue, 32217, (904) 737-5312

LAKECITY - S&S Mowers Inc., RT. 10 Box 35916, 32025, (904) 755-2957

LAKELAND - Electric Shaver & Small Appliance, 4243 S. Florida Avenue, 33813, (863) 644-4690

MIAMI - Goodman's Sales & Service, 13130 SW 128 Street # 3, 33186, (305) 278-8822

NORTH PALM BEACH - Appliance Doctors, 450 Northlake Blvd., 33408, (407) 845-0377

OCALA - Vacuums Center and Gifts, 422 South Pine Street, #103, 34474, (352) 732-6335

ORLANDO - Pine Hills Appliance Svc. Co., 6100-4 W. Colonial Drive, 32808, (407) 299-1271

ORLANDO - Southern Electric Co., 510 N. Parramore Avenue, 32801, (407) 841-8824, (800) 940-8824

PANAMA CITY - Callaway Vacuum & Sewing, 221 N. Tyndall Prkwy., 32404, (904) 763-6333

PENSACOLA - Foster's Appliance Repair, 3836 N. Davis Highway, 32503, (904) 432-8853

POMPANO BEACH - Authorized Appliance Service Co., 2171 N. Dixie Highway, 33060, (954) 941-2038

PORT ST. LUCIE - Appliance Doctors, 10632 South Federal Hwy, 34952, (561) 878-7869

SARASOTA - Sunray Small Appliances, 8371 N. Tamiami, 34243, (941) 358-9999, (800) 895-5655

SEBRING - Ace Hardware Of Sebring, 305 U.S. 27 North, 33870, (863) 385-2785

SPRING HILL - Ace Hardware #5304F, 5350 Spring Hill Dr., 34606, (352) 686-4743

Authorized Service Centers

SPRING HILL - National Floor Care, 5588 Commercial Way, 34606, (352) 686-6711, (800) 245-1946

ST. PETERSBURG - Keystone Electric, 4604 Central Avenue, 33711, (813) 321-1124

STUART - Appliance Doctors, 3166 S.E. Dixie Highway, 34997, (561) 287-6437

SUNRISE - Muller Appliance Service, 2116 North University Drive, 33322, (954) 749-5460

VERO BEACH - Hoppe's Authorized Vacuum and Appliance, 1872 Commerce Avenue, 32960, (561) 562-4466

WEST PALM BEACH - Satisfaction TV Video, 1980 South Congress Avenue, 33406, (561) 439-3733, (800) 477-3734

WILLISTON - Future Electronics, 10 SW 7th Street, 32696, (352) 528-5599, (800) 416-1114

GEORGIA

ATLANTA - Georgia Service Center, 5366 Buford Hwy., 30340, (770) 455-1716, (800) 455-1715

AUGUSTA - A & A Appliance Parts & Service, 1708 Walton Way, 30904, (706) 733-5163

BRUNSWICK - Arco Hardware & Supply, 3711 Community Road, 31520, (912) 267-0771

COLUMBUS - Burrell's National Appliance Service, 1728 Warm Springs Road, 31904, (706) 327-0523

GAINESVILLE - Bike Town USA, 1604 Dawsonville Highway, 30501, (770) 532-7090

LOGANVILLE - Loganville Lawn Mower, 157 C. S. Floyd Road, 30052, (770) 466-9111

SAVANNAH - Hagins Appliance Service, 3 West Victory Drive, 31405, (912) 233-8372

THOMASVILLE - Carroll Hill Auto, 115 Albany Road, 31799, (912) 266-0717

VALDOSTA - Harry B. Anderson, Inc., 204 E. Central Avenue, 31601, (912) 242-5945

WOODSTOCK - All City Appliance Inc., 8477 Highway 92 Suite 110, 30189, (770) 924-2375

HAWAII

HONOLULU - McCully Bicycle & Sporting Goods, 932 Hausten Street, 96826, (808) 946-1192

WAILUKU (MAUI) - Tom's Appliance Sales & Service, 891 Eha Street, 96793, (808) 244-6278

WAIPAHU - Gary's Bike World, 94-910 Moloalo Street, 96797, (808) 375-4262

IDAHO

BOISE - Boise Appliance, 1503 Main Street, 83702, (208) 343-0102

IDAHO FALLS - Rossiter Electric, 1501 South Capital Avenue, 83402, (208) 529-3665

ILLINOIS

CHAMPAIGN - Appliance Parts & Service Center, 905 Francois, 61821, (217) 355-0220

CHICAGO (BERWYN) - Brand Service Center, 6739 West Cermak, 60402, (708) 749-4315

CHICAGO (DOWNER'S GROVE) - Authorized Appliance Service Co., 1644 W. Ogden Avenue, 60515, (630) 852-1550

CHICAGO (MORTON GROVE) - Brand Service Center, Inc., 5618 Dempster Street, 60053, (847) 965-5900

DECATUR - Rexx Battery of Decatur, Inc., 1330 East Eldorado, 62521, (217) 422-0281

FAIRVIEW HEIGHTS - Rapid Rentals, 720 Lincoln Highway, 62087, (618) 632-0630

GRANITE - Midwest Golf Car & Equipment Co, 904 Thorngate Road, 62040, (618) 797-2278

HAMILTON - Discount Battery Sales, #80 S 2nd Rte. 136, 62341, (217) 847-3242

JACKSONVILLE - Rexx Battery Specialists, 847 South Main Street, 62650, (217) 245-2713

LINCOLN - Rexx Battery Specialists, 504 Keokuk, 62656, (217) 732-2885

LOVES PARK - Hi-Tech Controls Inc., 2198 Nimitz Road, 61111, (815) 637-4015

MT. VERNON - Battery Specialists, 1018 South 10th Street, 62864, (618) 244-0091

NASHVILLE - Kesel Hardware, 173 West St. Louis, 62263, (618) 327-8957

NILES - Household Appliance Sales & Serv., 7411 N. Milwaukee Ave., 60714, (847) 647-8250

PEORIA - Brand Service Center, 6926-I North University Street, Tanglewood Center, 61614, (309) 691-7588

SPRINGFIELD - Bannon Electronics, 1224 N. Franklin, 62702, (217) 523-0313

TAYLORVILLE - Battery Specialists + Golf Cars, 800 Springfield Road, 62568, (217) 824-3943

INDIANA

EVANSVILLE - Electro Hygiene Co., 1614 South Kentucky, 47714, (812) 425-2671

FT. WAYNE - HWI Hardware & Paint, 6043 Stellhorn Road, 46815, (219) 485-8861

FT. WAYNE - Southside Vacuum Co. Inc., 3702 South Calhoun Street, 46807, (219) 745-7788, (888) 209-8113

INDIANAPOLIS - Brand Service Center, 1827 N. Meridian Street, 46202, (317) 924-1386

INDIANAPOLIS - Sullivan Hardware Do-It Center, 7021 N. Keystone, 46220, (317) 255-9230

NEW ALBANY - Wells Hardware, Inc., 1011 Vincennes Street, 47150, (812) 944-4523

SOUTH BEND - Ray's TV and Appliance, 60717 US 31 South, 46614, (219) 291-1630

SOUTH BEND (OSCEOLA) - AAA Appliance Service Co., 11868 Lincoln Way West, 46561, (219) 679-4981

TERRE HAUTE - Corey Electronics, 1101 S. 8th Street, 47802, (812) 232-8786, (888) 232-8786

IOWA

BETTENDORF - K & K True Value Hardware, 1818 Grant Street, 52722, (319) 359-4473

CEDAR RAPIDS - Stalker Electric, Inc., 110 3rd Ave. SW, 52404, (319) 364-5646

COUNCIL BLUFFS - Millard Television Inc., 1840 Madison Avenue, 51501, (712) 322-9552

DES MOINES - Quality Appliance Repair Center, 1417 Walnut Street, 50309, (515) 288-0108

DUBUQUE - Shaver's Plus, 450 Central Avenue, 52001, (319) 556-4442

FT DODGE - Messerly Electronics, 614 1st Avenue South, 50501, (515) 576-4480

GRINNELL - Bikes To You Inc., 921 Broad Street, 50112, (515) 236-8600

MARSHALLTOWN - Blink Electric Motors, Inc., Rear 116 N 1st Avenue, 50158, (515) 752-3036

NORTH LIBERTY - Ace Electric, Inc., 165 Hwy 965 NE, 52317, (319) 626-3007, (800) 326-3007

SIoux CITY - Millard Television Inc., 1419 Hamilton Blvd., 51103, (712) 258-3435

KANSAS

CHANUTE - Zimmerman Electric Service, 1202 West Beech, P.O. Box 533, 67720, (316) 431-2260, (800) 362-0909

COLBY - Gavon's Electronics, 1870 South Range, 67701, (913) 462-6601

JUNCTION CITY - R/C Hobbies, 115 W. 7th Street, 66441, (913) 238-1877

KANSAS CITY (OVERLAND PARK) - Mar-Beck Appliance Service Co., 8471 West 95th Street, 66212, (913) 642-1557

SPEARVILLE - Quality Parts, P.O. Box 126, 406 North Main, 67876, (316) 385-2624

WICHITA - Alan Appliance Service, Inc., 1300 E. Central, 67214, (316) 262-7228, (800) 290-7228

KENTUCKY

GREENVILLE - Malone Lumber Do-It Center, 204 W. Depot Street, 42345, (270) 338-3252

LEXINGTON - AutoHobby Model Raceway, 1474 Anniston Drive, 40505, (859) 299-4925

LOUISVILLE - Maury's Fluorescent & Appliance Service, 1521 Bardstown Road, 40205, (502) 456-1671

OWENSBORO - Kuester's Hardware, 1210 Carter Road, 42301, (270) 685-4916

PADUCAH - Hank Brothers True Value, 3101 Lone Oak Rd., 42003, (270) 554-4001

LOUISIANA

BAKER - Gayle Battery Distributors, 16555 Plank Road, 70714, (225) 774-7475

BATON ROUGE - Home Appliance Service, Inc., 10781 Florida Blvd., 70815, (504) 272-7727

HAMMOND - Battery Depot, 2323 Hwy. 190 East Suite #4, 70401, (504) 542-4983

LAFAYETTE - Cullen's Playland, 4498 Johnston Street, 70503, (337) 981-2929

LAKE CHARLES - Capitol Schwinn Cyclery, 722 E. Prien Lake Road, 70605, (337) 474-9090

NEW IBERIA - Voorhies Supply Company, 401 W. St. Peter Street, 70560, (337) 364-2431

NEW ORLEANS (METAIRIE) - Le Jouet, Inc., 1700 Airline Hwy., 70001, (504) 837-0533

SHREVEPORT - Shreveport Shaver and Appliance, 9750 St. Vincent, Burt Kouns Ind. Loop, 71106, (318) 865-5088, (800) 349-7722

MAINE

GREENE - Brule's Auto Clinic & Sales, 968 Sawyer Road, 04236, (207) 375-4872

PERU - Mountain Valley Sports, 58 Ridge Road, 04290, (207) 562-7164

PORTLAND - Colonial Electronics, Inc., 259 St. John Street, 04102, (207) 774-6666

Authorized Service Centers

MARYLAND

ABERDEEN - Burkheimer Garden Equipment, 651 Gilbert Road, 21001, (410) 734-4577

BALTIMORE - Colgate Hardware, 6711 Holabird Ave., 21222, (410) 633-6363

BERLIN - Myers Auto-Power Tool Rental Co., Inc., 10714 Ocean Gateway, 21811, (410) 641-3497

GAITHERSBURG - Waters Appliance Service, 216 E. Diamond Avenue, 20877, (301) 258-7500, (800) 225-5009

GLEN BURNIE - Taylor Rental, 7389 Baltimore Annapolis Blvd., 21061, (410) 768-1933, (800) 836-8464

LOVEVILLE - Hancock Refrigeration Co Inc, 28650 Point Lookout Rd, 20656, (301) 475-8298

MASSACHUSETTS

BOSTON (MEDFIELD) - Wills Hardware, 5 Janes Avenue, 02052, (508) 359-4381

LOWELL - Lowell Appliance Service Center, Inc., 564 Dutton Street, 01854, (508) 454-8731

MAYNARD - Gramp's Garage, 16 Main Street, 01754, (508) 461-0463

NEEDHAM - Suburban Appliance Service Center, 34 Wexford Street, 02492, (781) 449-8787

QUINCY - Appliance Service and Parts, Inc., 582 Washington Street, Route 3A, 02169, (617) 773-6656

SALEM - Fix Master, Inc., 190 North Street, 01970, (508) 745-0004

SPRINGFIELD - Utility Electric Service, Inc., 810 Main Street, 01101, (413) 781-1635

MICHIGAN

ALMA - JTS Electronics, LLC, 306 East Center Street, 48801, (517) 463-5871

ALMONT - Almont Hardware, 4545 Van Dyke, P.O. Box 511, 48003, (810) 798-8922

BAY CITY - Bay Vac & Pedal, 805 Columbus Ave., 48708, (517) 892-7516

BRIGHTON - Complete Battery Source, 8023 W. Grand River, 48116, (810) 220-1050

DEARBORN - McNichols Electric Service, 1836 Grindley Park, 48124, (313) 563-7550

DETROIT - McNichols Electric Service, 13725 W. McNichols, 48235, (313) 342-6070, (800) 562-4226

DETROIT (ROYAL OAK) - McNichols Electric Service, 4115 West 13 Mile Road, 48072, (810) 288-5135

FLINT (DAVISON) - Gill-Roy's Hardware, 8405 East Davison, 48423, (810) 653-2288

FLINT (SWARTZ CREEK) - Gill-Roy's Hardware, 9061 Miller Road, 48473, (810) 635-2020

GAYLORD - Alpine Electronics, 604 West Main, 49735, (517) 732-5004, (800) 244-6633

GRAND RAPIDS - Superior Appliance Service Co., 1050 Scribner Avenue, NW, 49504, (616) 459-3271

JACKSON - Hammond Hardware, 1800 Francis St., P.O. Box 7, 49204, (517) 782-0704

KALAMAZOO - Consumer Repair, 3938 S. Westnedge, 49008, (616) 344-1200

LANSING - Rapid Appliance Service, Inc., 1454 E. Michigan Avenue, 48912, (517) 485-1320

MARLETTE - Thumb Appliance and Retail Center, 3441 Main Street, 49684, (517) 635-7848

MIDLAND - Gill-Roy's Complete Hardware, 3128 Jefferson Ave., 48640, (517) 832-2774

PRUDENVILLE - Ford's Do-It Center, 841 W. Houghton Lake Drive, 48651, (517) 366-7622

ROYAL OAK - McNichols Electric Service, 4115 Thirteen Mile Road, 48072, (248) 288-5135

TRAVERSE CITY - Gil-Roy's Hardware, 2701 Zimmerman Road, 49684, (231) 929-8160

MINNESOTA

BLAINE - Barness #1, 8701 Central Ave. NE, 55434, (763) 780-7229

BRAINERD - Git A'Round, 4299 Hwy. 371 North, 56401, (218) 828-8088

DULUTH - All Brand Mr. Fixit, 16 West First Street, 55802, (218)-722-1499

MINNEAPOLIS (ST. LOUIS PARK) - Barness, 4631 Excelsior Blvd., 55416, (612) 926-0521

ST. PAUL - Barness, 1573 University Avenue, 55104, (612) 646-3109

MISSISSIPPI

HATTIESBURG - Champion Cycle & Fitness, 2625 Lincoln Road, 39402, (601) 310-0270

IUKA - W. H. Fairless Hardware Co., Inc., 117 Fulton Street, 38852, (662) 423-9256, (800) 797-9457

JACKSON (RIDGELAND) - Propeller Service, 291 Hwy. 51, Suite D6, 39157, (601) 856-3191

MERIDIAN - Broadmoor Home Center, 2420 Old North Hills Street, P.O. Box 3280, 39305, (601) 483-7373

SALTILLO - Polaris Outdoor World, 3463 Tom Watson Drive, 38866, (662) 680-4733

STARKVILLE - East Mississippi Lumber Co., 300 Russell Street, 39759, (662) 323-3554

MISSOURI

GLADSTONE - Mar-Beck Appliance Service Co., 6559 North Oak Traffic Way, 64118, (816) 436-9191

HANNIBAL - Williams Equipment & Electric Motor, 124 Corporate Square, 63401, (573) 248-3887, (877) 234-6873

INDEPENDENCE - Mar-Beck Appliance Service Co., 4476 South Noland Road, 64055, (816) 478-1889

KANSAS CITY - Mar-Beck Appliance Service Co., 303 W. 79th Street, 64114, (816) 523-6931

POPLAR BLUFF - Mills Iron & Supply, 1919 S. Westwood Blvd., 63901, (573) 785-2628

ST. LOUIS - Authorized Appliance, Inc., 2355 Hampton Avenue, 63139, (314) 647-4250

MONTANA

BILLINGS - Radio Equipment Company, 1120 16th Street West, 59104, (406) 256-9778, (800) 711-4024

NEBRASKA

GRAND ISLAND - Mundt's Small Appliance & Vacuum Repair, 1822 W. Northfront Street, 68803, (308) 382-5084

LINCOLN - CB Small Appliance, 432 South 11th Street, 68508, (402) 475-2546

LINCOLN - Sperry TV, 1115 North 47th St., 68503, (402) 464-9181

LINCOLN - Sperry TV, 2013 Highway 2, 68502, (402) 464-9181

NORTH PLATTE - Sperry TV, 1855 West A Street, Westfield Shopping Center, 69010, (308) 532-5200

OMAHA - Myers Electric Co., 7342 Farnam, 68114, (402) 393-8388, (800) 234-1414

NEVADA

LAS VEGAS - Burney's Commercial Service, Inc., 4480 Aldebaran Avenue, 89103, (702) 736-0006

MINDEN - Valley Home & Sport Center, 1587 Highway 395, 89423, (775) 782-5111

NEW HAMPSHIRE

MARLBOROUGH - Electronics Aid Inc., 32 Roxbury Road P.O. Box 325, 03455, (603) 876-4161

NEW JERSEY

DENVILLE - Ranft's Denville Vacuum & Appliance, 12 Broadway, 07834, (973) 627-1156

HAWTHORNE - Ter Kuile, Inc., 206 Diamond Bridge Avenue, 07506, (201) 423-1142

HIGHLAND PARK - Dash Electronics, 10 North Second Ave, 08904, (732) 247-2495

HOWELL - South Jersey TV Service, Inc., 4232 Rt. 9 South, 07731, (908) 363-5550, (800) 244-3094

MAPLEWOOD - Kiss Electrical, 36 Newark Way, 07040, (973) 275-9400

SICKLERVILLE - Sicklerville Hardware, 540 Williamstown Road, 08081, (856) 728-3800

TOMS RIVER - South Jersey TV Service, Inc., Stella Towne Center, 1258 Route 166, 08753, (908) 505-1771

TRENTON - Tattersall, Inc., 309 N. Willow Street, 08618, (609) 393-4293

NEW MEXICO

ALBUQUERQUE - Appliance Service Center, 5505 Silver Avenue, SE, 87108, (505) 265-7774

CLOVIS - Burns Hardware, 1511 N. Prince, 88101, (505) 769-2528

NEW YORK

ALBANY - Lake Electronic Service, 1650 Central Avenue, 12205, (518) 869-8424, (800) 585-3777

BAYSHORE, L.I. - Turnpike Appliance of Suffolk, Inc., 1253 Sunrise Highway, 11706, (631) 665-8311

BINGHAMTON - Hardware Fare DO-IT Center, 1139 Front Street, Nimmonsburg Square, 13905, (607) 722-9202

BRONX - Home Appliance Vacuum Word, 5902 Riverdale Avenue, 10471, (718) 884-4600

BUFFALO (WILLIAMSVILLE) - Hector's Hardware, 876 Maple Road, 14221, (716) 688-4488

BUFFALO (HAMBURG) - K-Technologies, 5424 Abel Road, 14075, (716) 649-5460

COMMACK, L.I. - Turnpike Appliance Service, 6181 Jericho Turnpike, 11725, (631) 499-3355

EAST AURORA - Sem-Fab of Western New York, 455 Olean Road, 14052, (716) 655-5228

ELMIRA - Capabilities, Inc., 1149 Sullivan Street, 14901, (607) 734-2006

HOWARD BEACH - Crossbay Appliance Service, 158-34 Crossbay Blvd, 11414, (718) 843-4422

HUDSON - Sweeps Vacuum & Repair Center, Inc., 705 Warren Street, 12534, (518) 828-5457

Authorized Service Centers

MONTICELLO - Wayne's Small Engine, 79 St. John Street, 12701, (914) 796-1851

OCEANSIDE - Turnpike Appliance Service, 3495A Lawson Boulevard, 11572, (516) 486-5700

POUGHKEEPSIE - S & S Appliance Sales & Service, 390 Violet Avenue, 12601, (914) 452-6122

RICHMOND HILL - Lockdoctor Locksmiths, 104-37 Atlantic Ave., 11418 (718) 441-6242

ROCHESTER - Benfante Appliance Service, 1286 Mt. Hope Avenue, 14620, (716) 473-8765

STATEN ISLAND - Springstead Lumber 6232, 4255 Amboy Road, 10308, (718) 984-0300

SYRACUSE - County Wide Appliance, 1001 N. State Street, 13208, (315) 479-5253, (877) 479-5253

TUCKAHOE - Authorized Appliance of Westchester, 26 Columbus Ave., 10707, (914) 961-8011

WARWICK - Wadeson Home Center, 60 Forester Avenue, 10990, (914) 986-2215, (800) 982-2215 (NY only)

YORKVILLE - Yorkville Battery Inc., 126 Whitesboro Street, 13495, (315) 736-2307

NORTH CAROLINA

ANDREWS - Smoky Mountain Hobbies, 200 Stewart Road, 28901, (828) 321-9836

ASHEVILLE - Skyland Hardware, 3179 Sweeten Creek Road, 28803, (704) 684-0308

CHARLOTTE - Authorized Appliance Servicenter, 1020 Tuckaseegee Road, 28208, (704) 377-4501, (800) 532-6127

CLINTON - Danny's Service Center, 119 Vance Street, 28328, (910) 592-3200

ELIZABETH CITY - Coastal Office Equipment Co., 501 East Church Street, 27909, (919) 335-2927

JACKSONVILLE - Discount Sales and Service, 468-B Western Blvd., 28456, (910) 455-6700

RALEIGH - Authorized Appliance Service Center, 800 North Person Street, 27604, (919) 834-3476

WINSTON-SALEM - Authorized Appliance Servicenter, 904 South Marshall Street, 27117, (910) 725-5396

NORTH DAKOTA

BISMARCK - Guitarland, 210 E Main Street, 58501, (701) 255-0212

DICKINSON - Fix It Shop, 316 21st Street E, 58601, (800) 871-0766

FARGO - General Parts & Supply Co., 10 S. 18th Street, 58103, (701) 235-4161, (800) 279-9987

OHIO

AKRON - Advanced Appliance Service Company, 73 W. Exchange Street, 44308, (330) 762-8968

BROOKLYN HEIGHTS - Philips Consumer, 950 Keynote Circle, 44131, (216) 741-3334, (800) 331-7037

CANTON - Appliance Parts Co., 1267 Dueber Avenue, SW, 44706, (330) 453-8077

CINCINNATI - H&S Service, 458 Cincinnati Batavia Pike, 45244, (513) 528-0808

CLEVELAND (MENTOR) - Lake Erie Lawn & Garden, 7833 Munson Rd., 44060, (216) 257-9000

CLEVELAND (PARMA) - Majors Appliance, 5785 Ridge Road, 44129, (216) 884-7200

CLEVELAND (WESTLAKE) - Philips Consumer Electronics, 24090 Detroit Avenue, 44145, (216) 899-2040, (800) 331-7037

DAYTON - Layer Electric, 603 South Ludlow Street, 45402, (937) 224-9608

DAYTON (NEW CARLISLE) - Ballweg Do-It Center, 3300 South Dayton, Lakeview Rd., 45344, (937) 849-1306

GALION - Allied Electrical Repair, 1404 Harding Way East, 44833, (419) 468-4962, (800) 648-6771

LIMA - Crouse Lumber Do-It Center, 333 E. Market Street, 45801, (419) 229-9070, (800) 826-9663

MANSFIELD - Boliantz Hardware, 860 Ashland Road, 44905, (419) 589-5467

PORTSMOUTH - Market St Hardware & Toy Town, 217 Market Street, 45662, (740) 456-5704

STRYKER - Short's Hardware, 115 N. Depot Street, 43557, (419) 682-4231

TOLEDO - Broadway Sales and Appliance Repair, 1621 Broadway, 43609, (419) 241-9731, (800) 436-5415

WELLINGTON - Travelite Inc., 100 Industrial Avenue, P.O. Box 60, 44090, (440) 647-3670, (800) 326-0406

YOUNGSTOWN - O'Connor's, 3224 Market Street, 44507, (330) 782-4705

OKLAHOMA

ADA - Bert's Supply Co, Hwy 99, 74820, (580) 332-7295, (800) 259-7202

MCCALESTER - Quality Upholstery, 803 East Gene Stipe Blvd., 74501, (918) 423-4747

OKLAHOMA CITY - Appliance Services by CK, 101 East Madison, 73105, (405) 525-8862

OKLAHOMA CITY - Oklahoma Service Center, 1940 North May Street, 73107, (405) 946-9841

TULSA - H.L. Moss, Inc., 1714 E. 15th Street, 74104, (918) 744-1305, (800) 248-5948

OREGON

EUGENE - Oldfield's, 1465 West 7th, 97402, (541) 485-6000, (800) 944-0238

PORTLAND - Appliance Repair Central, 2033 N. E. Columbia Blvd, 97211, (503) 285-1828, (800) 588-7339

PENNSYLVANIA

ALTOONA - Frye's Sweeper & Sewing Center, Inc., 1400 Valley View Boulevard, 16602, (814) 943-5001, (800) 640-1308

BUTLER - Battery Warehouse, 469 Cunningham Street, 16001, (724) 287-3191

CRANBERRY - Batteries Plus North, Cranberry Towne Plaza 20808 Route 19, 16066, (724) 742-1690

ERIE - Parke T. Morrow Inc., 627 West 26th Street, 16508, (814) 455-7566

GROVE CITY - Battery Warehouse, 620 East Main Street, 16127, (724) 458-1655

HARRISBURG - C.A. Juillard, Inc., 2301 North Seventh Street, 17110, (717) 233-3488, (800) 633-3488

JOHNSTOWN - Cambria True Value Hardware, West Hills Square, Goucher Street, 15905, (814) 255-4752

KINGSTON - Vac-Way Appliance & Service, 595 Market Street, 18704, (570) 288-4508

LANCASTER - Colonial Electronics Inc., 241 West Roseville Suite #2t, 17601, (717) 560-2222

MCDONALD - Small Engine World, 130 East O'Hara Street, 15057 (724) 926-3330

MOSCOW - Vac-Way Appliance & Service, RR #6 Box 6237, 18444, (570) 842-4668

ORANGEVILLE - Hess Do-It Center & Market, Route 487, Box 4 M, 17859, (570) 683-5162

PHILADELPHIA - Appliance Care/Service Corp., 6407 Rising Sun Ave., 19111, (215) 725-3112

PHILADELPHIA (COLLINGDALE) - J.F. Kenney Electric, 920 MacDade Boulevard, 19023, (610) 534-7373

PITTSBURGH - Batteries Plus, 3912 Library Road, 15234, (412) 531-1690

READING - Electric Repair Co., 502-504 North 9th Street, 19604, (610) 376-5444, (800) 422-8171 (PA only)

SCRANTON - Vac-Way Appliance and Service, 601 Cedar Avenue, 18505, (570) 343-1121

SHAMOKIN DAM - Willard Battery Outlet, 138 S. Old Trail, 17876, (570) 743-5383

SHIPPENVILLE - Battery Warehouse, 11105 Rt 322 Riverhill, 16254, (814) 227-2123

TROY - Hoover Hardware, 9 Canton, 16947, (800) 251-2156, (570) 297-3445

WILKES-BARRE - Walter Hardware DO-IT Center, 57 N. Welles Street, 18702, (570) 823-1406

PUERTO RICO

MAYAGUEZ - Cardona Appliance Service, 8 San Vicente Sreet, 00680, (787) 832-8366

MAYAGUEZ - AAA Melendez Rental, Calle Post 319 Sur, 00680, (787) 832-5225

PONCE - Ferreteria Vivian, Centro Comercial, Los Caobos #7, 00731, (787) 840-0677

PUERTO NUEVO - Buckeye Service, 1013 Jesus T. Pinero Avenue, 00920, (787) 782-6175

SOUTH CAROLINA

AIKEN - Dunagan's Sewing & Vacuum, 1536 Whiskey Road, 29803, (803) 649-6777

BELTON - American Pro Office Equipment, 309 Forest Lane, 29627, (864) 338-9041

CHARLESTON HEIGHTS - Dorchester Electric Service, 3575 Dorchester Avenue, 29405, (803) 747-5221

COLUMBIA - Authorized Appliance Servicenter, 1811 Taylor Street, 29202, (803) 254-8414

DARLINGTON - Hobbies and More, 1570 South Main Street, 29532, (803) 393-0355, FAX (803) 393-8171

EASLEY - Trails End Bicycles, 110 Pendleton Street, 29640, (864) 306-1684

FORT MILL - Service Engines Inc., 3356 SC Highway 51, 29715, (803) 548-1778, (800) 845-1191

GREENWOOD - Bikes & Boards & Mopeds, 203A Montague Avenue, 29646, (864) 229-2453

HILTON HEAD ISLAND - Bikes Kites & More, 2 E Southwood Park Drive, 29926, (843) 342-7530, (888) 414-1096

SENECA - Seneca Micronics, 110 East North First, 29678, (864) 882-6593

SOUTH DAKOTA

RAPID CITY - Mick's Electric, Inc, 1304 Oregon Street, 57701, (605) 348-2335

Authorized Service Centers

WINNER - Nelson's Electronics Inc., 422 West 2nd Street P.O. Box 369, 57580, (605) 842-1611, (888) 842-1699

TENNESSEE

CHATTANOOGA - Consumer Service Company, 2607 E. 47th Street, 37407, (423) 867-8629

DANDRIDGE - Save More Sales, 1291 W Hwy 25-70, 37725, (865) 397-1255

KNOXVILLE - Appliance & Electric Service Company, 4816-M Kingston Pike, 37919, (865) 588-5395, (800) 585-5395

KNOXVILLE - Authorized Appliance Service Center, 1206 North Central Street, 37917, (865) 524-3376

MEMPHIS - Camp Electric Co., 647 Madison Avenue, 38103, (901) 527-7543, (800) 238-7345

NASHVILLE - Webb's Appliance Service Center, Inc., 1519 Church Street, 37203, (615) 329-4079, (800) 899-4079

TEXAS

AMARILLO - Reid's Appliance Service, Inc., 906 Georgia, 79102, (806) 373-8812

AUSTIN - Harrell Supply and Service, Inc., 5435 Burnet Road, 78756, (512) 451-6464, (800) 332-7250 (TX only)

AUSTIN - Harrell Supply and Service, Inc., 1409 West Oltorf, 78704, (512) 442-5966

CORPUS CHRISTI - Brand Appliance & Microwave, 2751 South Staples, 78404, (361) 854-1851

DALLAS - All Type Sales and Service Co., Inc., 2835 Irving Blvd., 75207, (214) 638-1170, (800) 717-1170

DALLAS - Pearsol Appliance Co., 3127 Main Street, 75226, (214) 939-0930

FT. WORTH - Ft. Worth Shaver and Appliance Center, 1900 Montgomery Street, 76107, (817) 335-9970, (800) 816-2126

HOUSTON - Brand Service Center, 5727 Richmond Avenue, 77057, (713) 782-8910

HOUSTON - Brand Service Center, 1970 FM 1960, 77090, (713) 537-7795

KILLEEN - Master Tech Repairs, 501 West Elms Road Suite #10, 76542, (254) 618-5480

LONGVIEW - Foster's, 3315 Gilmer Road, 75604, (903) 759-3939

LUBBOCK - Minter's, 4409 50th Street, 79414, (806) 799-3170

LUFKIN - STS Audio and Video, 1505 South First Street, 75901, (936) 639-4529

MC ALLEN - All-In-One Repair Shop, 2313 Lark Avenue, 78504, (210) 682-8858

MIDLAND - Midland Tool Specialty, 918 South Main, 79701, (915) 682-4647, (800) 499-0755

PASADENA - Larry's TV Service, 3520 Fairmont Parkway, 77504, (713) 998-0122,

ROMA - True Value Hardware, 1004 E. Highway 83, (210) 849-1322

SAN ANTONIO - Texas Shaver & Appliances, 8121 Callaghan Road, 78230, (210) 344-8577

TEMPLE - Master Tech Repairs, 2819 West Avenue North, 76504, (817) 773-8991

WICHITA FALLS - Burke's Appliance Service, 2410 10th Street, 76309, (817) 723-6211

UTAH

OREM - The Mending Shed, 1735 South State Street, 84058, (801) 225-8012, (800) 339-9297

SALT LAKE CITY - Appliance Service Center, Inc., 210 East 6th South, 84111, (801) 328-9703

WILLARD - Peak Electric Co Inc, 780 N 200 W, 84340, (435) 723-7104

VIRGINIA

BLACKSTONE - Bevell's True Value Hardware, 109 North High Street, 23824, (804) 292-7208, (800) 883-1270

FREDERICKSBURG - Fredericksburg Electrical Repair, Inc., 10825-D Houser Drive, 22408, (540) 891-7911

HARRISONBURG (PENN LAIRD) - J.L. Maintenance & Repair, Inc., Route 2, Box 308, 22846, (540) 289-9844

LOUISA - Lakeside Electric Const., 4344 Davis Highway Suite 2, 23093, (540) 967-3000

RICHMOND - Wells Inc., 3502 Jefferson Davis Highway, 23234, (804) 233-6726

ROANOKE - Commonwealth Shaver & Appliance Service, 5524 Williamson Road, NW, 24012, (540) 366-6038

SOUTH BOSTON - South Boston True Value, 307 Broad Street, 24592, (804) 572-6666

VIRGINIA BEACH - Commonwealth Electric Shaver, 549 Newton Road #108, 23462, (757) 490-0500

WINCHESTER - Battery Mart of Winchester, Inc., 1 Battery Dr., 22601, (703) 655-0065

WASHINGTON

ARLINGTON - Cordz Limited, 105 North Olympic Avenue, 98223, (360) 435-2471

FEDERAL WAY - Martha Lake Electronics, 2118 South 314th Street, 98003, (253) 946-9033

KENNEWICK - At Home Electronic Service, 313 East First Avenue, 99336, (509) 586-3800

LYNNWOOD - Martha Lake Electronics, 16521 13th Avenue West, 98037, (425) 743-4178

RENTON - Martha Lake Electronics, 212 South West 43rd, 98055, (425) 251-5417

SEATTLE - Action Small Appliance, 2125 2nd Avenue, 98121, (206) 448-2020

SEATTLE (BELLEVUE) - Action Small Appliance Service, 1500 145th Place, SE, 98007, (206) 643-9806

SPOKANE - Aalwaco Appliance, N 3007 Argonne Road, 99212, (509) 487-1089

TACOMA - Martha Lake Electronics, 2913 South 38th Street, 98409, (253) 475-0668

WENATCHEE - Motor Mart, 150 Marr, 98801, (509) 633-4237

WEST VIRGINIA

BECKLEY - Jerry's Detectors, Vacuum & Appl. Svc., 411 Second Street. 25801, (304) 253-3521

CHARLESTON - Sneed's Vacuum & Sewing Center, 2614 7th Avenue, 25312, (304) 744-3670, (800) 245-8048 (WV only)

HARRISVILLE - Western Auto, 1107 E. Main St., 26362, (304) 643-2226

HUNTINGTON - Mike's Appliance and Service, 212 20th Street, 25703, (304) 522-0737

MARTINSBURG - Battery Mart, 1161-3 Winchester Avenue, 25401, (304) 267-7033, (800) 464-7918

PARKERSBURG - Battery Mart, 656 Seventh Street, 26101, (304) 424-7250

VIENNA - T & S Lawn - Landscape & Power Equipment, 1100 10th Street, 26105, (304) 295-7633 (800) 559-7633

WHEELING - Fast Service Center, 1058 Main Street, 26003, (304) 232-5561 (800) 874-4090

WISCONSIN

ELK MOUND - Epp Electronics, E9485-A County Road EE, 54739, (715) 879-4634

GREENBAY - Kastle Carts, Inc., 2301 N.Irwin Ave., 54313, (414) 465-6121

LACROSSE - Paul's Shaver Service, 1224 Caledonia Street, 54603, (608) 782-6291

MILWAUKEE - Brand Appliance Repair, Inc., 6601 W. Oklahoma Avenue, 53219, (414) 541-4340

MONONA - Kiefers Shaver & Appliance, 4511 Monona Drive, 53716, (608) 221-3322

IMPORTANT!

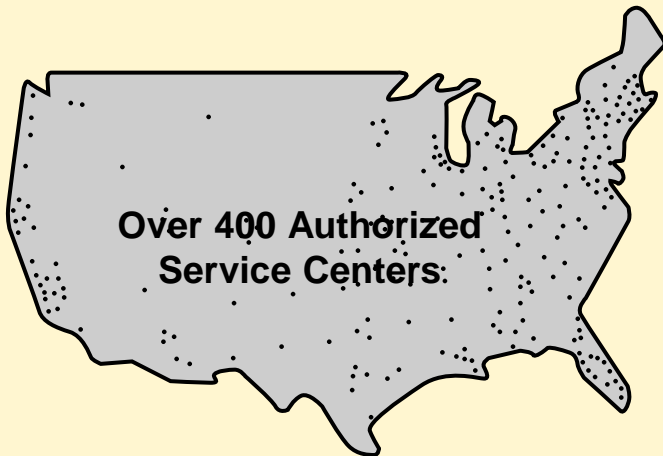
DO NOT use this vehicle for the first time until you have charged the battery for 18 hours.

Remember to...

- ✓ Insert a 25 amp fuse (included) into the battery.
- ✓ Charge the battery immediately after each use.
- ✓ Charge the battery once a month during storage, even if the vehicle has not been used.

Failure to follow these instructions will permanently damage your battery and void your warranty. Please refer to the Battery Care Section in this manual for more information.

DO NOT Return your Vehicle to the Store !



If you are missing parts or need assistance, please call us toll-free:

Power Wheels® Consumer Relations

1-800-348-0751

8 AM - 6 PM EST, Monday through Friday.

Or contact your local Power Wheels® Authorized Service Center.



For the location nearest you, refer to the Authorized Service Center list in this manual.

Fisher-Price and Power Wheels by Fisher-Price are U.S. trademarks of Mattel, Inc. Fisher-Price, Inc., a subsidiary of Mattel, Inc., East Aurora, New York 14052 U.S.A. ©2001 Mattel, Inc. All Rights Reserved.