



Product features may vary from the picture above.

JEEP and the Jeep grille design are registered trademarks of DaimlerChrysler Corporation and are used under license. ©DaimlerChrysler Corporation.
Fisher-Price, Power Wheels by Fisher-Price and BARBIE are U.S. trademarks of Mattel, Inc.

Owner's Manual with Assembly Instructions

Please read this manual and save it with your original sale's receipt.

For Model 74350

Tools needed for assembly: Phillips Screwdriver, Hammer, Slotted Screwdriver,
and Safety Scissors (tools not included).

Use only with a Power Wheels® Type H 6 Volt Battery, a Power Wheels® 25 Amp Fuse
and a Power Wheels® Type H 6 Volt Charger (all included).



Parts

A	Important Information	2
B	Warnings and Cautions	3
C	Parts	4
D	Parts Diagram	6
E	Battery Charging	7
F	Assembly	9
G	Label Decoration	15
H	Battery Installation and Battery Clamp (Engine Cover) Assembly	16
I	Battery Care and Disposal	17
J	Rules for Safe Driving	18
K	How to Operate Your Vehicle	19
L	Caring for Your Vehicle	19
M	Problems and Solutions Guide	20
N	Statement of Limited Warranty	24
O	Authorized Service Centers	24

A

Important Information

- Your new vehicle requires adult assembly. Please set aside at least 45 minutes for assembly.
- You must charge your battery for 18 - 30 hours **before you use your vehicle for the first time**. We recommend that you start charging your battery before beginning assembly. Please see Battery Charging beginning on page 8 for detailed instructions.
- Read this manual carefully for important safety information and operating instructions before using your vehicle. Please keep this manual for future reference as it contains important information.
- This vehicle is designed for use on grass, asphalt and other hard surfaces; on generally level terrain; and by children 1½ - 4 years of age.
- Make sure children know and follow these rules for safe driving and riding:
 - always sit on the seat.
 - always wear shoes.
 - only 1 (one) rider at a time.
- To prevent damaging the motors and gears, do not tow anything behind the vehicle or overload it. Do not exceed the maximum weight capacity of 50 lb (23 kg).
- If you have any questions about your Power Wheels® vehicle, please call our toll-free service lines at **1-800-348-0751** from 8 AM to 6 PM (EST) Monday through Friday. Trained customer service representatives are available to take your call in English or French. Habla Español? Si usted tiene alguna pregunta ó necesita asistencia llame gratis **1-800-348-0755** para los Estados Unidos. Tenemos representantes que hablan español para atender su llamada.
- For your convenience, Power Wheels® maintains an Authorized Service Center Network with more than 400 authorized service centers nationwide. Our authorized service centers will repair or replace parts under warranty at no extra charge, and can perform non-warranty repairs for a minimal charge. Please see the Authorized Service Center list beginning on page 25 to find the authorized service center nearest you, or call **1-800-348-0751**.
- Please complete and return the enclosed Registration Card today, or call **1-800-348-0751** to register your vehicle by phone.

www.powerwheels.com

B**Warnings and Cautions****ELECTRICAL HAZARD** **WARNING**

- Battery can fall out and injure a child if vehicle tips over. Always use battery clamp.
- **PREVENT FIRE**
 - Do not bypass a Power Wheels® fuse. It is a safety device.
 - Use only a Power Wheel® 25 Amp fuse.
 - Never modify the electrical system. Alterations could cause a fire resulting in serious injury and could also ruin the electrical system.
 - Use of the wrong type battery, fuse or charger could cause a fire or explosion resulting in serious injury.
 - Use of Power Wheels® components in products other than Power Wheels® vehicles could cause overheating, fire or explosion.
- The battery must be handled by adults only. The battery is heavy and contains sulfuric acid (electrolyte). Dropping the battery could result in serious injury.
- Never allow children to charge the battery. Battery charging must be done by adults only. A child could be injured by the electricity involved in charging the battery.
- Never lift or carry the battery by the wires or connector. This can damage the battery and possibly cause a fire resulting in serious injury. Lift and carry the battery by the case only.
- Read the safety instructions on the battery.
- Examine the battery, charger and their connectors for excessive wear or damage each time you charge the battery. If damage or excessive wear is detected, do not use the charger or the battery until you have replaced the worn or damaged part.
- **HOT** motors. Handle carefully.

RIDING HAZARD **WARNING**

- **Prevent Injuries and Deaths**
 - Direct Adult Supervision Required
 - Keep Children Within Safe Riding Areas.
These areas must be:
 - away from swimming pools and other bodies of water to prevent drownings
 - generally level to prevent tipovers
 - away from steps, driveways, roads and alleys.

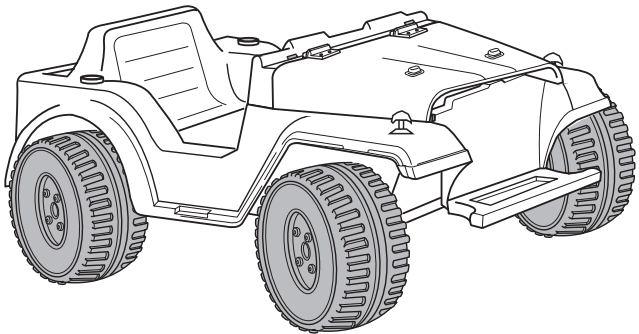
 **CAUTION**

- In the unassembled state, this package contains small parts. Adult assembly is required.
- Use the charger in dry locations only.

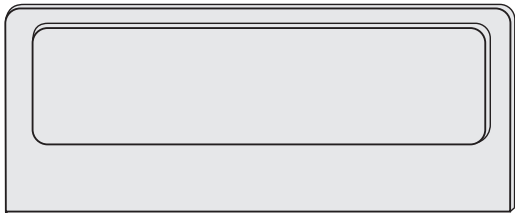
C

Parts

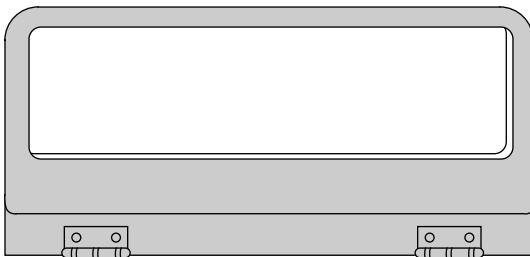
- If you experience a problem with this product, or are missing a part, please call us at **1-800-348-0751**, rather than return this product to the store.
- Please identify all parts before assembly and save all packaging material until assembly is complete to ensure that no parts are discarded.
- Metal parts have been coated with a lubricant to protect them during shipment. Wipe all metal parts with a paper towel to remove any excess lubricant.



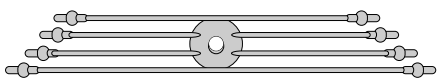
Vehicle Body (with Dash and Hood)



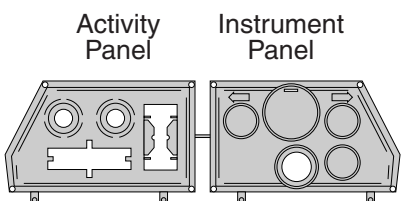
Windshield



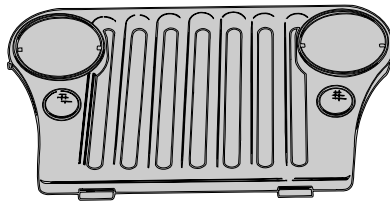
Windshield Frame



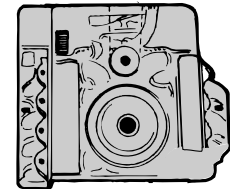
Spark Plug Wires



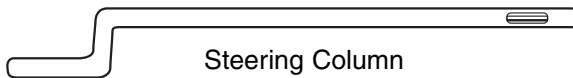
Dashboard Set

Activity
PanelInstrument
Panel

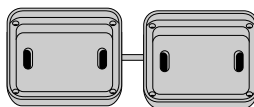
Grille

Battery Clamp
(Engine Cover)

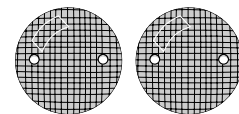
Sport Bar



Steering Column



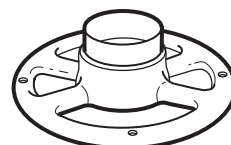
Taillight Housing Set



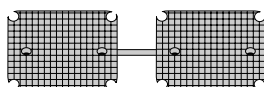
Headlight Lens - 2



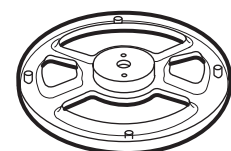
Sport Bar Cover Set



(Bottom Half)



Taillight Lens Set



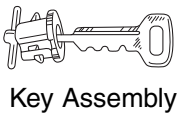
(Top Half)

Steering Wheel

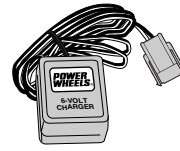
Parts



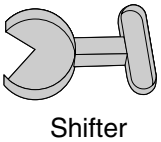
Microphone



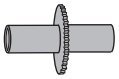
Key Assembly



6-Volt Charger



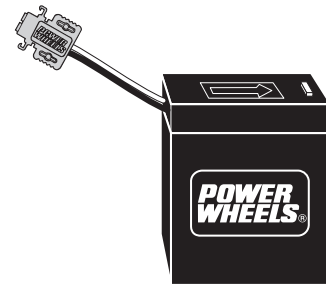
Shifter



Radio Dial



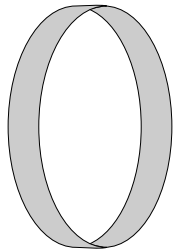
25 Amp Fuse - 2*



6 Volt Battery



Steering Wheel Cap



Traction Band - 4



Gas Cap Assembly

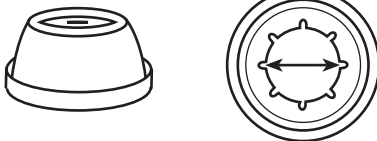


Radio Knob - 2

Not Shown: Label Sheet



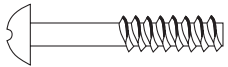
#8 x 1" Screw - 12



Cap Nut - 3*



#6 x 1/2" Screw - 11



#8 x 18 x 1" Screw - 2



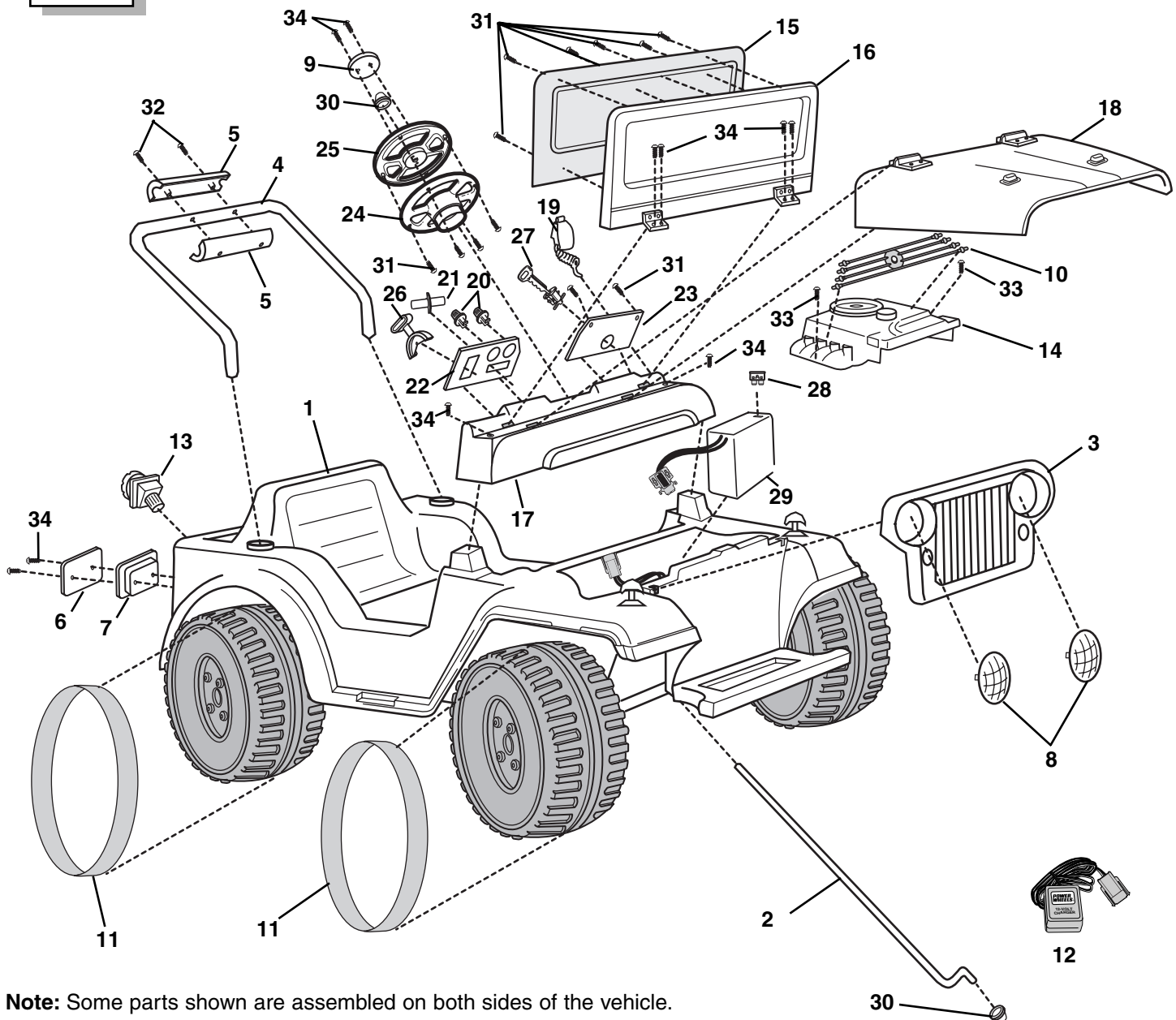
#6 x 1 1/2" Screw - 2

All Shown Actual Size

*For your convenience, an extra 25 amp fuse and an extra cap nut have been included.

D

Parts Diagram



Note: Some parts shown are assembled on both sides of the vehicle.

- | | | |
|----------------------------------|----------------------------------|----------------------------|
| 1. Vehicle Body | 15. Windshield | 27. Key Assembly |
| 2. Steering Column | 16. Windshield Frame | 28. 25 Amp Fuse |
| 3. Grille | 17. Dash | 29. Type H 6 Volt Battery |
| 4. Sport Bar | 18. Hood | 30. Cap Nut - 2 |
| 5. Sport Bar Cover Set | 19. Microphone | 31. #6 x 1/2" Screw - 11 |
| 6. Taillight Lens - 2 | 20. Radio Knob - 2 | 32. #6 x 1 1/2" Screw - 2 |
| 7. Taillight Housing - 2 | 21. Radio Dial | 33. #8 x 18 x 1" Screw - 2 |
| 8. Headlight Lens - 2 | 22. Activity Panel | 34. #8 x 1" Screw - 12 |
| 9. Steering Wheel Cap | 23. Instrument Panel | |
| 10. Spark Plug Wires | 24. Steering Wheel - Bottom Half | Not Shown |
| 11. Traction Band - 4 | 25. Steering Wheel - Top Half | Label Sheet |
| 12. Type H 6 Volt Charger | 26. Shifter | |
| 13. Gas Cap Assembly | | |
| 14. Battery Clamp (Engine Cover) | | |

E

Battery Charging

ELECTRICAL HAZARD

WARNING

- Battery can fall out and injure a child if vehicle tips over. Always use battery clamp.
- **PREVENT FIRE**
 - Do not bypass a Power Wheels® fuse. It is a safety device.
 - Use only a Power Wheel® 25 Amp fuse.
 - Never modify the electrical system. Alterations could cause a fire resulting in serious injury and could also ruin the electrical system.
 - Use of the wrong type battery, fuse or charger could cause a fire or explosion resulting in serious injury.
 - Use of Power Wheels® components in products other than Power Wheels® vehicles could cause overheating, fire or explosion.
- The battery must be handled by adults only. The battery is heavy and contains sulfuric acid (electrolyte). Dropping the battery could result in serious injury.
- Never allow children to charge the battery. Battery charging must be done by adults only. A child could be injured by the electricity involved in charging the battery.
- Never lift or carry the battery by the wires or connector. This can damage the battery and possibly cause a fire resulting in serious injury. Lift and carry the battery by the case only.
- Read the safety instructions on the battery.
- Examine the battery, charger and their connectors for excessive wear or damage each time you charge the battery. If damage or excessive wear is detected, do not use the charger or the battery until you have replaced the worn or damaged part.

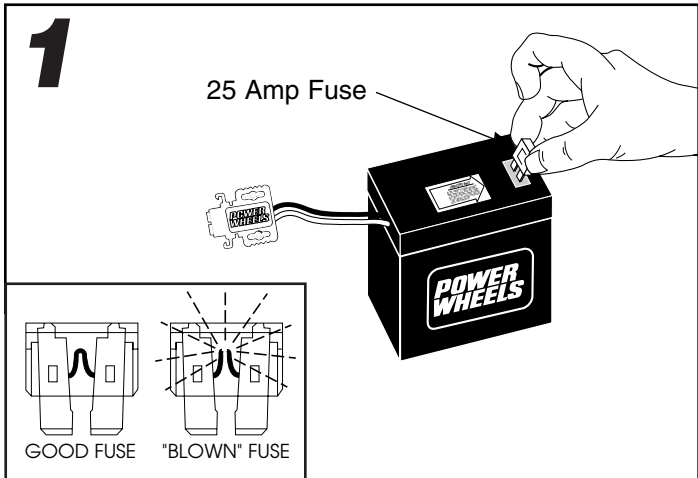
CAUTION

Use the charger in dry locations only.

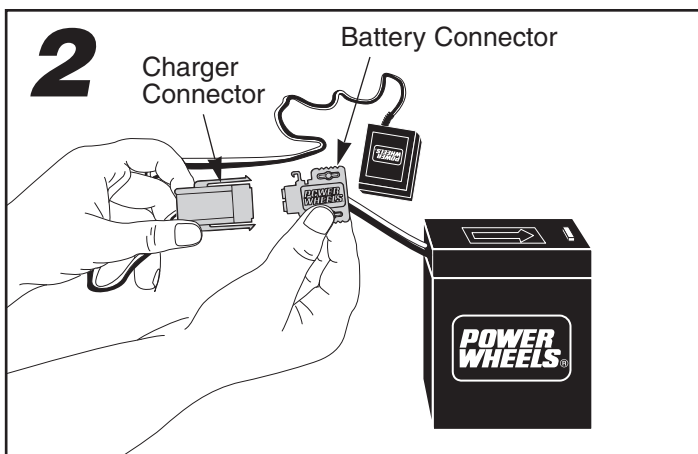
Important Notes

- **Your new battery must be charged for at least 18 hours before you use it in your vehicle for the first time.**
- We recommend that you start charging your battery before beginning assembly of your new vehicle.
- The battery must be upright while charging.
- The charger is not a toy.
- Do not short circuit the battery.
- The battery must be removed from your vehicle for the initial charge in order to complete assembly. You do not need to remove the battery from your vehicle to recharge it.
- Before charging the battery, examine the battery case for cracks and other damage which may cause sulfuric acid (electrolyte) to leak during the charging process. If damage is detected, do not charge the battery or use it in your vehicle. Battery acid is very corrosive and can cause severe damage to surfaces it contacts.
- Do not charge the battery on a surface which could be damaged by the acid contained inside the battery. Take precautions to protect the surface on which you charge your battery.
- Use only a Power Wheels® Type H 6 volt charger (120 VAC 60 Hz 12W with an output of 6 VDC 800mA) to charge your Power Wheels® 6 volt battery.

Battery Charging

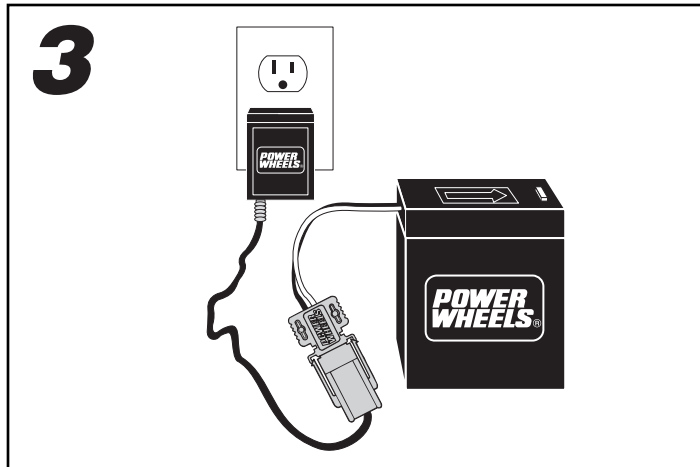


- If you are charging the battery for the first time, insert a 25 amp fuse into the battery.
- Note:** The top of the fuse will not be flush with the top of the battery when properly installed.
- If you are recharging your battery, make sure the 25 amp fuse already installed in the battery is in good condition. Remove the fuse from the battery and look at it to make sure it is not blown. Replace a blown fuse with a new Power Wheels® 25 amp fuse.



- Squeeze the connector tabs on the charger connector and plug it into the battery connector.

IMPORTANT! If you are recharging your battery, you will need to remove the battery clamp (engine cover) and disconnect the battery connector and motor harness connector.



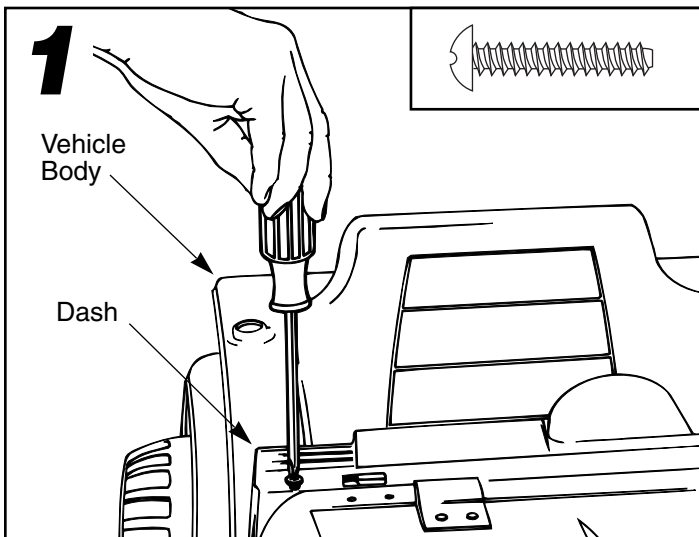
- Plug the charger into a standard 120 volt wall outlet.
- Note:** If power flow to the wall outlet is controlled by a switch, make sure the switch is "ON".
- **Before first-time use, charge the battery for at least 18 hours.** Never charge the battery longer than 30 hours.
 - Recharge the battery for at least 14 hours after each use of your vehicle. Do not charge the battery longer than 30 hours.
 - Once the battery is charged, disconnect the charger connector from the battery connector. Unplug the charger from the wall outlet. The battery is now charged and is ready to be installed in your vehicle. Please see "Battery Installation" on page 16 for detailed instructions on installing your battery.

F

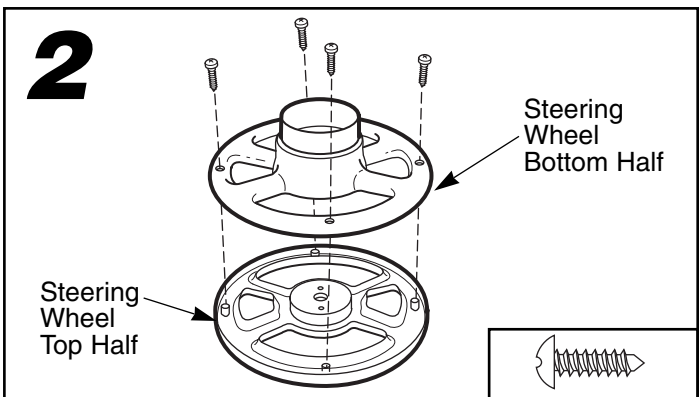
Assembly

⚠ WARNING

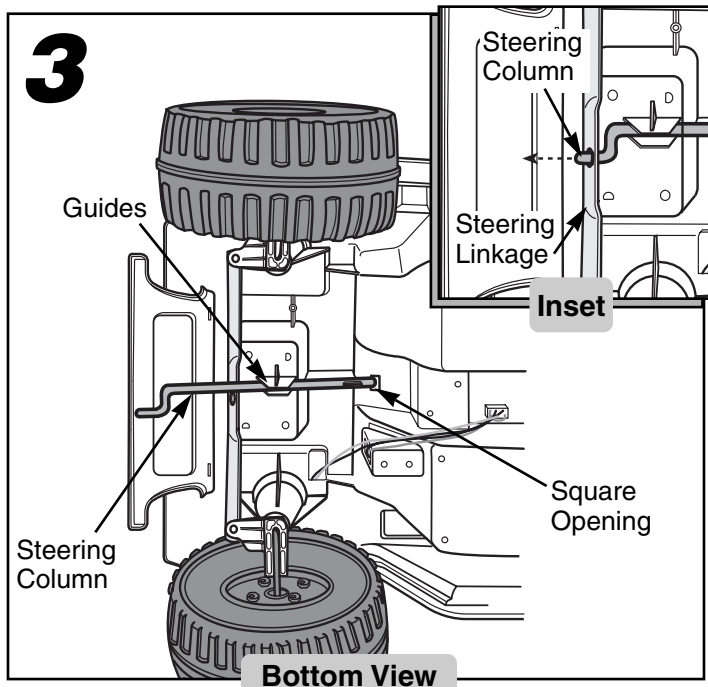
Children can be harmed by small parts, sharp edges and sharp points in the vehicle's unassembled state, or by electrical items. Care should be taken in unpacking and assembly of the vehicle. Children should not handle parts, including the battery, or help in assembly of the vehicle.



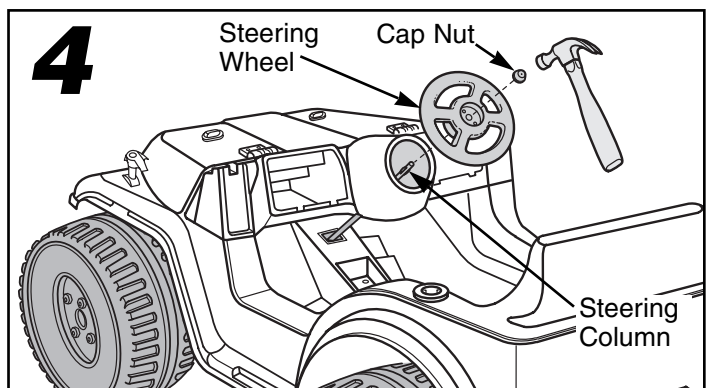
- Insert two #8 x 1" screws through the holes in both sides of the dash and into the vehicle body.
- Tighten the screws with a Phillips screwdriver. Do not over-tighten.



- Fit the top and bottom halves of the steering wheel together.
- Insert four #6 x 1/2" screws through the holes in the bottom half of the steering wheel and into the top half of the steering wheel.
- Tighten the screws with a Phillips screwdriver. Do not over-tighten.
- Set the steering wheel aside.



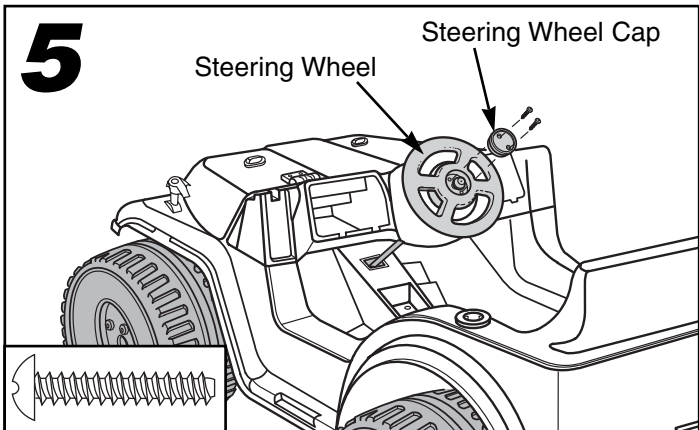
- Position the vehicle body on its side.
 - Fit the straight end of the steering column up through the square opening in the vehicle body and out through the large round hole in the dash. **Make sure the steering column is positioned between the guides on the underside of the vehicle body.**
 - Insert the end of the steering column through the hole in the steering linkage (see inset).



- Turn the vehicle body upright.
 - Align the keyed hole in the center of the steering wheel with the ribs on the steering column. Fit the steering wheel onto the steering column. The base of the steering wheel should fit into the large hole in the dash.
 - Fit a cap nut onto the end of the steering column.
 - Tap the cap nut with a hammer to secure it on the steering column.

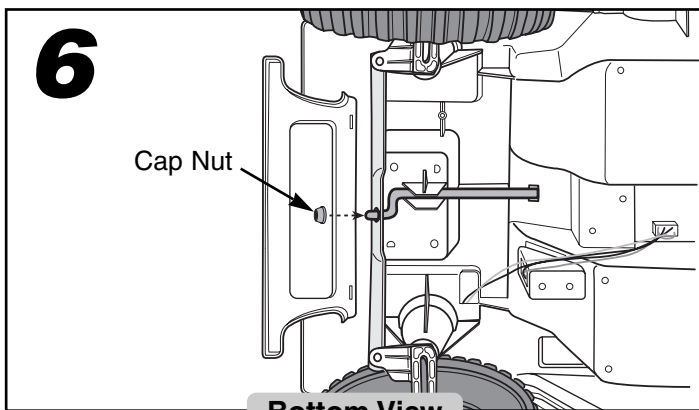
Hint: You may want the help of another person to support the steering column while you tap the cap nut with the hammer.

Assembly



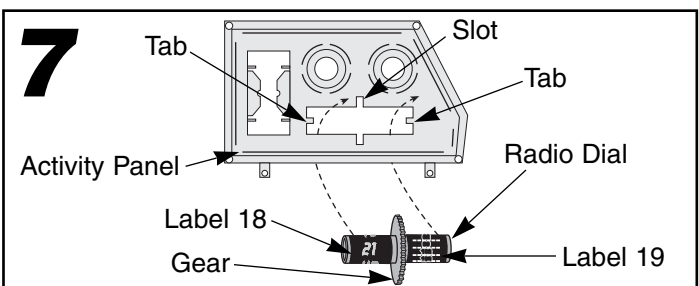
- 5**

 - Fit the steering wheel cap into the center of the steering wheel with the screw holes aligned.
 - Insert two #8 x 1" screws through the holes in the steering wheel cap and into the steering wheel.
 - Tighten the screws with a Phillips screwdriver. Do not over-tighten.



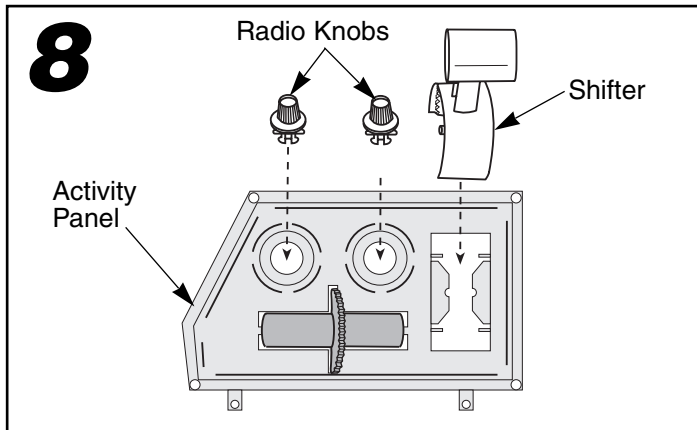
- 6**

 - Position the vehicle body on its side.
 - Fit a cap nut onto the end of the steering column.
 - While supporting the steering column tap the cap nut with a hammer to secure it on the steering column.
 - Turn the vehicle body upright.



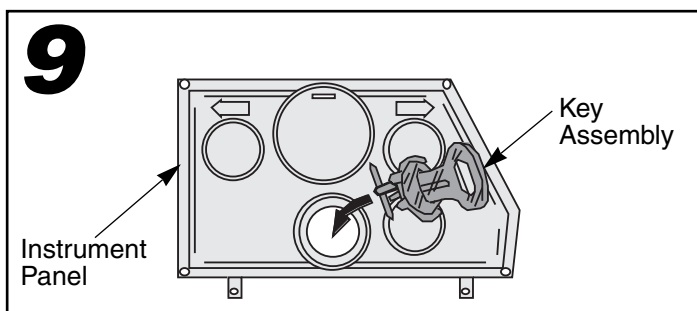
- 7**

 - Using safety scissors, separate the activity panel and the instrument panel. Dispose of the plastic connector.
 - Apply labels 18 and 19 to the radio dial.
 - From the back of the activity panel: fit one end of the radio dial onto a tab on the activity panel; position the center gear in the slot; and then press firmly to snap in the other end of the radio dial on the other tab.



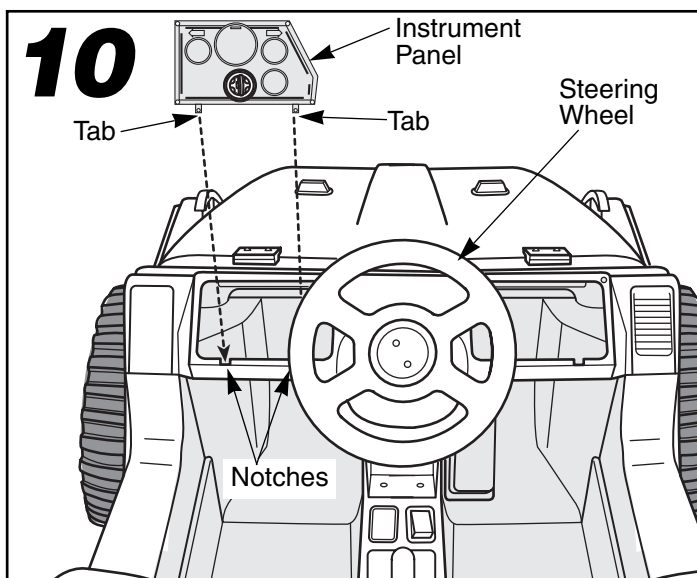
- 8**

 - From the front of the activity panel, insert and snap the radio knobs.
 - With the wide part of the shifter handle outward, insert and snap the shifter into the activity panel.
 - Set the activity panel aside.



- 9**

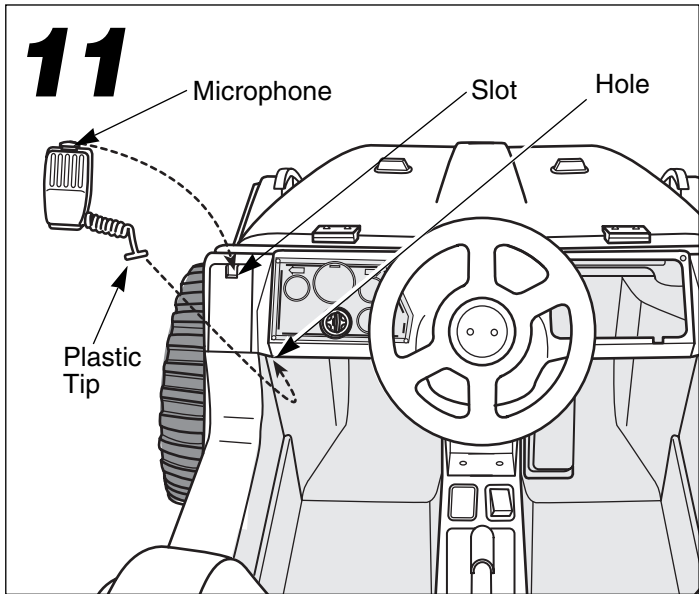
 - Insert and snap the key assembly into the hole in the instrument panel.



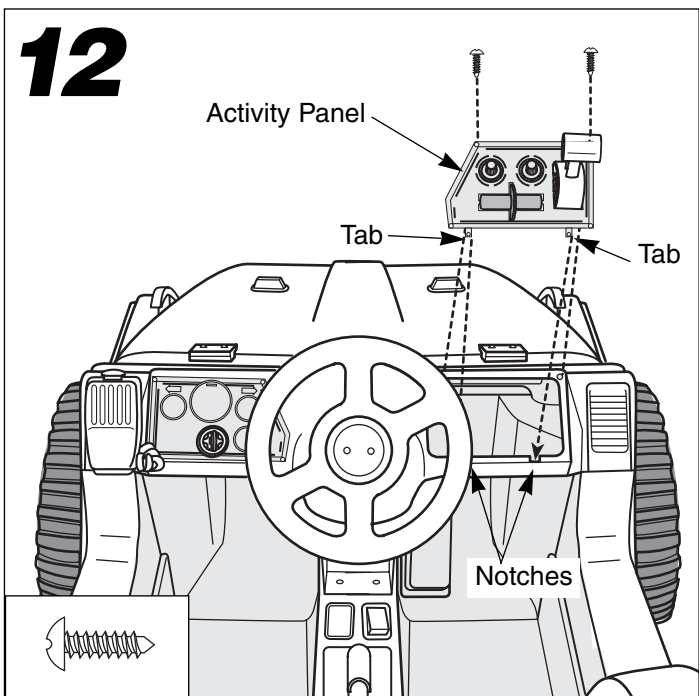
- 10**

 - Fit the tabs on the bottom of the instrument panel into the notches in the dash opening to the left of the steering wheel.
 - Press near the top of the instrument panel to snap the top tab on the back of the instrument panel into the dash.

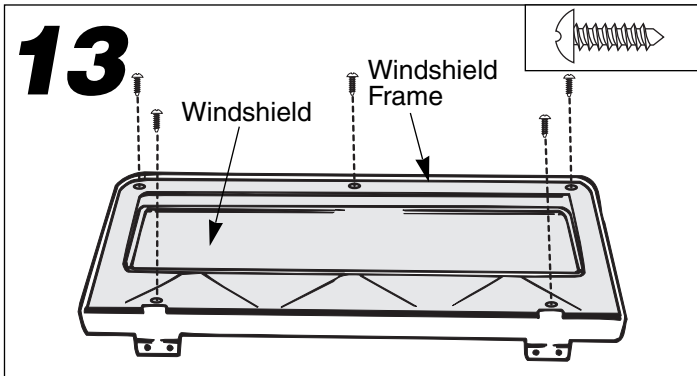
Assembly



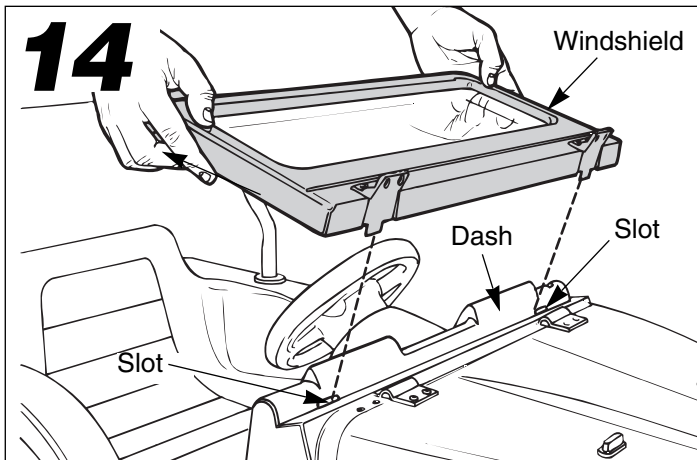
- Bend the plastic tip at the end of the microphone cord to form a "T".
- Insert the plastic tip into the small hole in the left side of the vehicle body. Pull gently on the cord to make sure it is secure.
- Fit the tab on the back of the microphone into the slot in the dash.



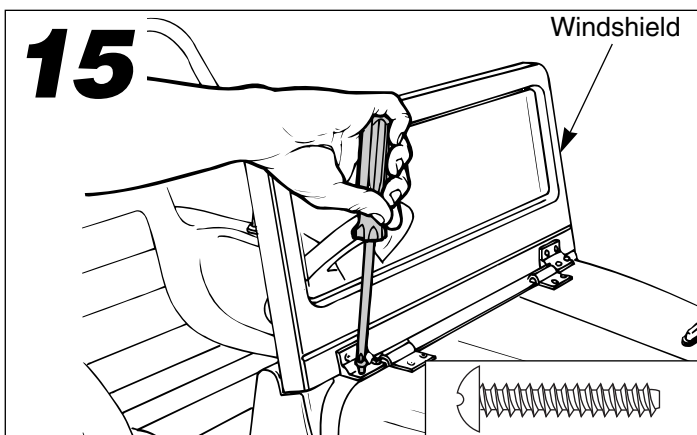
- Fit the tabs on the bottom of the activity panel into the notches in the dash opening to the right of the steering wheel.
- Insert two #6 x 1/2" screws through the holes in the top of the activity panel and into the dash.
- Tighten the screws with a Phillips screwdriver. Do not over-tighten.



- Fit the windshield into the windshield frame.
- Insert five #6 x 1/2" screws through the holes in the windshield and into the windshield frame.
- Tighten the screws with a Phillips screwdriver. Do not over-tighten.

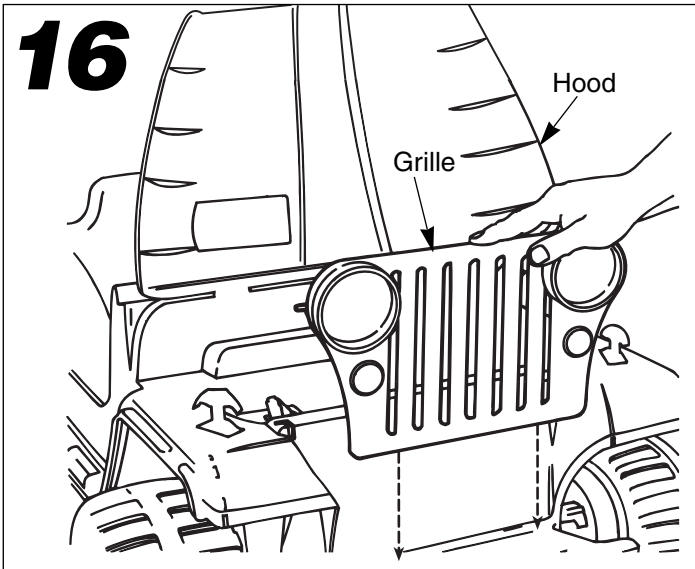


- Fit the tabs on the back of the windshield into the slots in the top of the dash.

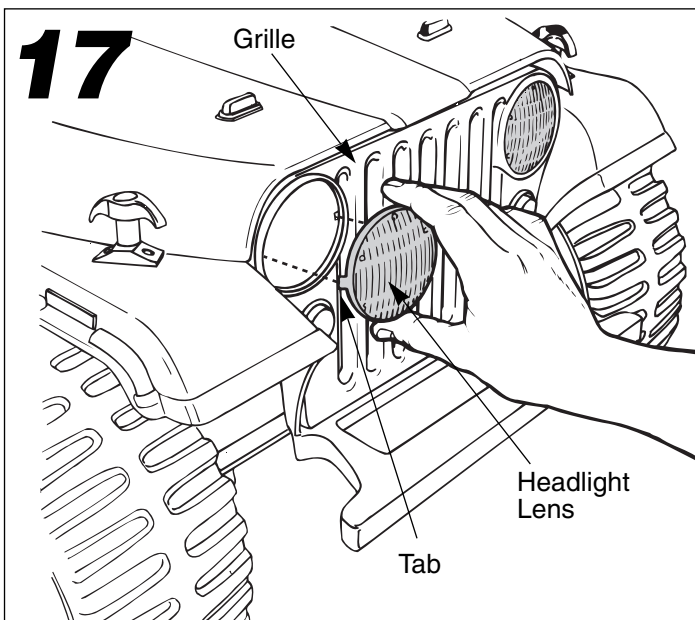


- Rotate the top of the windshield toward the front of the vehicle body.
- Insert four #8 x 1" screws through the holes in the hinge on the windshield and into the vehicle body.
- Tighten the screws with a Phillips Screwdriver. Do not over-tighten.

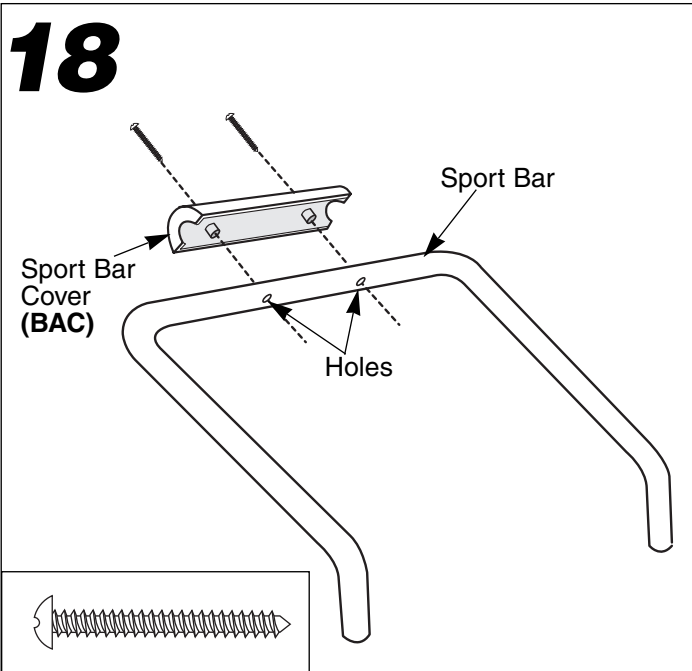
Assembly



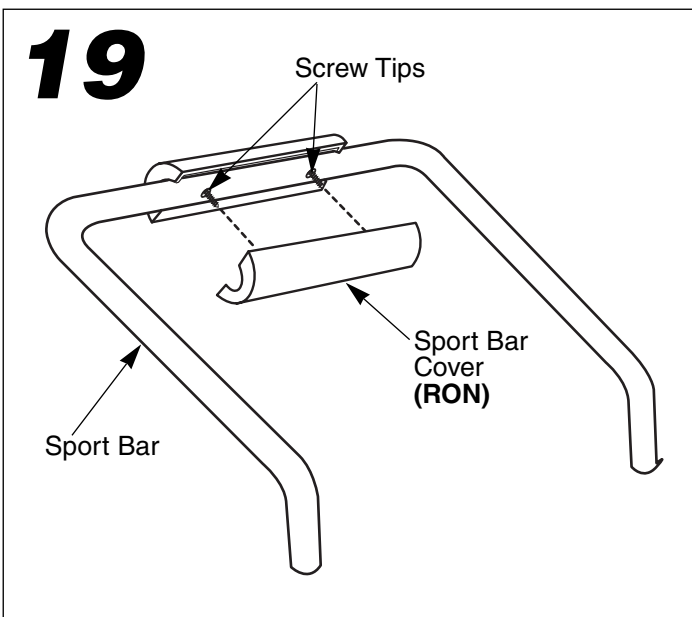
- Lift the hood.
- Fit the tabs at the bottom of the grille into the slots in the vehicle body.
- Press near the top of the grille to snap it into the vehicle body.
- Lower the hood.



- Fit the tab on one side of a headlight lens into the notch in the grille.
- Push firmly to snap the tab on the other side of the lens into the grille.
- Repeat this procedure to assemble the other headlight lens.

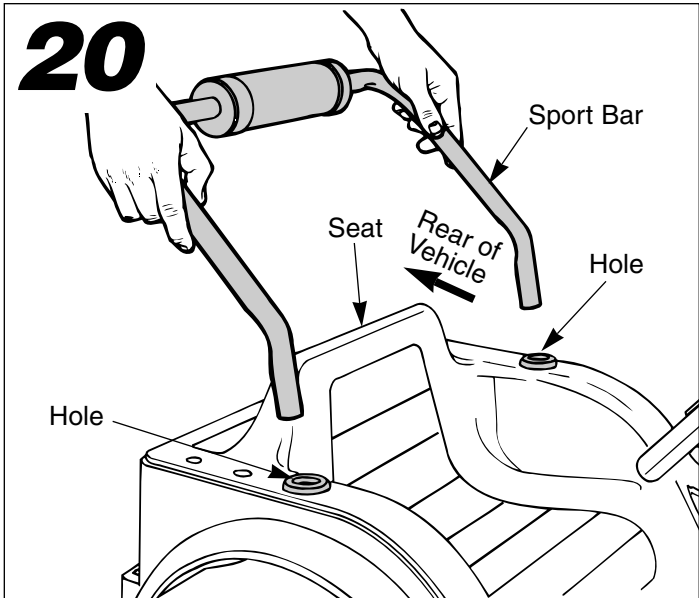


- With the ends of the sport bar angled toward you, fit the sport bar cover marked "BAC" to the sport bar.
- Align the holes in the sport bar with the holes in the sport bar cover.
- Insert two #6 x 1 1/2" screws through the sport bar cover and the sport bar, as shown.

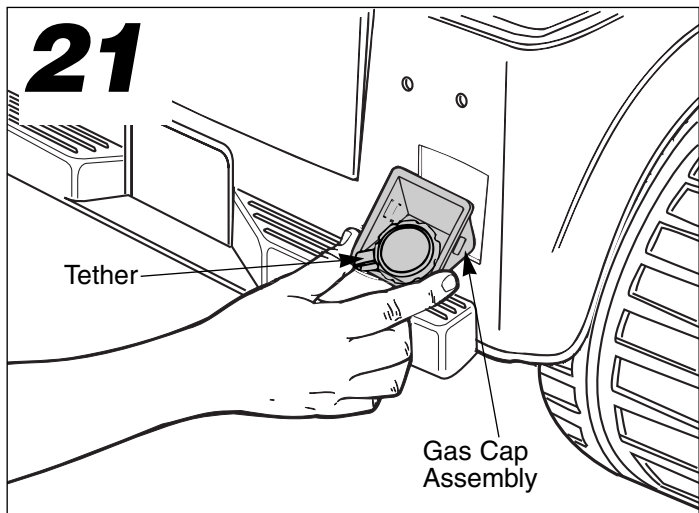


- Align the tips of the screws with the holes in the other sport bar cover marked RON. Fit the two sport bar covers together.
- Tighten the screws with a Phillips screwdriver. Do not over-tighten.

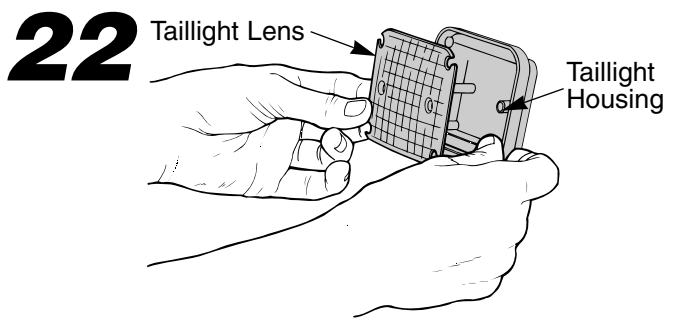
Assembly



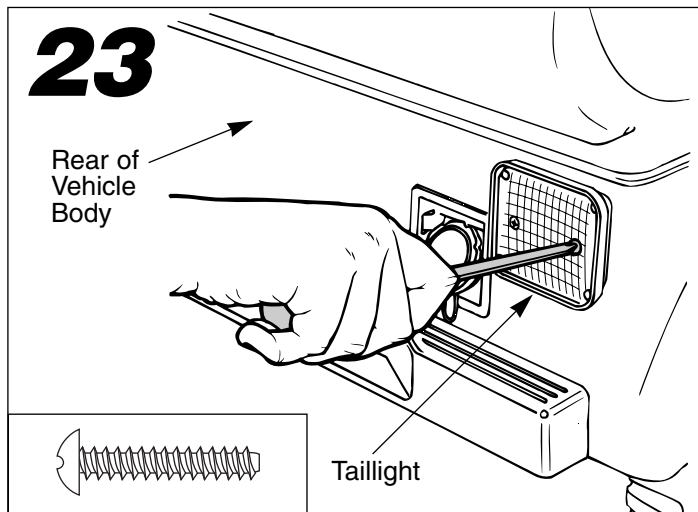
- With the sport bar positioned to angle towards the rear of the vehicle, fit the ends of the sport bar into the holes in the vehicle body on either side of the seat.
- Press firmly on each side of the sport bar to fit it into the vehicle body.



- With the gas cap tether pointing down, insert and snap the gas cap assembly into the square opening in the rear of the vehicle.

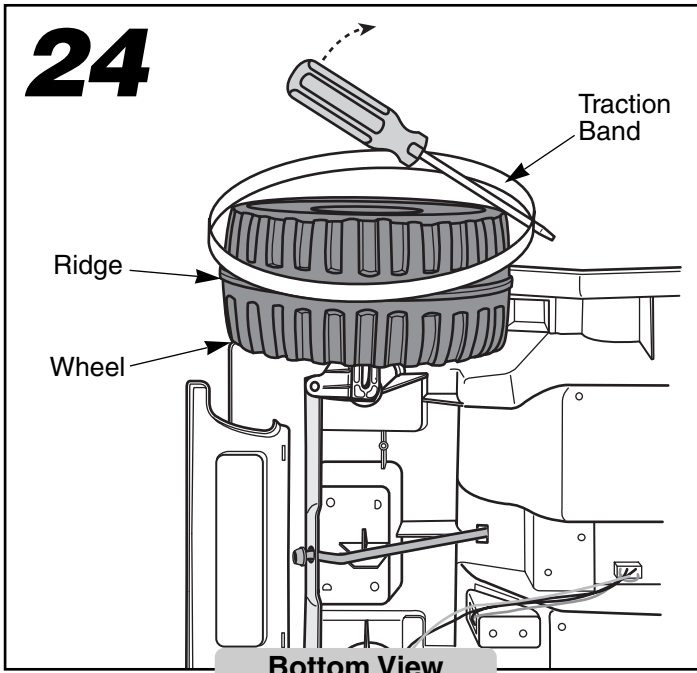


- Using safety scissors, separate the taillight lenses and taillight housings from the plastic connectors. Dispose of the plastic connectors properly.
- Fit a taillight lens in a taillight housing.



- Face the back of the vehicle.
- Align the holes in the taillight with the holes in the vehicle body.
- Insert two #8 x 1" screws through the holes in the taillight and into the vehicle body.
- Tighten the screws with a Phillips screwdriver. Do not over-tighten.
- Repeat steps 22 and 23 to assemble the other taillight lens and taillight housing to the vehicle body.

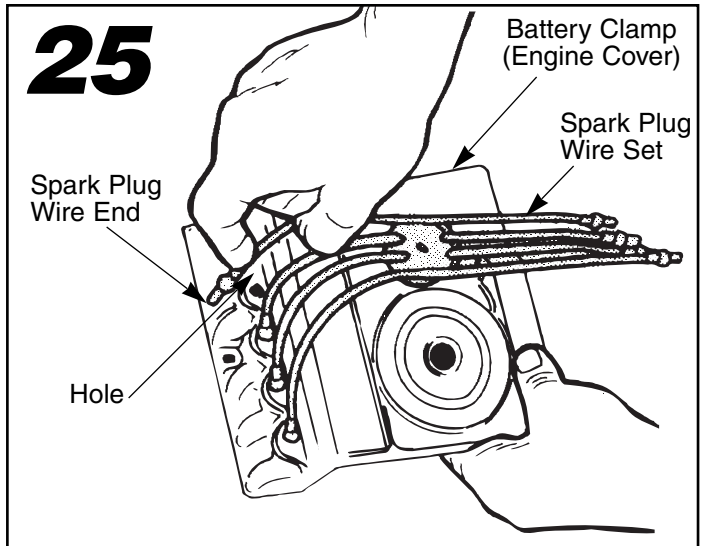
Assembly



- Turn the vehicle on its side.
- Fit a traction band around a wheel.
- Slide a slotted screwdriver under the traction band to push the traction band onto the ridge in the center of the wheel.

Hint: If the traction band is difficult to fit around the wheel, you may want to soak it in warm water to soften it slightly.

- Repeat this procedure to assemble a traction band to each wheel.



- Snap the center of the spark plug wire set onto the battery clamp (engine cover).
- Fit each of the spark plug wire ends into the holes on the sides of the battery clamp (engine cover).

Important! You must install your Power Wheels® battery in your vehicle before assembling the battery clamp (engine cover) under the hood. Please refer to “Battery Installation” on page 16 for detailed instructions.

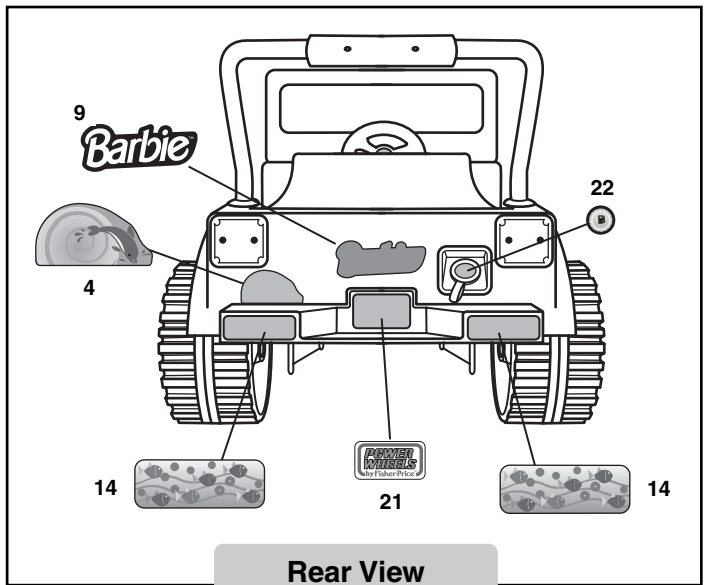
G

Label Decoration

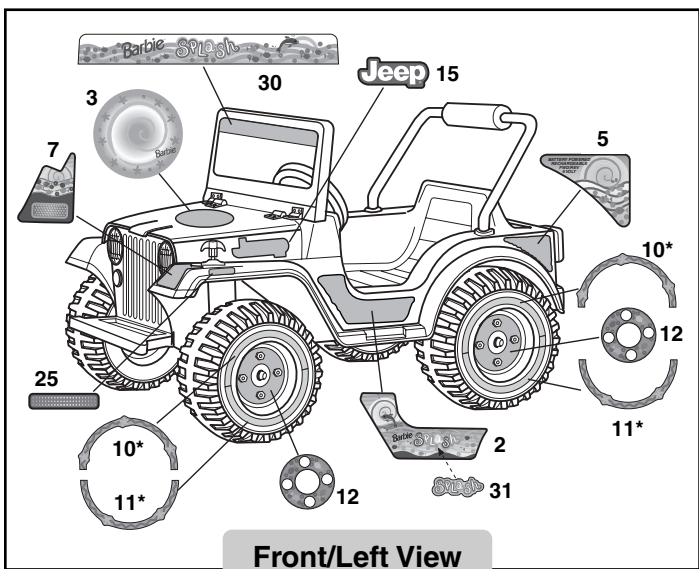
Proper label application will help to keep the labels looking their best! Keep the following guidelines in mind when applying labels:

- Wash your hands before applying the labels.
- Before applying the labels, wipe the surface of the vehicle with a clean, dry cloth to remove any dust or oils.
- Place the labels exactly as shown in these illustrations.
- For best results, avoid repositioning a label once it has been applied to the vehicle.
- After applying a label, rub the label firmly with a clean, dry cloth to make sure the label is adhered to your vehicle. Start at the center of a label and smooth towards the outer edges to remove air bubbles.

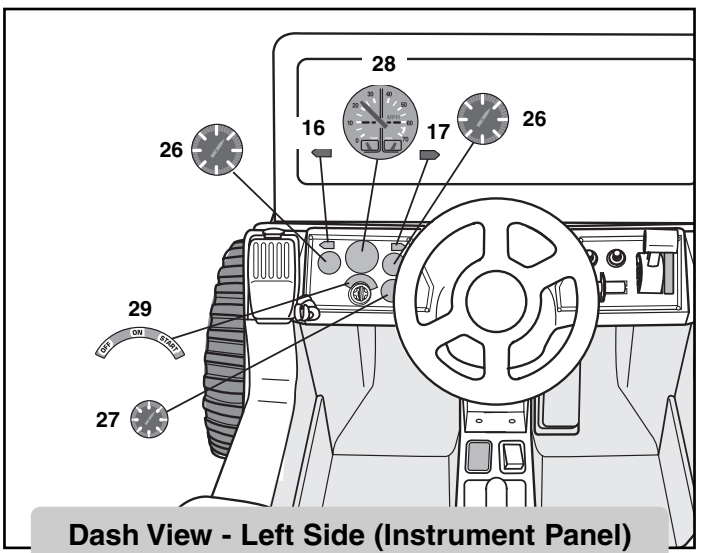
Hint: Labels 10 and 11 are designed to slightly overlap. For each wheel, apply label 10 before applying label 11. Align one edge of label 11 with the guide marks on label 10.



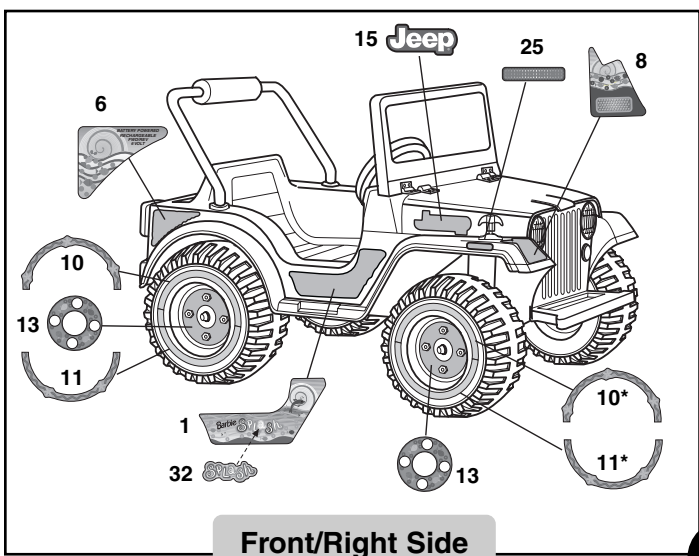
Rear View



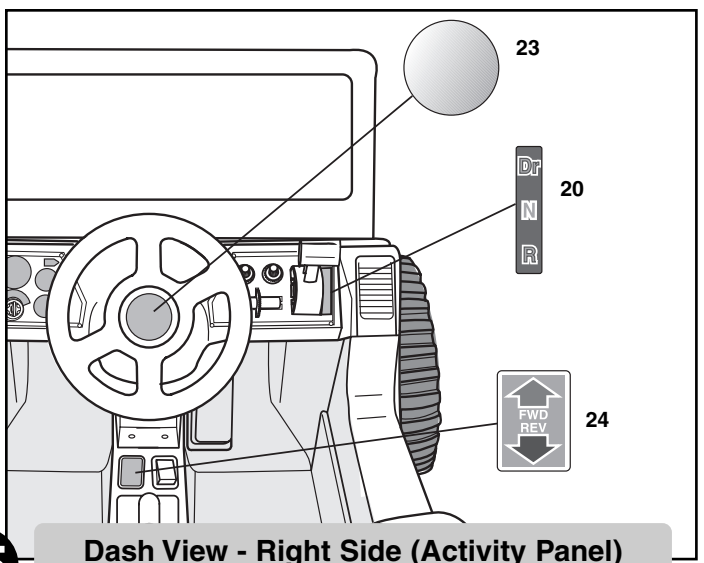
Front/Left View



Dash View - Left Side (Instrument Panel)



Front/Right Side

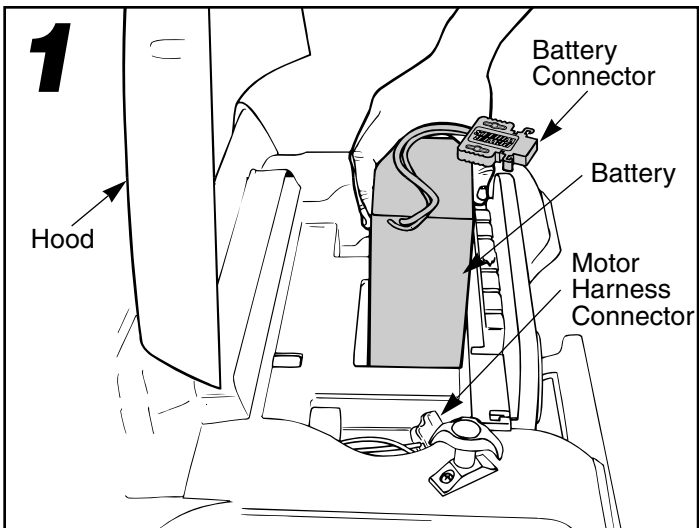


Dash View - Right Side (Activity Panel)

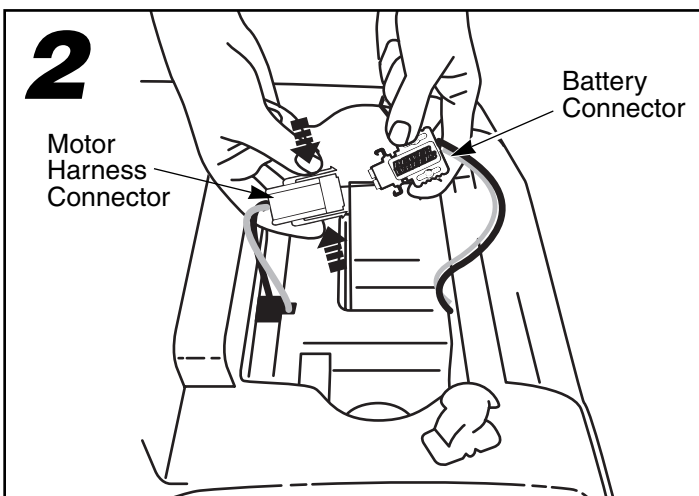
H

Battery Installation and Battery Clamp (Engine Cover) Assembly

IMPORTANT! Use only a Power Wheels® Type H 6 Volt battery with a Power Wheels® 25 Amp fuse installed. Use of any other battery or fuse will damage your vehicle. Make sure that you charge the battery for at least 18 hours using the enclosed Power Wheels® Type H 6 Volt charger before operating your vehicle for the first time. Charge the battery for at least 14 hours after each use of the vehicle. Never charge the battery longer than 30 hours. Failure to follow these instructions may damage your battery and will void your warranty.

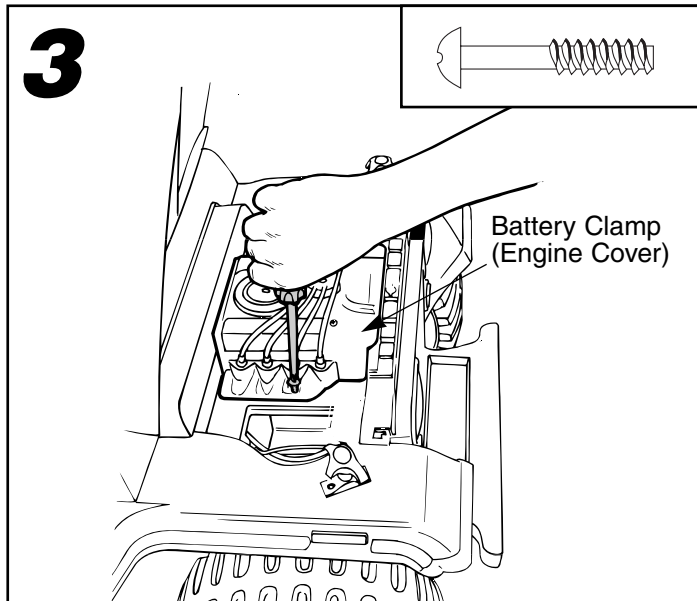


- Lift the hood.
- Place the battery in the battery compartment. Make sure the battery connector extends toward the motor harness connector.

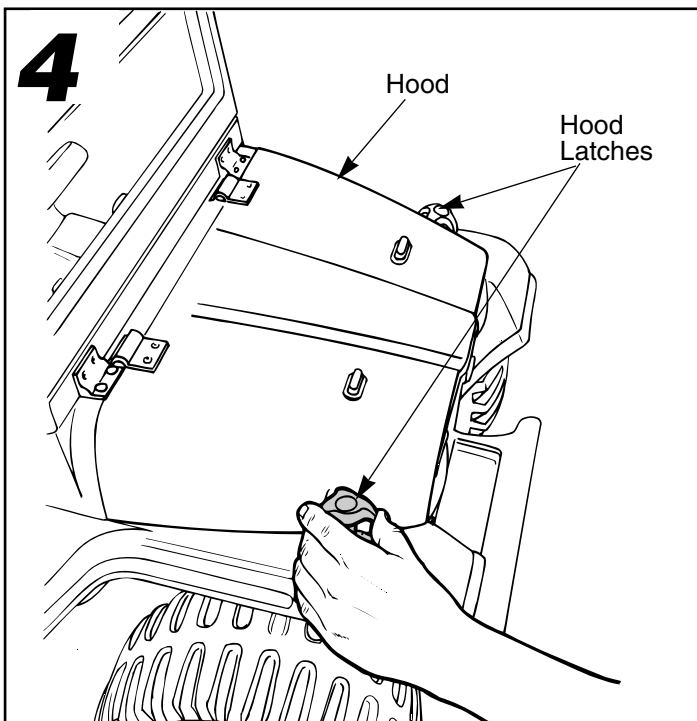


- Squeeze the tabs on each side of the motor harness connector. Plug the battery connector into the motor harness connector.

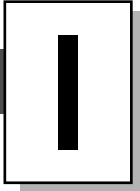
Note: If the battery connector will not plug into the motor harness connector, turn it over and try again. Do not force the battery connector into the motor harness connector.



- Fit the battery clamp (engine cover) over the battery, motor harness connector and battery connector.
- Insert two #8 x 18 x 1" screws through the holes in the battery clamp (engine cover) and into the vehicle body.
- Tighten the screws with a Phillips screwdriver. Do not over-tighten.



- Lower the hood. Lift the hood latches and fit the short tabs onto the notches on the hood to fasten it.



Battery Care and Disposal

Care

If a battery leak develops, avoid contact with the leaking acid and place the damaged battery in a plastic bag. See information below for proper disposal.

If acid comes in contact with skin or eyes, flush with cool water for at least 15 minutes and call a physician.

If acid is internally ingested, give water, milk of magnesia or egg whites immediately. Never give emetics or induce vomiting. Call a physician.

- Charge a new battery for at least 18 hours before first use. Never charge the battery longer than 30 hours. Overcharging or undercharging the battery may shorten battery life and decrease vehicle running time.
- After the first charge, recharge the battery for at least 14 hours after each use. Never charge the battery longer than 30 hours. Charge the battery after each use, regardless of how long the vehicle was used.
- Attempting to charge the battery without a 25 Amp fuse or with a blown fuse will not damage the battery, but it will not charge. Check the fuse to make sure it is in good condition each time you charge the battery.
- The battery must be upright while charging.
- Do not allow the battery to run down completely before charging.
- Charge the battery before storing the vehicle.
- Charge the battery at least once per month, even if the vehicle has not been used.
- Leaving the battery in a discharged condition will ruin it.
- Always remove an exhausted battery from the vehicle. Battery leakage and corrosion can damage the vehicle.
- Do not store the battery on a surface which could be damaged by the acid contained inside the battery. Take precautions to protect the surface on which you store the battery.
- Do not store the battery in temperatures above 75° F or below -10° F.
- Prevent the battery from moving freely inside the battery compartment. **Always use the battery clamp to secure the battery in the battery compartment.**
- Examine the battery, charger and their connectors for excessive wear or damage each time you charge the battery. If damage is detected, do not use the charger or the battery until you have replaced the worn or damaged part.

Disposal

- Your Power Wheels® battery is a sealed lead-acid battery. It must be recycled or disposed of in an environmentally sound manner.
- Do not dispose of a lead-acid battery in your regular, household trash. The incineration, landfilling or mixing of sealed lead-acid batteries with household trash is prohibited by law in most areas.
- Return exhausted batteries to a federal or state approved lead-acid battery recycler, such as a Power Wheels® authorized service center, or a local seller of automotive batteries. For the service center location nearest you, please call 1-800-348-0751. Contact your local waste management officials for other information regarding the environmentally sound collection, recycling and disposal of lead-acid batteries. If you live in the State of Florida or Minnesota, it is prohibited by law for anyone to throw away lead-acid batteries in the municipal waste stream.

J

Rules for Safe Driving

RIDING HAZARD

WARNING

Prevent Injuries and Deaths

- Direct Adult Supervision Required
- Keep Children Within Safe Riding Areas

These areas must be:

- away from swimming pools and other bodies of water to prevent drownings
- generally level to prevent tipovers
- away from steps, driveways, roads and alleys.



Use vehicle on generally level ground ONLY!

Teach Safety Rules to Children

While children can quickly develop the skill necessary to drive this vehicle, it is important to remember that their judgment skills are still very immature. Unsupervised driving by children can lead to serious injury. Before children use this vehicle, an adult should carefully evaluate the driving area as well as the children's skill level and ability to drive this vehicle safely. Children are not always able to recognize or anticipate hazards, even when they have been taught about them. **There is no acceptable substitute for direct adult supervision.**

Teach appropriate safety rules to your child before allowing operation of this vehicle. These rules should also be reviewed with neighborhood children or other playmates who want to drive this vehicle.

Riding Rules

Make sure children know and follow these rules for safe driving:

1. Always sit on the seat.
2. Always wear shoes.
3. Only 1 (one) rider at a time. A child who is not sitting on the seat or who is standing on the vehicle could fall off, cause a tip-over or block the driver's view. A child could be seriously injured.
4. Do not allow any child to drive the vehicle in the street or near moving (motorized) vehicles.
5. Do not allow any child to drive near bodies of water (such as pools or creeks), obstructions (such as furniture, low tree limbs or play equipment), or drop-offs (such as stairs or decks).
6. Do not allow any child to drive the vehicle in the dark. A child could encounter unexpected obstacles and have an accident. Operate the vehicle only in the daytime or a well-lit area.

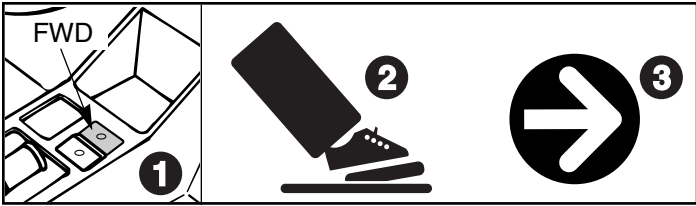
7. Do not allow your child to drive on sloped or inclined surfaces. **Restrict your child's driving to generally level ground ONLY!**
8. Do not allow your child to drive down or across a steep slope.
 - The vehicle may gain unsafe speed, even if the pedal is released to stop.
 - The vehicle may tilt and tip over.
 - The wheels could lose traction, causing the vehicle to slip.
9. Do not allow your child to drive up steep inclines. The motor may stop and the vehicle could roll backwards at an unsafe speed.
10. Never put anything near any moving parts. Rotating parts such as motors, gear boxes and wheels can snag fingers, hair, etc., causing serious injury. Do not allow operation of the vehicle when it is on its side or in an upside-down position.
11. Do not operate the vehicle near flammable vapors (gasoline, paint thinner, acetone, liquid wax, etc.). The vehicle's electrical switches, like most electrical switches, emit an internal spark when first turned on or turned off. The presence of flammable liquids or vapors could cause an explosion or a fire. Keep all flammable products in tightly sealed containers and away from the vehicle.
12. Do not allow a child to operate the vehicle without direct adult supervision. To prevent unsupervised use of the vehicle, disconnect the motor harness from the battery when the vehicle is not in use.

To disconnect the motor harness connector an battery connector:

- Lift the hood.
- Remove the battery clamp (engine cover).
- Squeeze the tabs on the motor harness connector to unplug it from the battery connector.
- Replace the battery clamp (engine cover).
- Lower the hood and fasten the hood latches.

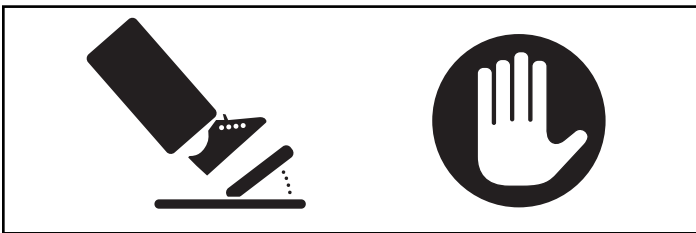
K

How to Operate Your Vehicle



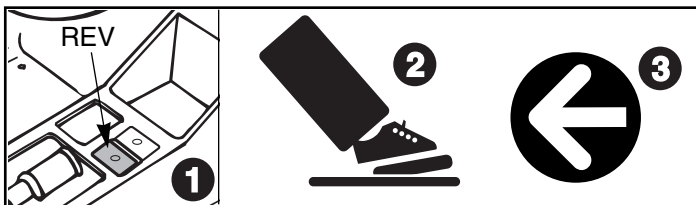
To Drive

- Push the top button (FWD) on the FORWARD/REVERSE switch to drive forward ①.
- Press down on the foot pedal ②. The vehicle will go forward at a maximum of 2½ mph ③.
- Help your child practice steering to learn how far and how quickly to turn the steering wheel when driving forward.



To Stop

- Your vehicle has a patented, electronic braking system that automatically stops the vehicle when your child's foot is lifted from the pedal.



To Back-Up

- Once your child is comfortable operating the vehicle in FORWARD, introduce REVERSE (REV).

Note: To prevent damage to the motors, stop the vehicle before switching between FORWARD and REVERSE.

- Push the bottom button (REV) on the FORWARD/REVERSE switch to drive in reverse ①.
- Press down on the foot pedal ②. The vehicle will go in reverse at a maximum of 2½ mph ③.
- Help your child practice steering to learn how far and how quickly to turn the steering wheel when driving reverse.

L

Caring For Your Vehicle

- Check all screws, retainers and protective coverings regularly and tighten as required. Check plastic parts on a regular basis for cracks or broken pieces.
- During snowy or rainy weather, the vehicle should be stored inside or under a protective cover. Remember to charge the battery at least once per month while your vehicle is not in regular use.
- Avoid operating the vehicle in wet or snowy conditions, and do not spray the vehicle with a hose. Do not wash the vehicle with soap and water. Water or moisture in the motor or electrical switches can cause them to corrode, and could cause switch or motor failure.
- Avoid operating the vehicle on sand, loose dirt or gravel. Sand, loose dirt or gravel in the motor or electrical switches can cause them to jam, and could cause switch or motor failure.
- The vehicle can be wiped down with a soft, dry cloth. For a shiny finish, you can wipe plastic parts with a non-wax furniture polish applied to a soft-cloth. Do not use automotive wax. Do not use soap and water or spray the vehicle with a hose.
- To ensure that your vehicle stays in good operating order, we recommend that you periodically have your vehicle checked by a Power Wheels® authorized service center. See page 25 for the list of authorized service centers or call **1-800-348-0751** for the location of the authorized service center nearest you.

M

Problems and Solutions Guide

IMPORTANT! If you experience a problem with your vehicle, first check the Problems and Solutions Guide below. If you still experience a problem, please contact Power Wheels® Consumer Relations, toll-free at **1-800-348-0751** between 8 AM and 6 PM (EST) Monday through Friday. Or, contact your local Power Wheels® authorized service center. For the location nearest you, please refer to the Authorized Service Center list beginning on page 25.

Problem	Possible Cause	Solution
Vehicle does not run	Undercharged battery	Charge the battery. A new battery should have been charged for at least 18 hours before using the vehicle for the first time. After first-time use, recharge the battery for at least 14 hours after each use. Never charge the battery longer than 30 hours.
		Check all connectors. Make sure the battery connector is tightly plugged into the charger connector, and that the charger is plugged into the wall.
		Make sure power flow to the wall outlet is "ON".
	Charger is not working	There is no sure way to tell if your charger is working unless you have a volt meter. If you suspect there is a problem with your charger, contact your local Power Wheels® authorized service center. They can test your charger for you.
	Wrong type or improperly installed fuse	Make sure that the battery has a properly installed Power Wheels® 25 amp fuse before charging. Do not substitute parts.
	Blown fuse	Make sure that the fuse in the battery is in good condition. Replace a blown fuse with a Power Wheels® 25 amp fuse. Do not substitute parts.
	Loose wire or loose connectors	Check all wires and connectors. Make sure the battery connector is tightly plugged into the motor harness connector, and that there are no loose wires around the motors.
	Dead battery	If your battery is old or if you have not followed Battery Care instructions, your battery may be dead. If you are unsure whether or not the battery is dead, you can have it tested at your local Power Wheels® authorized service center.
	Electrical switch damage	The electrical switches can become corroded due to exposure to water or moisture, or can jam due to loose dirt, sand or gravel. Contact your local Power Wheels® authorized service center for diagnosis and repair.
Motor damage	Contact your local Power Wheels® authorized service center for diagnosis and repair.	

Problems and Solutions Guide

Problem	Possible Cause	Solution
Vehicle was running but suddenly stopped	Loose wire or loose connectors	Check all wires and connectors. Make sure the battery connector is tightly plugged into the motor harness connector, and that there are no loose wires around the motors.
	Wrong type or improperly installed fuse	Make sure that the battery has a properly installed Power Wheels® 25 amp fuse before charging. Do not substitute parts.
	Blown fuse	Make sure that the fuse in the battery is in good condition. Replace a blown fuse with a Power Wheels® 25 amp fuse. Do not substitute parts.
	Vehicle is overloaded	Make sure you do not overload the vehicle by allowing more than 1 rider at one time, by exceeding the 50 lb maximum weight capacity, or by towing objects behind the vehicle.
	Driving conditions are too stressful	Use only on generally level ground. Extreme temperatures can also affect run time.
Short run time	Undercharged battery	Charge the battery. A new battery should have been charged for at least 18 hours before using the vehicle for the first time. After first-time use, recharge the battery for at least 14 hours after each use. Never charge the battery longer than 30 hours.
		Check all connectors. Make sure the battery connector is tightly plugged into the charger connector, and that the charger is plugged into the wall.
		Make sure power flow to the wall outlet is "ON".
	Overcharged battery	Do not charge the battery longer than 30 hours. If you suspect that your battery is damaged as a result of overcharging, contact your local Power Wheels® authorized service center. They can test your battery for you.
	Battery is old and will not accept full charge	Even with proper care, a rechargeable battery does not last forever. Average battery life is 1 to 3 years depending on use conditions. Replace the battery with a Power Wheels® Type H 6 Volt battery. Do not substitute parts.
	Wrong type or improperly installed fuse	Make sure that the battery has a properly installed Power Wheels® 25 amp fuse before charging. Do not substitute parts.
	Driving conditions are too stressful	Use only on generally level ground. Extreme temperatures can also affect run time.

Problems and Solutions Guide

Problem	Possible Cause	Solution
Vehicle runs sluggishly	Undercharged battery	Charge the battery. A new battery should have been charged for at least 18 hours before using the vehicle for the first time. After first-time use, recharge the battery for at least 14 hours after each use. Never charge the battery longer than 30 hours.
		Check all connectors. Make sure the battery connector is tightly plugged into the charger connector, and that the charger is plugged into the wall.
		Make sure power flow to the wall outlet is "ON".
	Battery needs charging	After approximately 3 hours of constant use, the battery needs charging.
	Wrong type or improperly installed fuse	Make sure that the battery has a properly installed Power Wheels® 25 amp fuse installed before charging. Do not substitute parts.
	Battery is old and will not accept full charge	Even with proper care, rechargeable batteries do not last forever. Average battery life is 1 to 3 years depending on the vehicle use and use conditions. Replace the battery with a Power Wheels® Type H 6 Volt battery. Do not substitute parts.
	Vehicle is overloaded	Make sure you do not overload the vehicle by allowing more than 1 rider at one time, exceeding the 50 lb weight capacity, or by towing objects behind the maximum vehicle. If the vehicle is overloaded, the fuse in the battery may blow. Remove the fuse from the battery and check to see if it has blown. Replace a blown fuse with a Power Wheels® 25 amp fuse.
Driving conditions are too stressful	Use only on generally level ground. Extreme temperatures can also affect run time.	
Sometimes the vehicle doesn't run but other times it does	Loose wire or loose connectors	Check all wires and connectors. Make sure the battery connector is tightly plugged into the motor harness connector, and that there are no loose wires around the motors.
	Motor or electrical switch damage	Contact your local Power Wheels® authorized service center for diagnosis and repair.
When the foot pedal is pressed, the vehicle won't run without a push	Loose wire or loose connectors	Check all wires and connectors. Make sure the battery connector is tightly plugged into the motor harness connector, and that there are no loose wires around the motors.
	"Dead Spot" on motor	Contact your local Power Wheels® authorized service center for diagnosis and repair.

Problems and Solutions Guide

Problem	Possible Cause	Solution
Vehicle constantly blows fuses	Wrong type of fuse used	Your vehicle requires a Power Wheels® 25 amp fuse in the battery. Make sure the Power Wheels® 25 amp fuse is properly installed. Do not substitute parts.
	Child is switching between FORWARD and REVERSE without stopping.	Teach your child to stop the vehicle before switching between FORWARD and REVERSE.
Loud clacking or grinding noise from a motor-gearbox	Broken gears	Contact your local Power Wheels® authorized service center for diagnosis and repair.
Charger gets warm during use	It is normal for some chargers to get warm during use and is not reason for concern. Some chargers do not get warm during use.	No action required.
		If your charger does not get warm during use, it does not mean that it is not working properly.
Battery makes a sizzling or gurgling noise when charging	It is normal for some batteries to make noise and swell slightly while charging and is not reason for concern. Some batteries do not make noise or swell while charging.	No action required.
		If your battery does not make noise or swell slightly during charging, it does not mean that it is not accepting the charge.

If, after reviewing the Problems and Solutions Guide, the vehicle still fails to operate, please contact your nearest authorized service center (see page 25) or contact Power Wheels® Consumer Relations toll-free at **1-800-348-0751**.

Hint: For faster service when calling Consumer Relations, completely charge the battery before calling and have the following available by the phone:

- vehicle,
- vehicle model number (see sticker in battery compartment),
- vehicle production run number (see sticker in battery compartment),
- Phillips screwdriver, slotted screwdriver and needle-nose pliers with plastic or rubber handles,
- an extra Power Wheels® 25 amp fuse is helpful.

N**Bumper-to-Bumper* Limited Warranty**

***One year limited warranty from the date of purchase on the Power Wheels® vehicle.**

Six month limited warranty on 6 volt battery.

For the original purchaser, this one year limited warranty covers the Power Wheels® ride-on vehicle (purchased from Power Wheels®) against defects in materials and workmanship. The six month limited warranty applies only to the 6 volt battery included by Power Wheels® with the original purchase of the vehicle.

This warranty covers normal use and does not cover the Power Wheels® vehicle or battery if it has been damaged by unreasonable use, neglect, accident, abuse, misuse, improper service or other causes not arising out of defects in materials or workmanship. Evidence of any attempt at consumer repair will void this warranty.

THIS WARRANTY DOES NOT COVER, AND IS INTENDED TO EXCLUDE, ANY LIABILITY ON THE PART OF POWER WHEELS®, WHETHER UNDER THIS WARRANTY OR IMPLIED BY LAW, FOR ANY INDIRECT OR CONSEQUENTIAL DAMAGES FOR BREACH OF WARRANTY. SOME STATES DO NOT ALLOW THE EXCLUSION OR LIMITATION, SO THIS LIMITATION MAY NOT APPLY TO YOU.

Should you need service or assistance with your vehicle during the warranty period, **do not return the vehicle to the store.** Power Wheels® has provided a nationwide network of authorized service centers. Please refer to the list in this manual. Power Wheels® is continually expanding our Authorized Service Center Network. If there is not an authorized service center in your area, please call Consumer Affairs for information, **1-800-348-0751.**

This warranty gives you specific legal rights, and you may also have other rights which may vary from state to state.

Please save your original sales receipt.

O

Authorized Service Centers

We are continually expanding our Authorized Service Center Network. Please check this listing for the Authorized Service Center nearest you. If there is not one in your area, please call Power Wheels® Consumer Relations at 1-800-348-0751.

ALABAMA

BIRMINGHAM - Frigid Service & Sales, 701 Graymont Ave. North, 35203, (205) 323-5831
BIRMINGHAM - Frigid Service & Sales, 1861 Centerpoint Rd., 35215, (205) 853-3952
BIRMINGHAM (HOMEWOOD) - D & R Appliance Company, 154 West Valley Ave., 35209, (205) 942-3959
DECATUR - Peddler II, 1000 B Bellline Road, 35603, (205) 350-1044
DOTHAN - Bill's Appliance Service, 208 Bic Road, P.O. Box 1192, 36303, (334) 792-7746
DOUGLAS - Brown Hardware, Highway 75, 35964, (205) 593-6086
HUNTSVILLE - C & G Appliance, 307 Jordan Lane, 35805, (205) 837-4551
MOBILE - Foster's Appliance Repair, 1660 South Bellline Highway, 36693, (334) 666-2670
MONTGOMERY - Acme Service Co., 2603 Highland Ave., 36107, (334) 264-2456

ALASKA

ANCHORAGE - Ken's Electronics Service, 360 E. Inter-national, Ste. 8, 99518, (907) 562-3443

ARIZONA

GLENDALE - Elliott Electric Appliance Service, 6242 N. 43rd Avenue, 85301, (602) 937-2613
Scottsdale - Elliott Electric, 7515 E. McDowell Road, 85257, (602) 946-7487
TUCSON - Arizona Small Appliance Service Co., 5033 E 5th Street, 85711, (520) 325-3988

ARKANSAS

FT. SMITH - Bromley Appliance Service, 614 North 10th Street, 72901, (501) 782-9646
HOT SPRINGS, The Battery Center, 400 Airport Road, 71913, (501) 624-7144
JONESBORO - Best Sewing & Vacuum & Repair, 2235 S. Caraway Road, 72401, (501) 935-4739, (800) 844-4739
LITTLE ROCK - C & W Tool Repair, 1303 W. Markham, 72201, (501) 374-1911
MENA - Bearcat Starter & Alt., 902 Highway 71 South, 71953, (501) 394-0320
ROGERS - Kressel's Vacuum & Repair, 115 North 5th Street, 72756, (501) 636-7894
STUTT GART - Davis Lumber Company, 301 East Michigan, 72160, (501) 673-3601

CALIFORNIA

ANDERSON - Hardware Express/ Do It Best, 2681 Balls Ferry Road, 96007, (916) 365-3783
BAKERSFIELD - Southwest TV, 6300 White Lane, Suite B, 93309, (805) 397-4940
CONCORD - California Electric Service Center, 1170-G Burnett Avenue, 94520, (510) 827-1011
COVINA - California Electric Service Center, 612 Shoppers Lane, 91723, (818) 915-4935
DUBLIN - California Electric Service, 8947 San Ramon Road, 94568, (510) 551-3390
FONTANA - California Electric Service Center, 9794 Sierra Avenue, 92335, (909) 355-2500
FORT JONES - Ft. Jones Frontier Hardware, 11911 Main Street, 96032, (916) 468-2266
FRESNO - Valley Small Appliance, 4005 E. Ashlan Avenue, 93726, (209) 224-5530
FULLERTON - California Electric Service Center, 1208 E. Ash Avenue, 92631-5020, (714) 870-0900
LOS ALAMITOS - California Electric Service Center, 11284 Los Alamitos Blvd., 90720, (562) 430-2668
MERCED - Moosehead Electronics, 920 W. 18th Street, 95340, (209) 723-4712
MISSION VIEJO - California Electric Service Center, 23725 Via Fabricante, Unit B, 92691, (714) 586-9440
OAKLAND - California Electric Service Center, 1139 E. 12th Street, 94606, (510) 834-1050
OXNARD - Tiny's Inc., The Clean-up Store, 1237 Saviers Road, 93033, (805) 487-9401, (800) 845-3223
PASADENA - California Electric Service Center, 2594 E. Colorado Blvd., 91107, (818) 792-3194
SACRAMENTO - California Electric Service Center, 1821 "Q" Street, 95814, (916) 443-5711
SALINAS - SRS Hobbies, 1038A North Davis Road, 93907, (408) 424-4044
SAN CARLOS - California Electric Service Center, 990 Industrial Road, Suite 102, 94070, (415) 593-6696
SAN DIEGO - California Electric Service Center, 3430 El Cajon Blvd., 92104, (619) 283-6488

SAN FRANCISCO - California Electric Service Center, 1090 Bryant Street, 94103, (415) 431-8494
SAN JOSE - California Electric Service Center, 481 So. Bascom, 95126, (408) 295-1723
SANTA ANA - California Electric Service Center, 2025 South Main Street, 92707, (714) 641-0529
SANTA ROSA - Hardisty's Inc., 710 Farmers Lane, 95405, (707) 545-0535
STOCKTON - California Electronics, 929 North Yosemite Street, 95203, (209) 466-5432
TEMECULA - California Electric Service Center, 41715 Enterprise Circle North, Suite 101, 92590, (909) 695-5445
VAN NUYS - California Electric Service Center, 14753 Oxnard Blvd., 91411, (818) 997-8855
WEST LOS ANGELES - California Electric Service Center, 2314 S. Westwood Blvd., 90064, (310) 475-2532
YUCAIPA - Aire-Rite Heating & A/C, 34724 Yucaipa Blvd., 92399, (909) 797-2788

COLORADO

COLORADO SPRINGS - Nelson Appliance Repair, Inc., 1220 E. Fillmore, 80907, (719) 635-1928, (800) 291-8010
DENVER - Appliance Service, 4262 Lowell Blvd., 80211, (303) 458-1109, (800) 631-0941 (CO, WY only)
DENVER (ENGLEWOOD) - Appliance Service, 3932 S. Broadway, 80110, (303) 781-1227, (800) 553-1864
GRAND JUNCTION - V & L Appliance Service, 591 25 Road Suite A6, 81506, (970) 243-3360

CONNECTICUT

HARTFORD - Hartford Element & Appliance Service, 1500 Albany Avenue, 06112, (860) 246-7424, (800) 787-7977
NEW HAVEN (HAMDEN) - New Haven Appliance Service Center, 1627 Dixwell Avenue, 06514, (203) 288-6229
SHELTON - Jeff's Appliance, Inc., 500A Howe Avenue, 06484, (203) 924-8997
STAMFORD - Appliance Servicer of Stamford, 15 Cedar Heights Road, 06905, (203) 322-7656
WATERBURY - P.J. Appliance Repair, 935 South Main Street, 06706, (203) 757-1014

DELAWARE

DOVER - Del-Mar Appliance of Delaware, 230 South Governors Avenue, 19904, (302) 674-2414, (800) 858-3424
wilmington - Lyons Hardware, Inc., 2021 Kirkwood Highway, 19805, (302) 995-1260

FLORIDA

ATLANTIC BEACH - First Coast Repair, 25 Seminole Road, 32233, (904) 246-4616
CAPE CORAL - Family Hardware/Do-It Express, 622 SE 47th Terrace, 33904, (941) 542-6365
DELRAY - Mister Fix It, 209 S.E. 2nd Avenue, 33483, (561) 243-9999
GAINESVILLE - Authorized Appliance Service Co., 2614 S.W. 34th Street, 32608, (352) 375-3886
HIALEAH - S-O Service Co., 925 Hialeah Drive, 33010, (305) 887-6275
HOLLY HILL - Ormond Element, 1668 Ridgewood Avenue, 32117, (904) 677-3497
JACKSONVILLE - Authorized Appliance Service Co., 6120-5 Powers Avenue, 32217, (904) 737-5312
LAKELAND - Electric Shaver & Small Appliance, 4243 S. Florida Avenue, 33813, (941) 644-4690
MIAMI - Goodman's Sales & Service, 13081 SW 133 Court, 33186, (305) 278-8822
NORTH FORT MYERS - Family Hardware, 13817 N. Cleveland Ave., 33903, (941) 995-6161
NORTH PALM BEACH - Appliance Doctors, 450 Northlake Blvd., 33408, (407) 845-0377, FAX (407) 845-0378
OCALA, Vacuums, Inc., 3535 S.E. Maricamp Road, #103, 34471, (904) 694-2247
OCALA, Vacuums, Inc., 2461-A SW 27th Avenue, 34474, (352) 854-2247
ORLANDO - Pine Hills Appliance Svc. Co., 6100-4 W. Colonial Drive, 32808, (407) 299-1271
ORLANDO - Southern Electric Co., 510 N. Parramore Avenue, 32801, (407) 841-8824, (800) 940-8824
PANAMA CITY, Callaway Vacuum & Sewing, 221 N. Tyndall Prkwy., 32404, (904) 763-6333
PENSACOLA - Foster's Appliance Repair, 3836 N. Davis Highway, 32503, (904) 432-8853
POMPANO BEACH - Authorized Appliance Service Co., 2171 N. Dixie Highway, 33060, (954) 941-2038
POMPANO BEACH - Philips Consumer Electronics, 2099 W. Atlantic Blvd., 33069, (954) 978-0467
PORT ST. LUCIE - Hoppe's Authorized Vac & Appliance, 6735 S. Federal Way, 34592, (561) 464-0102

ROCKLEDGE - Neelco Do-It Center, 400 Barton Blvd., 32955, (407) 639-1400
SARASOTA - Sunray Small Appliances, 8371 N. Tamiami, 34243, (941) 358-9999, (800) 895-5655
SEBRING - Sebring Do-It Center, 305 U.S. 27 North, 33870, (941) 385-2785
SPRING HILL - Crowder Bros Hardware, 5350 Spring Hill Dr., 34606, (352) 686-4743
ST. PETERSBURG - Keystone Electric, 4604 Central Avenue, 33711, (813) 321-1124
STUART - Appliance Doctors, 3166 S.E. Dixie Highway, 34997, (561) 287-6437

GEORGIA

ATLANTA - Georgia Service Center, 5366 Buford Hwy., 30340, (770) 455-1716, (800) 455-1715
ATLANTA (MARIETTA) - Philips Consumer Electronics, 200 N. Cobb Parkway, Bldg. #100, Suite 120, 30062, (770) 795-0085
AUGUSTA - A & A Appliance Parts & Service, 1708 Walton Way, 30904, (706) 733-5163
BRUNSWICK - Arco Hardware & Supply, 3711 Community Road, 31520, (912) 267-0771
COLUMBUS - Burrell's National Appliance Service, 1728 Warm Springs Road, 31904, (706) 327-0523
LOGANVILLE - Mtn. Mower Sales and Service, 6099C Hwy. 20, 30249, (770) 466-9111
SAVANNAH - Hagins Appliance Service, 3 West Victory Drive, 31405, (912) 233-8372
TIFTON - Western Auto, 354 S. Main St., 31794, (912) 382-5767
VALDOSTA - Harry B. Anderson, Inc. Western Auto, 204 Central Avenue, 31601, (912) 242-5945

HAWAII

HONOLULU - McCully Bicycle & Sporting Goods, 932 Hausten Street, 96826, (808) 946-1192
WAILUKU (MAUI) - Tom's Appliance Sales & Service, 891 Eha Street, 96793, (808) 244-6278
WAIPAHU - Waipahu Bicycle, 94-320 Depot Street, 96797, (808) 671-4091

IDAHO

BOISE - Boise Appliance, 1503 Main Street, 83702, (208) 343-0102

ILLINOIS

CHAMPAIGN - Appliance Parts & Service Center, 905 Francois, 61821, (217) 355-0220
CHICAGO (BERWYN) - Brand Service Center, 6739 West Cermak, 60402, (708) 749-4315
CHICAGO (DOWNER'S GROVE) - Authorized Appliance Service Co., 1644 W. Ogden Avenue, 60515, (630) 852-1550
CHICAGO (MORTON GROVE) - Brand Service Center, Inc., 5618 Dempster Street, 60053, (847) 965-5900
DECATUR - Rexx Battery of Decatur, Inc., 1330 East Eldorado, 62521, (217) 422-0281
JACKSONVILLE - Rexx Battery Specialists, 847 South Main Street, 62650, (217) 245-2713
nashville - Kesel Hardware, 173 West St. Louis, 62263, (618) 327-8957
NILES - Household Appliance Sales & Serv., 7411 N. Milwaukee Ave., 60714, (847) 647-8250
PEORIA - Brand Service Center, 6926-N North University Street, Tanglewood Center, 61614, (309) 691-7588
ROCKFORD - Sun Appliance Sales & Service, 3112 N. Rockton Avenue, 61103, (815) 964-3866
SPRINGFIELD - Bannan Electronics, 1224 N. Franklin, 62702, (217) 523-0313
WAUKEGAN - Brand Service Center, 2850 Belvidere Road, 60065, (847) 244-5800

INDIANA

EVANSVILLE - Electro Hygiene Co., 1614 South Kentucky, 47714, (812) 425-2671
FT. WAYNE - Don's Harware, 5701 Coventry Lane, in the Village of Coventry, 46804, (219) 436-2278
FT. WAYNE - Sun Appliance Service & Sales, 3523 N. Anthony Blvd., 46805, (219) 482-1702

INDIANAPOLIS - Brand Service Center, 1827 N. Meridian Street, 46202, (317) 924-1386

INDIANAPOLIS - Sullivan Hardware Do-It Center, 7021 N. Keystone, 46220, (317) 255-9230
NEW ALBANY - Wells Hardware, Inc., 1011 Vincennes Street, 47150, (812) 944-4523
SOUTH BEND - Ray's TV and Appliance, 60717 US 31 South, 46614, (219) 291-1630
SOUTH BEND (OSCEOLA) - AAA Appliance Service Co., 11868 Lincoln Way West, 46561, (219) 679-4981
TERRE HAUTE - Corey Electronics, 1101 S. 8th Street, 47802, (812) 232-8786, (888) 232-8786

25

Authorized Service Centers

IOWA

BETTENDORF - K & K True Value Hardware, 1818 Grant Street, 52722, (319) 359-4473
CEDAR RAPIDS - Stalker Electric, Inc., 110 3rd Ave. SW, 52404, (319) 364-5646
DES MOINES - Quality Appliance Repair Center, 1417 Walnut Street, 50309, (515) 288-0108
Dubuque - Shaver's Plus, 1824 Central Avenue, 52001, (319) 556-4442
SIoux CITY - Millard Television Inc., 1419 Hamilton Blvd., 51103, (712) 258-3435

KANSAS

COLBY - Gavon's Electronics, 1870 South Range, 67701, (913) 462-6601
JUNCTION CITY - R/C Hobbies, 115 W. 7th Street, 66441, (913) 238-1877
KANSAS CITY (OVERLAND PARK) - Mar-Beck Appliance Service Co., 8471 West 95th Street, 66212, (913) 642-1557
WICHITA - Alan Appliance Service, Inc., 1300 E. Central, 67214, (316) 262-7228, (800) 290-7228

KENTUCKY

GREENVILLE - Malone Lumber Do-It Center, 204 W. Depot Street, 42345, (502) 338-3252
LEXINGTON - Factory Electronics, 2422 Palumbo Drive, 40509, (606) 269-7341
LEXINGTON (VERSAILLES) - Deaver's Hardware, 221 N. Main St., 40383, (606) 873-7396
LOUISVILLE - Maury's Fluorescent & Appliance Service, 1521 Bardstown Road, 40205, (502) 456-1671
MADISONVILLE - Kuester's Hardware, N. Main St., Martin Mall, 42431, (502) 825-2818
MT. WASHINGTON - Mt. Washington Auto Supply, 520 N. Bardstown Rd, P.O. Box 316, 40047, (502) 538-4296
OWENSBORO - Kuester's Hardware, 1210 Carter Road, 42301, (502) 685-4916
PADUCAH - Hank Brothers True Value, 3101 Lone Oak Rd., 42003, (502) 554-4001

LOUISIANA

BATON ROUGE - Home Appliance Service, Inc., 10781 Florida Blvd., 70815, (504) 272-7727
HAMMOND - Battery Depot, 207 E. Thomas Street, 70401, (504) 542-4983
LAFAYETTE - Cullen's Playland, 4498 Johnston Street, 70503, (318) 981-2929
LAKE CHARLES - Capitol Schwinn Cyclery, 722 E. Prien Lake Road, 70605, (318) 474-9090
NEW ORLEANS (METAIRIE) - Le Jouet, Inc., 1700 Airline Hwy., 70001, (504) 837-0533
SHREVEPORT - Shreveport Shaver and Appliance, 9750 St. Vincent, Burt Kouns Ind. Loop, 71106, (318) 865-5088, (800) 349-7722

MAINE

BANGOR - Adco Surgical Supply Co., 1292 Hammond St., 04401, (207) 942-5273
GREENE - Brule's Auto Clinic & Sales, 968 Sawyer Road, 04236, (207) 375-4872
Portland - Colonial Electronics, Inc., 259 St. John Street, 04102, (207) 774-6666

MARYLAND

BALTIMORE (ELLCOTT CITY) - Clark Do-It Center, 10325 Baltimore National Pk., 21042, (410) 313-8100
BALTIMORE (TOWSON) - Duran Service Company, 8741 Mylander Lane, 21286, (410) 321-9033
BERLIN - Myers Auto-Power Tool Rental Co., Inc., 10714 Ocean Gateway, 21811, (410) 641-3497
GAITHERSBURG - Waters Appliance Service, 216 E. Diamond Avenue, 20877, (301) 258-7500, (800) 225-5009
SALISBURY - Cycle and Sports Outlet, 2505 N. Salisbury Blvd., 21801, (410) 860-0400
TANEYTOWN - MacHenry Services, 68 Frederick Street, 21787, (410) 756-6659, (800) 276-1301
WASHINGTON D.C. (BELTSVILLE) - Philips Consumer Electronics, 10800 Rhode Island Avenue, 20705, (301) 595-5330, (800) 438-9647

MASSACHUSETTS

BOSTON (MEDFIELD) - Wills Hardware, 5 Janes Avenue, 02052, (508) 359-4381
BOSTON (WALTHAM) - Suburban Appliance Service Center, Inc., 271 Moody Street, 02154, (617) 893-6694
LOWELL - Lowell Appliance Service Center, Inc., 564 Dutton Street, 01854, (508) 454-8731
MAYNARD - Gramp's Garage, 16 Main Street, 01754, (508) 461-0463
QUINCY - Appliance Service and Parts, Inc., 582 Washington Street, Route 3A, 02169, (617) 773-6656
SALEM - Fix Master, Inc., 190 North Street, 01970, (508) 745-0004
SPRINGFIELD - Utility Electric Service, Inc., 810 Main Street, 01101, (413) 781-1635

MICHIGAN

ALMONT - Almont Hardware, 4545 Van Dyke, P.O. Box 511, 48003, (810) 798-8922
BAY CITY - Bay Vac & Pedal, 805 Columbus Ave., 48708, (517) 892-7516
BRIGHTON - Complete Battery Source, 8023 W. Grand River, 48116, (810) 220-1050
DEARBORN - McNichols Electric Service, 1836 Grindley Park, 48124, (313) 563-7550
DETROIT - McNichols Electric Service, 13725 W. McNichols, 48235, (313) 342-6070, (800) 562-4226
DETROIT (ROYAL OAK) - McNichols Electric Service, 4115 West 13 Mile Road, 48072, (810) 288-5135
FLINT (DAVISON) - Gill-Roy's Hardware, 8405 East Davison, 48423, (810) 653-2288
FLINT (SWARTZ CREEK) - Gill-Roy's Hardware, 9061 Miller Road, 48473, (810) 635-2020
GRAND RAPIDS - Superior Appliance Service Co., 1050 Scribner Avenue, NW, 49504, (616) 459-3271
JACKSON - Hammond Hardware, 1800 Francis St., P.O. Box 7, 49204, (517) 782-0704
KALAMAZOO - Bill Coleman TV, 3938 S. Westnedge, 49008, (616) 344-1200
LANSING - Rapid Appliance Service, Inc., 1454 E. Michigan Avenue, 48912, (517) 485-1320
MIDLAND - Knopic's Do-It Center, 3128 Jefferson Ave., 48640, (517) 832-2774
PRUDENVILLE - Ford's Do-It Center, 841 W. Houghton Lake Drive, 48651, (517) 366-7622
TRAVERSE CITY - De Weese Hardware Inc., 1029 Carver Street, 49685, (616) 947-7670

MINNESOTA

BRAINERD - Diggz Motor Sports, 4299 Hwy. 371 North, 56401, (218) 828-8088
DULUTH - All Brand Mr. Fixit, 16 West First Street, 55802, (218) 722-1499
DULUTH - Mr. Fix it - Metro Appl. Service Center, Inc., 2020 W. Superior St., 55806, (218) 722-9063
MINNEAPOLIS (ST. LOUIS PARK) - Barness, 4631 Excelsior Blvd., 55416, (612) 926-0521
ROCHESTER - Robert's Electronics, 611 6th Ave. NW, 55901, (507) 282-2140
ST. PAUL - Barness, 1573 University Avenue, 55104, (612) 646-3109

MISSISSIPPI

HATTIESBURG - Champion Cycle & Fitness, 104 South 37th Avenue, 39401, (601) 264-8233
IJKA - W. H. Fairless Hardware Co., Inc., 117 Fulton Street, 38852, (601) 423-2233, (800) 797-9457
JACKSON (RIDGELAND) - Propeller Service, 291 Hwy. 51, Suite D6, 39157, (601) 856-3191
Meridian - Broadmoor Home Center, 2420 Old North Hills Street, P.O. Box 3280, 39305, (601) 483-7373
NATCHEZ - Western Auto, 180 Seargent Prentiss Dr., 39120, (601) 445-4186
STARKVILLE - East Mississippi Lumber Co., 300 Russell Street, 39759, (601) 323-3554

MISSOURI

INDEPENDENCE - Mar-Beck Appliance Service Co., 4476 South Noland Road, 64055, (816) 478-1889
KANSAS CITY - Mar-Beck Appliance Service Co., 303 W. 79th Street, 64114, (816) 523-6931
KANSAS CITY (GLADSTONE) - Mar-Beck Appliance Serv. Co., 6559 N. Oak Traffic Way, 64118, (816) 436-9191
POPLAR BLUFF - Mills Iron & Supply, 1919 S. Westwood Blvd., 63901, (573) 785-2628
SPRINGFIELD - Mar-Beck Appliance Service Co., 2704 S. Glenstone Avenue, 65804, (417) 882-3070
st. Louis - Authorized Appliance, Inc., 2355 Hampton Avenue, 63139, (314) 647-4250
ST. LOUIS - Brand Service Center, Inc., 1624 S. Broadway, 63104, (314) 231-0751

MONTANA

BILLINGS - Radio Equipment Company, 1120 16th Street West, 59104, (406) 256-9778, (800) 711-4024

NEBRASKA

GRAND ISLAND - Mundt's Small Appliance & Vacuum Repair, 1822 W. Northfront Street, 68803, (308) 382-5084
LINCOLN - CB Small Appliance, 432 South 11th Street, 68508, (402) 475-2546
LINCOLN - Sperry TV, 1115 North 47th St., 68503, (402) 464-9181
LINCOLN - Sperry TV, 2013 Highway 2, 68502, (402) 464-9181
NORTH PLATTE - Sperry TV, 1855 West A Street, Westfield Shopping Center, 69010, (308) 532-5200
OMAHA - Myers Electric Co., 7571 Dodge Street, 68114, (402) 393-8388, (800) 234-1414
OMAHA - Myers Electric Co., Inc., 1458 South 16th Street, 68108, (402) 342-7710

NEVADA

las vegas - Burney's Commercial Service, Inc., 4480 Aldebaran Avenue, 89103, (702) 736-0006
Minden - Valley Home & Sport Center, 1587 Highway 395, 89423, (702) 782-5111

NEW JERSEY

EAST RUTHERFORD - Philips Consumer Electronics, 180 Manor Road, 07073, (201) 935-0600
HAWTHORNE - Ter Kuile, Inc., 206 Diamond Bridge Avenue, 07506, (201) 423-1142
HIGHLAND PARK - Dash Electronics, 10 N. 2nd Street, 08904, (908) 247-5124
HOWELL - South Jersey TV Service, Inc., 4232 Rt. 9 South, 07731, (908) 363-5550, (800) 244-3094
OCEAN - South Jersey TV Service, Inc., 1719 Route 35, 07712, (908) 531-3565
SICKLERVILLE - Sicklerville Hardware, 540 Williamstown Road, 08081, (609) 728-3800
TOMS RIVER - South Jersey TV Service, Inc., Stella Towne Center, 1258 Route 166, 08753, (908) 505-1771
TOTOWA - Philips Consumer Electronics, 140 J Commerce Way, 07512, (201) 890-0586
TRENTON - Tattersall, Inc., 309 N. Willow Street, 08618, (609) 393-4293

NEW MEXICO

ALBUQUERQUE - Appliance Service Center, 5505 Silver Avenue, SE, 87108, (505) 265-7774
CLOVIS - Burns Hardware, 1511 N. Prince, 88101, (505) 769-2528

NEW YORK

BAYSHORE, L.I. - Turnpike Appliance of Suffolk, Inc., 1253 Sunrise Highway, 11706, (516) 665-8311
binghamton - Hardware Fare DO-IT Center, 1139 Front Street, Nimmonsburg Square, 13905, (607) 722-9202
BUFFALO - Buffalo Appliance Repair Center, Inc., 20 Pannell Street, 14214, (716) 833-4677
BUFFALO (WILLIAMSVILLE) - Hector's Hardware, 876 Maple Road, 14221, (716) 688-4488
COMMACK, L.I. - Turnpike Appliance Service, 6181 Jericho Turnpike, 11725, (516) 499-3355
ELMIRA - Capabilities, Inc., 1149 Sullivan Street, 14901, (607) 734-2006
GREAT NECK - Turnpike Appliance Service Center, 45 Northern Boulevard, 11021, (516) 466-0644
HUDSON - Sweeps Vacuum & Repair Center, Inc., 705 Warren Street, 12534, (518) 828-5457
PEEKSKILL - Clark Appliance & Vacuum Service Corp., 950 Main Street, 10566, (914) 737-1368, (800) 765-0649
POUGHKEEPSIE - S & S Appliance Sales & Service, 390 Violet Avenue, 12601, (914) 452-6122
RICHMOND HILL - Lockdoctor Locksmiths, 104-37 Atlantic Ave., 11418 (718) 441-6242
ROCHESTER - Benfante Appliance Service, 1286 Mt. Hope Avenue, 14620, (716) 473-8765
SEA CLIFF, L.I. - Shabra Electronics, 400 Glen Cove Avenue, 11579, (516) 671-2218
STATEN ISLAND - Springstead Lumber 6232, 4255 Amboy Road, 10308, (718) 984-0300
SYRACUSE - County Wide Appliance, 1001 N. State Street, 13208, (315) 479-5253, (800) 333-3243
TUCKAHOE - Authorized Appliance of Westchester, 26 Columbus Ave., 10707, (914) 961-8011
UTICA - Oneida Bicycle & Sports Center, 2107 Whitesboro St., 13502, (315) 724-6084
WARWICK - Wadeson Home Center, 60 Forester Avenue, 10990, (914) 986-2215, (800) 982-2215 (NY only)
W. HEMPSTEAD L.I. - Turnpike Appliance Service, 86 Hempstead Turnpike, 11552, (516) 486-5700, (800) 628-3911

NORTH CAROLINA

Asheville - Skyland Hardware, 3179 Sweeten Creek Road, 28803, (704) 684-0308
CHARLOTTE - Authorized Appliance Servicer, 1020 Tuckaseegee Road, 28208, (704) 377-4501, (800) 532-6127
CLINTON - Danny's Service Center, 119 Vance Street, 28328, (910) 592-3200
ELIZABETH CITY - Coastal Office Equipment Co., 501 East Church Street, 27909, (919) 335-2927
GREENSBORO - Greensboro Shaver & Appliance, 430 North Eugene Street, 27401, (910) 273-1065
HICKORY - First Flight Bicycles, 2435 N. Center Street, 28601, (704) 324-9350
RALEIGH - Authorized Appliance Service Center, 800 North Person Street, 27604, (919) 834-3476
STATESVILLE - First Flight Bicycles, 216 S. Center St., 28677, (704) 878-9683
WILMINGTON - American Tool & Tractor, 102 Eastwood Road, Ste. D-9, 28403, (910) 392-5784
WINSTON-SALEM - Authorized Appliance Servicer, 904 South Marshall Street, 27111, (910) 725-5396
NORTH DAKOTA
FARGO - General Parts & Supply Co., 10 S. 18th Street, 58103, (701) 235-4161, (800) 279-9987

Authorized Service Centers

OHIO

AKRON - Advanced Appliance Service Company, 73 W. Exchange Street, 44308, (330) 762-8968
CANTON - Appliance Parts Co., 1267 Dueber Avenue, SW, 44706, (330) 453-8077
CINCINNATI - H&S Service, 458 Cincinnati Batavia Pike, 45244, (513) 528-0808
CINCINNATI (SILVERTON) - Brand Service Center, Inc., 6944 Plainfield Road, 45236, (513) 793-1170
CLEVELAND - Majors Appliance, 5845 Turney Road, 44125, (216) 663-4650
Cleveland (MENTOR) - Lake Erie Lawn & Garden, 7833 Munson Rd., 44060, (216) 257-9000
CLEVELAND (PARMA) - Majors Appliance, 5785 Ridge Road, 44129, (216) 884-7200
CLEVELAND (WESTLAKE) - Philips Consumer Electronics, 24090 Detroit Avenue, 44145, (216) 899-2040, (800) 331-7037
DAYTON - Layer Electric, 603 South Ludlow Street, 45402, (937) 224-9608
DAYTON (NEW CARLISLE) - Bailweg Do-It Center, 3300 South Dayton, Lakeview Rd., 45344, (937) 849-1306
LIMA - Crouse Lumber Do-It Center, 333 E. Market Street, 45801, (419) 229-9070, (800) 826-9663
NEW BOSTON - True Value Toy Town, Rt. 52 & 139, 45662, (614) 456-5704
STRYKER - Short's Hardware, 115 N. Depot Street, 43557, (419) 682-4231
TOLEDO - Broadway Sales and Appliance Repair, 1621 Broadway, 43609, (419) 241-9731, (800) 436-5415
YOUNGSTOWN - O'Connor's, 3224 Market Street, 44507, (330) 782-4705

OKLAHOMA

OKLAHOMA CITY - Brand Service Center, 538 N. Pennsylvania Avenue, 73107, (405) 235-0583
TULSA - H.L. Moss, Inc., 1714 E. 15th Street, 74104, (918) 744-1305, (800) 248-5948

OREGON

PORTLAND - Appliance Repair Central, 3203 N. E. Sandy Blvd., 97232, (503) 234-7339, (800) 588-7339

PENNSYLVANIA

ALTOONA - Frye's Sweeper & Sewing Center, Inc., 1400 Valley View Boulevard, 16602, (814) 943-5001, (800) 640-1308
HARRISBURG - C.A. Juillard, Inc., 2301 North Seventh Street, 17110, (717) 233-3488, (800) 633-3488
JOHNSTOWN - Cambria True Value Hardware, West Hills Square, Goucher Street, 15905, (814) 255-4752
KINGSTON - Vac-Way Appliance & Service, 595 Market Street, 18704, (717) 288-4508
LITTLESTOWN - Machinery Services, 830 West King Street, 17340, (717) 359-5051
moscow - Vac-Way Appliance & Service, RR #6 Box 6237, 18444, (717) 842-4668
ORANGEVILLE - Hess Do-It Center & Market, Route 487, Box 4 M, 17859, (717) 683-5162
PHILADELPHIA - Appliance Care/Service Corp., 6407 Rising Sun Ave., 19111, (215) 725-3112
PHILADELPHIA (COLLINGDALE) - J.F. Kenney Electric, 920 MacDade Boulevard, 19023, (610) 534-7373
PITTSBURGH - Ferry Electric Service Co., 7498 McKnight Road, 15237, (412) 364-3403
PITTSBURGH - Ferry Electric Service Co., 140 Clairton Blvd., 15236, (412) 653-6004
READING - Electric Repair Co., 502-504 North 9th Street, 19604, (610) 376-5444, (800) 422-8171 (PA only)
SCRANTON - Vac-Way Appliance and Service, 601 Cedar Avenue, 18505, (717) 343-1121
SHAMOKIN DAM - Willard Battery Outlet, 138 S. Old Trail, 17876, (717) 743-5383
TROY - Hoover Hardware, 9 Canton, 16947, (800) 251-2156, (717) 297-3445
WASHINGTON - Murphy Family Inc., 585 East National Pike, 15301, (412) 225-0324
WILKES-BARRE - Walter Hardware DO-IT Center, 57 N. Welles Street, 18702, (717) 823-1406
YORK - Parcel Plus, 2549 E. Market Street, York Market Place, 17402, (717) 757-1875

PUERTO RICO

GATINEAU - Les Equipements Brabant & Fils, 776B Blvd. Maloney, J8P 1G6, (819) 663-2526
Hatillo - Tropical Parts Service, P.O. Box 1335, Road 130 KM 8.5, 00659, (787) 898-6474
MAYAGUEZ - Cardona Appliance Service, 8 San Vicente Sreet, 00680, (787) 832-8366
MAYAGUEZ - Melendez Home Appliance Repair, Calle Post 319 Sur, 00680, (787) 832-5225
PONCE - Ferreteria Vivian, Centro Comercial, Los Caobos #7, 00731, (787) 840-0677
PUERTO NUEVO - Buckeye Service, 1013 Jesus T. Pinero Avenue, 00920, (787) 782-6175

RHODE ISLAND

PROVIDENCE - Marshall Electric Co., 200 Broad Street, 02903, (401) 331-4482

SOUTH CAROLINA

CHARLESTON HEIGHTS - Dorchester Electric Service, 3575 Dorchester Avenue, 29405, (803) 747-5221
COLUMBIA - Authorized Appliance Servicenter, 1811 Taylor Street, 29202, (803) 254-8414
DARLINGTON - Hobbies and More, 1570 South Main Street, 29532, (803) 393-0355, FAX (803) 393-8171
GREENWOOD - Bikes & Boards & Mopeds, 203A Montague Avenue, 29646, (864) 229-2453
SENECA - Seneca Micronics, 110 East North First, 29678, (864) 882-6593
SPARTANBURG - Boiling Springs Hardware, 3124 Boiling Springs Rd, 29303, (864) 578-1852
VARNVILLE - P&S Small Engine & Variety Shop, 105 Carolina Avenue, West, 29944, (803) 943-9141

TENNESSEE

CHATTANOOGA - Light Electric, 732 East 11th Street, 37403, (615) 267-9224
KNOXVILLE - Appliance & Electric Service Company, 4816-M Kingston Pike, 37919, (423) 588-5395, (800) 585-5395
KNOXVILLE - Authorized Appliance Service Center, 1206 North Central Street, 37917, (423) 524-3376
MEMPHIS - Camp Electric Co., 647 Madison Avenue, 38103, (901) 527-7543, (800) 238-7345
NASHVILLE - Webb's Appliance Service Center, Inc., 1519 Church Street, 37203, (615) 329-4079, (800) 899-4079

TEXAS

ABILENE - Metro Small Appliance Service Co., 141 S. Clyde, 79605, (915) 672-1853
AMARILLO - Reid's Appliance Service, Inc., 906 Georgia, 79102, (806) 373-8812
ANTHONY - Villarreal & Sons Elec., 512 S. Third Street, 79821, (915) 886-3362
AUSTIN - Harrell Supply and Service, Inc., 5435 Burnet Road, 78756, (512) 451-6464, (800) 332-7250 (TX only)
AUSTIN - Harrell Supply and Service, Inc., 1409 West Oltorf, 78704, (512) 442-5966
AUSTIN (ROUND ROCK) - Harrell Supply, 907c Interstate Highway 35, 78664, (512) 388-0866
CORPUS CHRISTI - Brand Appliance & Microwave, 2751 South Staples, 78404, (512) 854-1851
DALLAS - Pearsol Appliance Co., 3127 Main Street, 75226, (972) 939-0930
DALLAS - All Type Sales and Service Co., Inc., 2835 Irving Blvd., 75207, (214) 638-1170, (800) 717-1170
FT. WORTH - Ft. Worth Shaver and Appliance Center, 1012 West 7th Street, 76102, (817) 335-9970
HOUSTON - Brand Service Center, 5727 Richmond Avenue, 77057, (713) 782-8910
HOUSTON - Brand Service Center, 1970 FM 1960, 77090, (713) 537-7795
LAREDO - Rubio Electric, 1719 San Bernardo, 78040, (214) 722-3908
LONGVIEW - Toys and Things, 918 NW Loop 281, 75604, (903) 759-3939
LUBBOCK - Minter's, 4409 50th Street, 79414, (806) 799-3170
LUFKIN - STS Audio and Video, 1505 South First Street, 75901, (409) 639-4529
MC ALLEN - All-In-One Repair Shop, 2313 Lark Avenue, 78504, (210) 682-8858
Midland - Midland Tool Specialty, 918 South Main, 79701, (915) 682-4647, (800) 499-0755
Pasadena - Larry's TV Service, 3520 Fairmont Parkway, 77504, (713) 998-0122, (800) 244-0281
Roma - True Value Hardware, 1004 E. Highway 83, (210) 849-1322
SAN ANTONIO - Brand Service Center, 7065 San Pedro Avenue, 78216, (210) 344-8577
SEYMOUR - Western Auto, 211 N. Main Street, 76308, (817) 888-3980
TEMPLE - Master Tech Repairs, 2819 West Avenue North, 76504, (817) 773-8991
VICTORIA - Tom's Video Service, 211 East Anaquea, 77901, (512) 576-0664, (800) 433-0664
WICHITA FALLS - Burke's Appliance Service, 2410 10th Street, 76309, (817) 723-6211

UTAH

OREM - The Mending Shed, 1735 South State Street, 84058, (801) 225-8012, (800) 339-9297
SALT LAKE CITY - Appliance Service Center, Inc., 210 East 6th South, 84111, (801) 328-9703

VERMONT

RUTLAND - Appliance Service Center Ltd., 152 Woodstock Avenue, 05701, (802) 773-8917

VIRGINIA

FREDERICKSBURG - Logan Electric Service, Inc., 98 Industrial Drive, 22408, (540) 898-8873
HARRISONBURG (PENN LAIRD) - J.L. Maintenance & Repair, Inc., Route 2, Box 308, 22846, (540) 289-9844
NEWPORT NEWS - Commonwealth Electric Shaver Sales & Service, Inc., 10105 Jefferson Ave., 23605, (757) 595-6712
NORFOLK - Commonwealth Electric Shaver Sales & Service, Inc., 6612 E. Virginia Beach Blvd., 23502, (804) 461-4475
ROANOKE - Commonwealth Shaver & Appliance Service, 5524 Williamson Road, NW, 24012, (540) 366-6038
SOUTH BOSTON - South Boston True Value, 307 Broad Street, 24592, (804) 572-6666
VIENNA - Appliance Fix-It, 8455 Tyco Road, 22182, (703) 893-1234
WINCHESTER - Battery Mart of Winchester, Inc., 1 Battery Dr., 22601, (703) 655-0065
WOODBRIIDGE - Baker's Appliance, 13314 Occoquan Road, 22191, (703) 490-5605

WASHINGTON

SEATTLE - Ajax Electric, 2911 First Avenue South, 98134, (206) 622-9945
SEATTLE (BELLEVUE) - Action Small Appliance Service, 1500 145th Place, SE, 98007, (206) 643-9806
SPOKANE - SPARCO, West 45 2nd Avenue, 99204, (509) 824-8965
SPOKANE - SPARCO, N. 1119 Pines Rd., 99206, (509) 922-9666

WEST VIRGINIA

BECKLEY - Jerry's Detectors, Vacuum & Appl. Svc., 411 Second Street, 25801, (304) 253-3521
CHARLESTON - Sneed's Vacuum & Sewing Center, 2614 7th Avenue, 25312, (304) 744-3670, (800) 245-8048 (WV only)
HARRISVILLE - Western Auto, 1107 E. Main St., 26362, (304) 643-2226
HUNTINGTON - Mike's Appliance and Service, 212 20th Street, 25703, (304) 522-0737
MARTINSBURG - Battery Mart, 1161-3 Winchester Avenue, 25401, (304) 267-7033, (800) 464-7918
WHEELING - Fast Service Center, 1058 Main Street, 26003, (304) 232-5561 (800) 874-4090

WISCONSIN

APPLETON - G/Tech Electric Tool & Housewares Service, 600 W. College Ave., 54911, (414) 739-6064, (800) 400-6064
GREENBAY - Kastle Carts, Inc., 2301 N. Irwin Ave., 54313, (414) 465-6121
LACROSSE - Paul's Shaver Service, 1224 Caledonia Street, 54603, (608) 782-6291
MADISON (MONONA) - Kiefer's Shaver and Appliance, 4511 Monona Drive, 53716, (608) 221-3322
MAUMETTE - Della Do-It Center, W 1536 Highway 41, 54143, (715) 732-1768
MILWAUKEE - Brand Appliance Repair, Inc., 3707 North 92nd Street, 53222, (414) 461-0440
MILWAUKEE - Brand Appliance Repair, Inc., 6000 W. Oklahoma Street, 53219, (414) 541-4340



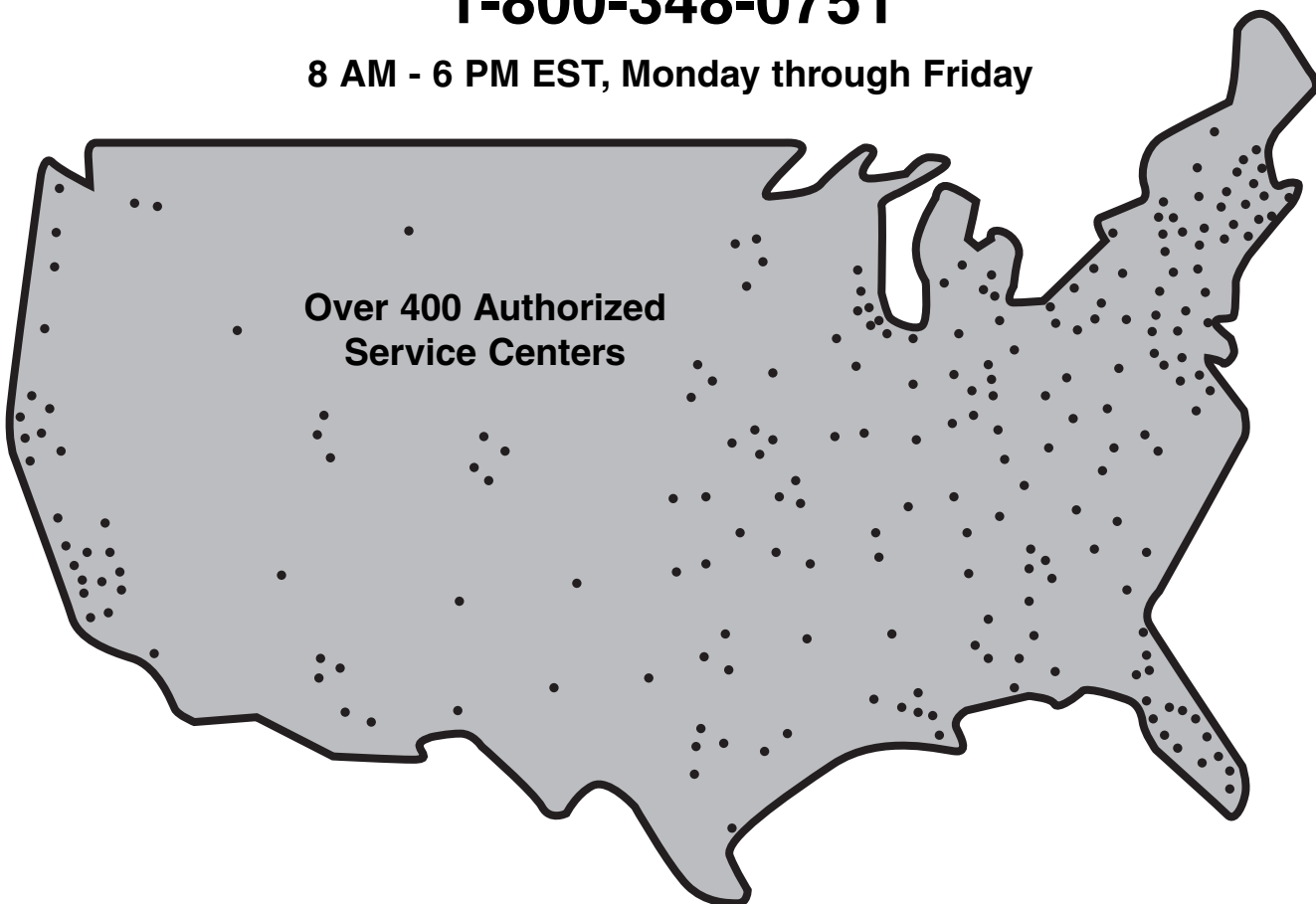
Do Not Return Your Vehicle to the Store

If you are missing parts or need assistance, please call us toll-free:

Power Wheels® Consumer Relations

1-800-348-0751

8 AM - 6 PM EST, Monday through Friday



Or contact your local Power Wheels® Authorized Service Center.

For the location nearest you, refer to the
Authorized Service Center list in this manual.

Fisher-Price, Inc., a subsidiary of Mattel, Inc., East Aurora, New York 14052, U.S.A.
©2000 Mattel, Inc. All Rights Reserved.