



Battery Instructions

Please read this manual and save it with your original sales receipt.

**Adult assembly is required.
Phillips Screwdriver is needed
for some battery configurations.**

Questions? We'd like to hear from you. Call Power Wheels® Consumer Affairs, toll free at **1-800-348-0751**, 8 AM - 5 PM EST Monday through Friday.

www.fisher-price.com

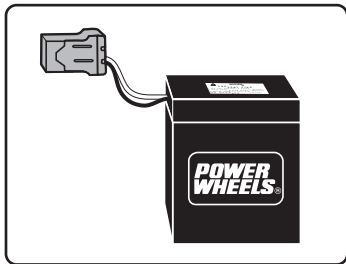


Table of Contents

Warnings and Caution	2
Getting Started	3
6 Volt (Standard) Vehicles Only	4
Super 6 and 12 Volt Vehicles	5
Charging the Battery	9
Battery Use and Care	14
Battery Disposal	15
Statement of Limited Warranty	16

WARNING

- Never alter this vehicle or its electrical system in any way. Alterations could cause a fire resulting in injury and could also ruin the electrical system.
- Use of the wrong type battery or charger could cause a fire or explosion, resulting in serious injury.
- Use of Power Wheels® components in products other than Power Wheels® vehicles could cause overheating, fire or explosion.
- The battery must be handled by adults only. The battery is heavy and contains sulfuric acid (electrolyte). Dropping the battery could result in serious injury.
- Never lift or carry the battery by the wires or connector. This can damage the battery and possibly cause a fire resulting in injury. Lift and carry the battery by the case only.
- Read the cautions on the back panel of the battery.
- Never allow children to charge the battery. Battery charging must be done by adults only. A child could be injured by the electricity involved in charging the battery.
- Examine the battery, charger and their connectors for excessive wear or damage each time you charge the battery. If damage or excessive wear is detected, do not use the vehicle until you have replaced the worn or damaged part as it could possibly cause a fire resulting in injury.

CAUTION

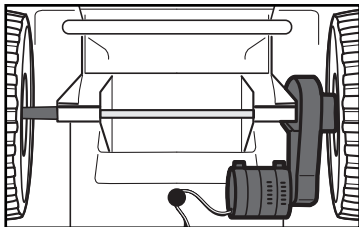
Use the charger in dry locations only.

Getting Started

To determine which type of vehicle you own, look at the underside of your vehicle and count the number of motors and gear boxes. (In most cases, the motors and gear boxes are located near the rear wheels.) Refer to the instructions in this booklet specific to your vehicle type.

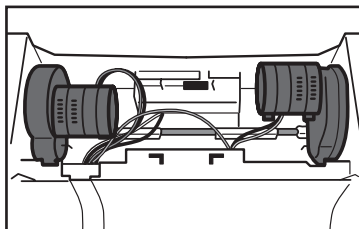
6 Volt (Standard) Vehicle - One Motor / One Gear Box

Requires one Power Wheels® 6 volt battery with built-in thermal fuse for operation. See page 4 for further instructions.



Super 6 Volt Vehicle - Two Motors / Two Gear Boxes

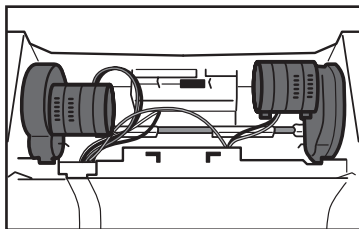
Requires one Power Wheels® 6 volt battery with built-in thermal fuse for operation. See page 4 for further instructions.



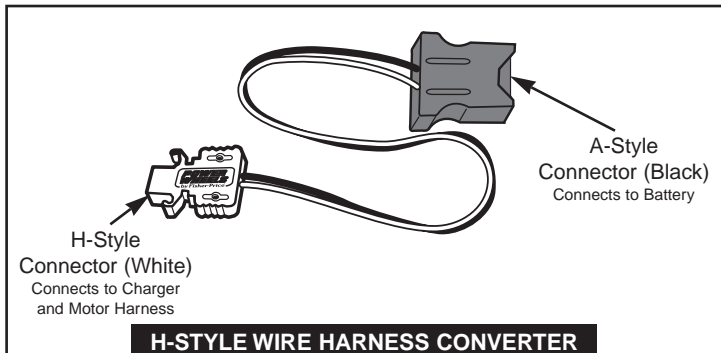
12 Volt Vehicle - Two Motors / Two Gear Boxes

Requires two Power Wheels® 6 volt batteries with built-in thermal fuses for operation. See page 5 for further instructions.

Note: We recommend replacing batteries in a 12 Volt vehicle as a set. Use of an old battery with a new battery can shorten battery life and decrease vehicle run time.



6 Volt (Standard) Vehicles Only



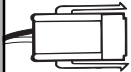
- Your new Power Wheels® battery has a built-in, self-resetting thermal fuse and an A-style connector. The A-style connector on this battery is not immediately compatible with the H-style connectors on your vehicle's motor harness and charger. To join the A-style connector on the battery to the H-style connectors on your vehicle or its charger, you must use the **H-STYLE WIRE HARNESS CONVERTER** (included). The H-Style Wire Harness Converter has an A-style connector (black) at one end, and an H-style connector (white) at the other.

See "Charging the Battery" on pages 9, 10, 11 14 and 15 for detailed instructions for using the H-Style Wire Harness Converter to charge your battery and for operation of your 6 Volt (Standard) vehicle.

Super 6 and 12 Volt Vehicles

What Type of Motor Harness Connector Does Your Vehicle Have?

H-Style Motor Harness Connector



If your Super 6 Volt or 12 Volt vehicle is equipped with a white, H-style motor harness connector, **do not charge this battery or install it in your vehicle. Do not use the H-Style Wire Harness Converter that came with this battery.**



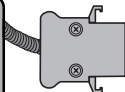
WARNING

Prevent Fires and Injuries

Take your vehicle to a Power Wheels® authorized service center to replace the electrical connectors and repair the wiring.

Remove any old battery(ies) from your vehicle and call Power Wheels® Consumer Affairs toll-free at **1-800-348-0751** for important information regarding a recall which affects your vehicle's electrical system. Fisher-Price® will provide information and materials to upgrade your vehicle's entire electrical system, free of charge.

Motor Harness Connector with Blue Cover



If your vehicle's motor harness connector is equipped with a connector cover as pictured above this battery is not immediately compatible with the connectors on your vehicle's motor harness and charger. To join the connector on this new battery to your vehicle's motor harness or charger connector, you must use the **H-STYLE WIRE HARNESS CONVERTER** (included). You must also remove the black connector cover from your old battery(ies) and re-assemble it on the H-style end of the H-Style Wire Harness Converter. See page 6 for detailed instructions on removal and re-assembly of the connector cover(s).

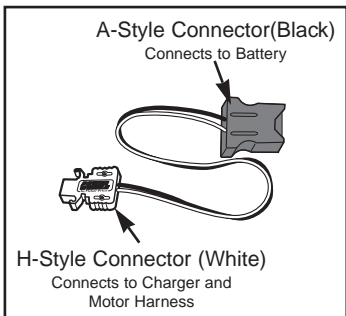
A-Style Motor Harness Connector



If your vehicle has a connector that looks like the one pictured above, this battery is ready for use in your vehicle. See pages 9, 10, 13-15 for battery charging information.

Super 6 and 12 Volt Vehicles

Motor Harness Connector with Blue Cover



H-STYLE WIRE HARNESS CONVERTER

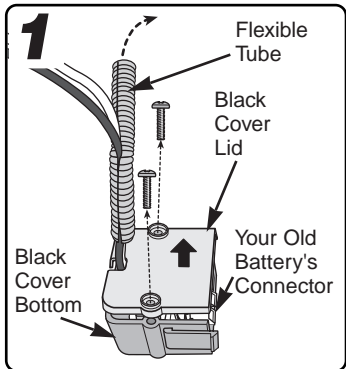
Your new Power Wheels® battery has a built-in, self-resetting thermal fuse and an A-style connector. The A-style connector on this battery is not immediately compatible with the H-style connectors and connector covers on your vehicle's motor harness and charger. To join the A-style connector on this battery to the H-style connectors and connector covers on your vehicle or its charger, you must use the **H-STYLE WIRE HARNESS CONVERTER** (included). The H-Style Wire Harness Converter has an A-style connector (black) at one end, and

an H-style connector (white) at the other.

The connector(s) on your old battery(ies) should be encased in a black cover. Follow these instructions to remove the black cover from your old battery connector(s) and re-assemble it to the H-style connector (white) on the H-Style Wire Harness Converter.

If you have difficulty making this battery compatible with your vehicle's electrical connector system, please contact your Power Wheels® Authorized Service Center. For the location of the Authorized Service Center nearest to you, please consult the listing in your vehicle Owner's Manual or call **1-800-348-0751**.

Super 6 and 12 Volt Vehicles

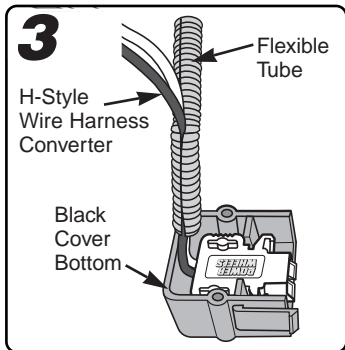
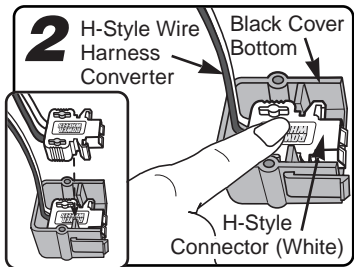


Note to 12 Volt Vehicle Owners:

Your vehicle requires two batteries and H-Style Wire Harness Converter for operation. Stack the two H-style connectors on the H-Style Wire Harness Converter (one included with each new battery) and press to join. (See inset.)

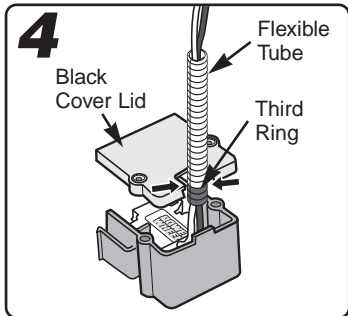
- With the **Power Wheels® logo(s) facing up**, fit the H-style connector(s) on the converter(s) into the black cover bottom. Firmly press the H-style connectors into the black cover bottom.

- Loosen the screws in the black cover lid on your old battery connector using a Phillips screwdriver.
- Remove the screws, cover bottom and lid, and flexible tube from the old battery's connector.
- Dispose of the used battery properly. See page 15 for important information.

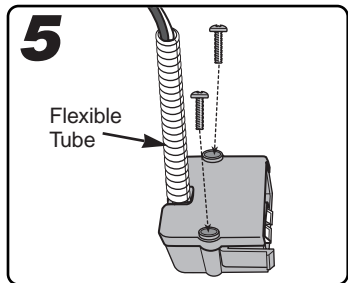
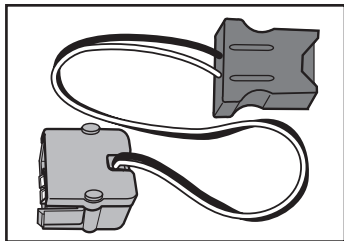


- Open the flexible tube along its side seam and fit the wire harness converter wires inside the tube.
- Do not slide the tube all the way down to the black cover bottom.

Super 6 and 12 Volt Vehicles



- Pull on the flexible tube to make sure it is secured inside the black cover. If the tube slides away from the black cover, remove the screws and black cover lid and repeat steps 3 through 5.



Conversion of the H-Style Wire Harness Converter is complete. See battery charging instructions on pages 9, 10, 12, 14 and 15. If you've purchased extra batteries and need additional black cover lids, bottoms, flexible tubes or screws, please call Power Wheels® Consumer Affairs at 1-800-348-0751.

- Lower the black cover lid onto the black cover bottom and press into place.
- Insert the screws into the black cover lid and tighten with a Phillips screwdriver. Do not over-tighten.

Charging the Battery

WARNING

PREVENT FIRE!

- Never alter this vehicle or its electrical system in any way. Alterations could cause a fire resulting in injury and could also ruin the electrical system.
- Use of the wrong type battery or charger could cause a fire or explosion, resulting in serious injury.
- The battery must be handled by adults only. The battery is heavy and contains sulfuric acid (electrolyte). Dropping the battery could result in serious injury.
- Never lift or carry the battery by the wires or connector. This can damage the battery and possibly cause a fire resulting in injury. Lift and carry the battery by the case only.
- Never allow children to charge the battery. Battery charging must be done by adults only. A child could be injured by the electricity involved in charging the battery.
- Examine the battery, charger and their connectors for excessive wear or damage each time you charge the battery. If damage or excessive wear is detected, do not use the vehicle until you have replaced the worn or damaged part as it could possibly cause a fire resulting in injury.

Charging the Battery

About Thermal Fuses

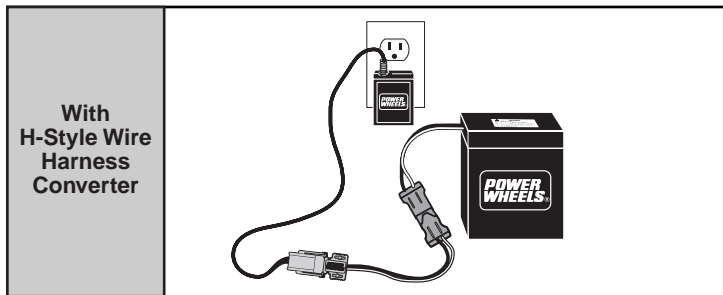
This Power Wheels® battery is equipped with a built-in, self-resetting thermal fuse. The thermal fuse is a safety device which automatically "trips" and shuts down operation of the vehicle if the vehicle is overloaded or the driving conditions too severe. Once a fuse has "tripped", it will automatically reset itself after approximately 25 seconds and allow the vehicle to resume normal operation. To avoid repeated automatic shutdowns, do not overload the vehicle by exceeding the maximum weight capacity as listed in your Owner's Manual or by towing anything behind the vehicle. Avoid severe driving conditions, such as driving up very steep hills or running into fixed objects, which can cause the wheels to stop spinning while power is still being supplied to the motors. If a new thermal fuse continually trips, please contact your local Power Wheels® Authorized Service Center. For the location of the Authorized Service Center nearest to you, please consult the listing in your vehicle Owner's Manual or call **1-800-348-0751**.

To Charge

- Before charging a battery, examine the battery case for cracks and other damage which may cause sulfuric acid (electrolyte) to leak during the charging process. If damage is detected, do not charge the battery or use it in your vehicle. Battery acid is very corrosive and can cause severe damage to surfaces it contacts.
- Do not charge the battery on a surface which could be damaged by the acid contained inside the battery. Take precautions to protect the surface on which you charge the battery.
- Use only the Power Wheels® charger that came with your vehicle, or a replacement Power Wheels® charger of the same specifications, to charge your Power Wheels® batteries.
- The battery must be upright while charging.

Charging the Battery

6 Volt (Standard) Vehicles



- Use the H-Style Wire Harness Connector (included) to bridge the connectors on your battery and charger. Plug the A-style connector on the wire harness converter into the A-style connector on the battery. Plug the H-style connector on the other end of the wire harness converter into the H-style connector on your charger. Make sure all connectors are completely joined.
- Plug the charger into a standard wall outlet. Charge the battery for at least 18 hours, but not longer than 30 hours.

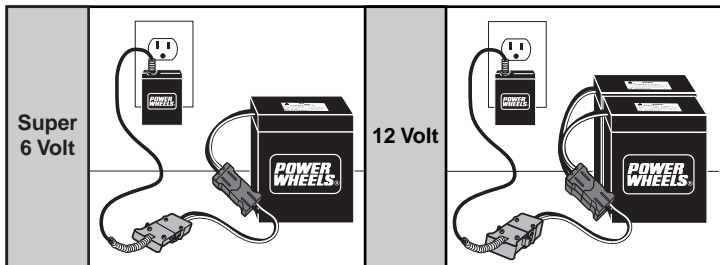
Note: If power flow to the wall outlet is controlled by a switch, make sure the switch is ON.

- Once the battery is charged, disconnect the battery and charger connectors and unplug the charger from the wall outlet.
- Use the H-Style Wire Harness Converter to connect the battery to your vehicle's H-style motor harness connector, too. Leave the A-style connector on the wire harness converter plugged into the connector on the battery. Plug the H-style connector on the other end of the wire harness converter into your vehicle's motor harness connector. Consult your vehicle Owner's Manual for detailed battery installation, vehicle operation and use instructions.

Charging the Battery



Super 6 and 12 Volt Vehicles with Connector Covers



- Use the H-Style Wire Harness Converter included to bridge the connectors on your battery(ies) and charger. Plug the A-style connector on the wire harness converter into the A-style connector(s) on your new battery(ies). Plug the H-style connector (with black cover) at the other end of the wire harness converter into the H-style connector cover (with white cover) on your charger. Make sure all connectors are completely joined.
- Plug the charger into a standard wall outlet. Charge the battery for at least 18 hours, but not longer than 30 hours.

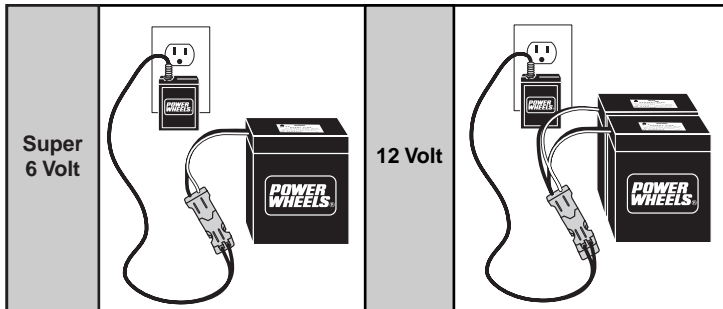
Note: If power flow to the wall outlet is controlled by a switch, make sure the switch is ON.

- Once the battery is charged, disconnect the battery and charger connectors and unplug the charger from the wall outlet.
- Use the H-Style Wire Harness Converter to connect the battery(ies) to your vehicle's motor harness connector, too. Leave the A-style connector(s) on the wire harness converter(s) plugged into the connector(s) on the battery(ies). Plug the H-style connector (with black cover) on the other end of the wire harness converter into your vehicle's motor harness connector (with blue cover). Consult your vehicle Owner's Manual for detailed battery installation, vehicle operation and use instructions.

Charging the Battery



Super 6 and 12 Volt Vehicles with A-Style Connectors



- Plug the battery and charger connectors together. Make sure the connectors are completely joined.
- Plug the charger into a standard wall outlet. Charge the battery for at least 18 hours, but not longer than 30 hours.

Note: If power flow to the wall outlet is controlled by a switch, make sure the switch is ON.

- Once the battery is charged, disconnect the battery and charger connectors and unplug the charger from the wall outlet. Consult your vehicle Owner's Manual for detailed battery installation, vehicle operation and use instructions.

Note: Discard the H-style Wire Harness Converter included with this battery. It is not for use with Super 6 or 12 Volt vehicles equipped with A-style connectors.

Battery Use and Care

If a battery leak develops, avoid contact with the leaking acid and place the damaged battery in a plastic bag. See information below for proper disposal.

If acid comes in contact with skin or eyes, flush with cool water for at least 15 minutes and call a physician.

If acid is internally ingested, give water, milk of magnesia or egg whites immediately and call a physician. Never give emetics or induce vomiting. Call a physician.

- **Charge a new battery for at least 18 hours before you use it in your vehicle for the first time.** Never charge the battery longer than 30 hours. Overcharging or undercharging the battery may shorten battery life and decrease vehicle running time.
- After the first charge, recharge the battery after each use for at least:
 - 18 hours for a 6 Volt (Standard) vehicle;
 - 14 hours for a Super 6 or 12 Volt vehicle.
- You do not need to remove the battery from your vehicle to recharge it.
- The charger is not a toy.
- The battery must be upright while charging.
- Do not short circuit the battery's supply terminals.
- Do not allow the battery to run down completely before charging.
- Charge the battery before storing the vehicle.
- Charge the battery at least once per month, even if the vehicle has not been used.
- Leaving the battery in a discharged condition will ruin it.

Battery Use and Care

- Always remove an exhausted battery from the vehicle. Battery leakage and corrosion can damage the vehicle.
- Do not store the battery on a surface which could be damaged by the acid contained in the battery. Take precautions to protect the surface on which you store the battery.
- Do not store the battery in temperatures above 75° F or below -10° F.
- Prevent the battery from moving freely inside the battery compartment. Always use the battery retainer to secure the battery in the battery compartment.
- Examine the battery, charger and their connectors for excessive wear or damage each time you charge the battery. If damage is detected, do not use the charger or the battery until you have replaced the worn or damaged part.

Battery Disposal



- Power Wheels® batteries are sealed lead-acid batteries. They must be recycled or disposed of in an environmentally sound manner.
- Do not dispose of a lead-acid battery in your regular, household trash. The incineration, landfilling or mixing of sealed lead-acid batteries with household trash is prohibited by law in most areas.
- Return exhausted batteries to a federal or state approved lead-acid battery recycler, such as a Power Wheels® authorized service center, or a local seller of automotive batteries. In Minnesota, call 1-800-348-0751 if further disposal information is required. Contact your local waste management officials for other information regarding the environmentally sound collection, recycling and disposal of lead-acid batteries.

Statement of Limited Warranty

This 6 month limited warranty covers the Power Wheels® 6 volt battery, purchased from Power Wheels® by the original purchaser, against defects in materials and workmanship.

This warranty covers normal use and does not cover the Power Wheels® battery if damaged by unreasonable use, neglect, accident, abuse, misuse, improper service or other causes not arising out of defect in materials or workmanship. Evidence of any attempt at consumer repair will void this warranty. This warranty does not cover, and is intended to exclude, any liability on the part of Power Wheels®, whether under this warranty or implied by law or any indirect or consequential damages for breach of warranty. Some states do not allow the exclusion or limitation so this limitation may not apply to you.

This warranty gives you specific legal rights, and you may also have other rights which may vary from state to state.

Please save your original sales receipt.



**Thank you for choosing Power Wheels® by Fisher-Price®.
For further information regarding safety, service or assembly
of your vehicle, please call Power Wheels® Consumer Affairs
toll-free at 1-800-348-0751.**

Fisher-Price

Fisher-Price, Inc., a subsidiary of Mattel, Inc.,
East Aurora, New York 14052 U.S.A.
©1998 Mattel, Inc. All Rights Reserved.
Fisher-Price and Power Wheels are U.S. trademarks of Mattel, Inc.

Printed in U.S.A.
74522pr-0920